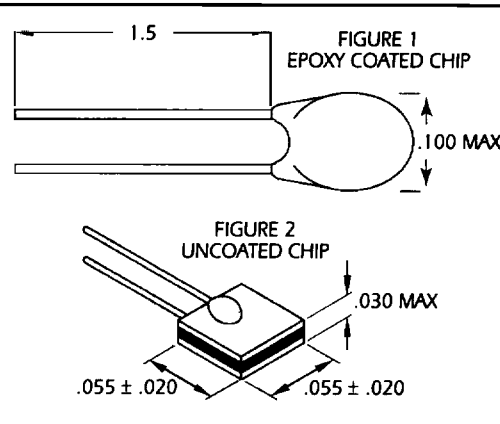
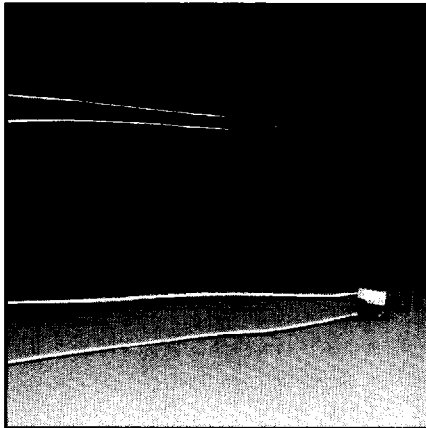


CHIP SERIES: UNCOATED OR EPOXY COATED



FEATURES
▪ Rapid response time
▪ Leads available insulated and uninsulated
▪ Thermistor available epoxy coated or uncoated
▪ Rated to 125° C
▪ D.C. 0.75 mW/° C minimum
▪ T.C. 15 sec. maximum

All illustration dimensions are in inches.

CHIP SERIES STANDARD NTC Thermistors are offered in a broad range of custom resistance values. Design engineers are offered a wide variety of applications usage in areas, such as: communications, medical, computer and fire detection and instrumentation test equipment; automotive and aerospace electronics and in other electric and electronic design devices.

LEADS

- Uninsulated leads are .008" dia., tinned copper for 1000 Ohms or less and tinned copper alloy for > 1000 Ohms.
- Also available with insulated leads .010" dia., nickel wire teflon insulated 1 1/2" long and furnished with 1/4" stripped ends or 0.016" and 0.020" tin-plated copper leads.

CHIP SERIES ELECTRICAL CHARACTERISTICS *10% Tolerance @ 25° C.			
Resis. at 25° C	R-T Curve	Uncoated Part Number	Epoxy Coated Part Number
OHMS		Figure 2	Figure 1
100	17	195-101CAG-A01	197-101CAG-A01
300	17	195-301CAG-A01	197-301CAG-A01
500	10A	195-501DAG-A01	197-501DAG-A01
1,000	10A	195-102DAG-A01	197-102DAG-A01
2,000	16	195-202LAG-A01	197-202LAG-A01
3,000	16	195-302LAG-A01	197-302LAG-A01**
5,000	16	195-502LAG-A01	197-502LAG-A01
10,000	16	195-103LAG-A01	197-103LAG-A01
20,000	16	195-203LAG-A01	197-203LAG-A01
30,000	18	195-303KAG-A01	197-303KAG-A01
50,000	1	195-503QAG-A01	197-503QAG-A01
100,000	1	195-104QAG-A01	197-104QAG-A01

* Also offered in tighter tolerances.

** Diameter of 3,000 ohm part is .120" max.