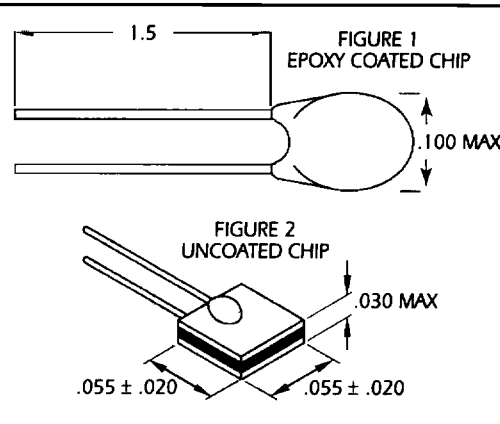
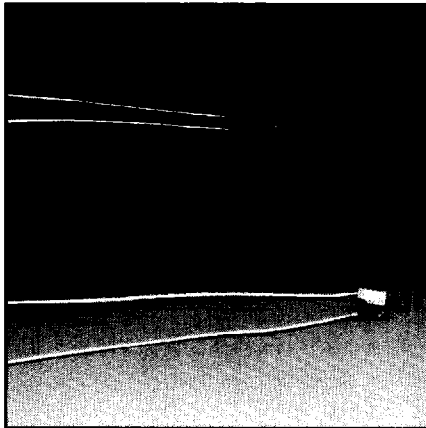


CHIP SERIES: UNCOATED OR EPOXY COATED



| FEATURES |
|---|
| ▪ Rapid response time |
| ▪ Leads available insulated and uninsulated |
| ▪ Thermistor available epoxy coated or uncoated |
| ▪ Rated to 125° C |
| ▪ D.C. 0.75 mW/° C minimum |
| ▪ T.C. 15 sec. maximum |

All illustration dimensions are in inches.

CHIP SERIES STANDARD NTC Thermistors are offered in a broad range of custom resistance values. Design engineers are offered a wide variety of applications usage in areas, such as: communications, medical, computer and fire detection and instrumentation test equipment; automotive and aerospace electronics and in other electric and electronic design devices.

LEADS

- Uninsulated leads are .008" dia., tinned copper for 1000 Ohms or less and tinned copper alloy for > 1000 Ohms.
- Also available with insulated leads .010" dia., nickel wire teflon insulated 1 1/2" long and furnished with 1/4" stripped ends or 0.016" and 0.020" tin-plated copper leads.

| CHIP SERIES ELECTRICAL CHARACTERISTICS *10% Tolerance @ 25° C. | | | |
|---|-----------|----------------------|--------------------------|
| Resis. at 25° C | R-T Curve | Uncoated Part Number | Epoxy Coated Part Number |
| OHMS | | Figure 2 | Figure 1 |
| 100 | 17 | 195-101CAG-A01 | 197-101CAG-A01 |
| 300 | 17 | 195-301CAG-A01 | 197-301CAG-A01 |
| 500 | 10A | 195-501DAG-A01 | 197-501DAG-A01 |
| 1,000 | 10A | 195-102DAG-A01 | 197-102DAG-A01 |
| 2,000 | 16 | 195-202LAG-A01 | 197-202LAG-A01 |
| 3,000 | 16 | 195-302LAG-A01 | 197-302LAG-A01** |
| 5,000 | 16 | 195-502LAG-A01 | 197-502LAG-A01 |
| 10,000 | 16 | 195-103LAG-A01 | 197-103LAG-A01 |
| 20,000 | 16 | 195-203LAG-A01 | 197-203LAG-A01 |
| 30,000 | 18 | 195-303KAG-A01 | 197-303KAG-A01 |
| 50,000 | 1 | 195-503QAG-A01 | 197-503QAG-A01 |
| 100,000 | 1 | 195-104QAG-A01 | 197-104QAG-A01 |

* Also offered in tighter tolerances.

** Diameter of 3,000 ohm part is .120" max.