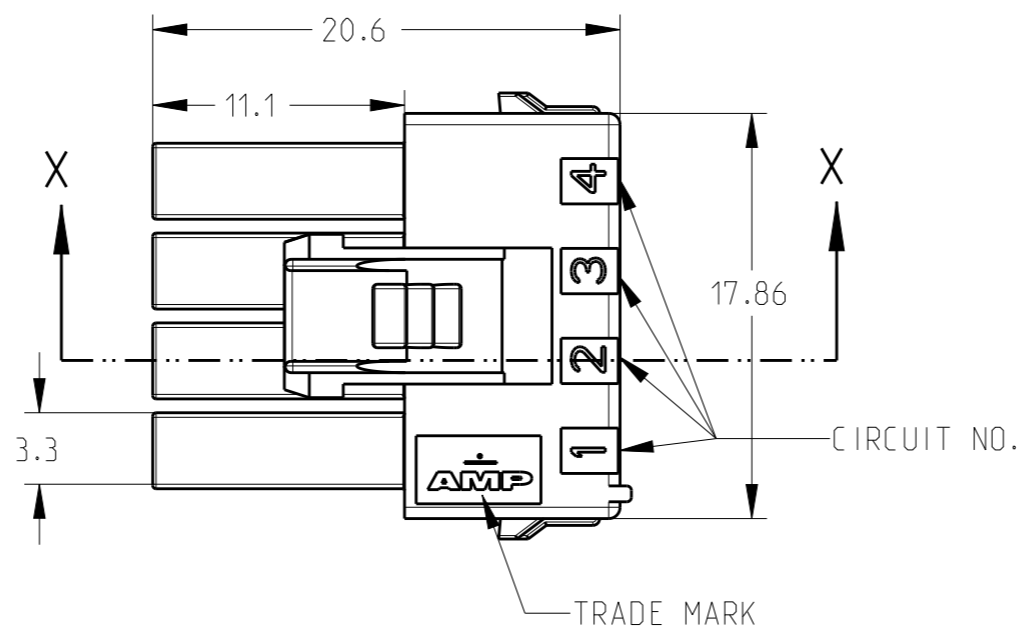
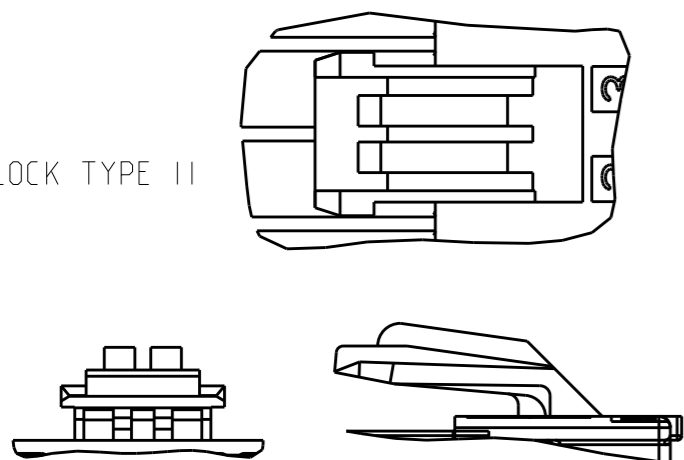


THIS DRAWING IS UNPUBLISHED. RELEASED FOR PUBLICATION 20
© COPYRIGHT 20 BY - ALL RIGHTS RESERVED.

REVISIONS

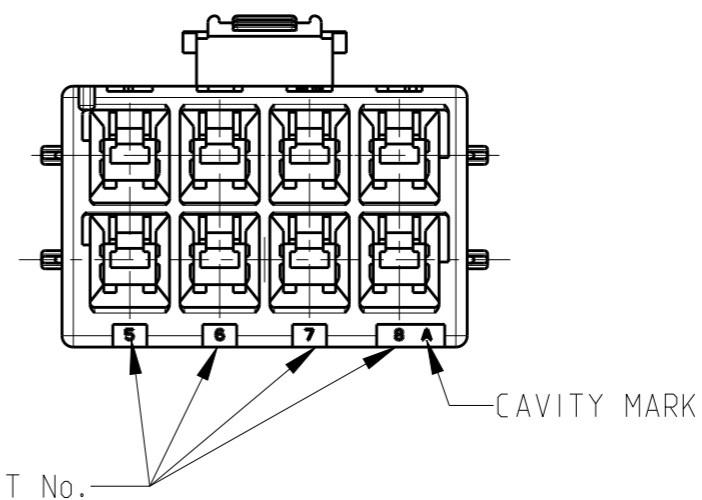
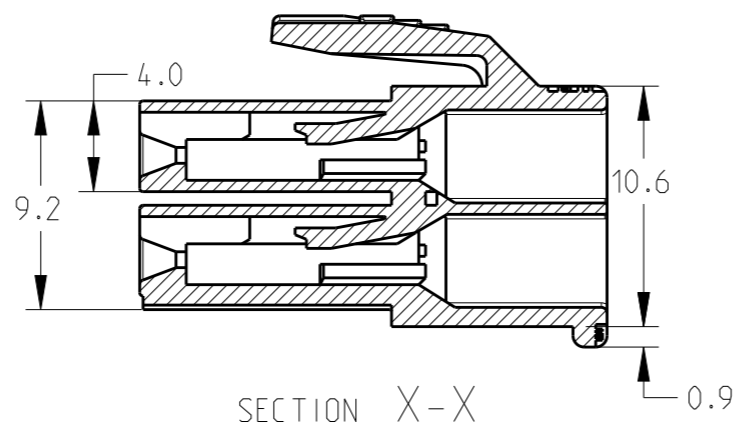
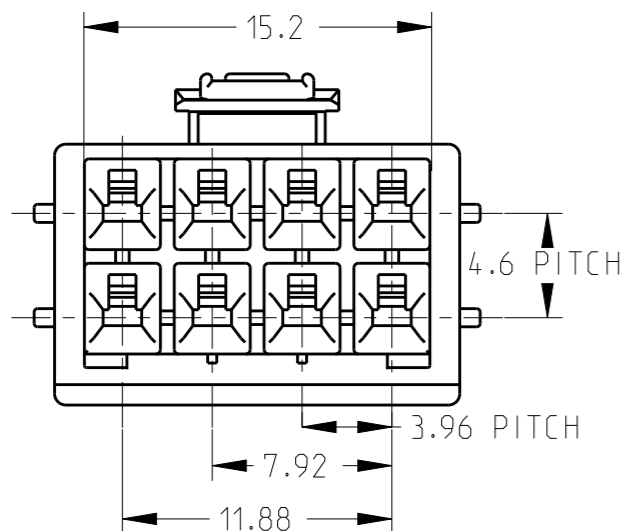
P	LTR	DESCRIPTION	DATE	DWN	APVD
A1		REVISED PER ECR-17-000605	15FEB2017	N.L	D.Z
B		REVISED PER ECR-19-009721	01JUL2019	M.G	D.Z

LOCK TYPE II




NOTES:

- THIS HOUSING ACCEPTS RECEPTACLE TERMINAL:
REC CONTACT:177915-[](#20-#16AW G)
177914-[](#26-#22AW G)
- MATING CONN. P/N
CAP HSG:1971600-[](FREE HANGING)
TAB CONTACT:177917-[](#20-#16AW G)
177916-[](#26-#22AW G)
- APPLICABLE PLATE P/N:177920-[]
- INSTRUCTION SHEET:411-5638
- MATERIAL: PA66 UL94V-0
- COMPLY WITH GLOW WIRE REQUIREMENT FOR PARTS OF NO-METALLIC MATERIAL SUPPORTING A CURRENT-CARRYING CONNECTOR DETAILED IN IEC60335-1, SECTION 30(GWT)



8	NATURAL	1971598-1
POS	HOUSING COLOR	P/N

THIS DRAWING IS A CONTROLLED DOCUMENT.		DWN SAI, CHEN 25SEP2009	 TE Connectivity											
DIMENSIONS: mm		CHK HAPYE WU 25AUG2009												
TOLERANCES UNLESS OTHERWISE SPECIFIED:		APVD JULIAN ZHOU 25SEP2009												
<table border="1"> <tr><td>0 PLC</td><td>±</td></tr> <tr><td>1 PLC</td><td>±0.5</td></tr> <tr><td>2 PLC</td><td>±0.3</td></tr> <tr><td>3 PLC</td><td>±</td></tr> <tr><td>4 PLC</td><td>±</td></tr> <tr><td>ANGLES</td><td>±</td></tr> </table>		0 PLC			±	1 PLC	±0.5	2 PLC	±0.3	3 PLC	±	4 PLC	±	ANGLES
0 PLC	±													
1 PLC	±0.5													
2 PLC	±0.3													
3 PLC	±													
4 PLC	±													
ANGLES	±													
MATERIAL	FINISH	APPLICATION SPEC 114-5175	NAME POWER DBL LOCK CONN 3.96mm PITCH 8 POS PLUG HOUSING, DBL ROW (GWT)	RESTRICTED TO										
6		WEIGHT -	SIZE A3	CAGE CODE -										
CUSTOMER DRAWING			DRAWING NO. 1971598	SCALE 3:1										
			SHEET 1 OF 1	REV B										