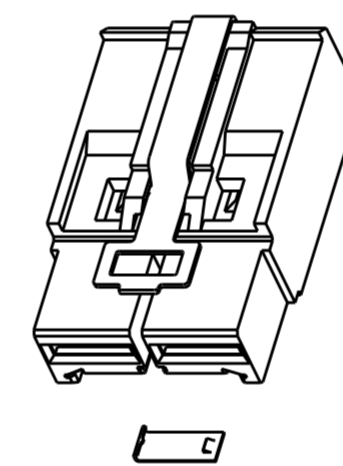
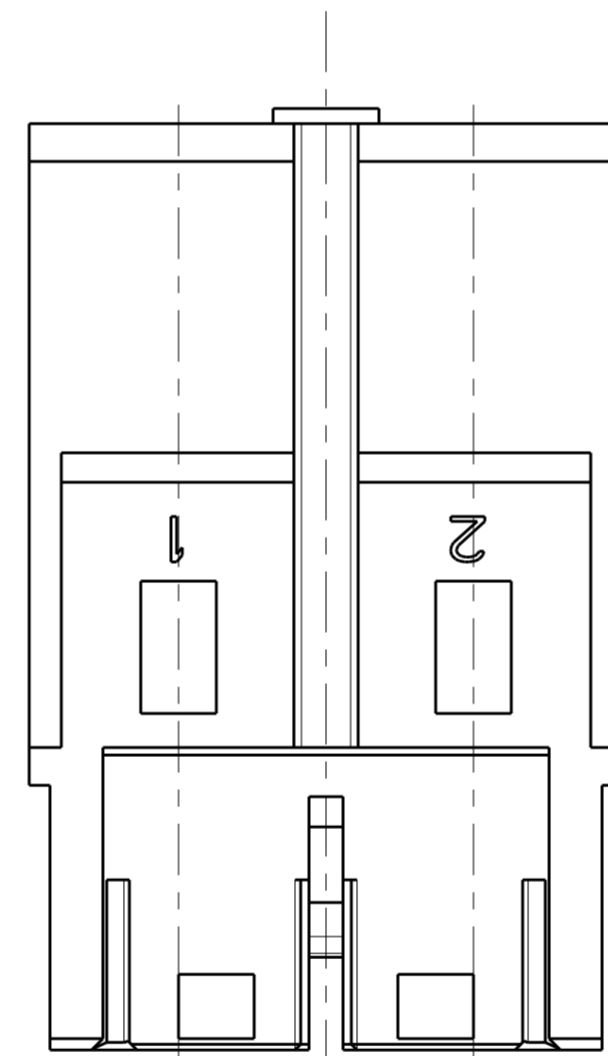
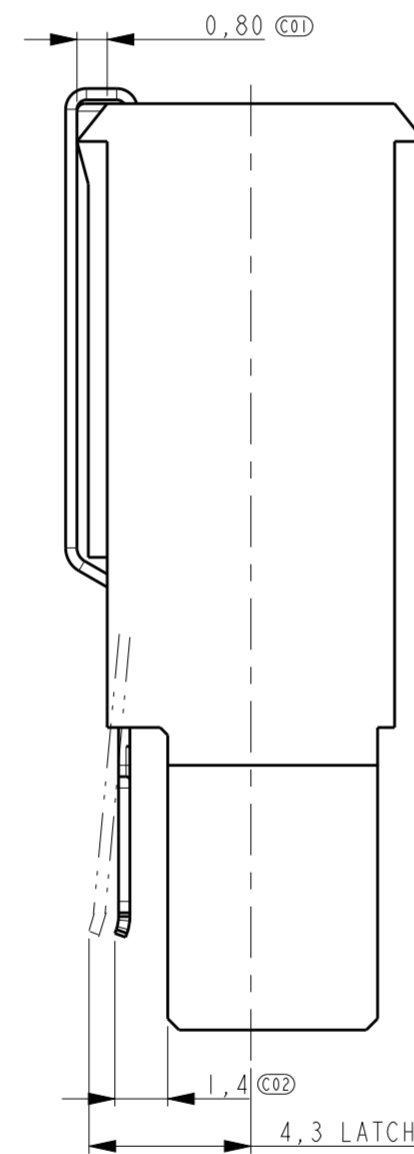
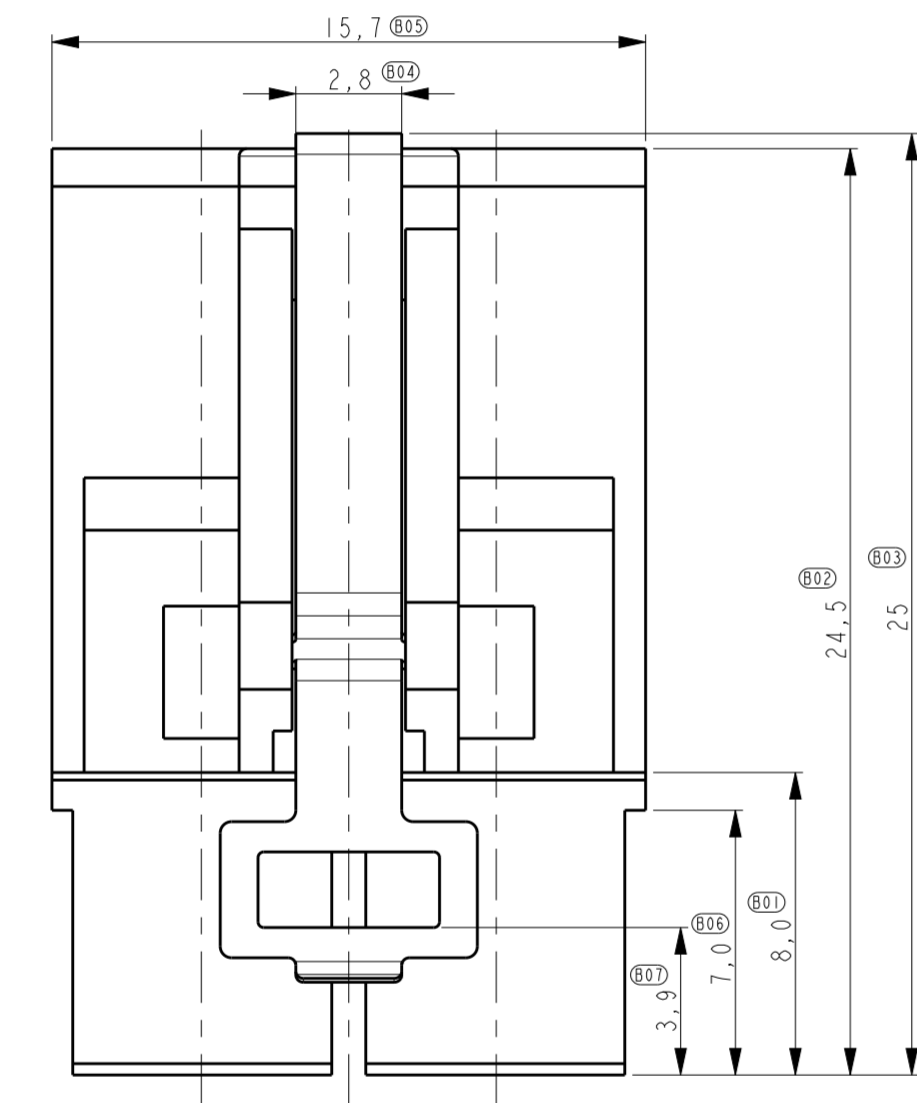
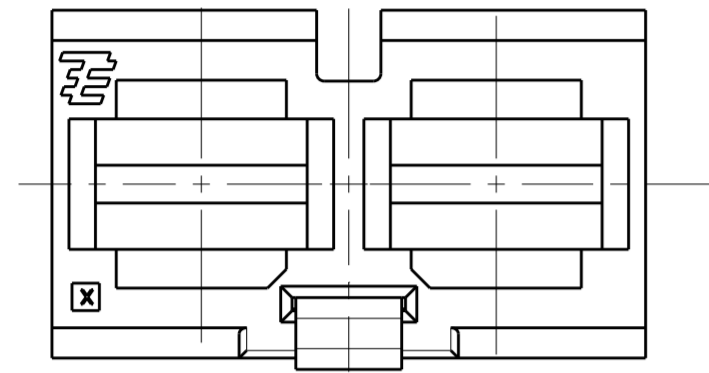


THIS DRAWING IS UNPUBLISHED. RELEASED FOR PUBLICATION
 © COPYRIGHT - TE CONNECTIVITY ALL RIGHTS RESERVED.

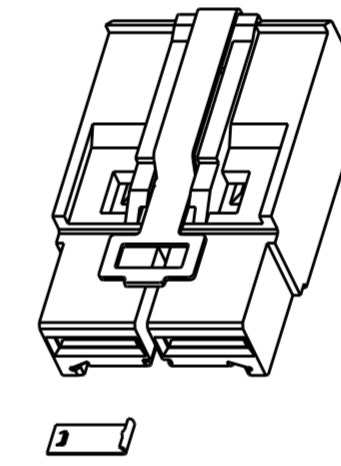
| LOC | DIST | REVISIONS | | | | | |
|-----|------|-----------|-----|-----------------------|-----------|-----|------|
| | | P | LTR | DESCRIPTION | DATE | DWN | APVD |
| H | - | B2 | | ADD -8 | 08JAN2019 | OL | SZ |
| | | B3 | | REV PER ECO-19-010762 | 12JUL2019 | OL | SZ |
| | | B3 | | REV PER ECO-19-010762 | 25JUL2019 | OL | SZ |

NOTES:

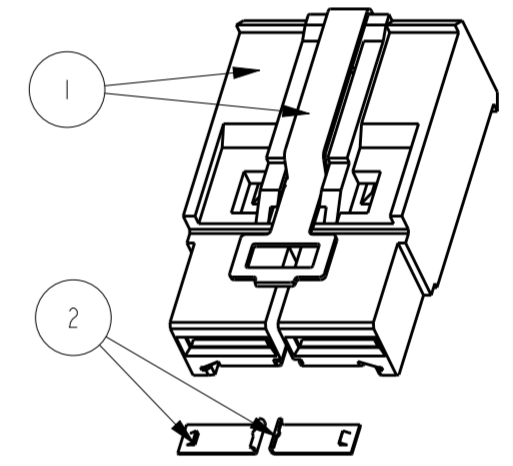
- 1 USE FOR (SILVER PLATED) STANDARD POWER TIMER CONTACTS .
FOR CONTACTS PARTNUMBERS SEE DWG. C-1355048 VERSION A
ALLOWED MAX WIRE SIZE 4 mm².
- 2 LOOSE PIECE PART NUMBER ITEM 2:1982298-2.



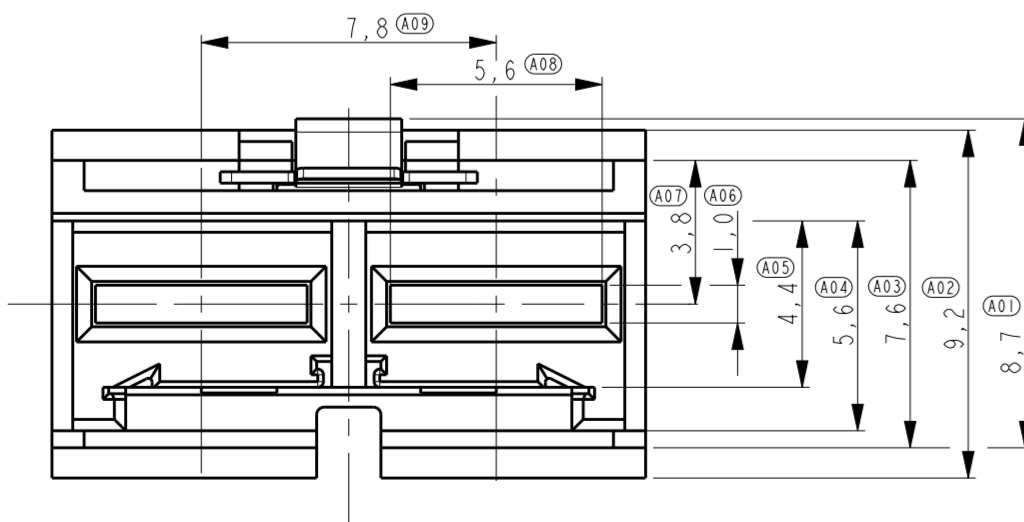
198299-1 WITH RIGHT CODING CONTACT



198299-2 WITH LEFT CODING CONTACT



198299-3 WITH TWO CODING CONTACTS



| 1982299-4 | 1982299-3 | 1982299-2 | 1982299-1 |
|-----------|-----------|-----------|-----------|
| - | 2 | 1 | 1 |
| 1 | 1 | 1 | 1 |

| QTY | DESCRIPTION | MATERIAL | FINISH | ITEM |
|-----|----------------|-------------------------------|--|------|
| 2 | CODING CONTACT | COPPER ALLOY | 0.8 um Au IN CONTACT PLACE OVER 1.2 um Ni UNDERLAYER OVERALL | 2 |
| 1 | HOUSING LATCH | PA GF UL94V-0 STAINLESS STEEL | NA | 1 |

THIS DRAWING IS A CONTROLLED DOCUMENT.

DWN: R. Annokkee 13-feb-07
 CHK: R. Annokkee 13-feb-07
 APVD: J. Broeksteeg

NAME: R. Annokkee

PRODUCT SPEC: 108-19346

APPLICATION SPEC: 114-19110

WEIGHT: -

CUSTOMER DRAWING

SCALE: 5:1

SHEET 1 OF 2

REV B.3

STE TE Connectivity

ELCON Mini, 2-position cable connector metal latch, 4mm² max. wire

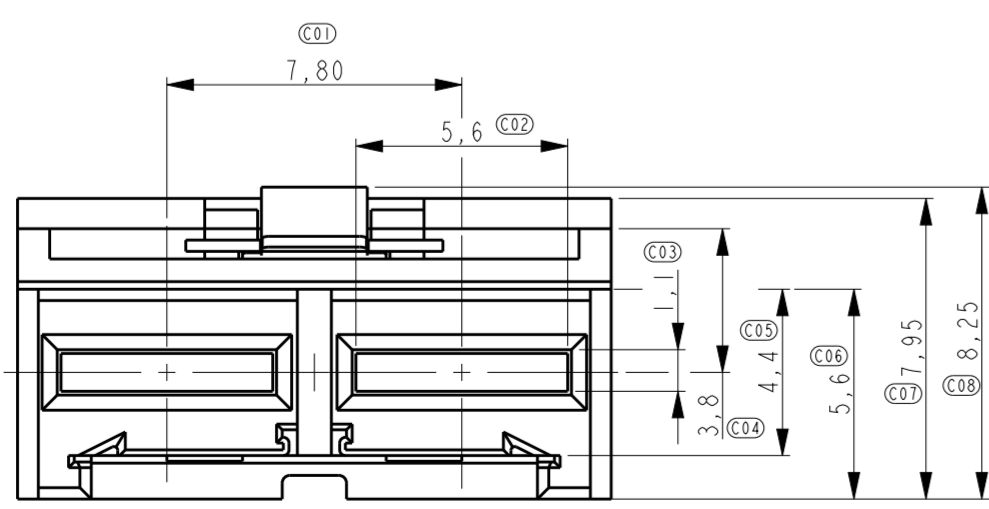
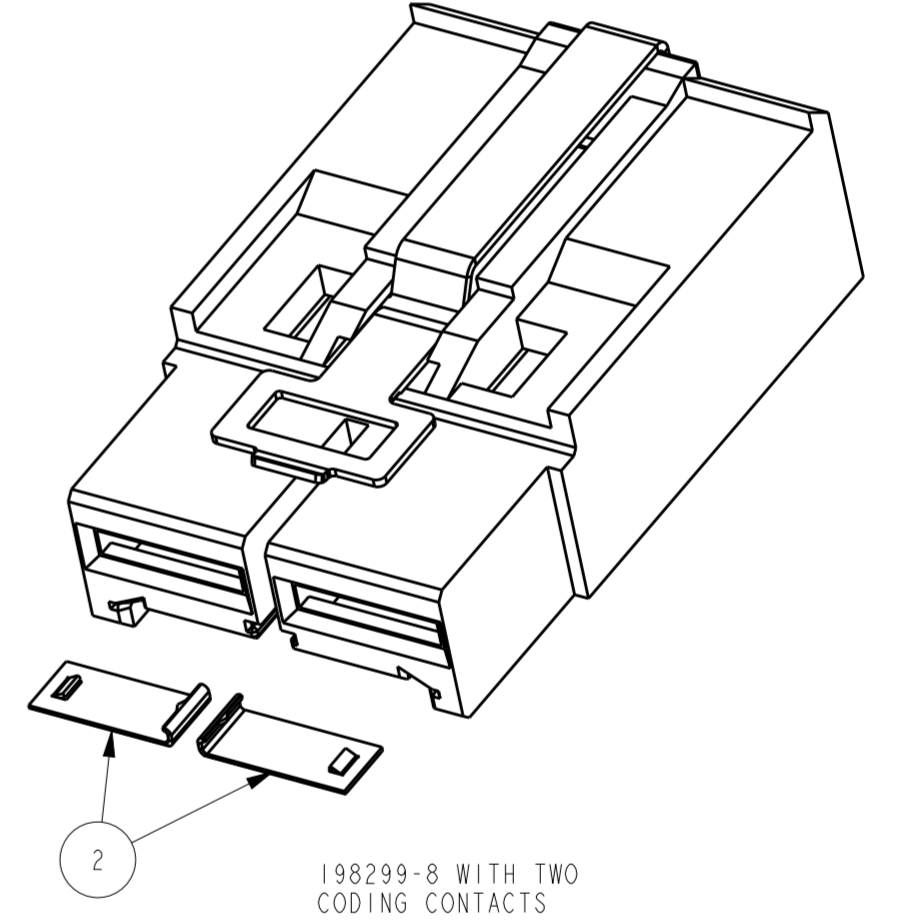
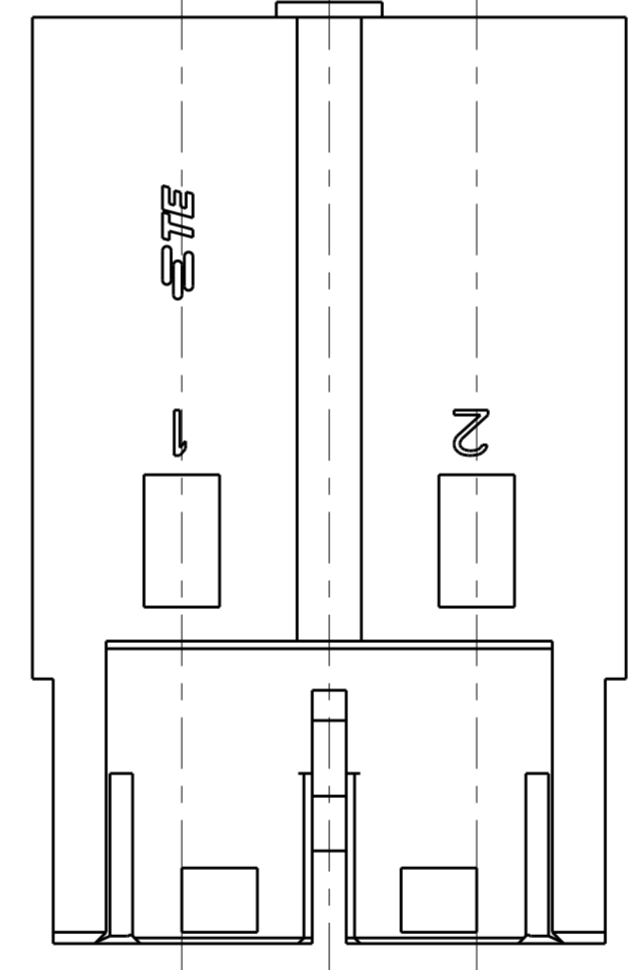
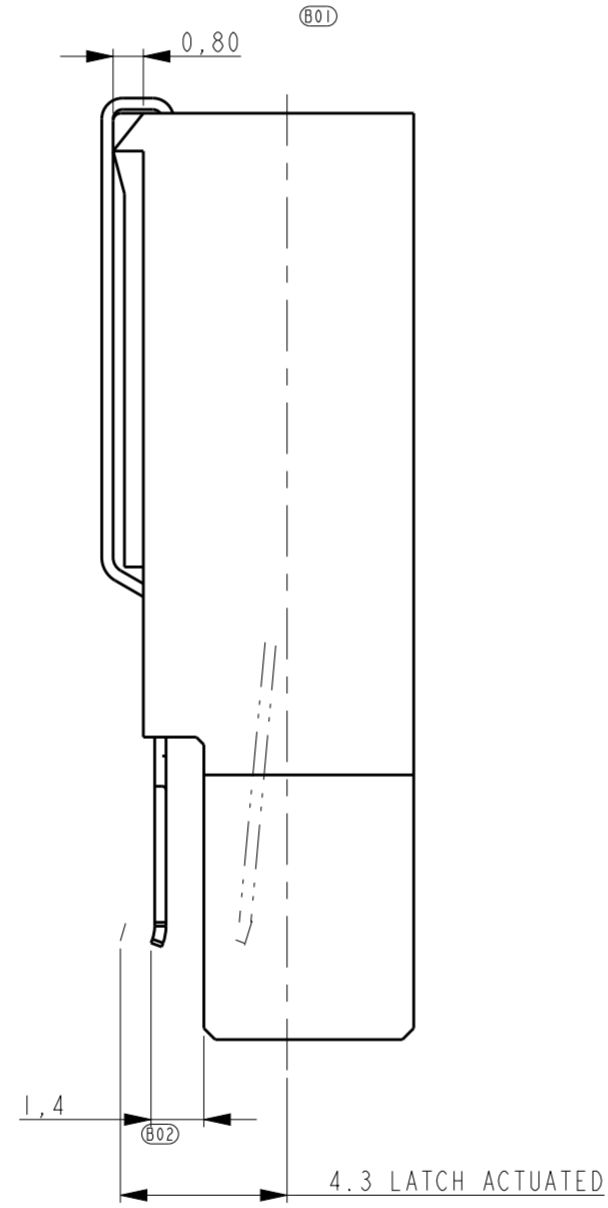
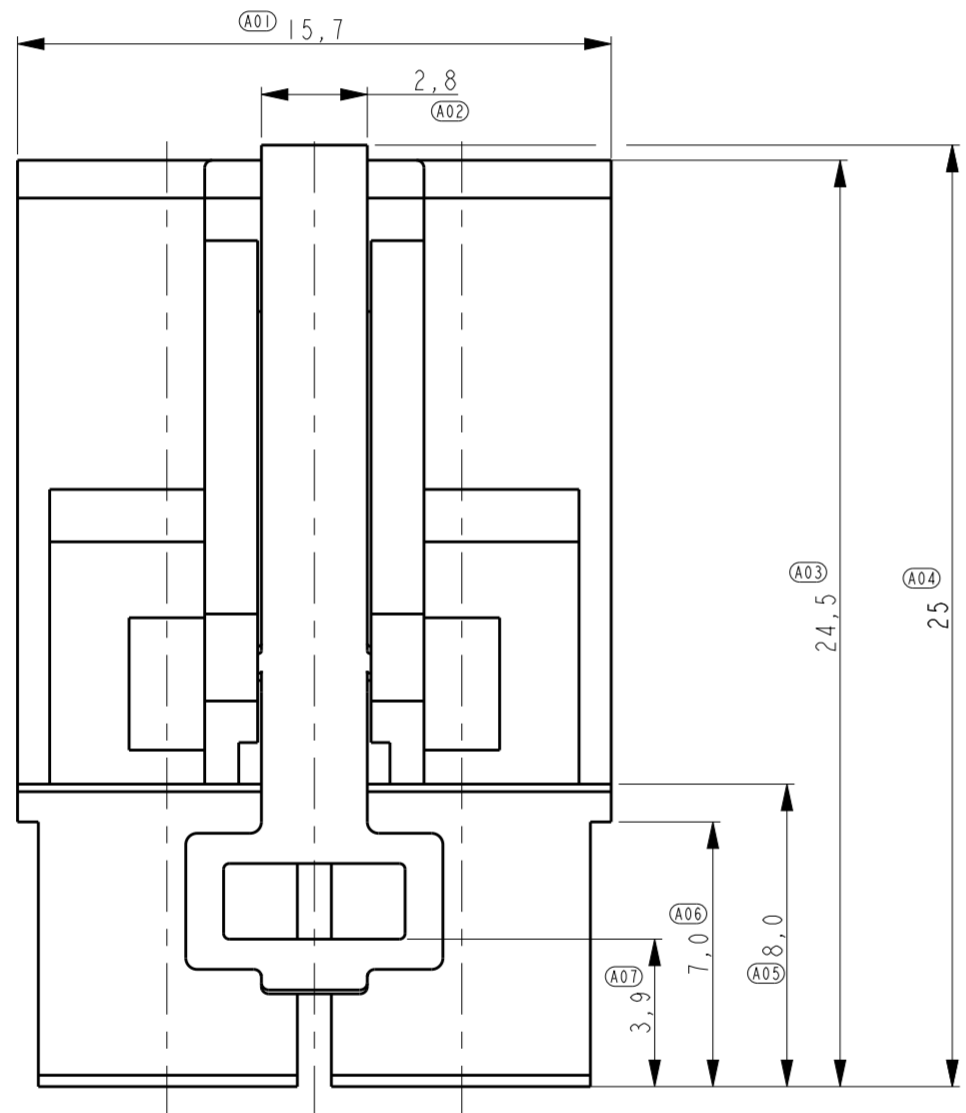
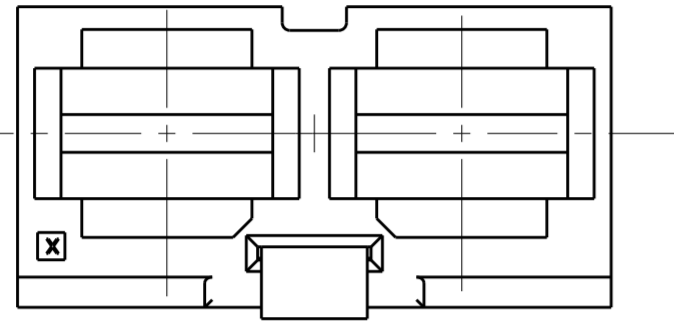
RESTRICTED TO: -

THIS DRAWING IS UNPUBLISHED. RELEASED FOR PUBLICATION
 © COPYRIGHT - TE CONNECTIVITY ALL RIGHTS RESERVED.

| LOC | DIST | REVISIONS | | | | | |
|-----|------|-----------|-----|-------------|------|-----|------|
| H | - | P | LTR | DESCRIPTION | DATE | DWN | APVD |
| | | - | | SEE SHEET 1 | | | |

NOTES:

- 1 USE FOR (SILVER PLATED) STANDARD POWER TIMER CONTACTS .
 FOR CONTACTS PARTNUMBERS SEE DWG. C-1355048 VERSION A
 ALLOWED MAX WIRE SIZE 4 mm².



| QTY | QTY | DESCRIPTION | MATERIAL | FINISH | ITEM |
|-----|-----|----------------|-------------------------------|---|------|
| 2 | - | CODING CONTACT | COPPER ALLOY | 0.8 um Au IN CONTACT PLACE OVER 1.2 um Ni UNDERPLAYER OVERALL | 2 |
| 1 | 1 | HOUSING LATCH | PA GF UL94V-0 STAINLESS STEEL | NA | 1 |

THIS DRAWING IS A CONTROLLED DOCUMENT.

DWN: R. Annokkee 13-feb-07
 CHK: R. Annokkee 13-feb-07
 APVD: J. Broeksteeg

NAME: **STE** TE Connectivity

PRODUCT SPEC: 108-19346
 APPLICATION SPEC: 114-19110

SCALE: 5:1 SHEET 2 OF 2 REV B.3

RESTRICTED TO: -

CUSTOMER DRAWING