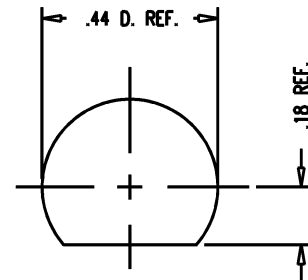
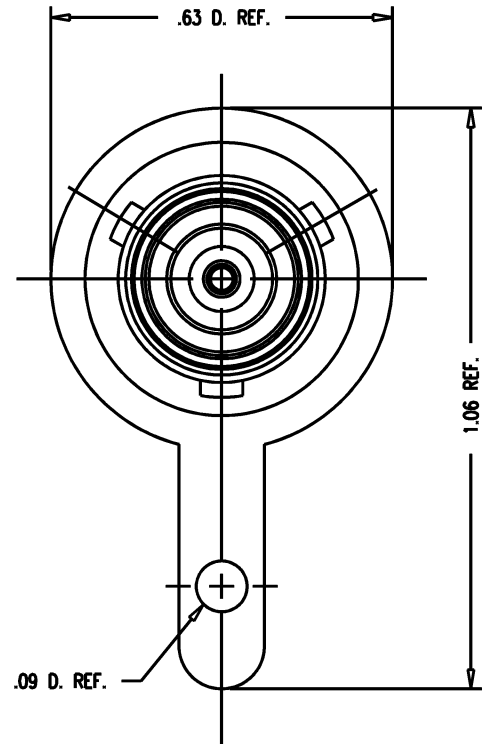
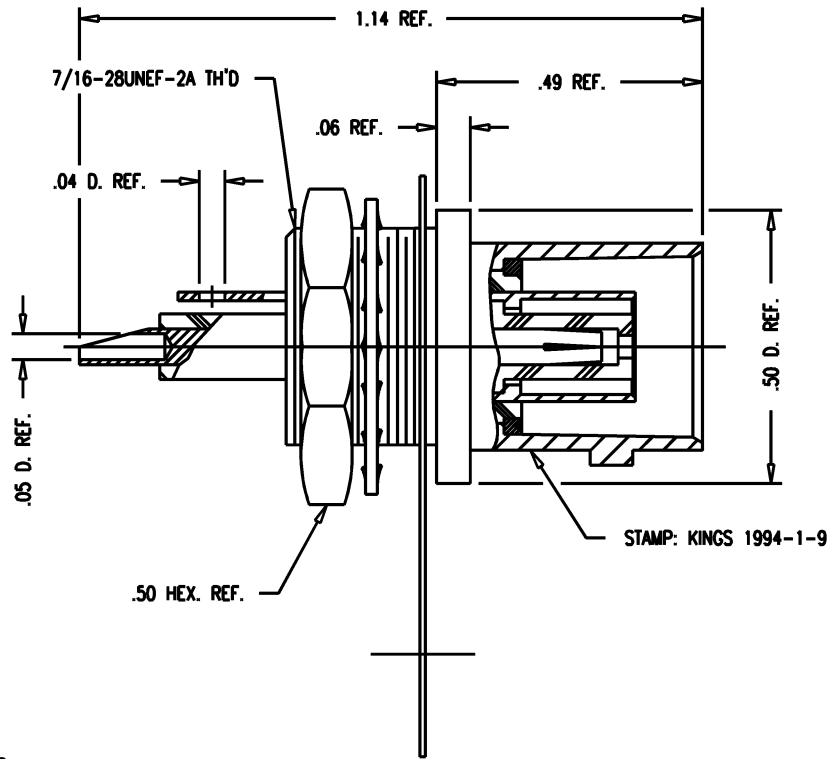


| | | |
|----------|--------|-----------|
| DASH NO. | M CODE | MADE FROM |
|----------|--------|-----------|

GSD

1994-1-9

| REVISIONS | |
|-----------|---------------------------------------|
| ISSUE | CHANGES |
| 5 | CN 33012 A REDRAWN WJM 04/03/91 |
| 6 | CN 35074 D MJB 11/09/93 |



MOUNTING HOLE

GSD

NOTES:

- FOR USE WITH .122 MAX. PANEL THICKNESS.
- INTERFACE PER MIL-STD-348, FIG. 201-2.
- MATERIALS:
INSULATORS: TEFLON, ASTM -D-1457
CENTER CONTACT: BER. COPPER, ASTM-B-196
ALL OTHER METAL PARTS: BRASS, QQ-B-626
- FINISHES:
ALL CONTACTS: HARD GOLD PLATE, PER MIL-G-45204
GROUNDING LUG: HOT TIN DIP, PER MIL-T-10727
ALL OTHER METAL PARTS: KINGS TARNISH RESISTANT FINISH (TR-5)
- ELECTRICAL CHARACTERISTICS:
NOMINAL IMPEDANCE: NON-CONSTANT
WORKING VOLTAGE: 400 VRMS
FREQUENCY RANGE: DC TO 5 MHz.
- SAME AS TROMPETER BJ77 IN FORM, FIT & FUNCTION.

WJM0927

| | | | |
|---------------------------|--------|------|----------|
| SCALE | 4:1 | | |
| APPROX SURFACE AREA | | | |
| WAS: | E-4723 | | |
| USED ON | | | |
| REF: | | | |
| RECEPTACLE, BULKHEAD, TRB | | | |
| DRAWN | WJM | DATE | 04/04/91 |
| DESIGN | VLS | DATE | 05/03/91 |
| APPR. | | DATE | |

KINGS
ELECTRONICS CO., INC.
TUCKAHOE, NEW YORK 10707

1994-1-9