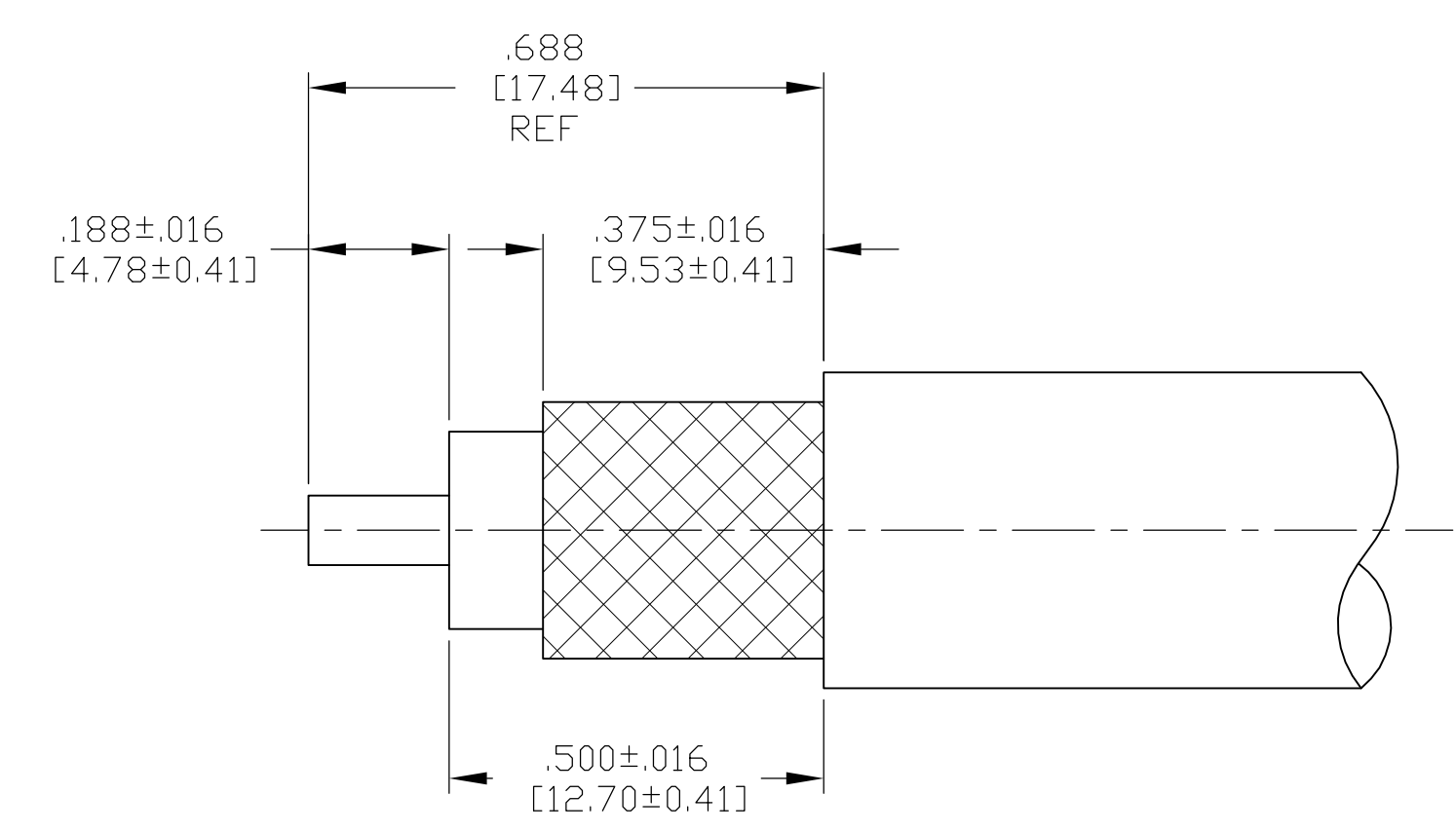
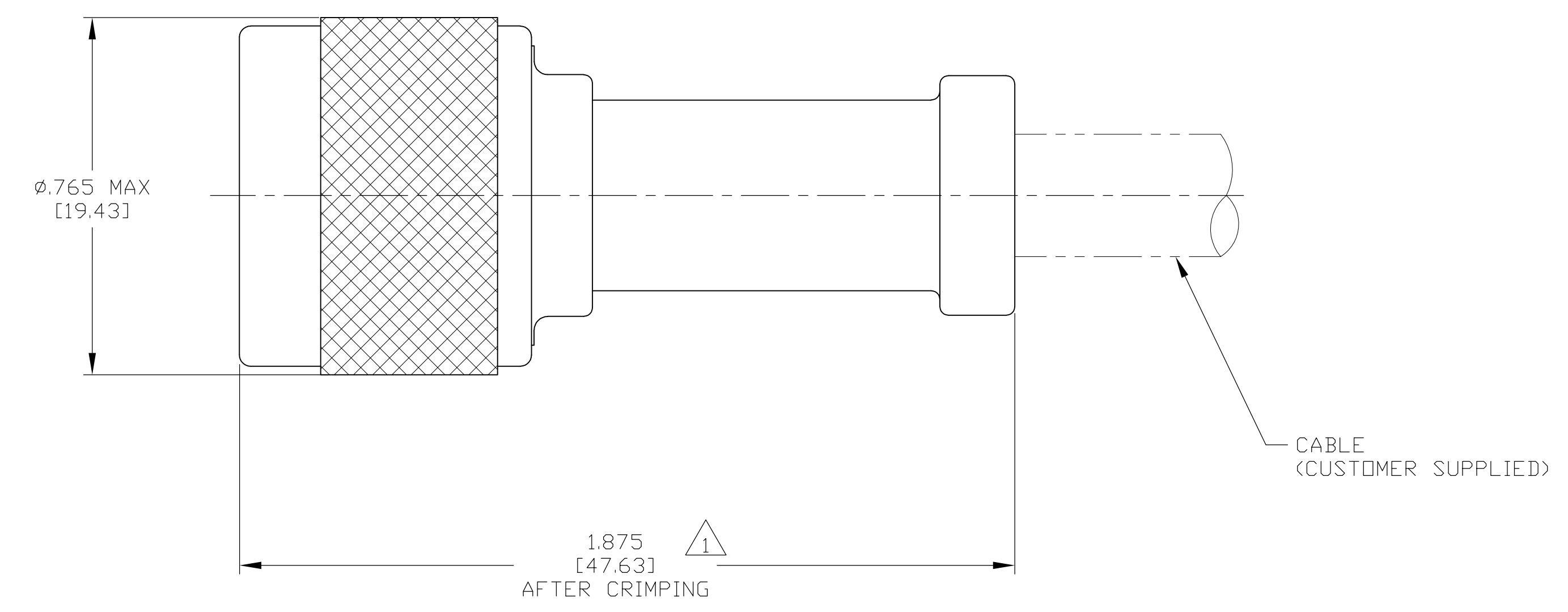
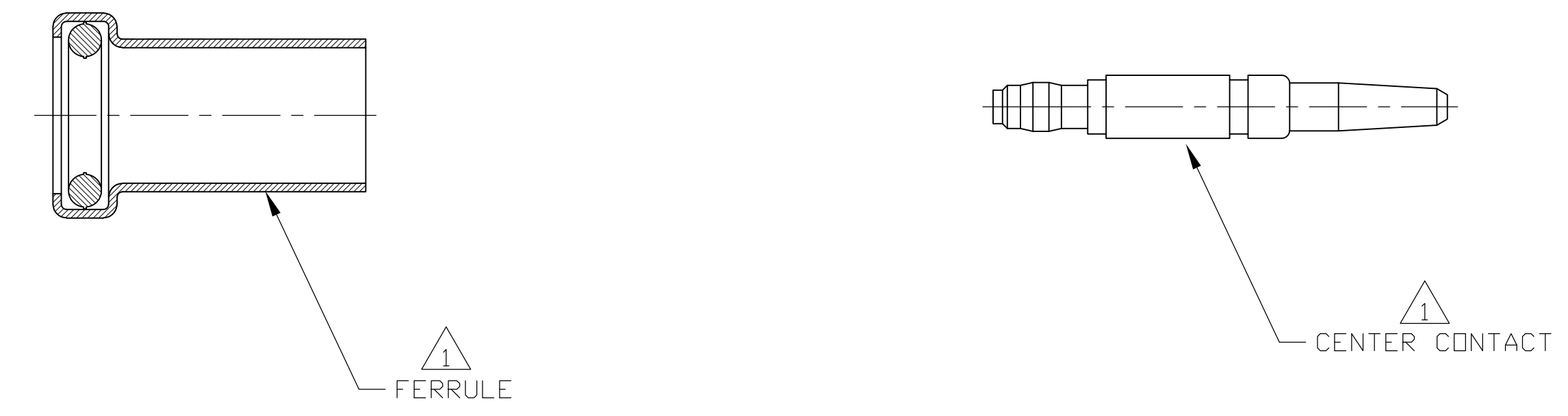


LOC		DIST		REVISIONS			
DF	XO	REV	DATE	DESCRIPTION	DATE	BY	APPV
		A	6-25-07	RELEASED		CT	RG

1 CENTER CONTACT & FERRULE PACKAGED UNASSEMBLED



RECOMMENDED STRIP LENGTH
SCALE 8:1

MICRODOT 250-4172 / 250-4208	220015-3	1996170-1
CABLE SIZE	CRIMP TOOL	PART NO.

THIS DRAWING IS A CONTROLLED DOCUMENT.		DIN C.C.THOMAS 6-26-07	AMP Tyco Electronics Corporation Harrisburg, PA 17105-3608	
DIMENSIONS: INCHES [mm]		CHK R.GROSS 6-26-07	NAME PLUG, WEATHERPROOF, SERIES C	
TOLERANCES UNLESS OTHERWISE SPECIFIED:		APPV R.GROSS 6-26-07	APPLICATION SPEC I.S. 2259-1	
0 PLC ± -	1 PLC ± -	PRODUCT SPEC	SIZE A1	CAGE CODE 00779
2 PLC ± .016 [0.41]	3 PLC ± -	FINISH	DRAWING NO. 1996170	RESTRICTED TO
4 PLC ± -	ANGLES ± -	MATERIAL	WEIGHT	SCALE 4:1
CUSTOMER DRAWING		SHEET 1 OF 1		REV A