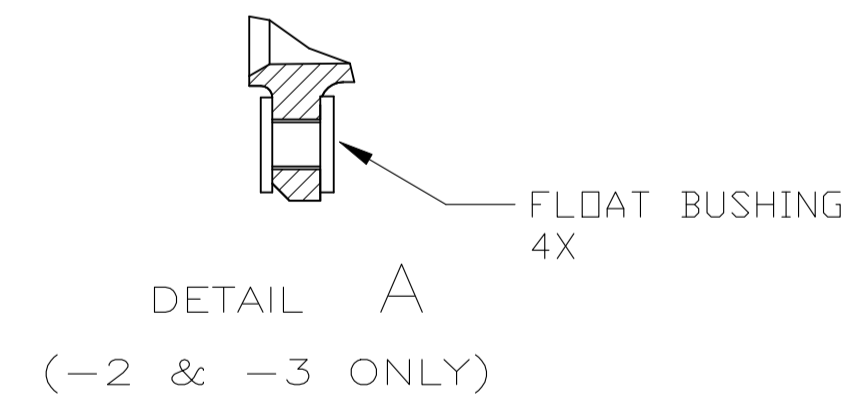
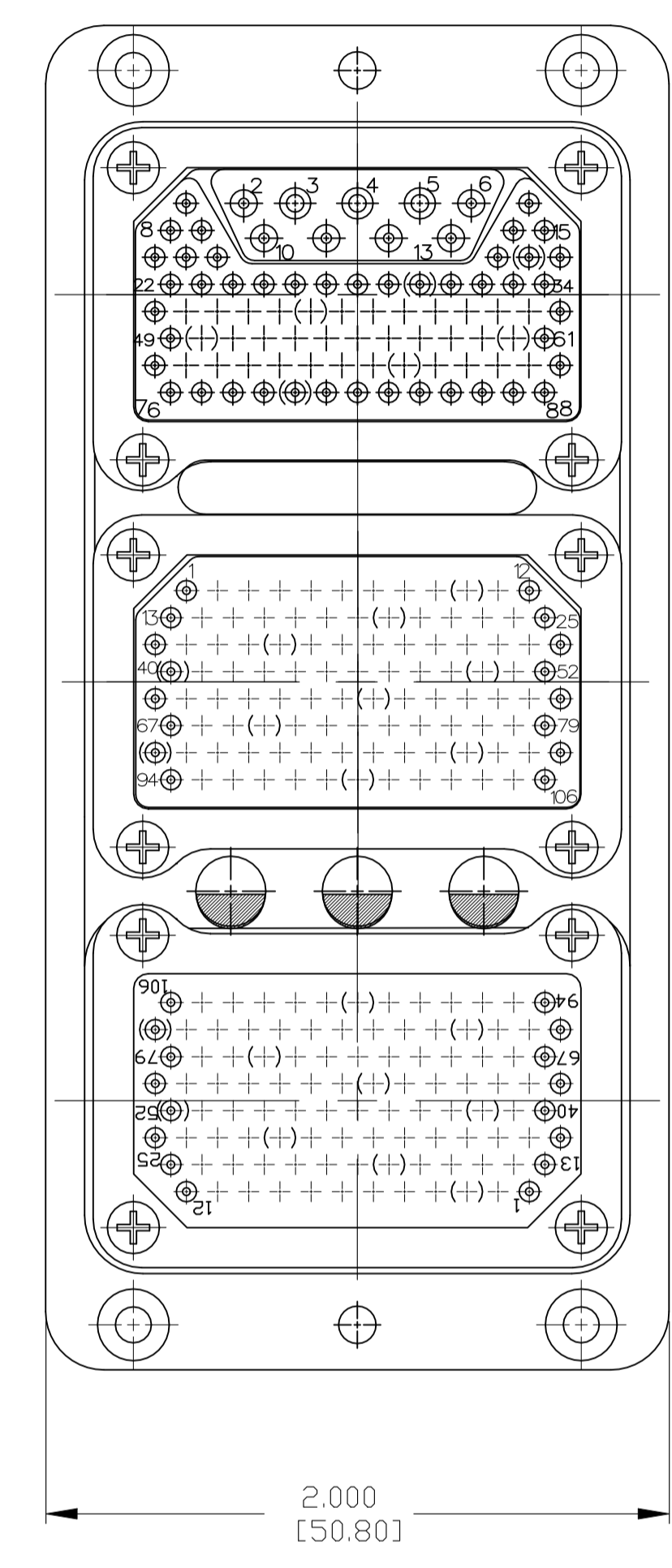
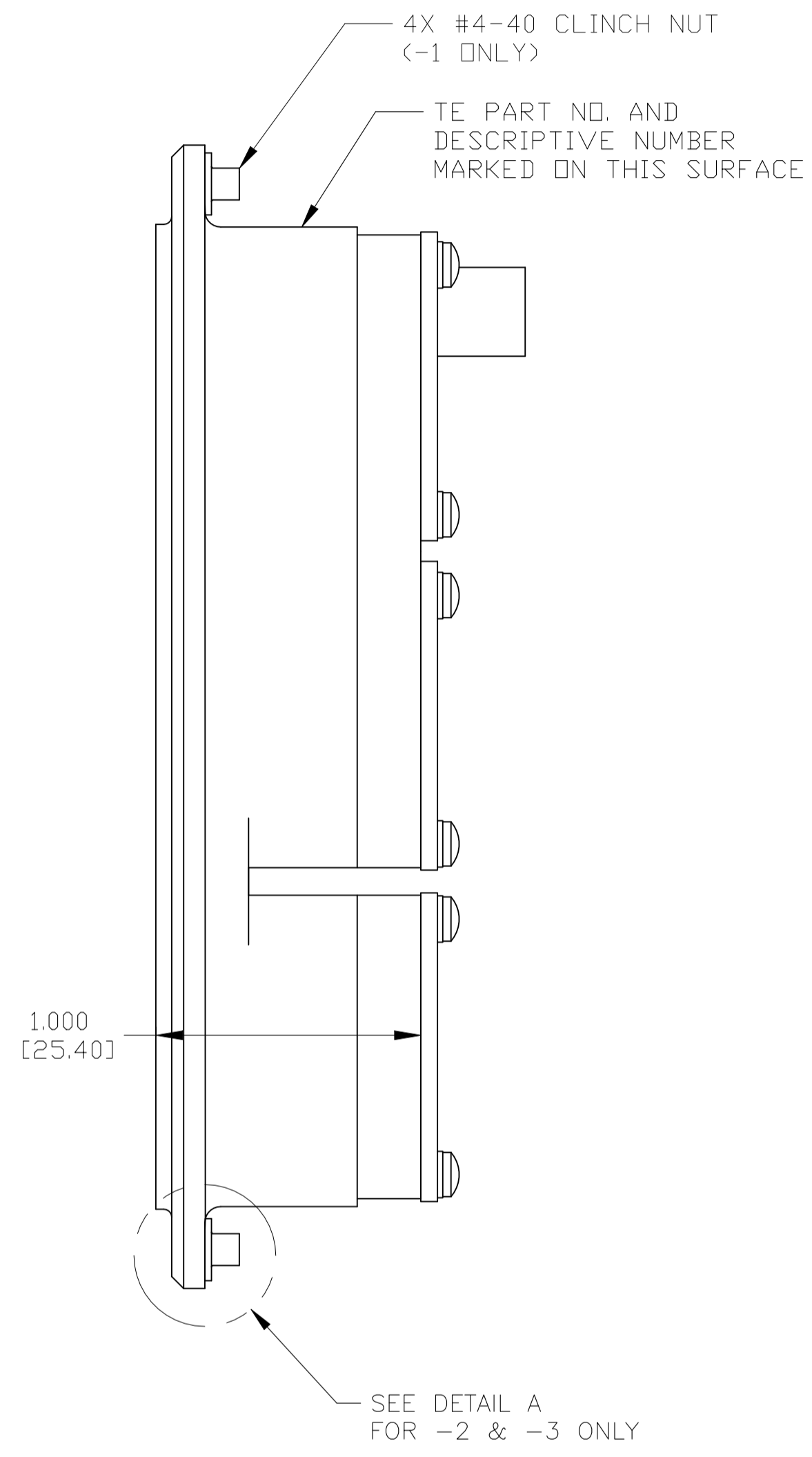
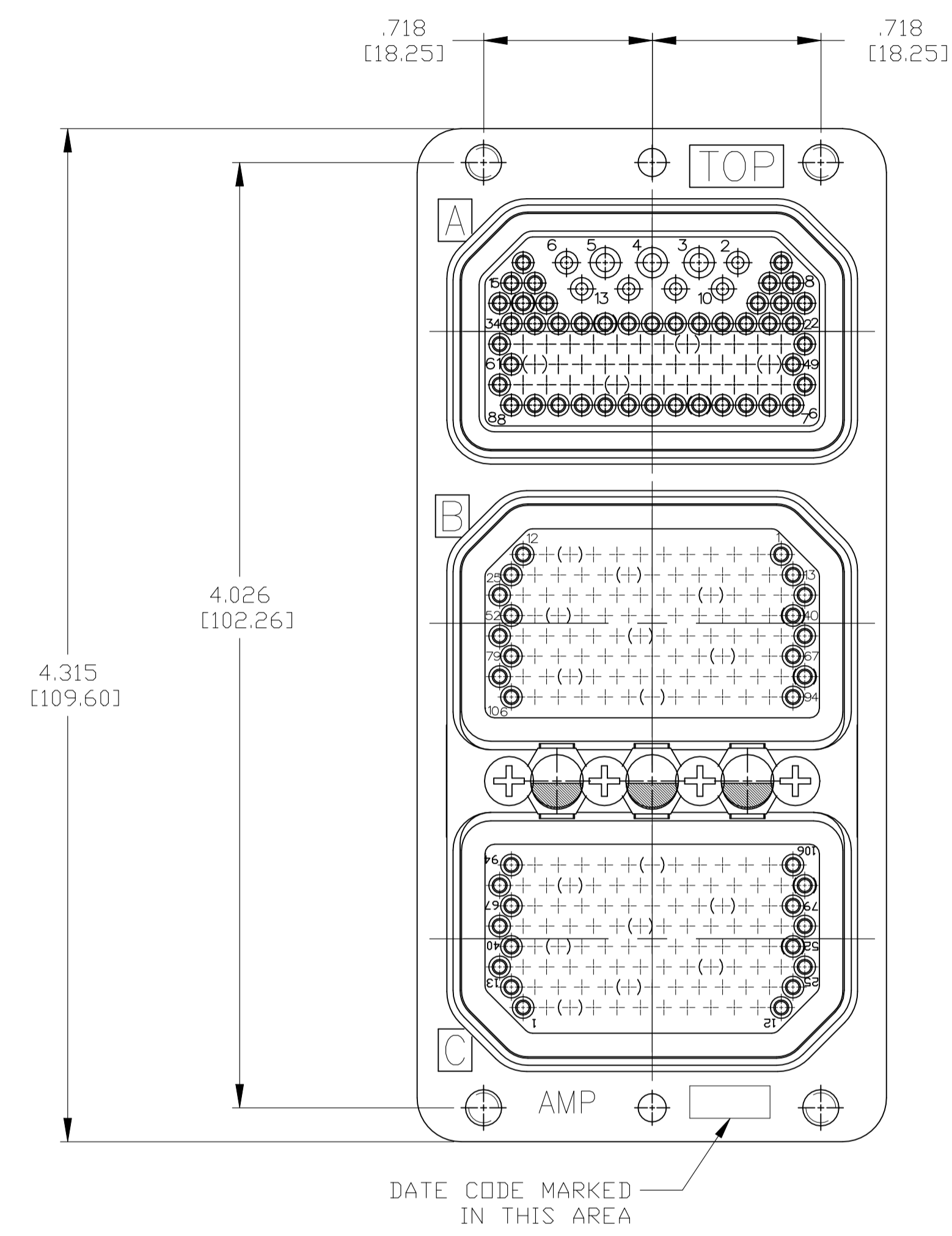


REVISIONS				
P	LTR	DESCRIPTION	DATE	APPV
B		REV PER ECO 20-007007	2-12-20	CT RL



1 MATERIAL AND FINISH:
 SHELL: DIE CAST ALUMINUM PER FED. SPEC QQ-A-591 OR
 ASTM B211 6061-T6/6511 OR ASTM B209 2024-T4/T351
 STANDARD FINISH: CADMIUM PLATE PER QQ-P-416, TYPE 1,
 CLASS 2 YELLOW CHROMATE CONVERSION.
 INSERT RETENTION PLATE: ALUMINUM ALLOY, BLUE ANODIZE
 PER MIL-A-8625.
 SCREWS AND WASHERS: STAINLESS STEEL, PASSIVATED.
 POLARIZING POSTS: STAINLESS STEEL, PASSIVATED.
 POLARIZING NUTS: BRASS, CADMIUM PLATED.

2 KEYING TO BE ASSEMBLED PER LAST 2 DIGITS OF DESCRIPTIVE

PART NO.	DESCRIPTIVE NO.	KEYING
1996220-1	RM3R88P106P106P-0101 (201)	"01"
1996220-2	RM3R88P106P106P-3301 (201)	"01"
1996220-3	RM3R88P106P106P-3304 (201)	"04"

THIS DRAWING IS A CONTROLLED DOCUMENT.

DIMENSIONS: INCHES	TOLERANCES UNLESS OTHERWISE SPECIFIED:	DIN C.C.THOMAS 11-2-18 CHK R.LACUESTA 11-2-18 R.LACUESTA 11-2-18 NAME RCPT ASSY,ARINC 404
0. PLC ± - 1. PLC ± - 2. PLC ± - 3. PLC ± .010 [0.25] 4. PLC ± - ANGLES ± -	APPLICABLE SPEC	SIZE CAGE CODE DRAWING NO A1 00779 C=1996220
MATERIAL	FINISH	WEIGHT 0.000000 CUSTOMER DRAWING

RESTRICTED TO

SCALE 2:1 SHEET 1 OF 1 REV B