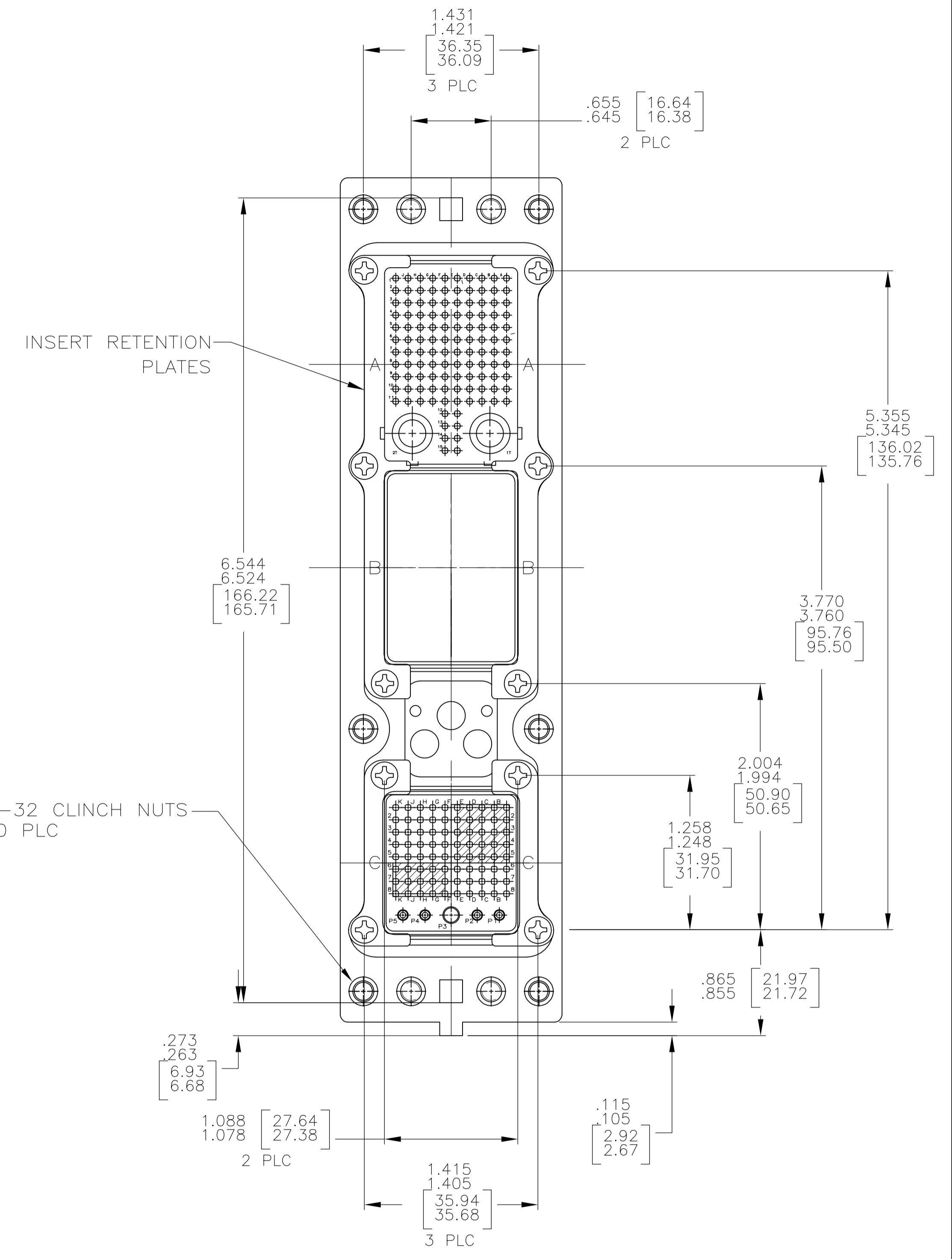
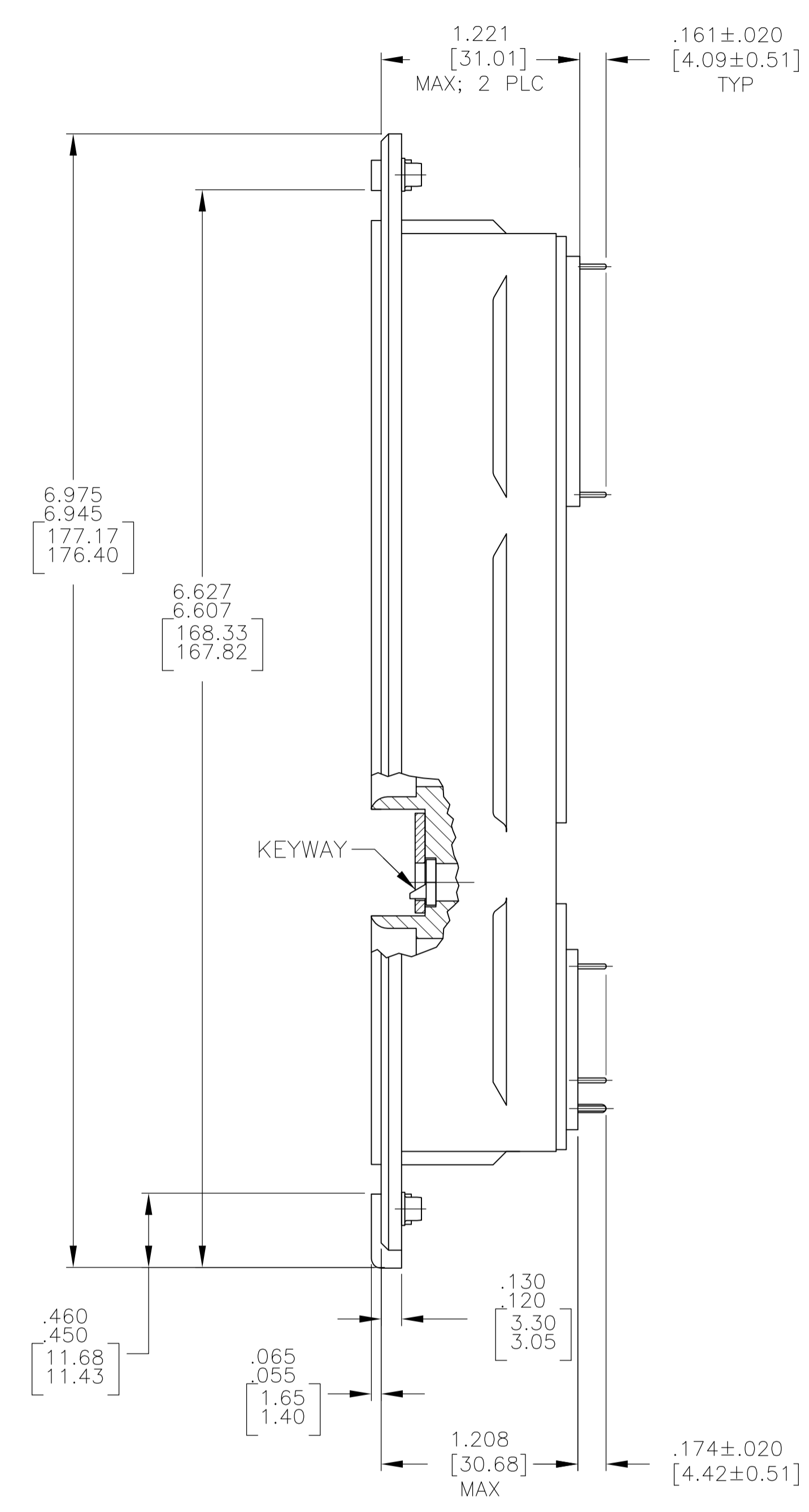
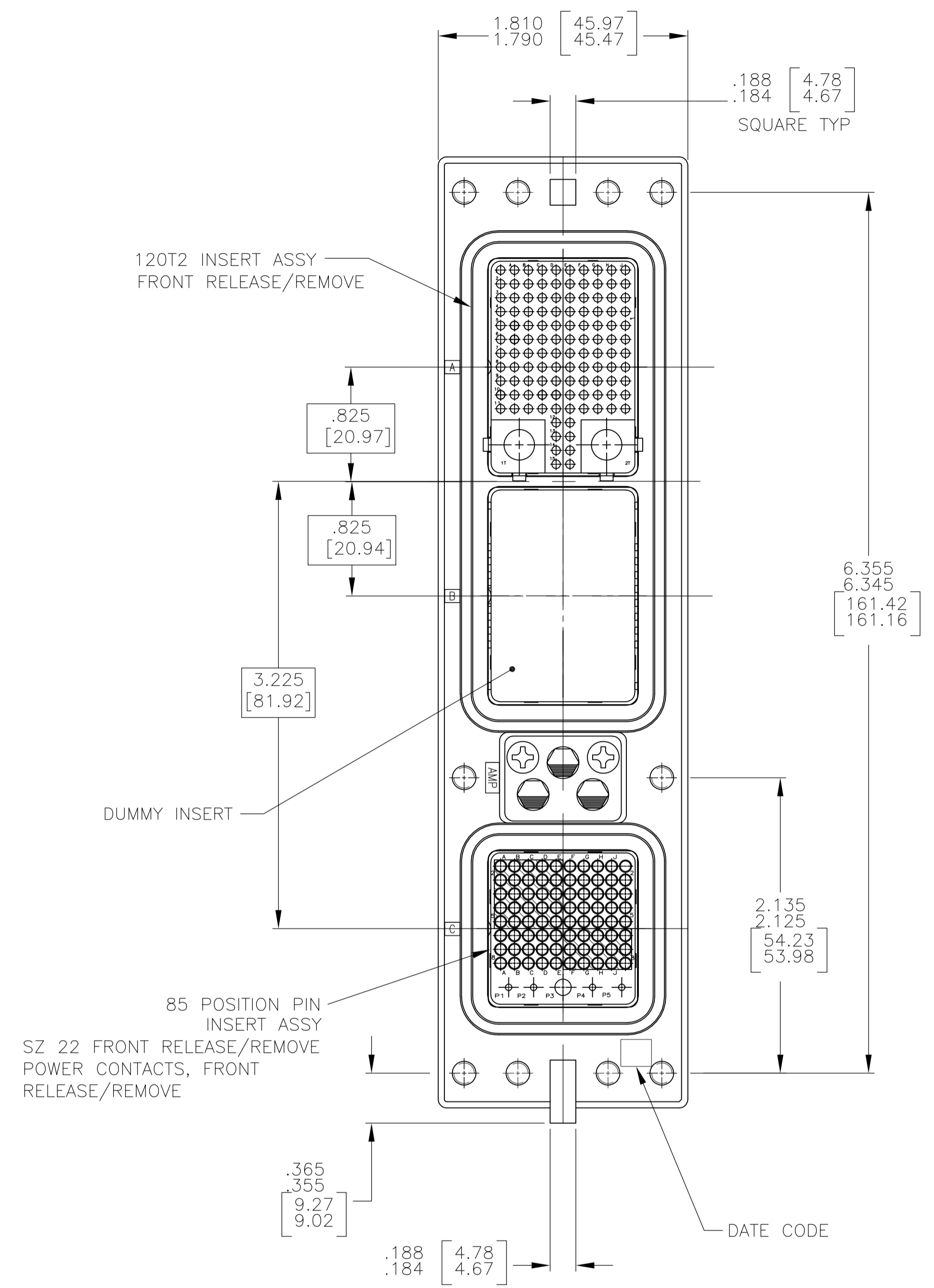


LOC		DIST		REVISIONS			
F	LTR	DESCRIPTION	DATE	DN	APVD		
E	REV PER ECO	14-004890	4-2-14	CT	WB		

- CONNECTOR DIMENSIONS ARE PER ARINC 600 SPECIFICATION.
- CONNECTOR IS SUPPLIED WITH CONTACTS AS LISTED IN TABLE.
- KEYING SHOWN IN POSITION "01" FOR ILLUSTRATION ONLY. CONNECTORS SHIPPED WITH KEYING INSTALLED IN POSITION PER TABLE. FOR POSITION "00" KEYING HARDWARE SHIPPED UNASSEMBLED.



COMPONENT	MATERIAL	FINISH
SHELL	DIE CAST ALUMINUM PER ASTM-B-85	ELECTROLESS NICKEL PER MIL-C-26074
INSERT RETENTION PLATES	ALUMINUM ALLOY PER ASTM-B-209	ELECTROLESS NICKEL PER MIL-C-26074
FLAT HEAD SCREWS	STAINLESS STEEL	PASSIVATED
POLARIZING KEYS	ZINC ALLOY PER ASTM-B-86	-
120T2 & 85 INSERTS	THERMOSET OR THERMOPLASTIC PPS PER MIL-M-24519	-
POLARIZING KEY RETAINING PLATE	ALUMINUM ALLOY PER ASTM-B-209	BLUE ANODIZED PER MIL-A-8625
DUMMY INSERT	ALUMINUM ALLOY PER ASTM-B-85	ELECTROLESS NICKEL PER MIL-C-26074

76	SAME AS -1 EXCEPT 1218687-3 SIZE 8 CONTACT ASSY, QTY 1, PACKAGED SEPARATELY AND DIFFERENT KEYING	1996253-3
130	SAME AS -1 EXCEPT 1218687-3 SIZE 8 CONTACT ASSY, QTY 1, PACKAGED SEPARATELY	1996253-2
130	MODULE A 211431-2 (SIZE 22 POSTED; QTY=118) 1663588-1 (FILLER PLUG IN 2T CAVITY) MODULE B (NONE) MODULE C 211431-2 (SIZE 22 POSTED; QTY=80) 1-448138-5 (SIZE 20 POSTED; QTY=4) 2-448139-1 (SIZE 16 POSTED; QTY=1)	1996253-1
KEYING POSITION	CONTACTS INCLUDED AND INSTALLED	PART NUMBER

THIS DRAWING IS A CONTROLLED DOCUMENT.

DIMENSIONS: INCHES	TOLERANCES UNLESS OTHERWISE SPECIFIED:	DIN P. YEAGER 20AUG07	CHK K. THACKSTON 21AUG07	NAME RCPT ASSY, SIZE 2, ARINC 600 (120T2/DUMMY/85)
	0 PLC ± - 1 PLC ± - 2 PLC ± - 3 PLC ± - 4 PLC ± - ANGLES ± -	APVD K. THACKSTON 21AUG07	PRODUCT SPEC	APPLICATION SPEC
MATERIAL SEE TABLE	FINISH SEE TABLE	WEIGHT	SIZE A1	CAGE CODE 00779
CUSTOMER DRAWING		SCALE 3:2	SHEET 1 OF 1	REV E

STE TE Connectivity