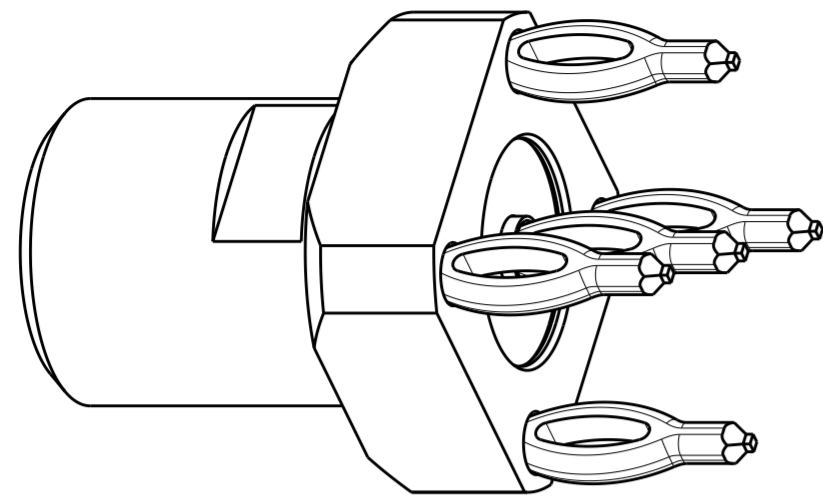


THIS DRAWING IS UNPUBLISHED. RELEASED FOR PUBLICATION 20
 © COPYRIGHT 20 BY - ALL RIGHTS RESERVED.

REVISIONS				
P	LTR	DESCRIPTION	DATE	APVD
G		RELEASED PER ECO 16-013320	9-27-16	CT DW

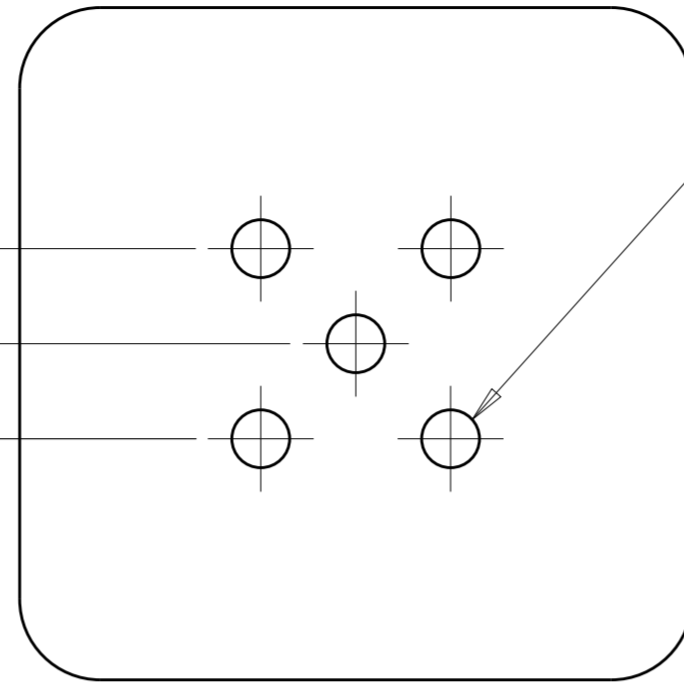


SCALE 10:1

2X .1414 [3.592]

2X .0707 [1.796]

SCALE 7:1



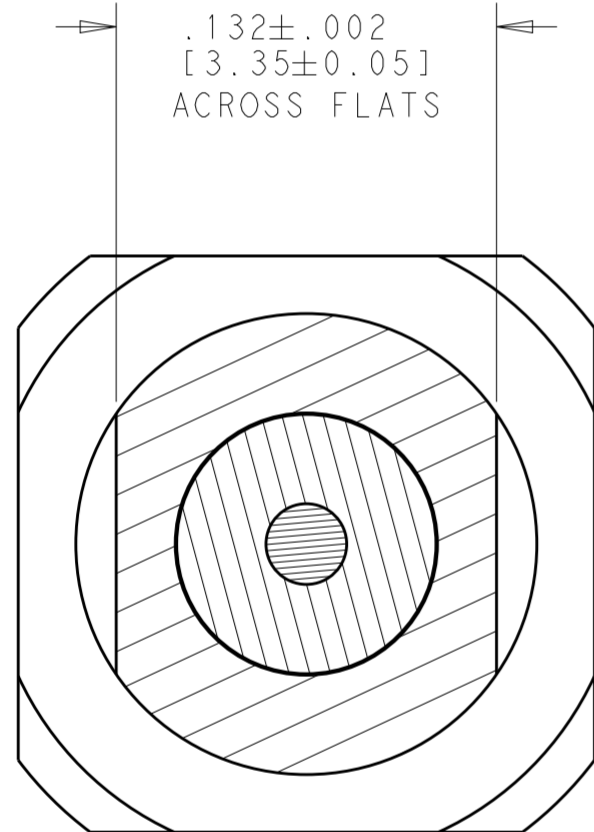
5X PLATED THRU HOLE

⊕ .004 [0.1]

(SEE TABLE)

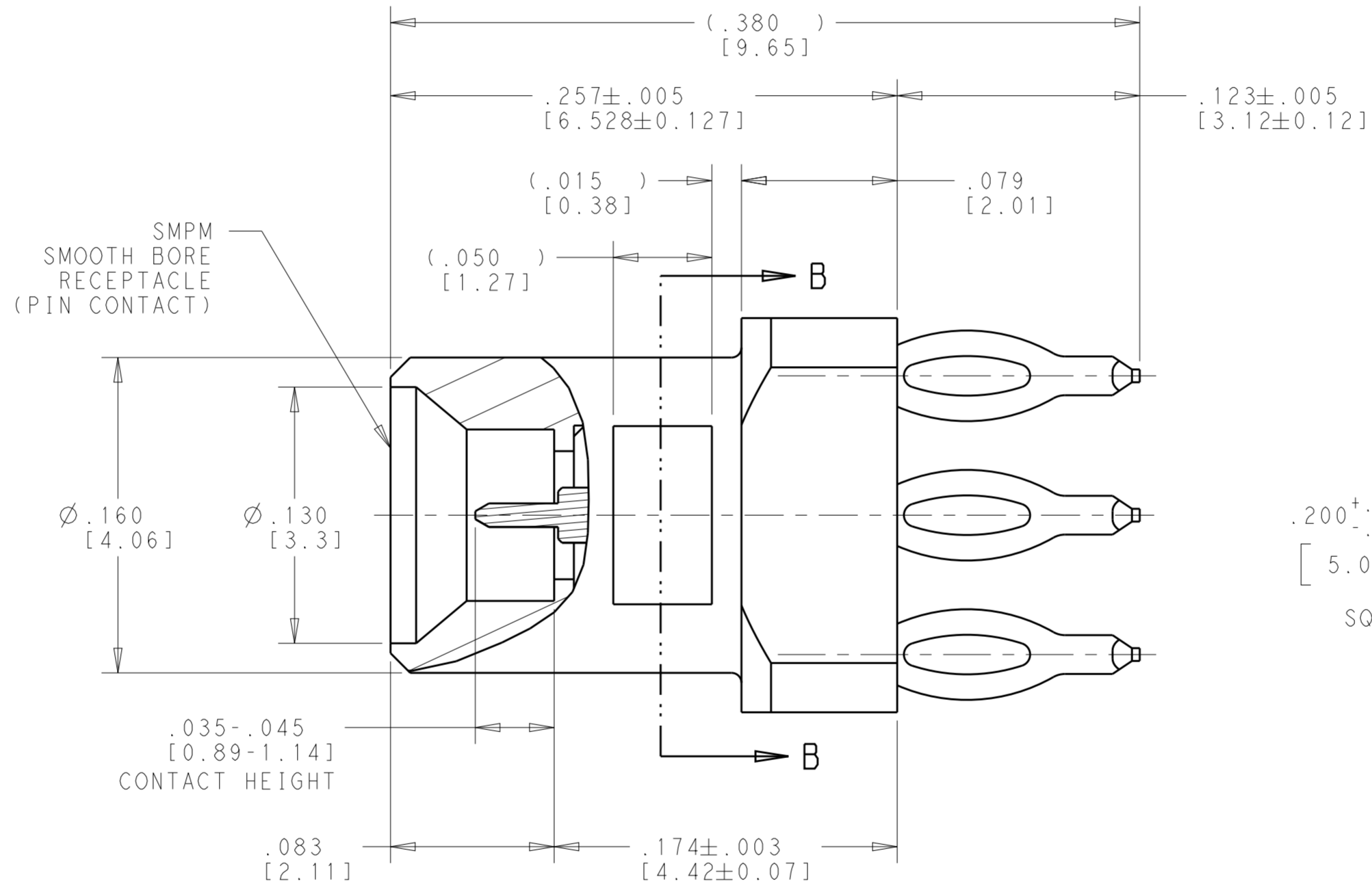
PLATED THROUGH HOLE TABLE

DRILLED HOLE DIAMETER	FINISHED HOLE DIAMETER	DIAMETER AFTER REFLOW
.044-.046 (1.15±0.025mm)	.037-.043 (0.94-1.09mm)	.036-.043 (0.91-1.09mm)
COPPER PLATING	.001-.003 (25-75um)	



.132±.002 [3.35±0.05]
ACROSS FLATS

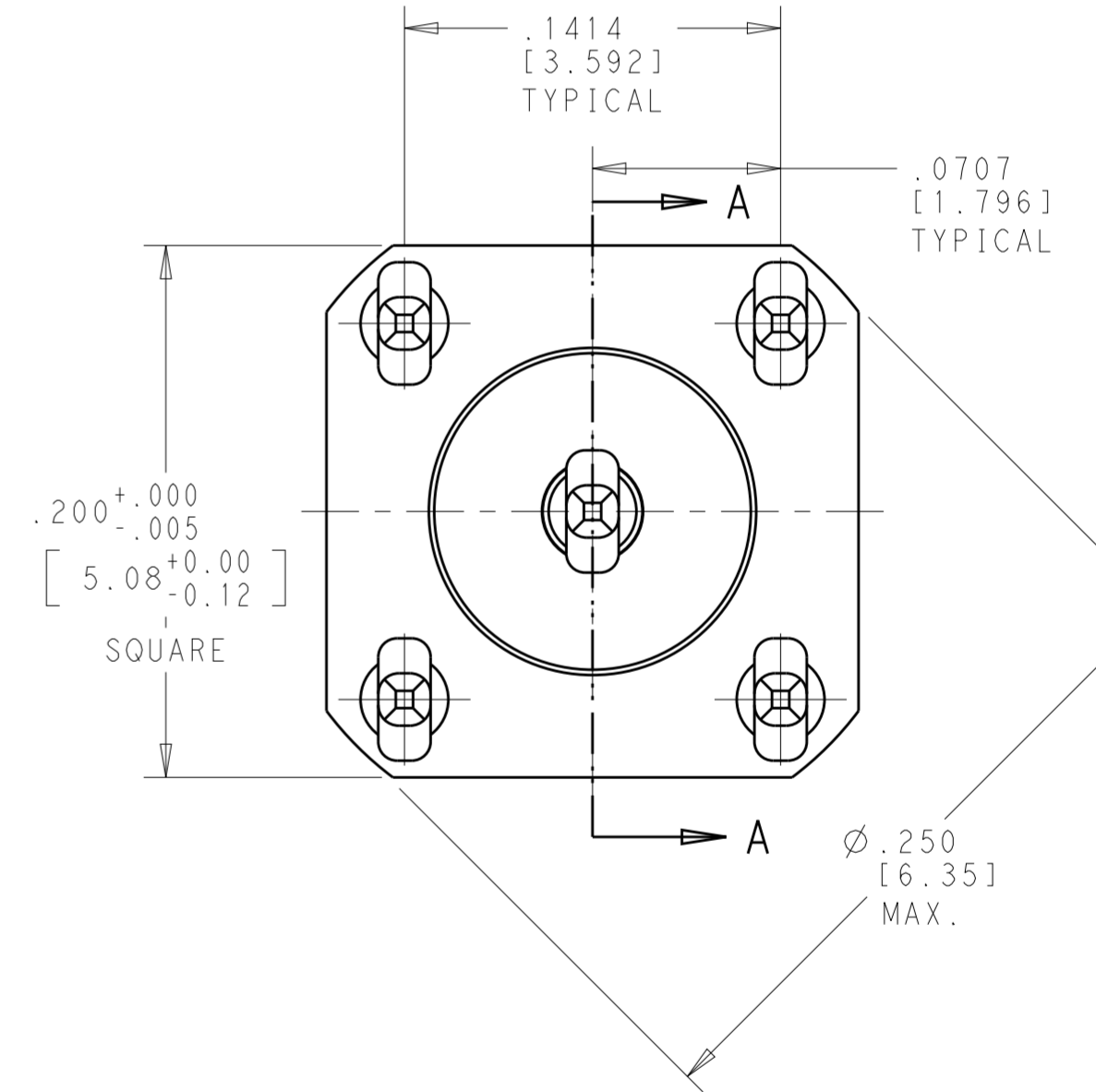
SECTION B-B



SMPM SMOOTH BORE RECEPTACLE (PIN CONTACT)

.035-.045 [0.89-1.14]
CONTACT HEIGHT

SECTION A-A



.200^{+0.000}_{-.005} [5.08^{+0.00}_{-0.12}]
SQUARE

COMPONENT	MATERIAL	FINISH
SMPM BODY & CENTER CONTACT	BERYLLIUM COPPER ALLOY UNS C17300 PER ASTM B196, CONDITION TD04	GOLD PLATE PER ASTM B488 OVER NICKEL PLATE, PER SAE-AMS-QQ-N-290
COMPLIANT PINS	PHOSPHOR BRONZE, PER ASTM B103 CONDITION H06	TIN LEAD PLATE, PER ASTM B571, OVER NICKEL PLATE PER SAE-AMS-QQ-N-290
INSULATOR	PTFE FLUOROCARBON PER ASTM D 1710	-----

1996318-1
PART NUMBER

THIS DRAWING IS A CONTROLLED DOCUMENT.

DWN S.T. Morley 26SEP2007
 CHK S.T. Morley 31AUG2010
 APVD S.T. Morley 27SEPT2011

STE TE Connectivity

NAME SMPM STRAIGHT PLUG RECEPTACLE (M)
 P.C.B. MOUNT, EON TERMINATION
 SMOOTH BORE

SIZE CAGE CODE DRAWING NO RESTRICTED TO
 WEIGHT 0.688 g A200779 C-1996318 -

CUSTOMER DRAWING SCALE 15:1 SHEET 1 OF 1 REV G