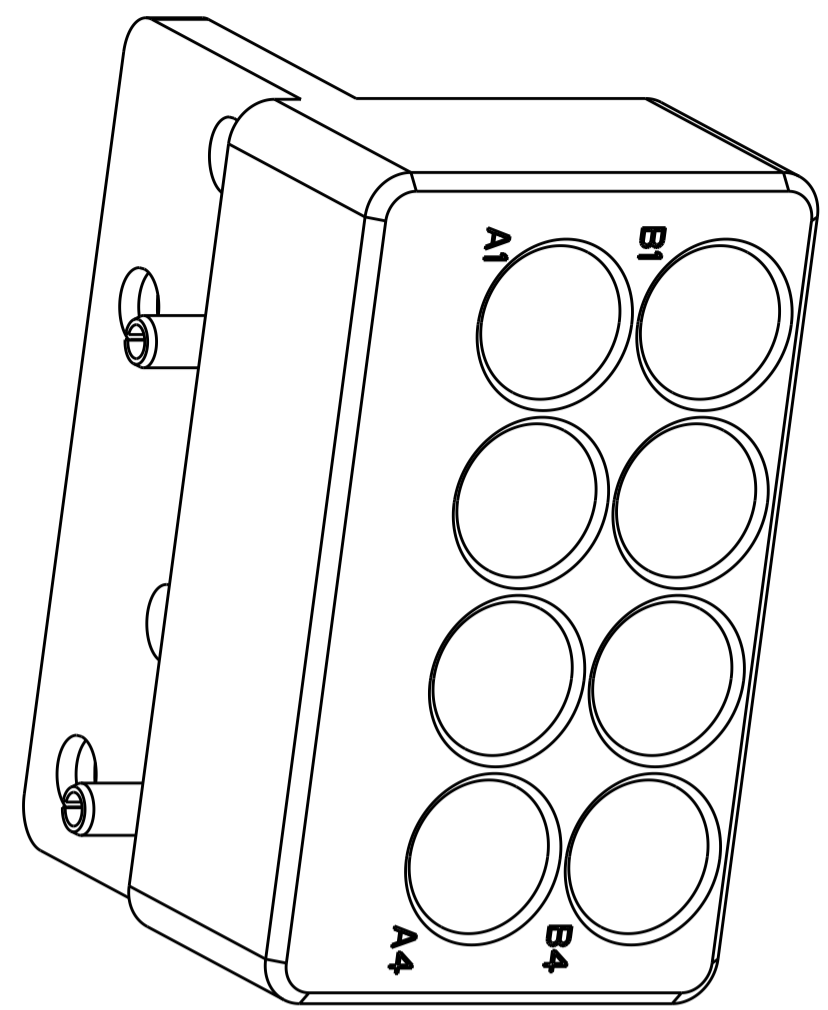
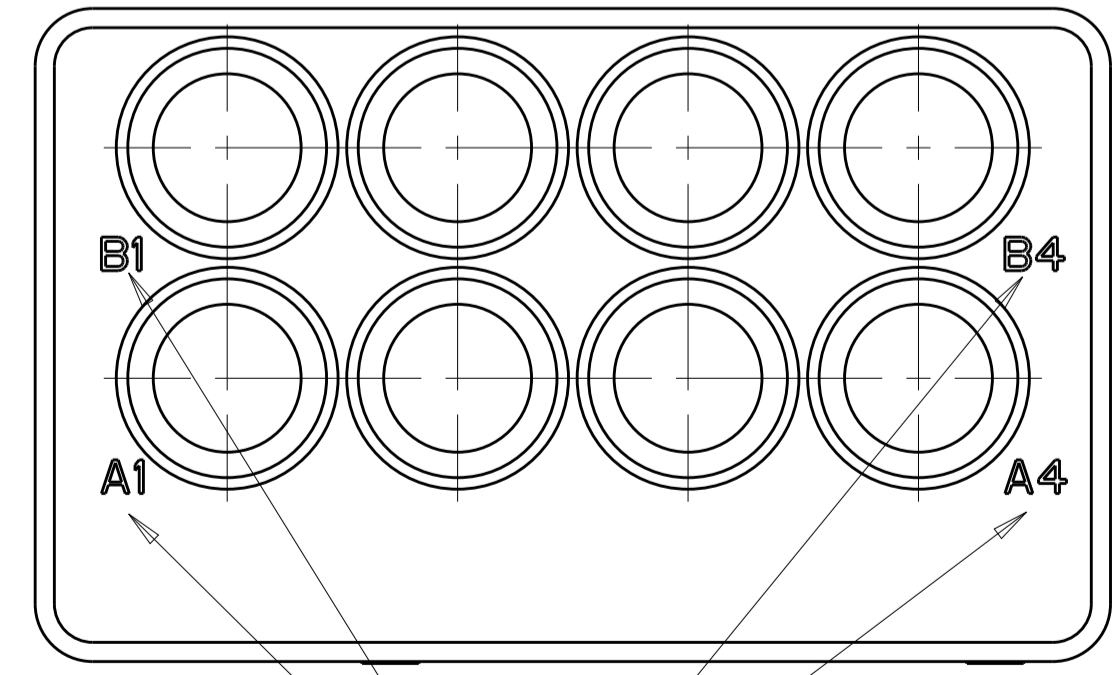
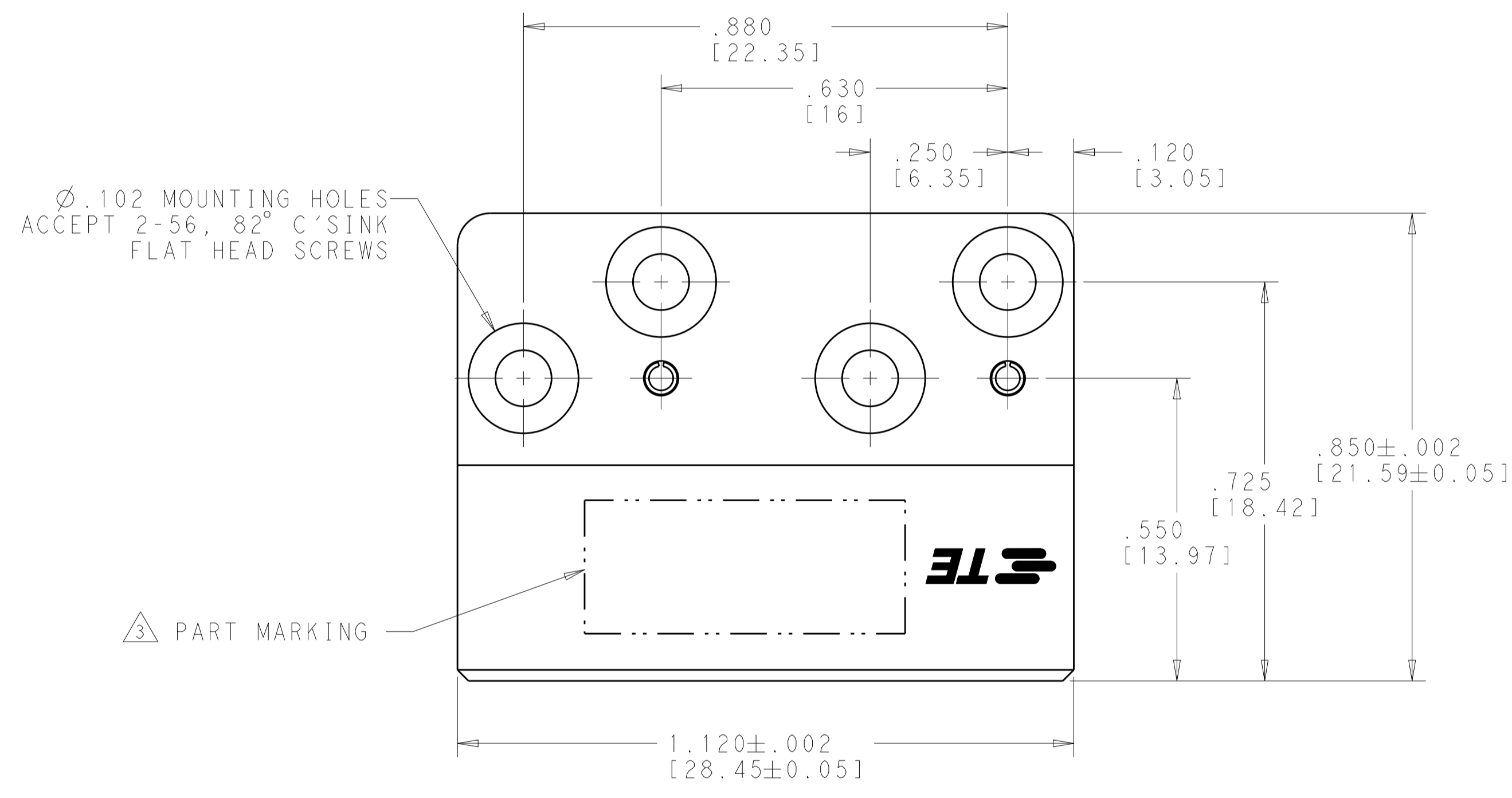
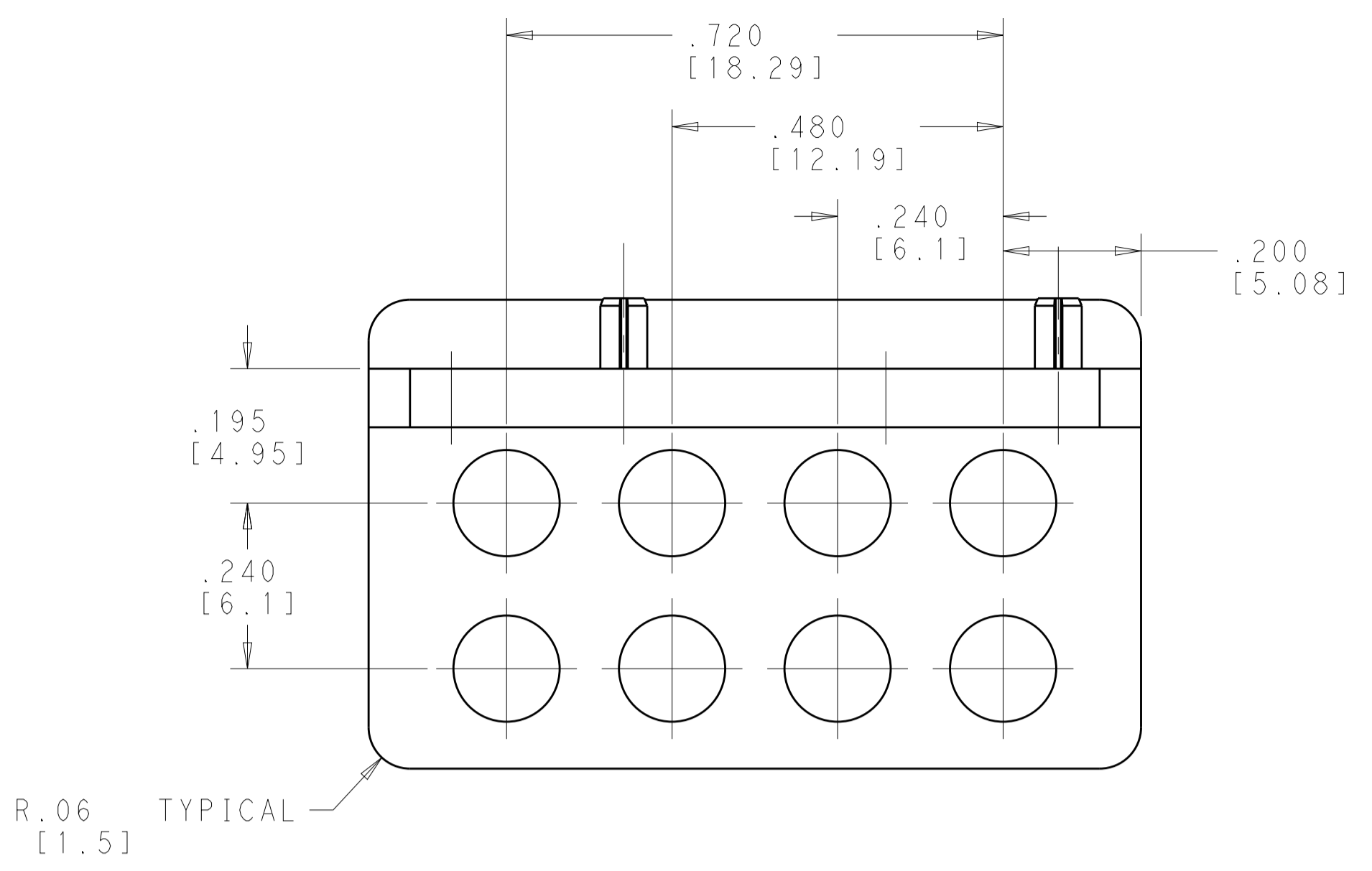
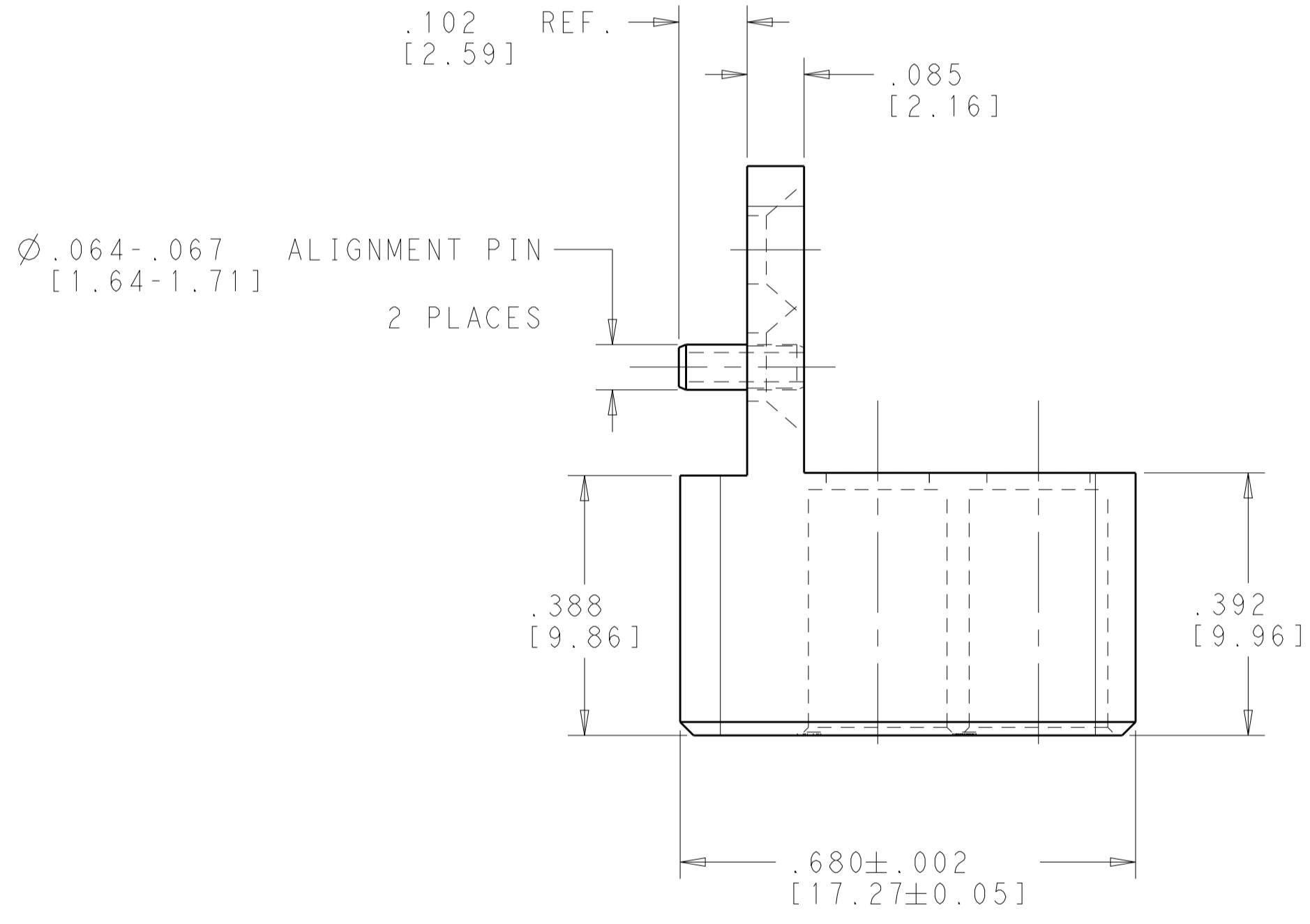


LOC		DIST		REVISIONS			
				DESCRIPTION	DATE	DWN	APVD
		M		REV PER ECO 16-012318	12-12-16	CT	DW



SCALE 4:1



4 CAVITY IDENTIFICATION MARKING

- 1 MATERIAL:
MODULE BODY - STAINLESS STEEL, PER UNS S30300
SPRING PINS - WORK HARDENED NICKEL STAINLESS STEEL
- 2 FINISH:
MODULE BODY & SPRING PINS - PASSIVATED
- 3 PART MARKING:
TE CONNECTIVITY PART NUMBER, CAGE CODE AND DATE CODE
- 4 CAVITY IDENTIFICATION MARKING

1996705-4	3 4	1996705-4
-----	-----	1996705-3
P/N MARKING	MARKING REQUIREMENT	PART NUMBER

THIS DRAWING IS A CONTROLLED DOCUMENT.		DWN S.T. Morley 01MAY2007	TE Connectivity	
DIMENSIONS: [INCHES/mm]		CHK S.T. Morley 01MAY2007	NAME 8 POSITION R.F. MODULE, P.C.B. MOUNT VITA 67 DAUGHTER CARD	
TOLERANCES UNLESS OTHERWISE SPECIFIED:		APVD S.T. Morley 01MAY2007	SIZE CAGE CODE DRAWING NO RESTRICTED TO	
0 PLC ±.1	1 PLC ±.1	PRODUCT SPEC	A1 00779 C=1996705	
2 PLC ±.01	3 PLC ±.001	APPLICATION SPEC	WEIGHT 1.045 oz	
4 PLC ±.0005	ANGLES ±1.0°	FINISH	CUSTOMER DRAWING	
MATERIAL		SCALE 5:1 SHEET 1 OF 1 REV M		