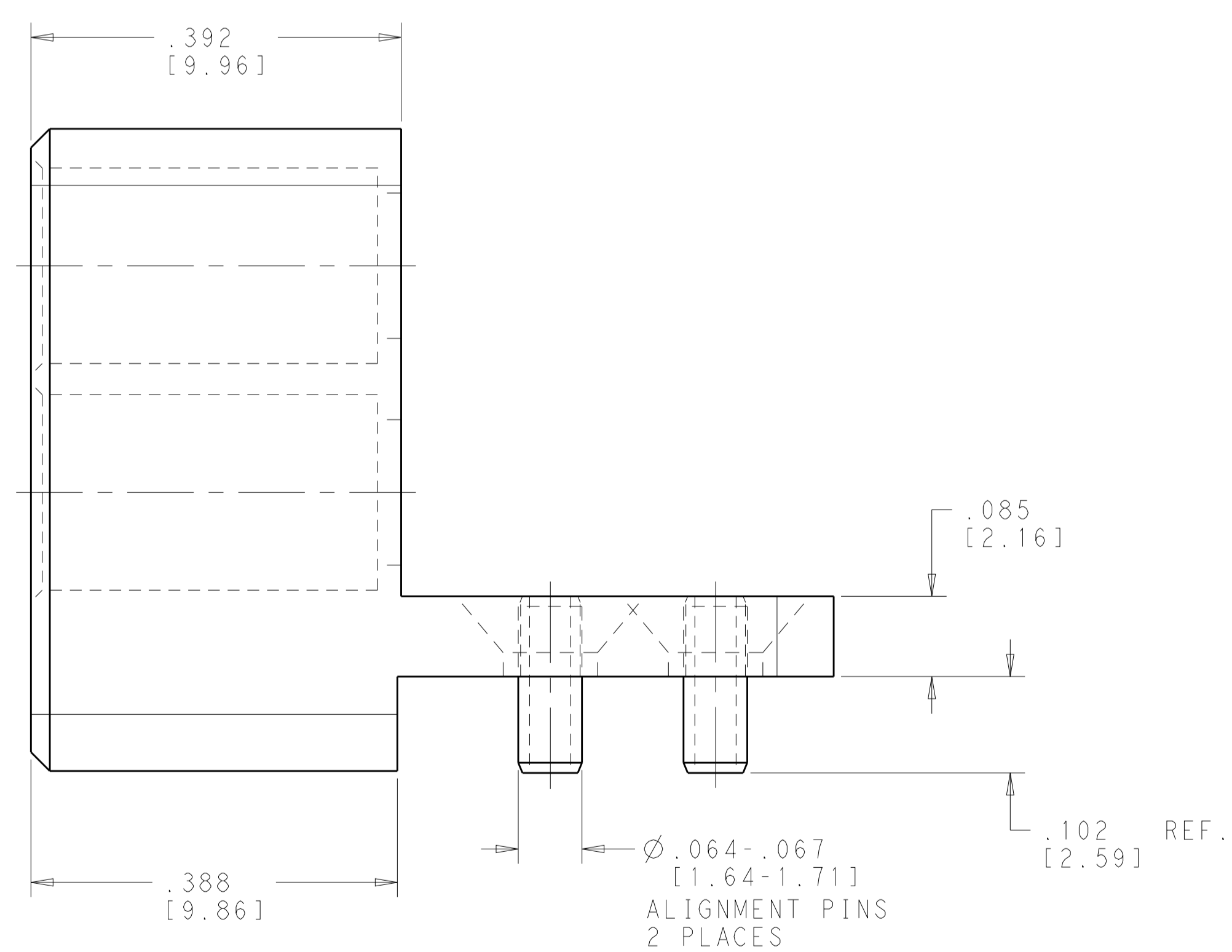
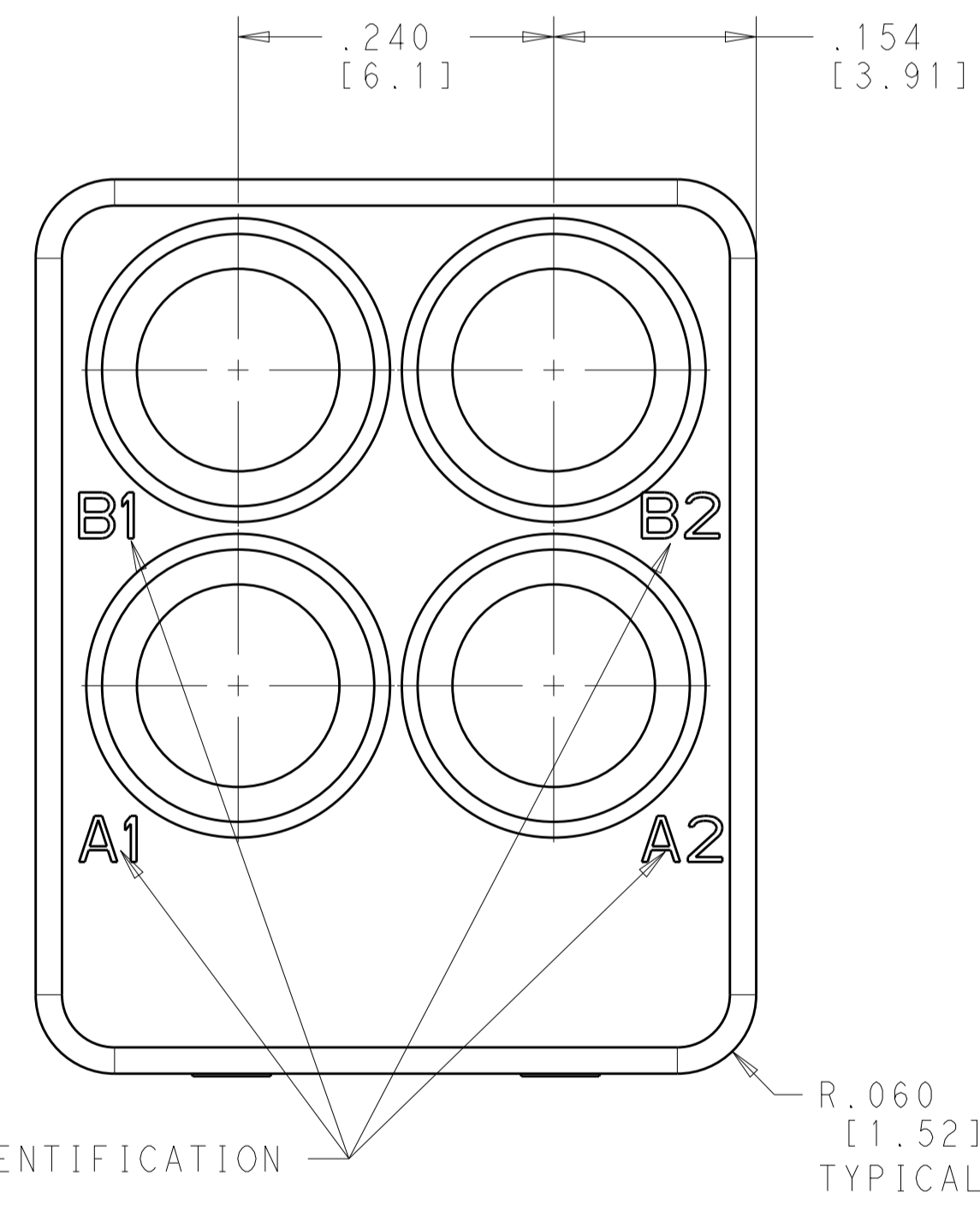
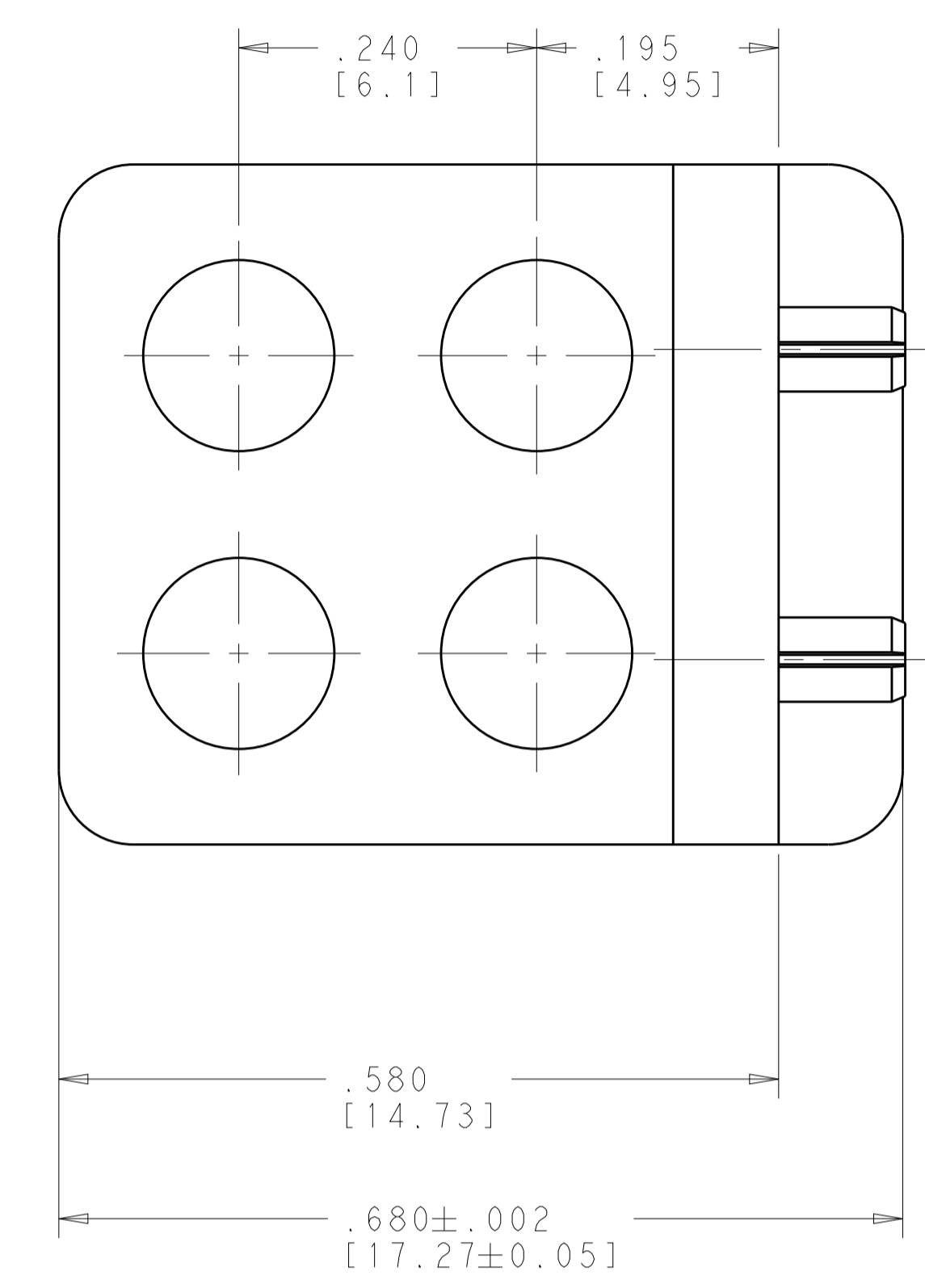
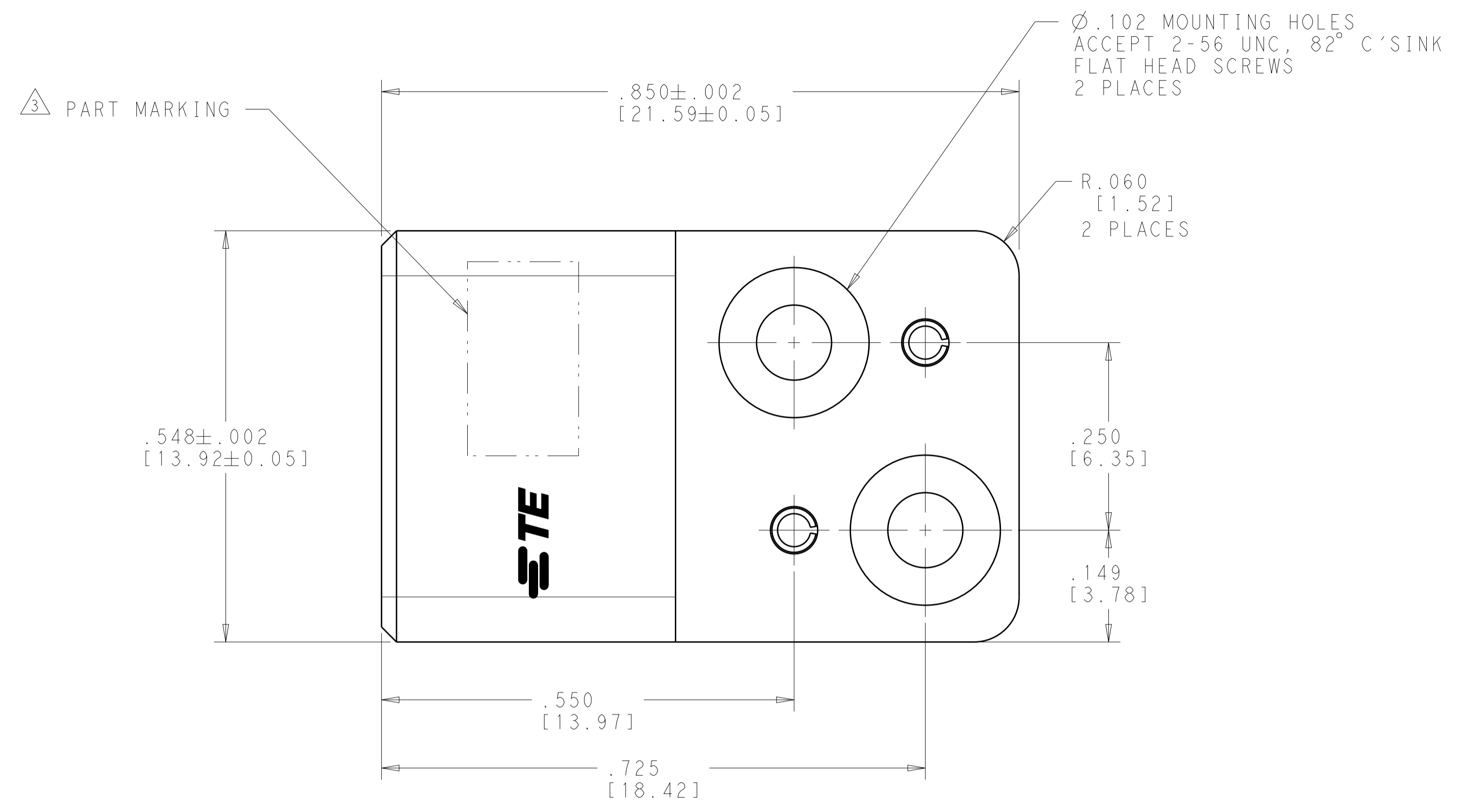
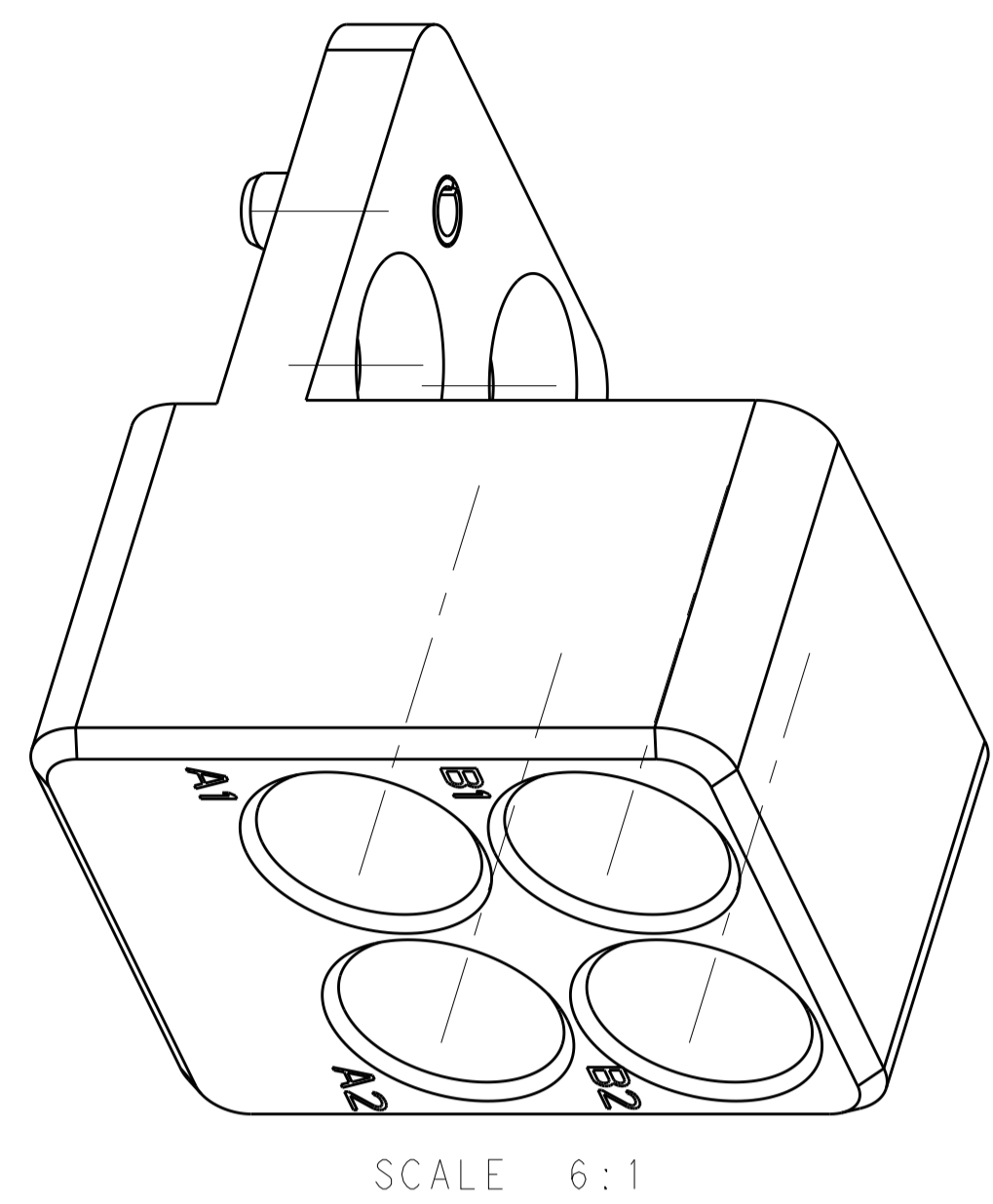


LOC		DIST		REVISIONS			
				REV	DATE	BY	APPV
		H		REV PER ECO	15-012318	10-12-16	CT DW



- △ MATERIAL:
MODULE BODY - STAINLESS STEEL, PER UNS S30300
SPRING PINS - WORK HARDENED NICKEL STAINLESS STEEL
- △ FINISH:
MODULE BODY AND SPRING PINS - PASSIVATED
- △ PART MARKING:
TE CONNECTIVITY PART NUMBER, CAGE CODE AND DATE CODE
- △ CAVITY IDENTIFICATION MARKING

1996883-4	△3/4	1996883-4
-----	-----	1996883-3
TE PART MARKING	MARKING REQUIREMENT	PART NUMBER

THIS DRAWING IS A CONTROLLED DOCUMENT.		DWN S.T. Morley 11AUG2009	TE Connectivity NAME 4 POSITION R.F. MODULE P.C.B. MOUNT - DAUGHTER CARD VITA 67, 3U (1/2 SIZE) SIZE CAGE CODE DRAWING NO RESTRICTED TO WEIGHT .512 oz A1 00779 C=1996883 CUSTOMER DRAWING SCALE 8:1 SHEET 1 OF 1 REV H
DIMENSIONS: [INCHES/mm]	TOLERANCES UNLESS OTHERWISE SPECIFIED:	CHK S.T. Morley 11AUG2009	
		APVD S.T. Morley 11AUG2009	
		PRODUCT SPEC APPLICATION SPEC	