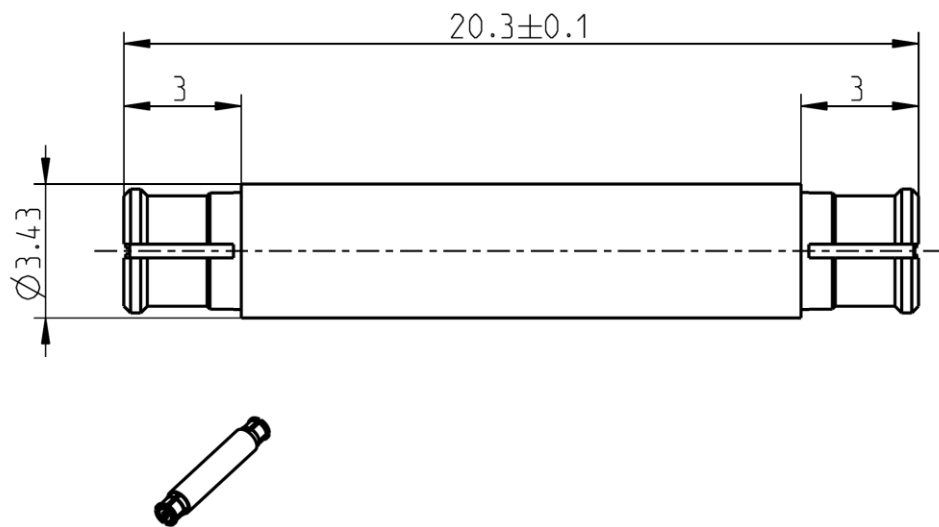


SMP

Adaptor  
Jack - Jack

**19K119-K00L5**



All dimensions are in mm; tolerances according to ISO 2768 m-H

**Interface**

According to MIL-STD-348

**Documents**

N/A

**Material and plating**

**Connector parts**

Center contact  
Outer contact  
Dielectric

**Material**

CuBe  
CuBe  
PTFE

**Plating**

AuroDur®, gold plated  
AuroDur®, gold plated

Dieses Dokument ist urheberrechtlich geschützt • This document is protected by copyright • Rosenberger Hochfrequenztechnik GmbH & Co. KG

RF\_35/09.14/6.2

**Electrical data**

Impedance	50 Ω
Frequency	DC to 26.5 GHz
Return loss	≥ 27 dB @ DC to 3 GHz ≥ 18 dB @ 3 GHz to 18 GHz
Insertion loss	≤ 0.1 x √f [GHz] dB @ DC to 18 GHz
Insulation resistance	≥ 5 GΩ
Center contact resistance	≤ 6 mΩ
Outer contact resistance	≤ 2 mΩ
Test voltage (at sea level)	500 V rms
Working voltage (at sea level)	335 V rms
Contact Current	≤ 1.2A DC

**Mechanical data**

Mating cycles	
if mating part is Smooth bore, Catcher's Mitt	≥ 1000
if mating part is Limited detent	≥ 500
if mating part is Full detent	≥ 100
Center contact captivation	≥ 7 N
Engagement force	
- Smooth bore, Catcher's Mitt	≤ 9 N
- Limited detent	≤ 45 N
- Full detent	≤ 68 N
Disengagement force	
- Smooth bore, Catcher's Mitt	≥ 2.2 N
- Limited detent	≥ 9 N
- Full detent	≥ 22 N

**Environmental data**

Temperature range	-65 °C to +155 °C
Rapid change of temperature	IEC 60068-2-14 (-65 °C to 155 °C, 1h dwell, 50 cycles)
Vibration	MIL-STD-202, Method 204, Condition B
Shock	MIL-STD-202, Method 213, Condition A
Damp heat	IEC 60068-2-78 (40°C, 93% RH, 56d)
High temperature endurance	IEC 61169-1, Sub-clause 9.6 (+155 °C, 1000 hours)
RoHS	compliant

**Tooling**

N/A

**Suitable cables**

N/A

**Weight**

Weight 0.9 g/pce

While the information has been carefully compiled to the best of our knowledge, nothing is intended as representation or warranty on our part and no statement herein shall be construed as recommendation to infringe existing patents. In the effort to improve our products, we reserve the right to make changes judged to be necessary.

For the installation of the electrotechnical equipment, particular electrotechnical expertise is required.



Dieses Dokument ist urheberrechtlich geschützt • This document is protected by copyright • Rosenberger Hochfrequenztechnik GmbH & Co. KG

RF\_35/09.14/6.2

Draft	Date	Approved	Date	Rev.	Engineering change number	Name	Date
B. Aicher	11.11.13	Chr. Janßen	26.10.20	d00	20-1927	S. Huber-Siegl	26.10.20

Rosenberger Hochfrequenztechnik GmbH & Co. KG P.O.Box 1260 D-84526 Tittmoning Germany <a href="http://www.rosenberger.de">www.rosenberger.de</a>				Tel. : +49 8684 18-0 Email : <a href="mailto:info@rosenberger.de">info@rosenberger.de</a>		Page 2 / 2	
--	--	--	--	--	--	---------------	--