

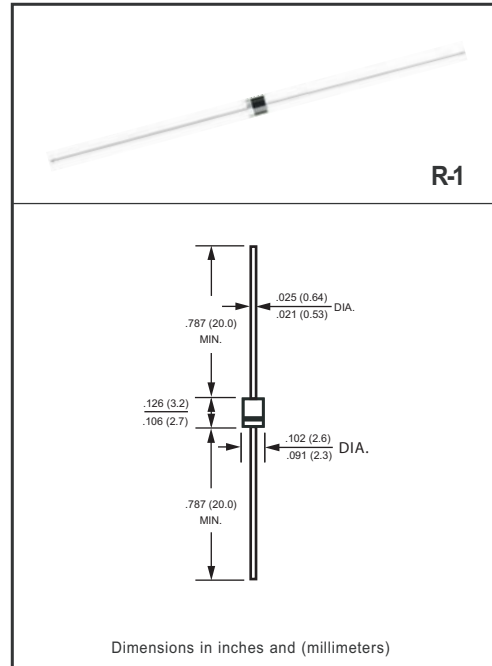
GLASS PASSIVATED SUPER FAST RECTIFIER
VOLTAGE RANGE 50 to 200 Volts CURRENT 1.0 Ampere

FEATURES

- * Glass passivated device
- * Ideal for surface mounted applications
- * Low leakage current
- * Metallurgically bonded construction
- * Mounting position: Any
- * Weight: 0.12 gram

MECHANICAL DATA

- * Epoxy : Device has UL flammability classification 94V-0



MAXIMUM RATINGS AND ELECTRICAL CHARACTERISTICS

Ratings at 25 °C ambient temperature unless otherwise specified.
resistive or inductive load.

MAXIMUM RATINGS (@ TA=25 °C unless otherwise noted)

RATINGS	SYMBOL	1E1	1E2	1E3	1E4	UNITS
Maximum Recurrent Peak Reverse Voltage	V _{RRM}	50	100	150	200	Volts
Maximum RMS Voltage	V _{RMS}	35	70	105	140	Volts
Maximum DC Blocking Voltage	V _{DC}	50	100	150	200	Volts
Maximum Average Forward Rectified Current at T _A = 55°C	I _O	1.0				Amps
Peak Forward Surge Current 8.3 ms single half sine-wave superimposed on rated load (JEDEC method)	I _{FSM}	25				Amps
Current Squared Time	I ² t	2.5				A ² Sec
Typical Thermal Resistance (Note 3)	R _{θJA}	100				°C/W
Operating and Storage Temperature Range	T _J , T _{STG}	-55 to + 150				°C

ELECTRICAL CHARACTERISTICS (@TA=25 °C unless otherwise noted)

CHARACTERISTICS	SYMBOL	1E1	1E2	1E3	1E4	UNITS
Maximum Instantaneous Forward Voltage at 1.0A DC	V _F	0.95				Volts
Maximum DC Reverse Current at Rated DC Blocking Voltage	@T _A = 25°C	5.0				uAmps
	@T _A = 100°C	100				
Maximum Reverse Recovery Time (Note 1)	t _{rr}	35				nSec

- NOTES : 1. Reverse Recovery Test Conditions: I_F = 0.5A, I_R = -1.0A, I_{RR} = -0.25A
2. "Fully ROHS compliant", "100% Sn plating (Pb-free)".
3. Thermal Resistance : Mounted on PCB.

RATING AND CHARACTERISTICS CURVES (1E1 THRU 1E4)

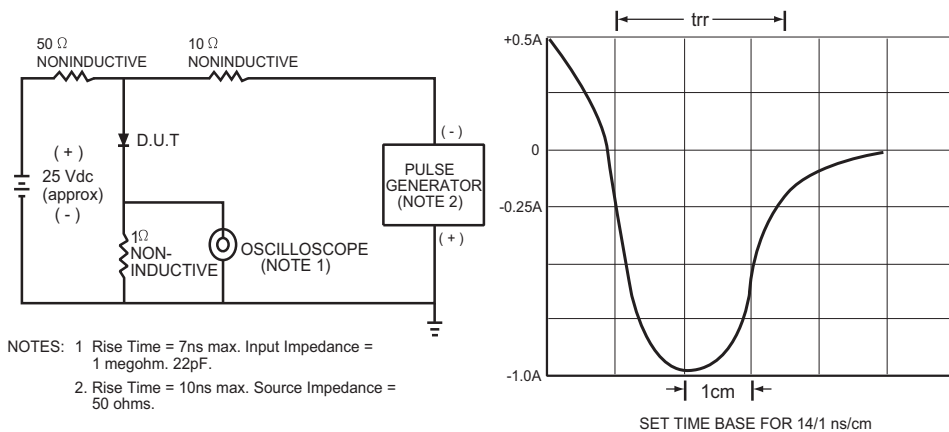


FIG.1 TEST CIRCUIT DIAGRAM AND REVERSE RECOVERY TIME CHARACTERISTIC

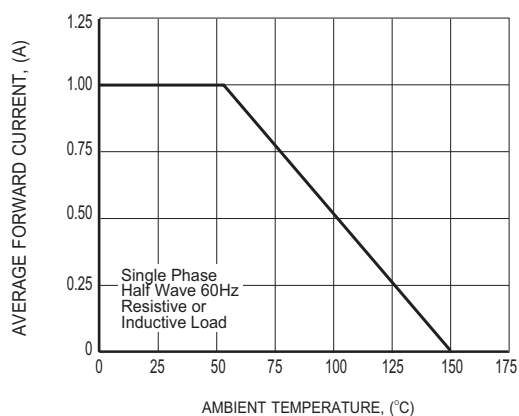


FIG.2 TYPICAL FORWARD CURRENT DERATING CURVE

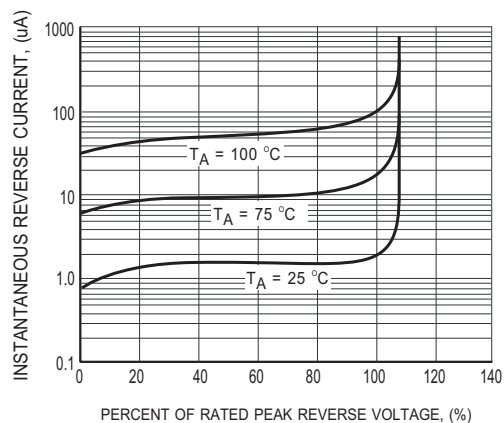


FIG.3 TYPICAL REVERSE CHARACTERISTICS

RATING AND CHARACTERISTICS CURVES (1E1 THRU 1E4)

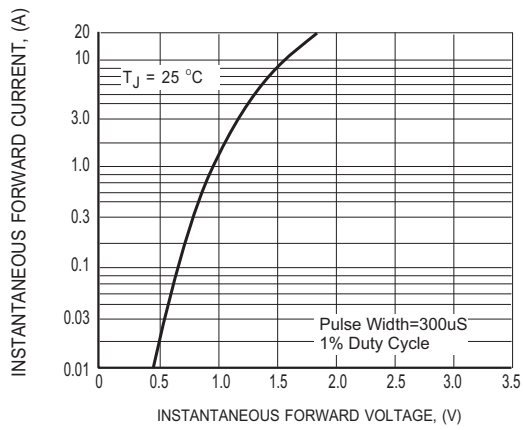


FIG.4 TYPICAL INSTANTANEOUS FORWARD CHARACTERISTICS

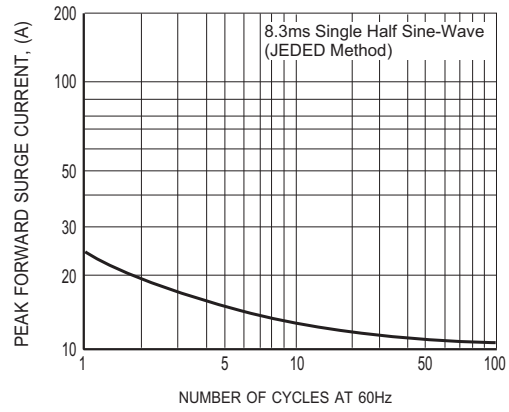
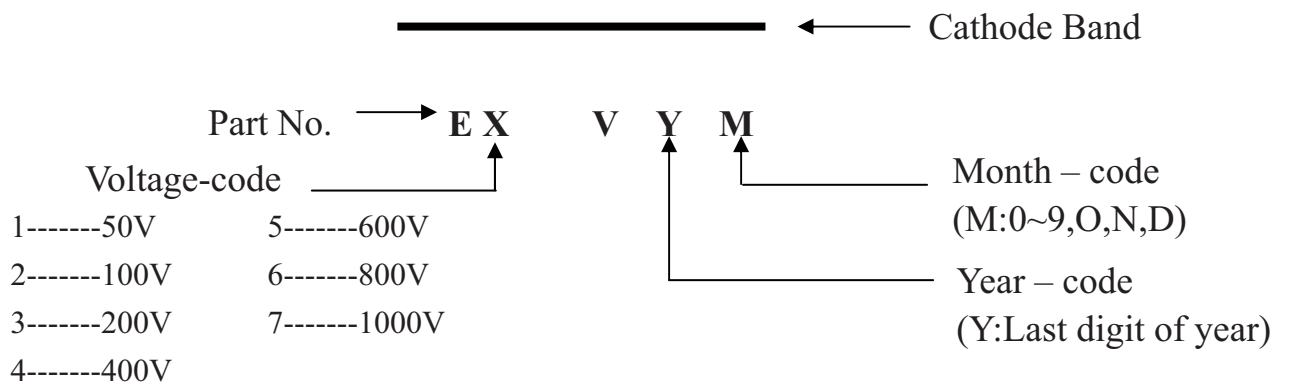


FIG.5 MAXIMUM NON-REPETITIVE FORWARD SURGE CURRENT

Marking Description



PACKAGING OF DIODE AND BRIDGE RECTIFIERS

REEL PACK

PACKAGE	PACKING CODE	EA PER REEL	EA PER INNER BOX	COMPONENT SPACE (mm)	TAPE SPACE (mm)	REEL DIA (mm)	CARTON SIZE (mm)	EA PER CARTON	GROSS WEIGHT(Kg)
R-1	-T	5,000	5,000	5.0	52	330	355*350*335	20,000	7.37

AMMO PACK

PACKAGE	PACKING CODE	REEL (EA)	COMPONENT SPACE(mm)	TAPE SPACE (mm)	BOX SIZE (mm)	CARTON SIZE(mm)	CARTON (EA)	GROSS WEIGHT (Kg)
R-1	-F	3,000	5.0	52	255*73*100	400*268*225	30,000	8.5
R-1	-E	3,000	5.0	26	256*48*94	365*270*217	42,000	8.35
R-1	-J	3,000	12.7	---	325*170*40	355*350*335	42,000	13.93
R-1	-I	2,000	12.7	---	325*170*40	355*350*335	28,000	9.69

BULK PACK

PACKAGE	PACKING CODE	EA PER BOX	INNER BOX SIZE (mm)	CARTON SIZE (mm)	EA PER CARTON	GROSS WEIGHT(Kg)
R-1	-B	1000	192*75*21	415*220*255	50,000	11.74