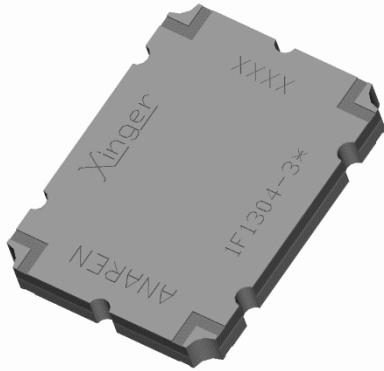


Xinger III

Hybrid Coupler
3 dB, 90°



Description:

The 1F1304-3S is a low profile 3dB hybrid coupler in an easy to use surface mount package covering 470 to 860 MHz. The 1F1304-3S is ideal for balanced amplifiers and signal distribution and can be used in most high power designs. Parts have been subjected to rigorous qualification testing and units are 100% tested. They are manufactured using materials with x and y thermal expansion coefficients compatible with common substrates such as FR4, G-10 and polyimide. Available in both 5 of 6 tin lead (1F1304-3) and 6 of 6 tin immersion (1F1304-3S) RoHS compliant finishes

Detailed Electrical Specifications:

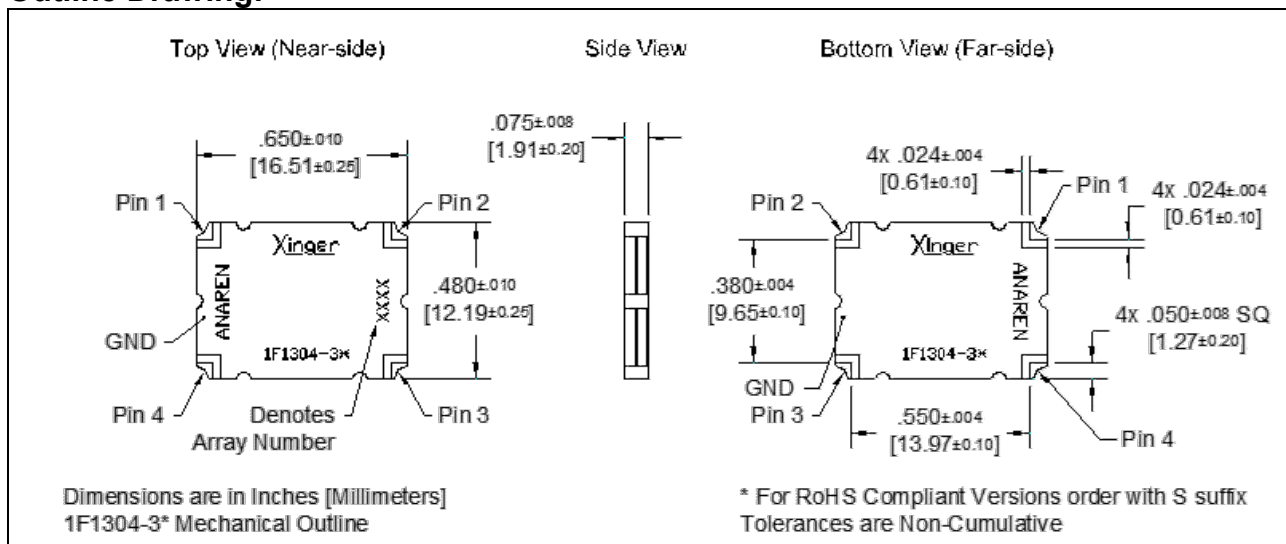
Features:

- 470 - 860 MHz
- Low loss
- High Isolation
- 90° Quadrature
- Surface Mountable
- Tape And Reel
- Convenient Package
- 100% Tested
- Lead Free Available

Frequency MHz	Isolation dB Min	Insertion Loss dB Max	VSWR Max:1	Amplitude Balance dB Max	Phase Balance Degrees	Power Ave. CW Watts	⊕JC °C/ Watt	Operating Temp. °C
470 - 860	21	0.40	1.25	± 0.50	± 3	100	8.6	-55 to +85

**Specification based on performance of unit properly installed on microstrip printed circuit boards with 50 Ω nominal impedance. Specifications subject to change without notice

Outline Drawing:



Typical Performance:

