

ABSOLUTE MAXIMUM RATINGS

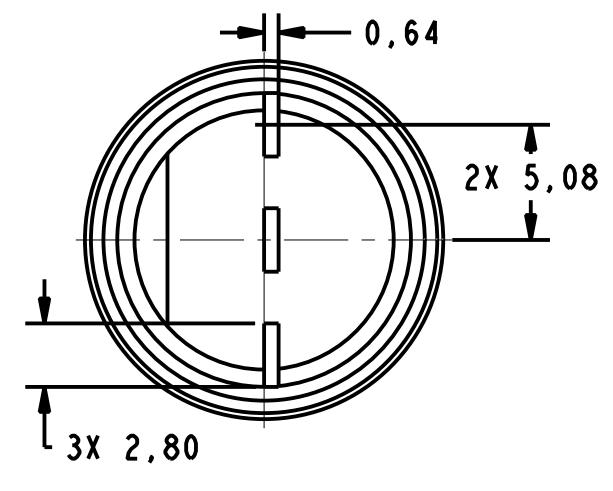
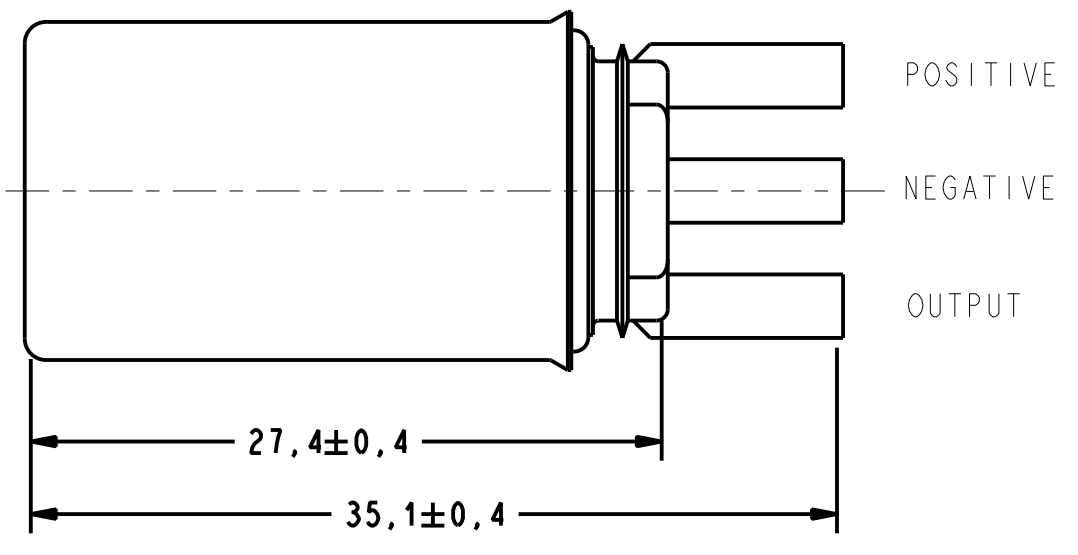
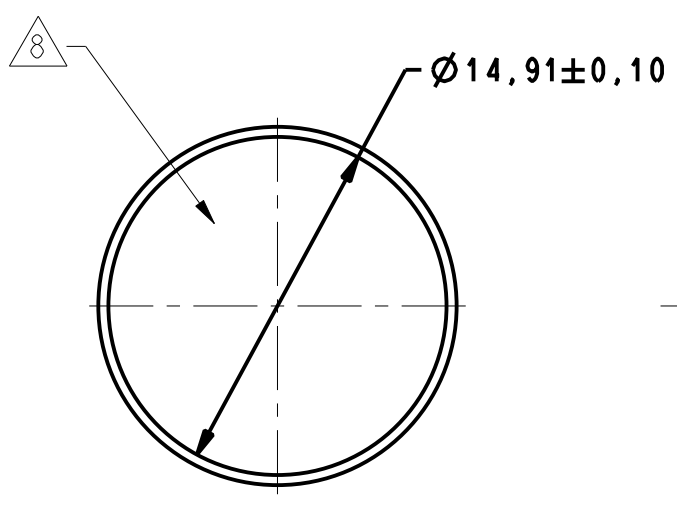
| | |
|--------------------------------------|----------------------------|
| SUPPLY VOLTAGE | +30V CONTINUOUS |
| VOLTAGE EXTERNALLY APPLIED TO OUTPUT | -0.5 TO +30V (OUTPUT HIGH) |
| OUTPUT CURRENT | 40 mA SINKING |
| TEMP | 150°C |

RECOMMENDED OPERATING CONDITIONS

| PARAMETER | CONDITIONS | MIN | TYP | MAX | UNITS |
|------------------------|-------------|-----|-----|------|-------|
| OPERATING TEMPERATURE | | -40 | | +150 | °C |
| SUPPLY VOLTAGE | | 4.5 | | 24 | VDC |
| SUPPLY CURRENT | | | 10 | 20 | mA |
| OUTPUT VOLTAGE | LOW OUTPUT | | | .6 | VDC |
| OUTPUT CURRENT | LOW OUTPUT | | | 20 | mA |
| OUTPUT LEAKAGE CURRENT | HIGH OUTPUT | | | 10 | µA |
| RISE TIME | 10% TO 90% | | | 15 | µS |
| FALL TIME | 90% TO 10% | | | 1.0 | µS |

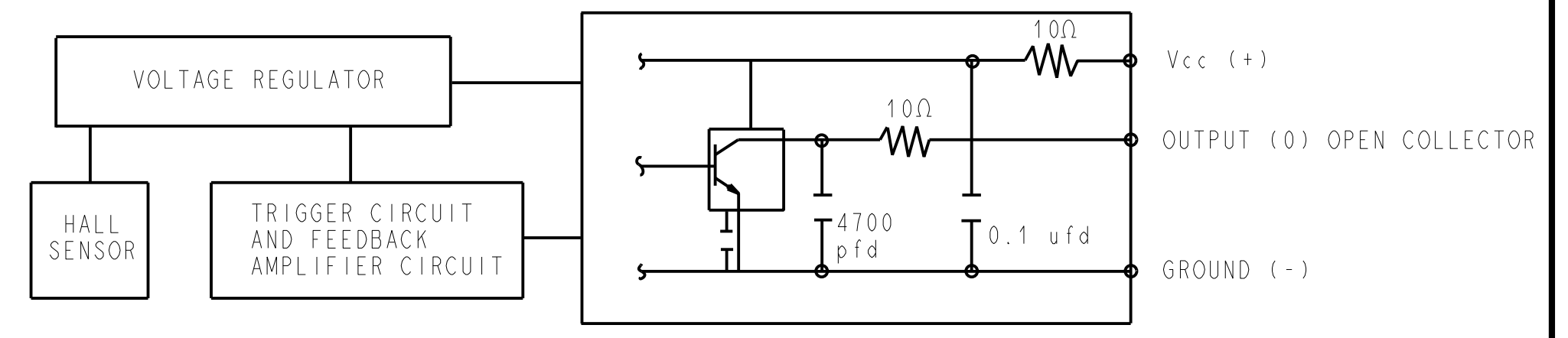
OPERATING SPECIFICATIONS

| | LIMIT | CONDITIONS | UNITS |
|-----------|--------------|--|-------------|
| △ OPERATE | 2.8° ± 1.5° | AIR GAP 0,13 - 2,03 V SUPPLY 4.5-24 | mm VOLTS |
| △ RELEASE | 3.0° ± 2.50° | TEMP -40 TO 150 RPM 10 TO 3600 | DEG |



NOTES

- 1 TARGET SHOULD BE MADE OF C-1018 STEEL OR ENGINEERING APPROVED EQUIVALENT, ANNEAL AFTER MACHINING OR FORMING
- 2 MAX LIMITS THAT SWITCH WILL WITHSTAND WITHOUT DAMAGE
- 3 OPERATING SPECIFICATION IS BASED ON TARGET SHOWN IN FIGURE 1 AND WILL VARY WITH TARGET GEOMETRY
- 4 OPERATE (DEGREES) IS THE ANGULAR DISTANCE FROM THE LEADING EDGE OF THE TOOTH TO THE CENTERLINE OF THE SENSOR
- 5 RELEASE (DEGREES) IS THE ANGULAR DISTANCE FROM THE TRAILING EDGE OF THE TOOTH TO THE CENTERLINE OF THE SENSOR
- 6 ELECTRICAL CHARACTERISTICS ARE GUARANTEED WITH MAX EXTERNAL LOAD CAPACITANCE < 550 pfd
- 7 AIR GAP IS THE DISTANCE FROM SENSOR FACE TO TARGET
- 8 CATALOG LISTING, DATE CODE AND SERIAL NUMBER LOCATED IN THIS AREA
- 9 - RELIABILITY AND EMI PERFORMANCE IS BASED ON TS 060 234
- 10 - FOR VALUE ADDED ASSEMBLY CONSIDERATIONS REFERENCE APPLICATION NOTE PK-80139



BLOCK DIAGRAM SHOWING CURRENT SINKING OUTPUT

1GP4001
 PAGE 1 OF 1
 DRAWING NUMBER
 ISSUE
 REVISIONS
 A COB3636
 12 SEP 96
 B COB3850
 3 JAN 97
 C COB4378
 4 APR 97
 D COB4610
 24 APR 97
 E COB4911
 8 AUG 97
 F 22827
 4 NOV 97
 G COB3464
 22 OCT 98
 H 95587
 2 FEB 00
 J 200453
 12 MAY 04
 PTC/CAD
 KAG 20MAR96
 JAFI 21MAR96
 CHECK
 RELEASE NO. DR-4887
 REPLACES X99110-GT

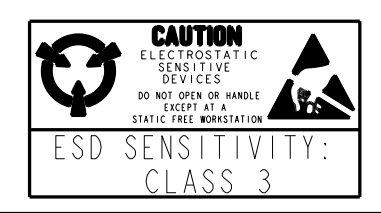
THIS DRAWING COVERS A PROPRIETARY ITEM AND IS THE PROPERTY OF MICRO SWITCH, A DIVISION OF HONEYWELL. THIS DRAWING IS NOT TO BE COPIED OR USED WITHOUT THE APPROVAL OF MICRO SWITCH.

MICRO SWITCH
a Honeywell Division

GEARTOOTH SENSOR

CATALOG LISTING
1GP4001

ANSI Y14.5M-1982 APPLIES
FED. MFG. CODE 91929



THIRD ANGLE PROJECTION

SCALE 3:1

DO NOT SCALE PRINT

UNLESS OTHERWISE SPECIFIED TOLERANCES ARE

NO PLACE (0) ± 1 MM

ONE PLACE (0,0) ± 0,4 MM

TWO PLACE (0,00) ± 0,15 MM

ANGLES ±

WEIGHT