



# Intel® Stratix® 10 Device Datasheet



**Online Version**



**Send Feedback**

**S10-DATASHEET**

ID: **683181**

Version: **2022.01.12**

## Contents

---

<b>Intel® Stratix® 10 Device Datasheet.....</b>	<b>3</b>
Electrical Characteristics.....	4
Operating Conditions.....	4
Switching Characteristics.....	28
Core Performance Specifications.....	28
Periphery Performance Specifications.....	36
L-Tile Transceiver Performance Specifications.....	47
H-Tile Transceiver Performance Specifications.....	56
E-Tile Transceiver Performance Specifications.....	65
P-Tile Transceiver Performance Specifications.....	68
HPS Performance Specifications.....	74
Configuration Specifications.....	104
General Configuration Timing Specifications.....	104
POR Specifications.....	105
External Configuration Clock Source Requirements.....	105
JTAG Configuration Timing.....	106
AS Configuration Timing.....	107
Avalon®-ST Configuration Timing.....	109
Configuration Bit Stream Sizes.....	112
I/O Timing.....	112
Programmable IOE Delay.....	113
Glossary.....	113
Document Revision History for the Intel Stratix 10 Device Datasheet.....	118

## Intel® Stratix® 10 Device Datasheet

This datasheet describes the electrical characteristics, switching characteristics, configuration specifications, and timing for Intel® Stratix® 10 devices.

**Table 1. Intel Stratix 10 Device Grades and Speed Grades Supported**

Device Grade	Speed Grade Supported
Extended	<ul style="list-style-type: none"> <li>• -E1V (fastest)</li> <li>• -E2V</li> <li>• -E2L</li> <li>• -E3V</li> <li>• -E3X</li> </ul>
Industrial	<ul style="list-style-type: none"> <li>• -I1V</li> <li>• -I2V</li> <li>• -I2L</li> <li>• -I3V</li> <li>• -I3X</li> </ul>
Commercial	<ul style="list-style-type: none"> <li>• -C2L</li> </ul>

The suffix after the speed grade denotes the power options offered in Intel Stratix 10 devices.

- V—SmartVID with standard static power. For “V” suffix devices, both  $V_{CC}$  and  $V_{CCP}$  must share the same SmartVID regulator.  $V_{CCL\_HPS}$  can share the same SmartVID regulator or can use a separate fixed voltage regulator.
- L—0.85 V fixed voltage with low static power
- X—0.85 V fixed voltage with lowest static power

**Table 2. Datasheet Status for Intel Stratix 10 Devices**

Variant	Datasheet Status
Intel Stratix 10 GX	Final (Preliminary for 1SG040HF35 device only)
Intel Stratix 10 SX	Final (Preliminary for 1SX040HF35 device only)
Intel Stratix 10 TX	Final
Intel Stratix 10 MX	Final
Intel Stratix 10 DX	Final <sup>(1)</sup>

**Note:** The *H-Tile Transmitter Specifications* table is still preliminary.

## Electrical Characteristics

The following sections describe the operating conditions and power consumption of Intel Stratix 10 devices.

### Operating Conditions

Intel Stratix 10 devices are rated according to a set of defined parameters. To maintain the highest possible performance and reliability of the Intel Stratix 10 devices, you must consider the operating requirements described in this section.

### Absolute Maximum Ratings

This section defines the maximum operating conditions for Intel Stratix 10 devices. The values are based on experiments conducted with the devices and theoretical modeling of breakdown and damage mechanisms. The functional operation of the device is not implied for these conditions.

**Caution:** Conditions outside the range listed in the following table may cause permanent damage to the device. Additionally, device operation at the absolute maximum ratings for extended periods of time may have adverse effects on the device.

---

<sup>(1)</sup> Specifications related to Intel Intellectual Property (IP) products, UPI IP, and DDR-T IP are preliminary.

**Table 3. Absolute Maximum Ratings for Intel Stratix 10 Devices**

Symbol	Description	Condition	Minimum	Maximum	Unit
V <sub>CC</sub>	Core voltage power supply	—	-0.50	1.26	V
V <sub>CCP</sub>	Periphery circuitry and transceiver fabric interface power supply	—	-0.50	1.26	V
V <sub>CCERAM</sub>	Embedded memory and digital transceiver power supply	—	-0.50	1.24	V
V <sub>CCPT</sub>	Power supply for programmable regulator and I/O pre-driver	—	-0.50	2.46	V
V <sub>CCBAT</sub>	Battery back-up power supply for design security volatile key register	—	-0.50	2.46	V
V <sub>CCIO_SDM</sub>	Configuration pins power supply	—	-0.50	2.19	V
V <sub>CCIO</sub>	I/O buffers power supply (except for 1SG040HF35 and 1SX040HF35 banks 3C and 3D)	3 V I/O	-0.50	4.10	V
		LVDS I/O <sup>(2)</sup>	-0.50	2.19	V
V <sub>CCIO3C</sub>	I/O buffers power supply for 1SG040HF35 and 1SX040HF35 devices bank 3C only	—	-0.50	3.63	V
V <sub>CCIO3D</sub>	I/O buffers power supply for 1SG040HF35 and 1SX040HF35 devices bank 3D only	—	-0.50	1.98	V
V <sub>CCA_PLL</sub>	Phase-locked loop (PLL) analog power supply	—	-0.50	2.46	V
V <sub>CCPLLDIG_SDM</sub>	Secure Device Manager (SDM) block PLL digital power supply	—	-0.50	1.21	V
V <sub>CCPLL_SDM</sub>	SDM block PLL analog power supply	—	-0.50	2.19	V
V <sub>CCFUSEWR_SDM</sub>	Fuse block writing power supply	—	-0.50	3.19	V
V <sub>CCADC</sub>	ADC voltage sensor power supply	—	-0.50	2.19	V
V <sub>CCIO_UIB</sub>	Power supply for the Universal Interface Bus between the core and embedded HBM2 memory	—	-0.30	1.50	V
V <sub>CCM_WORD</sub>	Power supply for the embedded HBM2 memory	—	-0.30	3.00	V
V <sub>CCT_GXB</sub>	Transmitter analog power supply	—	-0.50	1.47	V
V <sub>CCR_GXB</sub>	Receiver analog power supply	—	-0.50	1.47	V
V <sub>CCH_GXB</sub>	Transmitter output buffer power supply	—	-0.50	2.46	V

*continued...*

(2) The LVDS I/O values are applicable to all dedicated and dual-function configuration I/Os.

Symbol	Description	Condition	Minimum	Maximum	Unit
V <sub>CCRT_GXE</sub>	E-tile transceiver power supply	—	-0.50	1.21	V
V <sub>CCRTPLL_GXE</sub>	E-tile transceiver PLL power supply	—	-0.50	1.21	V
V <sub>CCH_GXE</sub>	E-tile transceiver analog power supply	—	-0.50	1.47	V
V <sub>CCCLK_GXE</sub>	E-tile transceiver LVPECL REFCLK power supply	—	-0.50	3.41	V
V <sub>CCRT_GXP</sub>	P-tile transceiver power supply	—	-0.50	1.21	V
V <sub>CCFUSE_GXP</sub>	P-tile transceiver eFuse power supply	—	-0.50	1.21	V
V <sub>CCH_GXP</sub>	P-tile transceiver analog power supply	—	-0.50	2.46	V
V <sub>CCCLK_GXP</sub>	P-tile transceiver I/O buffer power supply	—	-0.50	2.46	V
V <sub>CCL_HPS</sub>	HPS core voltage and periphery circuitry power supply	—	-0.50	1.30	V
V <sub>CCIO_HPS</sub>	HPS I/O buffers power supply	LVDS I/O <sup>(2)</sup>	-0.50	2.19	V
V <sub>CCPLL_HPS</sub>	HPS PLL power supply	—	-0.50	2.46	V
V <sub>I</sub>	DC input voltage	3.3 V I/O	-0.30	V <sub>CCIO</sub> + 0.33	V
		3 V I/O	-0.30	V <sub>CCIO</sub> + 0.65	V
		LVDS I/O	-0.30	V <sub>CCIO</sub> + 0.3	V
I <sub>OUT</sub>	DC output current per pin	—	-15 <sup>(3)(4)(5)(6)</sup> <sub>(7)</sub>	15	mA

continued...

- (3) The maximum current allowed through any LVDS I/O bank pin when the device is not turned on or during power-up/power-down conditions is 10 mA.
- (4) Total current per LVDS I/O bank must not exceed 100 mA.
- (5) Voltage level must not exceed 1.89 V.
- (6) Applies to all I/O standards and settings supported by LVDS I/O banks, including single-ended and differential I/Os.
- (7) Applies only to LVDS I/O banks. 3 V I/O banks are not covered under this specification and must be implemented as per the power sequencing requirement. For more details, refer to AN 692: *Power Sequencing Considerations for Intel Cyclone® 10 GX, Intel Arria® 10, and Intel Stratix 10 Devices and Intel Stratix 10 Power Management User Guide.*

Symbol	Description	Condition	Minimum	Maximum	Unit
T <sub>J</sub>	Absolute junction temperature for Intel Stratix 10 MX, NX, and DX 2100 devices	—	-55	120	°C
	Absolute junction temperature for Intel Stratix 10 GX 10M device	—	0	125	°C
	Absolute junction temperature for all other Intel Stratix 10 devices	—	-55	125	°C
T <sub>STG</sub>	Storage temperature (no bias) for Intel Stratix 10 MX, NX, and DX 2100 devices	—	-55	120	°C
	Storage temperature (no bias) for Intel Stratix 10 GX 10M device	—	0	125	°C
	Storage temperature (no bias) for all other Intel Stratix 10 devices	—	-55	150	°C

**Related Information**

- [AN 692: Power Sequencing Considerations for Intel Cyclone 10 GX, Intel Arria 10, and Intel Stratix 10 Devices](#)  
Provides the power sequencing requirements for Intel Stratix 10 devices.
- [Power Sequencing Considerations for Intel Stratix 10 Devices, Intel Stratix 10 Power Management User Guide](#)  
Provides the power sequencing requirements for Intel Stratix 10 devices.

**Maximum Allowed Overshoot and Undershoot Voltage**

During transitions, input signals may overshoot to the voltage listed in the following table and undershoot to -1.1 V for input currents less than 100 mA and periods shorter than 20 ns.

The maximum allowed overshoot duration is specified as a percentage of high time over the lifetime of the device. A DC signal is equivalent to 100% duty cycle.

For example, when using V<sub>CCIO</sub> = 1.8 V, a signal that overshoots to 2.44 V for LVDS I/O can only be at 2.44 V for ~6% over the lifetime of the device.

**Table 4. Maximum Allowed Overshoot During Transitions for Intel Stratix 10 Devices (for LVDS I/O)**

This table lists the maximum allowed input overshoot voltage and the duration of the overshoot voltage as a percentage of device lifetime.

Symbol	Description	LVDS I/O (V) <sup>(8)</sup>	Overshoot Duration as % at T <sub>J</sub> = 100°C	Unit
Vi (AC)	AC input voltage	V <sub>CCIO</sub> + 0.30	100	%
		V <sub>CCIO</sub> + 0.35	60	%
		V <sub>CCIO</sub> + 0.40	30	%
		V <sub>CCIO</sub> + 0.45	20	%
		V <sub>CCIO</sub> + 0.50	10	%
		V <sub>CCIO</sub> + 0.55	6	%
		> V <sub>CCIO</sub> + 0.55	No overshoot allowed	—

**Table 5. Maximum Allowed Overshoot During Transitions for Intel Stratix 10 Devices (for 3 V I/O)**

This table lists the maximum allowed input overshoot voltage and the duration of the overshoot voltage as a percentage of device lifetime.

Symbol	Description	3 V I/O (V)	Overshoot Duration as % at T <sub>J</sub> = 100°C	Unit
Vi (AC)	AC input voltage	V <sub>CCIO</sub> + 0.65	100	%
		V <sub>CCIO</sub> + 0.70	42	%
		V <sub>CCIO</sub> + 0.75	18	%
		V <sub>CCIO</sub> + 0.80	9	%
		V <sub>CCIO</sub> + 0.85	4	%
		> V <sub>CCIO</sub> + 0.85	No overshoot allowed	—

<sup>(8)</sup> The LVDS I/O values are applicable to all dedicated and dual-function configuration I/Os.



**Table 6. Maximum Allowed Overshoot During Transitions for Intel Stratix 10 Devices (for 3.3 V I/O)**

This table lists the maximum allowed input overshoot voltage and the duration of the overshoot voltage as a percentage of device lifetime.

Symbol	Description	3.3 V I/O (V)	Overshoot Duration as % at $T_j = 100^\circ\text{C}$	Unit
Vi (AC)	AC input voltage	$V_{CCIO} + 0.33$	100	%
		$V_{CCIO} + 0.41$	60	%
		$V_{CCIO} + 0.47$	40	%
		$V_{CCIO} + 0.69$	10	%
		$V_{CCIO} + 0.95$	2	%
		$> V_{CCIO} + 0.95$	No overshoot allowed	—

For an overshoot of 2.5 V, the percentage of high time for the overshoot can be as high as 100% over a 10-year period. Percentage of high time is calculated as  $([\Delta T]/T) \times 100$ . This 10-year period assumes that the device is always turned on with 100% I/O toggle rate and 50% duty cycle signal.

**Figure 1. Intel Stratix 10 Devices Overshoot Duration**



## Recommended Operating Conditions

This section lists the functional operation limits for the AC and DC parameters for Intel Stratix 10 devices.

## Recommended Operating Conditions

**Table 7. Recommended Operating Conditions for Intel Stratix 10 Devices**

This table lists the steady-state voltage values expected for Intel Stratix 10 devices. Power supply ramps must all be strictly monotonic, without plateaus.

Symbol	Description	Condition	Minimum <sup>(9)</sup>	Typical	Maximum <sup>(9)</sup>	Unit
V <sub>CC</sub>	Core voltage power supply for Intel Stratix 10 GX 10M device	-E2L, -C2L	0.85	0.88	0.91	V
	Core voltage power supply for all other Intel Stratix 10 devices	-E1V, -I1V, -E2V, -I2V, -E3V, -I3V <sup>(10)</sup>	(Typical) - 30 mV	0.8 - 0.94	(Typical) + 30 mV	V
		-E2L, -I2L, -E3X, -I3X	0.82	0.85	0.88	V
V <sub>CCP</sub>	Periphery circuitry and transceiver fabric interface power supply for Intel Stratix 10 GX 10M device	-E2L, -C2L	0.85	0.88	0.91	V
	Periphery circuitry and transceiver fabric interface power supply for all other Intel Stratix 10 devices	-E1V, -I1V, -E2V, -I2V, -E3V, -I3V <sup>(10)</sup>	(Typical) - 30 mV	0.8 - 0.94	(Typical) + 30 mV	V
		-E2L, -I2L, -E3X, -I3X	0.82	0.85	0.88	V
V <sub>CCIO_SDM</sub>	Configuration pins power supply	1.8 V	1.71	1.8	1.89	V
V <sub>CCPLLDIG_SDM</sub>	Secure Device Manager (SDM) block PLL digital power supply	—	0.87	0.9	0.93	V
V <sub>CCPLL_SDM</sub>	SDM block PLL analog power supply	—	1.71	1.8	1.89	V
V <sub>CCFUSEWR_SDM</sub>	Fuse block writing power supply	—	2.35	2.4	2.45	V
V <sub>CCADC</sub>	ADC voltage sensor power supply	—	1.71	1.8	1.89	V
V <sub>CCERAM</sub>	Embedded memory and digital transceiver power supply	0.9 V	0.87	0.9	0.93	V

*continued...*

<sup>(9)</sup> This value describes the required voltage measured between the PCB power and ground ball during normal device operation. The voltage ripple includes both regulator DC ripple and the dynamic noise. Refer to power distribution network (PDN) tool for PCB power distribution network design.

<sup>(10)</sup> The use of Power Management Bus (PMBus\*) voltage regulator dedicated to Intel Stratix 10 SmartVID devices is mandatory for V<sub>CC</sub> and V<sub>CCP</sub>. The PMBus voltage regulator and Intel Stratix 10 SmartVID devices are connected via PMBus.

Symbol	Description	Condition	Minimum <sup>(9)</sup>	Typical	Maximum <sup>(9)</sup>	Unit
V <sub>CCBAT</sub> <sup>(11)</sup>	Battery back-up power supply (For design security volatile key register)	—	1.2	—	1.8	V
V <sub>CCPT</sub>	Power supply for programmable regulator and I/O pre-driver	1.8 V	1.71	1.8	1.89	V
V <sub>CCIO</sub>	I/O buffers power supply for LVDS I/O (except for 1SG040HF35 and 1SX040HF35 banks 3C and 3D)	1.8 V	1.71	1.8	1.89	V
		1.5 V	1.425	1.5	1.575	V
		1.35 V	1.283	1.35	1.45	V
		1.25 V	1.19	1.25	1.31	V
		1.2 V	1.14	1.2	1.26	V
V <sub>CCIO3V</sub>	I/O buffers power supply for 3 V I/O	3.0 V	2.85	3	3.15	V
		2.5 V	2.375	2.5	2.625	V
		1.8 V	1.71	1.8	1.89	V
		1.5 V	1.425	1.5	1.575	V
		1.2 V	1.14	1.2	1.26	V
V <sub>CCIO3C</sub>	I/O buffers power supply for 1SG040HF35 and 1SX040HF35 devices bank 3C only	3.3 V	3.135	3.3	3.465	V
		3.0 V	2.85	3	3.15	V
V <sub>CCIO3D</sub>	I/O buffers power supply for 1SG040HF35 and 1SX040HF35 devices bank 3D only	1.8 V	1.71	1.8	1.89	V
V <sub>CCIO_UIB</sub>	Power supply for the Universal Interface Bus between the core and embedded HBM2 memory	1.2 V	1.17	1.2	1.23	V
V <sub>CCM_WORD</sub>	Power supply for the embedded HBM2 memory	—	2.4	2.5	2.6	V

*continued...*

<sup>(9)</sup> This value describes the required voltage measured between the PCB power and ground ball during normal device operation. The voltage ripple includes both regulator DC ripple and the dynamic noise. Refer to power distribution network (PDN) tool for PCB power distribution network design.

<sup>(11)</sup> Intel recommends connecting V<sub>CCBAT</sub> to a 1.8 V power supply if you do not use the design security feature in Intel Stratix 10 devices.

Symbol	Description	Condition	Minimum <sup>(9)</sup>	Typical	Maximum <sup>(9)</sup>	Unit
V <sub>CCA_PLL</sub>	PLL analog voltage regulator power supply	—	1.71	1.8	1.89	V
V <sub>I</sub> <sup>(12)(13)</sup>	DC input voltage	3.3 V I/O	-0.3	—	V <sub>CCIO</sub> + 0.33	V
		3 V I/O	-0.3	—	V <sub>CCIO</sub> + 0.65	V
		LVDS I/O	-0.3	—	V <sub>CCIO</sub> + 0.3	V
V <sub>O</sub>	Output voltage	—	0	—	V <sub>CCIO</sub>	V
T <sub>J</sub>	Operating junction temperature for Intel Stratix 10 MX, NX, and DX 2100 devices	Extended <sup>(14)</sup>	0	—	100 <sup>(15)</sup>	°C
	Operating junction temperature for Intel Stratix 10 GX 10M device	Commercial	25	—	85	°C
		Extended	0	—	100	°C
	Operating junction temperature for all other Intel Stratix 10 devices	Extended	0	—	100	°C
Industrial		-40 (-20 for E-tile devices) <sup>(16)</sup>	—	100	°C	
t <sub>RAMP</sub> <sup>(17)(18)(19)</sup>	Power supply ramp time	Standard POR	200 μs	—	100 ms	—

<sup>(9)</sup> This value describes the required voltage measured between the PCB power and ground ball during normal device operation. The voltage ripple includes both regulator DC ripple and the dynamic noise. Refer to power distribution network (PDN) tool for PCB power distribution network design.

<sup>(12)</sup> The LVDS I/O values are applicable to all dedicated and dual-function configuration I/Os.

<sup>(13)</sup> This value applies to both input and tri-stated output configuration. Pin voltage should not be externally pulled higher than the maximum value.

<sup>(14)</sup> Intel Stratix 10 MX, NX, and DX 2100 devices are generally offered in Extended temperature range only. If Industrial temperature range is required, note that you can configure these devices at less than 0°C, but the HBM2 interface will be held in reset and will not be calibrated until T<sub>J</sub> reaches 0°C. Contact your Intel sales representative for the availability of Intel Stratix 10 MX, NX, and DX 2100 Industrial temperature range devices.

<sup>(15)</sup> Recommended maximum operating temperature for HBM2 is 95°C.

## Transceiver Power Supply Operating Conditions

**Table 8. Transceiver Power Supply Operating Conditions for Intel Stratix 10 GX/SX L-Tile Devices in a Non-Bonded Configuration**

Symbol	Description	Datarate	Minimum	Typical	Maximum	Unit
V <sub>CCT_GXB[L,R]</sub> and V <sub>CCR_GXB[L,R]</sub>	Chip-to-chip <sup>(20)</sup>	1.0 Gbps to 26.6 Gbps <sup>(21)</sup> <sup>(22)</sup>	1.1	1.12	1.14	V
		1.0 Gbps to 17.4 Gbps <sup>(21)</sup> <sup>(22)</sup>	1.0	1.03 <sup>(23)</sup>	1.06	V
	Backplane <sup>(24)</sup>	1.0 Gbps to 12.5 Gbps <sup>(21)</sup>	1.0	1.03 <sup>(25)</sup> , <sup>(23)</sup>	1.06	V
V <sub>CCH_GXB[L,R]</sub>	Transceiver high voltage power	—	1.71 <sup>(26)</sup>	1.8	1.89	V

- 
- <sup>(16)</sup> E-tile supports an operating temperature range of –40°C to 100°C. However, the E-tile transceivers may experience a higher error rate from –40°C to –20°C because of the calibration procedure when starting at a low temperature. Therefore, the recommended operating temperature range for E-tile protocol-compliant transceiver links is –20°C to 100°C. The environmental temperature ramp rate for the device is limited to 2°C per minute, otherwise, the device would not be compliant and may lead to link activity failure.
  - <sup>(17)</sup> t<sub>RAMP</sub> is the ramp time of each individual power supply, not the ramp time of all combined power supplies.
  - <sup>(18)</sup> To support AS fast mode, all power supplies to the Intel Stratix 10 device must be fully ramped-up within 10 ms to the recommended operating conditions.
  - <sup>(19)</sup> To support AS normal mode, V<sub>CCIO\_SDM</sub> of the Intel Stratix 10 device must be fully ramped-up within 10 ms to the recommended operating condition.
  - <sup>(20)</sup> Chip-to-chip refers to transceiver links that are short reach and do not require advanced equalization such as decision feedback equalization (DFE).
  - <sup>(21)</sup> Stratix 10 transceivers can support data rates below 1.0 Gbps through over sampling.
  - <sup>(22)</sup> Bonded channels operating at datarates above 16.0 Gbps require 1.12 V ±20 mV at the pin. For channels that are placed on the same tile as the channels that require 1.12 V ±20 mV, V<sub>CCR\_GXB</sub> and V<sub>CCT\_GXB</sub> = 1.12 V ±20 mV.

**Table 9. Transceiver Power Supply Operating Conditions for Intel Stratix 10 GX/SX L-Tile Devices in a Bonded Configuration**

Symbol	Description	Datarate	Minimum	Typical	Maximum	Unit
V <sub>CCT_GXB[L,R]</sub> and V <sub>CCR_GXB[L,R]</sub>	Chip-to-chip <sup>(20)</sup>	1.0 Gbps to 16.0 Gbps <sup>(21)</sup>	1.0	1.03 <sup>(23)</sup>	1.06	V
		> 16.0 Gbps to 17.4 Gbps <sup>(21)</sup> <sup>(22)</sup>	1.1	1.12	1.14	V
	Backplane <sup>(24)</sup>	1.0 Gbps to 12.5 Gbps <sup>(21)</sup>	1.0	1.03 <sup>(25)</sup> , <sup>(23)</sup>	1.06	V
V <sub>CCH_GXB[L,R]</sub>	Transceiver high voltage power	—	1.71 <sup>(26)</sup>	1.8	1.89	V

**Table 10. Transceiver Power Supply Operating Conditions for Intel Stratix 10 GX/SX/MX/TX H-Tile Devices in a Non-Bonded Configuration**

Symbol	Description	Datarate	Minimum	Typical	Maximum	Unit
V <sub>CCT_GXB[L,R]</sub> and V <sub>CCR_GXB[L,R]</sub>	Chip-to-chip <sup>(20)</sup> and Backplane <sup>(24)</sup>	1.0 Gbps to 28.3 Gbps (GXT) <sup>(21)</sup>	1.1	1.12	1.14	V
		1.0 Gbps to 17.4 Gbps (GX) <sup>(21)</sup>	1.0	1.03 <sup>(23)</sup>	1.06	V
V <sub>CCH_GXB[L,R]</sub>	Transceiver high voltage power	—	1.71 <sup>(26)</sup>	1.8	1.89	V

<sup>(23)</sup> For a 1.03-V typical voltage, the maximum/minimum should be  $\pm 30$  mV; hence,  $V_{MAX} = 1.06$  V. However, when these channels share the power supply with channels requiring a 1.12-V typical voltage, these channels should increase typical voltage to 1.12 V, with a maximum/minimum  $\pm 20$  mV; hence  $V_{MAX} = 1.14$  V.

<sup>(24)</sup> Backplane applications refer to ones which require advanced equalization, such as DFE enabled, to compensate for channel loss.

<sup>(25)</sup> Refer to the Intel Quartus® Prime Pro Edition software for the typical nominal value.

<sup>(26)</sup> In an optical transfer network (OTN) application, the minimum VCCH voltage specification at the package pin is 1.77 V.

**Table 11. Transceiver Power Supply Operating Conditions for Intel Stratix 10 GX/SX/MX/TX H-Tile Devices in a Bonded Configuration**

Symbol	Description	Datarate	Minimum	Typical	Maximum	Unit
V <sub>CCCT_GXB[L,R]</sub> and V <sub>VCCR_GXB[L,R]</sub>	Chip-to-chip <sup>(20)</sup> and Backplane <sup>(24)</sup>	1.0 Gbps to 16.0 Gbps <sup>(21)</sup>	1.0	1.03 <sup>(23)</sup>	1.06	V
		> 16.0 Gbps to 17.4 Gbps <sup>(21)</sup>	1.1	1.12	1.14	V
V <sub>CCH_GXB[L,R]</sub>	Transceiver high voltage power	—	1.71 <sup>(26)</sup>	1.8	1.89	V

**Note:** Most VCCR\_GXB and VCCT\_GXB pins associated with unused transceiver channels can be grounded on a per-tile basis to minimize power consumption. Refer to the *Intel Stratix 10 Device Family Pin Connection Guidelines* and the Intel Quartus Prime pin report for information about pinning out the package to minimize power consumption for your specific design.

**Table 12. Transceiver Power Supply Operating Conditions for Intel Stratix 10 TX/MX E-Tile Devices**

Symbol	Description	Minimum <sup>(27)</sup>	Typical	Maximum <sup>(27)</sup>	Unit	Noise Mask (at ball grid array (BGA))
V <sub>CCRT_GXE</sub> <sup>(28)</sup>	Transceiver power supply	0.87	0.9	0.93	V	20 mVpp (100 kHz to 400 kHz) 3 mVpp (3 MHz to 500 MHz) 10 mVpp at 1 GHz
V <sub>CCRTPLL_GXE</sub> <sup>(28)</sup>	Transceiver PLL power supply	0.87	0.9	0.93	V	6 mVpp at 100 kHz 1 mVpp (600 kHz to 10 MHz) 10 mVpp at 1 GHz
V <sub>CCH_GXE</sub>	Analog power supply	1.067	1.1	1.133	V	10 mVpp (800 kHz to 500 MHz)
V <sub>CCCLK_GXE</sub>	LVPECL REFCLK power supply	2.375	2.5	2.625	V	—

<sup>(27)</sup> This value describes the budget for the DC (static) power supply tolerance and does not include the dynamic tolerance requirements. Refer to the PDN tool for the additional budget for the dynamic tolerance requirements.

<sup>(28)</sup> The difference between V<sub>CCRT</sub>/V<sub>CCRTPLL</sub> and V<sub>CCH</sub> should be no less than 200 mV.

**Table 13. Transceiver Power Supply Operating Conditions for Intel Stratix 10 DX P-Tile Devices**

The specifications below should be met at the board level via direct connection to the package power balls. Place the voltage rail (VR) sense point in the FPGA pinfield as close as possible to the corresponding package power balls. For these rails, measure the output voltage at this remote sense location.

Symbol	Description	Data Rate	Minimum	Typical	Maximum	Unit
V <sub>CCRT_GXP</sub> <sup>(29)</sup>	Transceiver power supply	Up to 16 Gbps <sup>(30)</sup>	0.87	0.90	0.93	V
V <sub>CCFUSE_GXP</sub> <sup>(29)</sup>	P-tile eFuse power supply		0.87	0.90	0.93	V
V <sub>CCCLK_GXP</sub> <sup>(31) (32)</sup>	P-tile I/O buffer power supply		1.75	1.80	1.85	V
V <sub>CCH_GXP</sub> <sup>(31) (32)</sup>	High voltage power for Transceiver		1.75	1.80	1.85	V

**Related Information**

[Intel Stratix 10 Device Family Pin Connection Guidelines](#)

<sup>(29)</sup> The recommended DC setpoint is 0.5% of the typical value, the recommended VR ripple and AC transient sum up to 2.5% of the typical value.

<sup>(30)</sup> The data rate includes Intel PCIe\* Gen1 through Gen4 protocols and Intel UPI protocol at 9.6 Gbps, 10.4 Gbps, and 11.2 Gbps in future releases.

<sup>(31)</sup> The recommended DC setpoint is 0.5% of the typical value, the recommended VR ripple is 0.5% of the typical value, and the recommended AC transient is 2% of the typical value.

<sup>(32)</sup> Follow the more stringent tolerance range for the voltage rails connecting multiple power supplies.



## HPS Power Supply Operating Conditions

**Table 14. HPS Power Supply Operating Conditions for Intel Stratix 10 Devices**

This table lists the steady-state voltage and current values expected for Intel Stratix 10 system-on-a-chip (SoC) devices with Arm\*-based hard processor system (HPS). Power supply ramps must all be strictly monotonic, without plateaus. Refer to Recommended Operating Conditions for Intel Stratix 10 Devices table for the steady-state voltage values expected from the FPGA portion of the Intel Stratix 10 SoC devices.

Symbol	Description	Condition	Minimum	Typical	Maximum	Unit
V <sub>CC_LHPS</sub>	HPS core voltage and periphery circuitry power supply	-E2L, -I2L, -E3X, -I3X	0.87	0.9	0.93	V
			0.91	0.94	0.97	V
		-E1V, -I1V, -E2V, -I2V, -E3V, -I3V <sup>(33)</sup>	0.77 – 0.91	0.8 – 0.94	0.83 – 0.97	V
			0.87	0.9	0.93	V
V <sub>CC_PLLDIG_HPS</sub>	HPS PLL digital power supply	-E2L, -I2L, -E3X, -I3X	0.87	0.9	0.93	V
			0.91	0.94	0.97	V
		-E1V, -I1V, -E2V, -I2V, -E3V, -I3V <sup>(33)</sup>	0.77 – 0.91	0.8 – 0.94	0.83 – 0.97	V
			0.87	0.9	0.93	V
V <sub>CC_PLL_HPS</sub>	HPS PLL analog power supply	1.8 V	1.71	1.8	1.89	V
			1.71	1.8	1.89	V
V <sub>CC_IO_HPS</sub>	HPS I/O buffers power supply	1.8 V	1.71	1.8	1.89	V

### Related Information

- [Recommended Operating Conditions](#) on page 10  
Provides the steady-state voltage values for the FPGA portion of the device.
- [HPS Clock Performance](#) on page 74

<sup>(33)</sup> When using the V suffix devices, the use of Power Management Bus (PMBus) voltage regulator dedicated to Intel Stratix 10 SmartVID devices is mandatory for V<sub>CC</sub> and V<sub>CCP</sub>. The PMBus voltage regulator and Intel Stratix 10 SmartVID devices are connected via PMBus. V<sub>CC\_LHPS</sub> and V<sub>CC\_PLLDIG\_HPS</sub> may be connected to the PMBus voltage regulator or a fixed voltage.

## DC Characteristics

### Supply Current and Power Consumption

Intel offers two ways to estimate power for your design—the Intel FPGA Power and Thermal Calculator (PTC) and the Intel Quartus Prime Power Analyzer feature.

Use the PTC before you start your design to estimate the supply current for your design. The PTC provides a magnitude estimate of the device power because these currents vary greatly with the usage of the resources.

The Intel Quartus Prime Power Analyzer provides better quality estimates based on the specifics of the design after you complete place-and-route. The Power Analyzer can apply a combination of user-entered, simulation-derived, and estimated signal activities that, when combined with detailed circuit models, yield very accurate power estimates.

### I/O Pin Leakage Current

**Table 15. I/O Pin Leakage Current for Intel Stratix 10 Devices**

Symbol	Description	Condition	Min	Max	Unit
$I_I$	Input pin leakage	$V_I = 0\text{ V to }V_{CCIOMAX}$	-80	80	$\mu\text{A}$
$I_{I_{3.3VIO}}$	Input pin leakage for 3.3 V I/O pin	$V_I = 0\text{ V to }V_{CCIOMAX}$	-2	2	$\mu\text{A}$
$I_{OZ}$	Tri-stated I/O pin leakage	$V_O = 0\text{ V to }V_{CCIOMAX}$	-80	80	$\mu\text{A}$

### Bus Hold Specifications

The bus-hold trip points are based on calculated input voltages from the JEDEC\* standard.

**Table 16. Bus Hold Parameters for Intel Stratix 10 Devices**

Parameter	Symbol	Condition	V <sub>CCIO</sub> (V)										Unit
			1.2		1.5		1.8		2.5		3.0		
			Min	Max	Min	Max	Min	Max	Min	Max	Min	Max	
Bus-hold, low, sustaining current	I <sub>SUSL</sub>	V <sub>IN</sub> > V <sub>IL</sub> (max)	8	—	12	—	30	—	60	—	70	—	μA
Bus-hold, high, sustaining current	I <sub>SUSH</sub>	V <sub>IN</sub> < V <sub>IH</sub> (min)	-8	—	-12	—	-30	—	-60	—	-70	—	μA
Bus-hold, low, overdrive current	I <sub>ODL</sub>	0 V < V <sub>IN</sub> < V <sub>CCIO</sub>	—	125	—	175	—	200	—	300	—	500	μA
Bus-hold, high, overdrive current	I <sub>ODH</sub>	0 V < V <sub>IN</sub> < V <sub>CCIO</sub>	—	-125	—	-175	—	-200	—	-300	—	-500	μA
Bus-hold trip point	V <sub>TRIP</sub>	—	0.3	0.9	0.38	1.13	0.68	1.07	0.7	1.7	0.8	2	V

**OCT Calibration Accuracy Specifications**

If you enable on-chip termination (OCT) calibration, calibration is automatically performed at power up for I/Os connected to the calibration block.

**Table 17. OCT Calibration Accuracy Specifications for Intel Stratix 10 Devices**

Calibration accuracy for the calibrated on-chip series termination (R<sub>S</sub> OCT) and on-chip parallel termination (R<sub>T</sub> OCT) are applicable at the moment of calibration. When process, voltage, and temperature (PVT) conditions change after calibration, the tolerance may change.

Symbol	Description	Condition (V)	Calibration Accuracy			Unit
			-E1, -I1	-E2, -I2	-E3, -I3	
34-Ω, 48-Ω, 60-Ω, 80-Ω, 120-Ω, and 240-Ω R <sub>S</sub>	Internal series termination with calibration (34-Ω, 48-Ω, 60-Ω, 80-Ω, 120-Ω, and 240-Ω setting)	V <sub>CCIO</sub> = 1.2	±15	±15	±15	%
34-Ω and 40-Ω R <sub>S</sub>	Internal series termination with calibration (34-Ω and 40-Ω setting)	V <sub>CCIO</sub> = 1.5, 1.35, 1.25, 1.2	±15	±15	±15	%
25-Ω and 50-Ω R <sub>S</sub>	Internal series termination with calibration (25-Ω and 50-Ω setting)	V <sub>CCIO</sub> = 1.8, 1.5, 1.2	±15	±15	±15	%

*continued...*

Symbol	Description	Condition (V)	Calibration Accuracy			Unit
			-E1, -I1	-E2, -I2	-E3, -I3	
34-Ω, 40-Ω, 48-Ω, 60-Ω, 80-Ω, 120-Ω, and 240-Ω R <sub>T</sub>	Internal parallel termination with calibration (34-Ω, 40-Ω, 48-Ω, 60-Ω, 80-Ω, 120-Ω, and 240-Ω setting)	POD12 I/O standard, V <sub>CCIO</sub> = 1.2	±15	±15	±15	%
48-Ω, 50-Ω, 60-Ω, and 120-Ω R <sub>T</sub>	Internal parallel termination with calibration (48-Ω, 50-Ω, 60-Ω, and 120-Ω setting)	V <sub>CCIO</sub> = 1.5, 1.2	-10 to +60	-10 to +60	-10 to +60	%
48-Ω, 60-Ω, and 120-Ω R <sub>T</sub>	Internal parallel termination with calibration (48-Ω, 60-Ω, and 120-Ω setting)	V <sub>CCIO</sub> = 1.25	-10 to +70	-10 to +70	-10 to +70	%
48-Ω, 60-Ω, and 120-Ω R <sub>T</sub>	Internal parallel termination with calibration (48-Ω, 60-Ω, and 120-Ω setting)	V <sub>CCIO</sub> = 1.35	-10 to +65	-10 to +65	-10 to +65	%
50-Ω R <sub>T</sub>	Internal parallel termination with calibration (50-Ω setting)	V <sub>CCIO</sub> = 1.8	-10 to +50	-10 to +50	-10 to +50	%

## OCT Without Calibration Resistance Tolerance Specifications

**Table 18. OCT Without Calibration Resistance Tolerance Specifications for Intel Stratix 10 Devices**

This table lists the Intel Stratix 10 OCT without calibration resistance tolerance to PVT changes.

Symbol	Description	I/O Buffer Type	Condition (V)	Resistance Tolerance			Unit
				-E1, -I1	-E2, -I2	-E3, -I3	
25-Ω and 50-Ω R <sub>S</sub>	Internal series termination without calibration (25-Ω and 50-Ω setting)	3 V I/O	V <sub>CCIO</sub> = 3.0, 2.5, 1.8, 1.5, 1.2	-40 to +30	±40	±40	%
25-Ω and 50-Ω R <sub>S</sub>	Internal series termination without calibration (25-Ω and 50-Ω setting)	LVDS I/O	V <sub>CCIO</sub> = 1.8, 1.5, 1.2	-20 to +35	-20 to +35	-20 to +35	%

*continued...*

Symbol	Description	I/O Buffer Type	Condition (V)	Resistance Tolerance			Unit
				-E1, -I1	-E2, -I2	-E3, -I3	
34-Ω and 40-Ω R <sub>S</sub>	Internal series termination without calibration (34-Ω and 40-Ω setting)	LVDS I/O	V <sub>CCIO</sub> = 1.5, 1.35, 1.25, 1.2	-20 to +35	-20 to +35	-20 to +35	%
48-Ω, 60-Ω, 80-Ω, and 240-Ω R <sub>S</sub>	Internal series termination without calibration (48-Ω, 60-Ω, 80-Ω, and 240-Ω setting)	LVDS I/O	V <sub>CCIO</sub> = 1.2	-20 to +35	-20 to +35	-20 to +35	%
100-Ω R <sub>D</sub>	Internal differential termination (100-Ω setting)	LVDS I/O	V <sub>CCIO</sub> = 1.8	±25	±35	±40	%

### Pin Capacitance

**Table 19. Pin Capacitance for Intel Stratix 10 Devices**

Symbol	Description	Maximum	Unit
C <sub>IO_COLUMN</sub>	Input capacitance on column I/O pins	3.5	pF
C <sub>IO_3.3VIO</sub>	Input/output capacitance of I/O pins	5	pF
C <sub>OUTFB</sub>	Input capacitance on dual-purpose clock output/feedback pins	3.5	pF

### Internal Weak Pull-Up Resistor

All I/O pins, except configuration, test, and JTAG pins, have an option to enable weak pull-up. For SDM and HPS, the configuration I/O and peripheral I/O are supported with weak pull-up and weak pull-down options. The internal weak pull-down feature is only supported in selected HPS and SDM I/O. The typical value for this internal weak pull-down resistor is approximately 25 kΩ.

**Table 20. Internal Weak Pull-Up Resistor Values for Intel Stratix 10 Devices**

Symbol	Description	Condition (V)	Nominal Value	Resistance Tolerance	Unit
R <sub>PU</sub>	Value of the I/O pin pull-up resistor before and during configuration, as well as user mode if you have enabled the programmable pull-up resistor option.	V <sub>CCIO</sub> = 3.0 ±5%	25	±25%	kΩ
		V <sub>CCIO</sub> = 2.5 ±5%	25	±25%	kΩ
		V <sub>CCIO</sub> = 1.8 ±5%	25	±25%	kΩ

*continued...*

Symbol	Description	Condition (V)	Nominal Value	Resistance Tolerance	Unit
		$V_{CCIO} = 1.5 \pm 5\%$	25	$\pm 25\%$	k $\Omega$
		$V_{CCIO} = 1.35 \pm 5\%$	25	$\pm 25\%$	k $\Omega$
		$V_{CCIO} = 1.25 \pm 5\%$	25	$\pm 25\%$	k $\Omega$
		$V_{CCIO} = 1.2 \pm 5\%$	25	$\pm 25\%$	k $\Omega$

**Related Information**

- [Intel Stratix 10 Device Family Pin Connection Guidelines](#)  
 Provides more information about the pins that support internal weak pull-up and internal weak pull-down features.
- [Intel Stratix 10 Configuration Pins, Intel Stratix 10 Configuration User Guide](#)  
 Provides more information about the SDM I/O pins weak pull-up and weak pull-down features.

**I/O Standard Specifications**

Tables in this section list the input voltage ( $V_{IH}$  and  $V_{IL}$ ), output voltage ( $V_{OH}$  and  $V_{OL}$ ), and current drive characteristics ( $I_{OH}$  and  $I_{OL}$ ) for various I/O standards supported by Intel Stratix 10 devices.

For minimum voltage values, use the minimum  $V_{CCIO}$  values. For maximum voltage values, use the maximum  $V_{CCIO}$  values.

You must perform timing closure analysis to determine the maximum achievable frequency for general purpose I/O standards.

**Related Information**

[Recommended Operating Conditions](#) on page 10

## Single-Ended I/O Standards Specifications

**Table 21. Single-Ended I/O Standards Specifications for Intel Stratix 10 Devices**

I/O Standard	V <sub>CCIO</sub> (V)			V <sub>IL</sub> (V)		V <sub>IH</sub> (V)		V <sub>OL</sub> (V)	V <sub>OH</sub> (V)	I <sub>OL</sub> <sup>(34)</sup> (mA)	I <sub>OH</sub> <sup>(34)</sup> (mA)
	Min	Typ	Max	Min	Max	Min	Max	Max	Min		
3.3 V LVTTTL, 3.3 V LVCMOS <sup>(35)</sup>	3.135	3.3	3.465	-0.3	0.8	2	3.6	0.4	2.4	4	-4
3.0 V LVTTTL, 3.0 V LVCMOS <sup>(35)</sup>	2.85	3	3.15	-0.3	0.8	2	3.6	0.4	2.4	4	-4
3.0 V LVTTTL	2.85	3	3.15	-0.3	0.8	1.7	3.6	0.4	2.4	2	-2
3.0 V LVCMOS	2.85	3	3.15	-0.3	0.8	1.7	3.6	0.2	V <sub>CCIO</sub> - 0.2	0.1	-0.1
2.5 V	2.375	2.5	2.625	-0.3	0.7	1.7	3.3	0.4	2	1	-1
1.8 V	1.71	1.8	1.89	-0.3	0.35 × V <sub>CCIO</sub>	0.65 × V <sub>CCIO</sub>	V <sub>CCIO</sub> + 0.3	0.45	V <sub>CCIO</sub> - 0.45	2	-2
1.5 V	1.425	1.5	1.575	-0.3	0.35 × V <sub>CCIO</sub>	0.65 × V <sub>CCIO</sub>	V <sub>CCIO</sub> + 0.3	0.25 × V <sub>CCIO</sub>	0.75 × V <sub>CCIO</sub>	2	-2
1.2 V	1.14	1.2	1.26	-0.3	0.35 × V <sub>CCIO</sub>	0.65 × V <sub>CCIO</sub>	V <sub>CCIO</sub> + 0.3	0.25 × V <sub>CCIO</sub>	0.75 × V <sub>CCIO</sub>	2	-2
Schmitt Trigger Input	1.71	1.8	1.89	—	0.35 × V <sub>CCIO</sub>	0.65 × V <sub>CCIO</sub>	—	—	—	—	—

<sup>(34)</sup> To meet the I<sub>OL</sub> and I<sub>OH</sub> specifications, you must set the current strength settings accordingly. For example, to meet the 1.8- V LVCMOS specification (4 mA), you should set the current strength settings to 4 mA. Setting at lower current strength may not meet the I<sub>OL</sub> and I<sub>OH</sub> specifications in the datasheet.

<sup>(35)</sup> Specifications for 3.3 V LVTTTL, 3.3 V LVCMOS, 3.0 V LVTTTL, and 3.0 V LVCMOS I/O standards supported in 1SG040HF35 or 1SX040HF35 devices I/O bank 3C only.

### Single-Ended SSTL, HSTL, and HSUL I/O Reference Voltage Specifications

**Table 22. Single-Ended SSTL, HSTL, and HSUL I/O Reference Voltage Specifications for Intel Stratix 10 Devices**

I/O Standard	V <sub>CCIO</sub> (V)			V <sub>REF</sub> (V)			V <sub>TT</sub> (V)		
	Min	Typ	Max	Min	Typ	Max	Min	Typ	Max
SSTL-18 Class I, II	1.71	1.8	1.89	0.833	0.9	0.969	V <sub>REF</sub> - 0.04	V <sub>REF</sub>	V <sub>REF</sub> + 0.04
SSTL-15 Class I, II	1.425	1.5	1.575	0.49 × V <sub>CCIO</sub>	0.5 × V <sub>CCIO</sub>	0.51 × V <sub>CCIO</sub>	0.49 × V <sub>CCIO</sub>	0.5 × V <sub>CCIO</sub>	0.51 × V <sub>CCIO</sub>
SSTL-135	1.283	1.35	1.45	0.49 × V <sub>CCIO</sub>	0.5 × V <sub>CCIO</sub>	0.51 × V <sub>CCIO</sub>	0.49 × V <sub>CCIO</sub>	0.5 × V <sub>CCIO</sub>	0.51 × V <sub>CCIO</sub>
SSTL-125	1.19	1.25	1.31	0.49 × V <sub>CCIO</sub>	0.5 × V <sub>CCIO</sub>	0.51 × V <sub>CCIO</sub>	0.49 × V <sub>CCIO</sub>	0.5 × V <sub>CCIO</sub>	0.51 × V <sub>CCIO</sub>
SSTL-12	1.14	1.2	1.26	0.49 × V <sub>CCIO</sub>	0.5 × V <sub>CCIO</sub>	0.51 × V <sub>CCIO</sub>	0.49 × V <sub>CCIO</sub>	0.5 × V <sub>CCIO</sub>	0.51 × V <sub>CCIO</sub>
HSTL-18 Class I, II	1.71	1.8	1.89	0.85	0.9	0.95	—	V <sub>CCIO</sub> /2	—
HSTL-15 Class I, II	1.425	1.5	1.575	0.68	0.75	0.9	—	V <sub>CCIO</sub> /2	—
HSTL-12 Class I, II	1.14	1.2	1.26	0.47 × V <sub>CCIO</sub>	0.5 × V <sub>CCIO</sub>	0.53 × V <sub>CCIO</sub>	—	V <sub>CCIO</sub> /2	—
HSUL-12	1.14	1.2	1.3	0.49 × V <sub>CCIO</sub>	0.5 × V <sub>CCIO</sub>	0.51 × V <sub>CCIO</sub>	—	—	—
POD12	1.14	1.2	1.26	—	Internally calibrated	—	—	V <sub>CCIO</sub>	—



### Single-Ended SSTL, HSTL, and HSUL I/O Standards Signal Specifications

**Table 23. Single-Ended SSTL, HSTL, and HSUL I/O Standards Signal Specifications for Intel Stratix 10 Devices**

I/O Standard	V <sub>IL(DC)</sub> (V)		V <sub>IH(DC)</sub> (V)		V <sub>IL(AC)</sub> (V)	V <sub>IH(AC)</sub> (V)	V <sub>OL</sub> (V)	V <sub>OH</sub> (V)	I <sub>OL</sub> <sup>(36)</sup> (mA)	I <sub>OH</sub> <sup>(36)</sup> (mA)
	Min	Max	Min	Max	Max	Min	Max	Min		
SSTL-18 Class I	-0.3	V <sub>REF</sub> - 0.125	V <sub>REF</sub> + 0.125	V <sub>CCIO</sub> + 0.3	V <sub>REF</sub> - 0.25	V <sub>REF</sub> + 0.25	V <sub>TT</sub> - 0.603	V <sub>TT</sub> + 0.603	6.7	-6.7
SSTL-18 Class II	-0.3	V <sub>REF</sub> - 0.125	V <sub>REF</sub> + 0.125	V <sub>CCIO</sub> + 0.3	V <sub>REF</sub> - 0.25	V <sub>REF</sub> + 0.25	0.28	V <sub>CCIO</sub> - 0.28	13.4	-13.4
SSTL-15 Class I	—	V <sub>REF</sub> - 0.1	V <sub>REF</sub> + 0.1	—	V <sub>REF</sub> - 0.175	V <sub>REF</sub> + 0.175	0.2 × V <sub>CCIO</sub>	0.8 × V <sub>CCIO</sub>	8	-8
SSTL-15 Class II	—	V <sub>REF</sub> - 0.1	V <sub>REF</sub> + 0.1	—	V <sub>REF</sub> - 0.175	V <sub>REF</sub> + 0.175	0.2 × V <sub>CCIO</sub>	0.8 × V <sub>CCIO</sub>	16	-16
SSTL-135	—	V <sub>REF</sub> - 0.09	V <sub>REF</sub> + 0.09	—	V <sub>REF</sub> - 0.16	V <sub>REF</sub> + 0.16	0.2 × V <sub>CCIO</sub>	0.8 × V <sub>CCIO</sub>	—	—
SSTL-125	—	V <sub>REF</sub> - 0.09	V <sub>REF</sub> + 0.09	—	V <sub>REF</sub> - 0.15	V <sub>REF</sub> + 0.15	0.2 × V <sub>CCIO</sub>	0.8 × V <sub>CCIO</sub>	—	—
SSTL-12	—	V <sub>REF</sub> - 0.10	V <sub>REF</sub> + 0.10	—	V <sub>REF</sub> - 0.15	V <sub>REF</sub> + 0.15	0.2 × V <sub>CCIO</sub>	0.8 × V <sub>CCIO</sub>	—	—
HSTL-18 Class I	—	V <sub>REF</sub> - 0.1	V <sub>REF</sub> + 0.1	—	V <sub>REF</sub> - 0.2	V <sub>REF</sub> + 0.2	0.4	V <sub>CCIO</sub> - 0.4	8	-8
HSTL-18 Class II	—	V <sub>REF</sub> - 0.1	V <sub>REF</sub> + 0.1	—	V <sub>REF</sub> - 0.2	V <sub>REF</sub> + 0.2	0.4	V <sub>CCIO</sub> - 0.4	16	-16
HSTL-15 Class I	—	V <sub>REF</sub> - 0.1	V <sub>REF</sub> + 0.1	—	V <sub>REF</sub> - 0.2	V <sub>REF</sub> + 0.2	0.4	V <sub>CCIO</sub> - 0.4	8	-8
HSTL-15 Class II	—	V <sub>REF</sub> - 0.1	V <sub>REF</sub> + 0.1	—	V <sub>REF</sub> - 0.2	V <sub>REF</sub> + 0.2	0.4	V <sub>CCIO</sub> - 0.4	16	-16
HSTL-12 Class I	-0.15	V <sub>REF</sub> - 0.08	V <sub>REF</sub> + 0.08	V <sub>CCIO</sub> + 0.15	V <sub>REF</sub> - 0.15	V <sub>REF</sub> + 0.15	0.25 × V <sub>CCIO</sub>	0.75 × V <sub>CCIO</sub>	8	-8
HSTL-12 Class II	-0.15	V <sub>REF</sub> - 0.08	V <sub>REF</sub> + 0.08	V <sub>CCIO</sub> + 0.15	V <sub>REF</sub> - 0.15	V <sub>REF</sub> + 0.15	0.25 × V <sub>CCIO</sub>	0.75 × V <sub>CCIO</sub>	16	-16
HSUL-12	—	V <sub>REF</sub> - 0.13	V <sub>REF</sub> + 0.13	—	V <sub>REF</sub> - 0.22	V <sub>REF</sub> + 0.22	0.1 × V <sub>CCIO</sub>	0.9 × V <sub>CCIO</sub>	—	—
POD12	-0.15	V <sub>REF</sub> - 0.08	V <sub>REF</sub> + 0.08	V <sub>CCIO</sub> + 0.15	V <sub>REF</sub> - 0.15	V <sub>REF</sub> + 0.15	—	—	—	—

<sup>(36)</sup> To meet the I<sub>OL</sub> and I<sub>OH</sub> specifications, you must set the current strength settings accordingly. For example, to meet the SSTL15CI specification (8 mA), you should set the current strength settings to 8 mA. Setting at lower current strength may not meet the I<sub>OL</sub> and I<sub>OH</sub> specifications in the datasheet.

## Differential SSTL I/O Standards Specifications

**Table 24. Differential SSTL I/O Standards Specifications for Intel Stratix 10 Devices**

I/O Standard	V <sub>CCIO</sub> (V)			V <sub>SWING(DC)</sub> (V)		V <sub>SWING(AC)</sub> (V)		V <sub>IX(AC)</sub> (V)		
	Min	Typ	Max	Min	Max	Min	Max	Min	Typ	Max
SSTL-18 Class I, II	1.71	1.8	1.89	0.25	V <sub>CCIO</sub> + 0.6	0.5	V <sub>CCIO</sub> + 0.6	V <sub>CCIO</sub> /2 - 0.175	—	V <sub>CCIO</sub> /2 + 0.175
SSTL-15 Class I, II	1.425	1.5	1.575	0.2	(37)	$2(V_{IH(AC)} - V_{REF})$	$2(V_{REF} - V_{IL(AC)})$	V <sub>CCIO</sub> /2 - 0.15	—	V <sub>CCIO</sub> /2 + 0.15
SSTL-135	1.283	1.35	1.45	0.18	(37)	$2(V_{IH(AC)} - V_{REF})$	$2(V_{IL(AC)} - V_{REF})$	V <sub>CCIO</sub> /2 - 0.15	—	V <sub>CCIO</sub> /2 + 0.15
SSTL-125	1.19	1.25	1.31	0.18	(37)	$2(V_{IH(AC)} - V_{REF})$	$2(V_{IL(AC)} - V_{REF})$	V <sub>CCIO</sub> /2 - 0.15	—	V <sub>CCIO</sub> /2 + 0.15
SSTL-12	1.14	1.2	1.26	0.16	(37)	$2(V_{IH(AC)} - V_{REF})$	$2(V_{IL(AC)} - V_{REF})$	V <sub>REF</sub> - 0.15	V <sub>CCIO</sub> /2	V <sub>REF</sub> + 0.15

## Differential HSTL and HSUL I/O Standards Specifications

**Table 25. Differential HSTL and HSUL I/O Standards Specifications for Intel Stratix 10 Devices**

I/O Standard	V <sub>CCIO</sub> (V)			V <sub>DIF(DC)</sub> (V)		V <sub>DIF(AC)</sub> (V)		V <sub>X(AC)</sub> (V)			V <sub>CM(DC)</sub> (V)		
	Min	Typ	Max	Min	Max	Min	Max	Min	Typ	Max	Min	Typ	Max
HSTL-18 Class I, II	1.71	1.8	1.89	0.2	—	0.4	—	0.78	—	1.12	0.78	—	1.12
HSTL-15 Class I, II	1.425	1.5	1.575	0.2	—	0.4	—	0.68	—	0.9	0.68	—	0.9
HSTL-12 Class I, II	1.14	1.2	1.26	0.16	V <sub>CCIO</sub> + 0.3	0.3	V <sub>CCIO</sub> + 0.48	—	0.5 × V <sub>CCIO</sub>	—	0.4 × V <sub>CCIO</sub>	0.5 × V <sub>CCIO</sub>	0.6 × V <sub>CCIO</sub>
HSUL-12	1.14	1.2	1.3	$2(V_{IH(DC)} - V_{REF})$	$2(V_{REF} - V_{IH(DC)})$	$2(V_{IH(AC)} - V_{REF})$	$2(V_{REF} - V_{IH(AC)})$	$0.5 \times V_{CCIO} - 0.12$	0.5 × V <sub>CCIO</sub>	$0.5 \times V_{CCIO} + 0.12$	0.4 × V <sub>CCIO</sub>	0.5 × V <sub>CCIO</sub>	0.6 × V <sub>CCIO</sub>

(37) The maximum value for V<sub>SWING(DC)</sub> is not defined. However, each single-ended signal needs to be within the respective single-ended limits (V<sub>IH(DC)</sub> and V<sub>IL(DC)</sub>).

## Differential I/O Standards Specifications

**Table 26. Differential I/O Standards Specifications for Intel Stratix 10 Devices**

I/O Standard	V <sub>CCIO</sub> (V)			V <sub>ID</sub> (mV) <sup>(38)</sup>		V <sub>ICM(DC)</sub> (V)			V <sub>OD</sub> (V) <sup>(39) (40)</sup>			V <sub>OCM</sub> (V) <sup>(39)</sup>		
	Min	Typ	Max	Min	Max	Min	Condition	Max	Min	Typ	Max	Min	Typ	Max
LVDS <sup>(41)</sup>	1.71	1.8	1.89	100	—	0.05	Data rate ≤700 Mbps	1.65	0.247	—	0.6	1.125	1.25	1.375
						1	Data rate >700 Mbps	1.6						
RSDS <sup>(42)</sup>	1.71	1.8	1.89	100	—	0.3	—	1.4	0.1	0.2	0.6	0.5	1.2	1.4
Mini-LVDS <sup>(43)</sup>	1.71	1.8	1.89	200	600	0.4	—	1.325	0.25	—	0.6	1	1.2	1.4
LVPECL <sup>(44)</sup>	1.71	1.8	1.89	300	—	0.6	Data rate ≤700 Mbps	1.7	—	—	—	—	—	—
						1	Data rate >700 Mbps	1.6						

(38) The minimum V<sub>ID</sub> value is applicable over the entire common mode range, V<sub>CM</sub>.

(39) R<sub>L</sub> range: 90 ≤ R<sub>L</sub> ≤ 110 Ω.

(40) The specification is only applicable to default V<sub>OD</sub> setting. Intel recommends performing IBIS or HSPICE simulation to estimate the buffer's electrical performance when non-default V<sub>OD</sub> setting is used.

(41) For optimized LVDS receiver performance, the receiver voltage input range must be within 1.0 V to 1.6 V for data rates above 700 Mbps and 0.05 V to 1.65 V for data rates below 700 Mbps.

(42) For optimized RSDS receiver performance, the receiver voltage input range must be within 0.3 V to 1.4 V.

(43) For optimized Mini-LVDS receiver performance, the receiver voltage input range must be within 0.4 V to 1.325 V.

(44) For optimized LVPECL receiver performance, the receiver voltage input range must be within 0.85 V to 1.75 V for data rates above 700 Mbps and 0.45 V to 1.95 V for data rates below 700 Mbps.

## Switching Characteristics

This section provides the performance characteristics of Intel Stratix 10 core and periphery blocks.

### Core Performance Specifications

#### Clock Tree Specifications

**Table 27. Clock Tree Performance for Intel Stratix 10 Devices**

Parameter	Performance			Unit
	-E1V, -I1V	-E2V, -E2L, -I2V, -I2L, -C2L	-E3V, -E3X, -I3V, -I3X	
Programmable clock routing	1,000	900	780	MHz

### PLL Specifications

#### Fractional PLL Specifications

**Table 28. Fractional PLL Specifications for Intel Stratix 10 Devices**

These specifications are applicable when fPLL is used in core mode.

Symbol	Parameter	Condition	Min	Typ	Max	Unit
$f_{IN}$	Input clock frequency	—	29	—	800 <sup>(45)</sup>	MHz
$f_{INPFD}$	Input clock frequency to the phase frequency detector (PFD)	—	29	—	700	MHz
$f_{VCO}$	PLL voltage-controlled oscillator (VCO) operating range for core applications	—	6	—	14.025	GHz
$t_{EINDUTY}$	Input clock duty cycle	—	40	—	60	%
$f_{OUT}$	Output frequency for internal clock	—	—	—	1	GHz

*continued...*

<sup>(45)</sup> This specification is limited by the I/O maximum frequency. The maximum achievable I/O frequency is different for each I/O standard and is dependent on design and system specific factors. Ensure proper timing closure in your design and perform HSPICE/IBIS simulations based on your specific design and system setup to determine the maximum achievable frequency in your system.

Symbol	Parameter	Condition	Min	Typ	Max	Unit
f <sub>DYCONFIGCLK</sub>	Dynamic configuration clock for reconfig_clk	—	—	—	125	MHz
t <sub>LOCK</sub>	Time required to lock from end-of-device configuration	—	—	—	1	ms
t <sub>DLOCK</sub>	Time required to lock dynamically (after switchover or reconfiguring any non-post-scale counters/delays)	—	—	—	1	ms
f <sub>CLBW</sub>	PLL closed-loop bandwidth	—	0.3	—	4	MHz
t <sub>INCCJ</sub> <sup>(46), (47)</sup>	Input clock cycle-to-cycle jitter	F <sub>REF</sub> ≥ 100 MHz	—	—	0.13	UI (p-p)
		F <sub>REF</sub> < 100 MHz	—	—	±650	ps (p-p)
t <sub>OUTPJ</sub> <sup>(48)</sup>	Period jitter for clock output	F <sub>OUT</sub> ≥ 100 MHz	—	—	600	ps (p-p)
		F <sub>OUT</sub> < 100 MHz	—	—	60	mUI (p-p)
t <sub>OUTCCJ</sub> <sup>(48)</sup>	Cycle-to-cycle jitter for clock output	F <sub>OUT</sub> ≥ 100 MHz	—	—	600	ps (p-p)
		F <sub>OUT</sub> < 100 MHz	—	—	60	mUI (p-p)
dK <sub>BIT</sub>	Bit number of Delta Sigma Modulator (DSM)	—	—	32	—	bit

### Related Information

[Memory Output Clock Jitter Specifications](#) on page 44

Provides more information about the external memory interface clock output jitter specifications.

<sup>(46)</sup> A high input jitter directly affects the PLL output jitter. To have low PLL output clock jitter, you must provide a clean clock source with jitter < 120 ps.

<sup>(47)</sup> F<sub>REF</sub> is f<sub>IN</sub>/N, specification applies when N = 1.

<sup>(48)</sup> External memory interface clock output jitter specifications use a different measurement method, which are available in Memory Output Clock Jitter Specifications for Intel Stratix 10 Devices table.

**I/O PLL Specifications**
**Table 29. I/O PLL Specifications for Intel Stratix 10 Devices**

Symbol	Parameter	Condition	Min	Typ	Max	Unit
$f_{IN}$	Input clock frequency	-1 speed grade	10	—	1,100 <sup>(49)</sup>	MHz
		-2 speed grade	10	—	900 <sup>(49)</sup>	MHz
		-3 speed grade	10	—	750 <sup>(49)</sup>	MHz
$f_{INPFD}$	Input clock frequency to the PFD	—	10	—	325	MHz
$f_{VCO}$	PLL VCO operating range	-1 speed grade	600	—	1,600	MHz
		-2 speed grade	600	—	1,434	MHz
		-3 speed grade	600	—	1,280 <sup>(50)</sup>	MHz
$f_{CLBW}$	PLL closed-loop bandwidth	—	0.5	—	10	MHz
$t_{EINDUTY}$	Input clock or external feedback clock input duty cycle	—	40	—	60	%
$f_{OUT}$	Output frequency for internal clock (C counter)	-1 speed grade	—	—	1,100	MHz
		-2 speed grade	—	—	900	MHz
		-3 speed grade	—	—	750	MHz
$f_{OUT\_EXT}$	Output frequency for external clock output	-1 speed grade	—	—	800	MHz
		-2 speed grade	—	—	720	MHz
		-3 speed grade	—	—	650	MHz

*continued...*

<sup>(49)</sup> This specification is limited by the I/O maximum frequency. The maximum achievable I/O frequency is different for each I/O standard and is dependent on design and system specific factors. Ensure proper timing closure in your design and perform HSPICE/IBIS simulations based on your specific design and system setup to determine the maximum achievable frequency in your system.

<sup>(50)</sup> This specification is only applicable when the I/O PLL is instantiated with the IOPLL Intel FPGA IP core. For I/O PLL instantiated with LVDS SERDES Intel FPGA IP core, PHY Lite for Parallel Interfaces Intel Stratix 10 FPGA IP core, External Memory Interfaces Intel Stratix 10 FPGA IP core, and High Bandwidth Memory (HBM-2) Interface Intel FPGA IP core, the maximum  $f_{VCO}$  is 1,250 MHz.

Symbol	Parameter	Condition	Min	Typ	Max	Unit
t <sub>OUTDUTY</sub>	Duty cycle for dedicated external clock output (when set to 50%)	—	45	50	55	%
t <sub>FCOMP</sub>	External feedback clock compensation time	—	—	—	5	ns
f <sub>DYCONFIGCLK</sub>	Dynamic configuration clock for <code>mgmt_clk</code> and <code>scanclk</code>	—	—	—	200	MHz
t <sub>LOCK</sub>	Time required to lock from end-of-device configuration or deassertion of <code>areset</code>	—	—	—	1	ms
t <sub>DLOCK</sub>	Time required to lock dynamically (after switchover or reconfiguring any non-post-scale counters/delays)	—	—	—	1	ms
t <sub>PLL_PSERR</sub>	Accuracy of PLL phase shift	—	—	—	±50	ps
t <sub>ARESET</sub>	Minimum pulse width on the <code>areset</code> signal	—	10	—	—	ns
t <sub>INCCJ</sub> <sup>(51)(52)</sup>	Input clock cycle-to-cycle jitter	F <sub>REF</sub> ≥ 100 MHz	—	—	0.15	UI (p-p)
		F <sub>REF</sub> < 100 MHz	—	—	±750	ps (p-p)
t <sub>OUTPJ_DC</sub>	Period jitter for dedicated clock output	F <sub>OUT</sub> ≥ 100 MHz	—	—	175	ps (p-p)
		F <sub>OUT</sub> < 100 MHz	—	—	17.5	mUI (p-p)
t <sub>OUTCCJ_DC</sub>	Cycle-to-cycle jitter for dedicated clock output	F <sub>OUT</sub> ≥ 100 MHz	—	—	175	ps (p-p)
		F <sub>OUT</sub> < 100 MHz	—	—	17.5	mUI (p-p)
t <sub>OUTPJ_IO</sub> <sup>(53)</sup>	Period jitter for clock output on the regular I/O	F <sub>OUT</sub> ≥ 100 MHz	—	—	600	ps (p-p)
		F <sub>OUT</sub> < 100 MHz	—	—	60	mUI (p-p)

*continued...*

- (51) A high input jitter directly affects the PLL output jitter. To have low PLL output clock jitter, you must provide a clean clock source with jitter < 120 ps.
- (52) F<sub>REF</sub> is f<sub>IN</sub>/N, specification applies when N = 1.
- (53) External memory interface clock output jitter specifications use a different measurement method, which are available in Memory Output Clock Jitter Specifications for Intel Stratix 10 Devices table.

Symbol	Parameter	Condition	Min	Typ	Max	Unit
t <sub>OUTCCJ_IO</sub> <sup>(53)</sup>	Cycle-to-cycle jitter for clock output on the regular I/O	F <sub>OUT</sub> ≥ 100 MHz	—	—	600	ps (p-p)
		F <sub>OUT</sub> < 100 MHz	—	—	60	mUI (p-p)
t <sub>CASC_OUTPJ_DC</sub>	Period jitter for dedicated clock output in cascaded PLLs through dedicated cascade path and core clock fabric	F <sub>OUT</sub> ≥ 100 MHz	—	—	175	ps (p-p)
		F <sub>OUT</sub> < 100 MHz	—	—	17.5	mUI (p-p)

### Related Information

[Memory Output Clock Jitter Specifications](#) on page 44

Provides more information about the external memory interface clock output jitter specifications.

## DSP Block Specifications

**Table 30. DSP Block Performance Specifications for Intel Stratix 10 Devices**

Mode	Performance			Unit
	-E1V, -I1V	-E2V, -E2L, -I2V, -I2L, -C2L	-E3V, -E3X, -I3V, -I3X	
Fixed-point 18 × 19 multiplication mode	1,000	771	667	MHz
Fixed-point 27 × 27 multiplication mode <sup>(54)</sup>	1,000	771	667	MHz
Fixed-point 18 × 18 multiplier adder mode <sup>(54)</sup>	1,000	771	667	MHz
Fixed-point 18 × 18 multiplier adder summed with 36-bit input mode <sup>(54)</sup>	1,000	771	667	MHz
Fixed-point 18 × 19 systolic mode	1,000	771	667	MHz
Complex 18 × 19 multiplication mode	1,000	771	667	MHz
Floating point multiplication mode	750	579	500	MHz
Floating point adder or subtract mode	750	579	500	MHz

*continued...*

<sup>(54)</sup> When chainin or chainout is enabled, the performance specifications for the following speed grades are as follows:

- -E1V and -I1V: 750 MHz
- -E2V, -E2L, -I2V, -I2L, and -C2L: 578 MHz
- -E3V, -E3X, -I3V, and -I3X: 507 MHz



Mode	Performance			Unit
	-E1V, -I1V	-E2V, -E2L, -I2V, -I2L, -C2L	-E3V, -E3X, -I3V, -I3X	
Floating point multiplier adder or subtract mode	750	579	500	MHz
Floating point multiplier accumulate mode	750	579	500	MHz
Floating point vector one mode	750	579	500	MHz
Floating point vector two mode	750	579	500	MHz

### Memory Block Specifications

To achieve the maximum memory block performance, use a memory block clock that comes through global clock routing from an on-chip PLL and set to **50%** output duty cycle. Use the Intel Quartus Prime software to report timing for the memory block clocking schemes.

When you use the error detection cyclical redundancy check (CRC) feature, there is no degradation in  $f_{MAX}$ .

**Table 31. Memory Block Performance Specifications for Intel Stratix 10 Devices**

Memory	Mode	Performance			Unit
		-E1V, -I1V	-E2V, -E2L, -I2V, -I2L, -C2L	-E3V, -E3X, -I3V, -I3X	
MLAB	Single port, all supported widths (×16/×32)	1,000	782	667	MHz
	Simple dual-port, all supported widths (×16/×32)	1,000	782	667	MHz
	Simple dual-port with read-during-write option	550	450	400	MHz
	ROM, all supported width (×16/×32)	1,000	782	667	MHz
M20K Block	Single-port, all supported widths	1,000	782	667	MHz
	Simple dual-port, all supported widths	1,000	782	667	MHz
	Simple dual-port, coherent read enabled	1,000	782	667	MHz
	Simple dual-port with the read-during-write option set to <b>Old Data</b> , all supported widths	800	640	560	MHz
	Simple dual-port with ECC enabled, 512 × 32	600	480	420	MHz

*continued...*

Memory	Mode	Performance			Unit
		-E1V, -I1V	-E2V, -E2L, -I2V, -I2L, -C2L	-E3V, -E3X, -I3V, -I3X	
	Simple dual-port with ECC, optional pipeline registers enabled, and fast write mode, 512 × 32	1,000	782	667	MHz
	Simple dual-port with ECC and optional pipeline registers enabled, with the read-during-write option set to <b>Old Data</b> , 512 × 32	1,000	750	667	MHz
	True dual port, all supported widths	600	500	420	MHz
	Simple quad-port, all supported widths <sup>(55)</sup>	600	480	420	MHz
	ROM (single port), all supported widths	1,000	782	667	MHz
	ROM (dual port), all supported widths	600	500	420	MHz
eSRAM <sup>(56)</sup> <sup>(57)</sup>	Simple dual-port	200–750	200–640	200–500	MHz

## Direct Interface Bus (DIB) Specifications

**Table 32. DIB Specifications for Intel Stratix 10 GX 10M Device**

Mode	Maximum DIB Clock (MHz)	DIB-DIB Latency (ns)
BYPASS mode (1:1)	—	2.5
ASYNc mode (1:1, 2:1, 4:1 TDM)	400	—
SYNc mode (1:1, 2:1, 4:1 TDM)	400	—

<sup>(55)</sup> Simple quad-port mode is supported only for -E1V, -E2V, and -E3V speed grades of Intel Stratix 10 devices.

<sup>(56)</sup> The input clock source for eSRAM must not exceed 20 ps peak-to-peak, or 1.42 ps RMS at 1e<sup>-12</sup> BER or 1.22 ps at 1e<sup>-16</sup> BER.

<sup>(57)</sup> For speed grade -3 devices, the following clock frequency ranges are not supported:

- 466.51 MHz – 499.99 MHz
- 233.26 MHz – 249.99 MHz

### Related Information

Direct Interface Bus (DIB) Intel Stratix 10 FPGA IP User Guide  
Provides more information about DIB.

## Internal Temperature Sensing Diode Specifications

**Table 33. Internal Temperature Sensing Diode Specifications for Intel Stratix 10 Devices**

Temperature Range	Accuracy	Offset Calibrated Option	Sampling Rate	Conversion Time
-40 to 125 °C <sup>(58)</sup>	±5 °C	No	1 KSPS	< 1 ms

## External Temperature Sensing Diode Specifications

**Table 34. External Temperature Sensing Diode Specifications for Intel Stratix 10 Devices**

- The typical value is at 25°C.
- The temperature diode characteristics in this table target for three-currents temperature sensing chip implementation. The characteristics can also apply to two-currents temperature sensing chip implementation, except for the ideality factor for L-Tile and H-Tile.
- Absolute accuracy is dependent on third-party external diode ADC and integration specifics.

Description	Min	Typ	Max	Unit
I <sub>bias</sub> , diode source current (core fabric, L-Tile, H-Tile, E-Tile, and P-Tile TSD)	10	—	170	µA
V <sub>bias</sub> , voltage across diode (core fabric, L-Tile, and H-Tile TSD)	0.35	—	0.9	V
V <sub>bias</sub> , voltage across diode (E-Tile TSD)	0.56	—	0.82	V
V <sub>bias</sub> , voltage across diode (P-Tile TSD)	0.56	—	0.87	V
Series resistance (core fabric TSD)	—	—	< 11	Ω
Series resistance (L-Tile and H-Tile TSD)	—	—	< 17	Ω
Series resistance (E-Tile TSD)	—	—	< 2	Ω
Series resistance (P-Tile TSD)	—	—	< 10	Ω
Diode ideality factor (core fabric TSD)	—	1.006	—	—

*continued...*

(58) Temperature range refers to junction temperature.

Description	Min	Typ	Max	Unit
Diode ideality factor (L-Tile and H-Tile TSD) <sup>(59)</sup>	—	1.003	—	—
Diode ideality factor (E-Tile TSD)	—	1.005	—	—
Diode ideality factor (P-Tile TSD) <sup>(59)</sup>	—	1.0108	—	—

## Internal Voltage Sensor Specifications

**Table 35. Internal Voltage Sensor Specifications for Intel Stratix 10 Devices**

Parameter		Minimum	Typical	Maximum	Unit
Resolution		—	8	—	Bit
Sampling rate		—	—	1.0	KSPS
Differential non-linearity (DNL)		—	—	±1	LSB
Integral non-linearity (INL)		—	—	±1	LSB
Input capacitance		—	—	40	pF
Voltage sensor accuracy, $V_{in}$ range: 0 V to 1.24 V		-3	—	3	%
Unipolar Input Mode	Input signal range for $V_{sigp}$	0	—	1.49	V
	Common mode voltage on $V_{sign}$	0	—	0.25	V
	Input signal range for $V_{sigp} - V_{sign}$	0	—	1.24	V

## Periphery Performance Specifications

This section describes the periphery performance, high-speed I/O, and external memory interface.

Actual achievable frequency depends on design and system specific factors. Ensure proper timing closure in your design and perform HSPICE/IBIS simulations based on your specific design and system setup to determine the maximum achievable frequency in your system.

<sup>(59)</sup> When using lower injection current (two-currents) implementation, the ideality factor is 1.03.

## High-Speed I/O Specifications

**Table 36. High-Speed I/O Specifications for Intel Stratix 10 Devices**

When serializer/deserializer (SERDES) factor J = 3 to 10, use the SERDES block.

For LVDS applications, you must use the PLLs in integer PLL mode.

You must calculate the leftover timing margin in the receiver by performing link timing closure analysis. You must consider the board skew margin, transmitter channel-to-channel skew, and receiver sampling margin to determine the leftover timing margin.

Symbol		Condition	-E1V, -I1V			-E2V, -E2L, -I2L, -I2V, -C2L			-E3V, -E3X, -I3X, -I3V			Unit
			Min	Typ	Max	Min	Typ	Max	Min	Typ	Max	
f <sub>HCLK_in</sub> (input clock frequency) True Differential I/O Standards		Clock boost factor W = 1 to 40 <sup>(60)</sup>	10	—	800	10	—	700	10	—	625	MHz
f <sub>HCLK_in</sub> (input clock frequency) Single-Ended I/O Standards		Clock boost factor W = 1 to 40 <sup>(60)</sup>	10	—	625	10	—	625	10	—	525	MHz
f <sub>HCLK_OUT</sub> (output clock frequency)		—	—	—	800 <sup>(61)</sup>	—	—	700 <sup>(61)</sup>	—	—	625 <sup>(61)</sup>	MHz
Transmitter	True Differential I/O Standards - f <sub>HSDR</sub> (data rate) <sup>(62)</sup>	SERDES factor J = 4 to 10 <sup>(63)(65)</sup> <sup>(64)</sup>	<sup>(65)</sup>	—	1,600	<sup>(65)</sup>	—	1,434 <sup>(66)</sup>	<sup>(65)</sup>	—	1,250	Mbps

*continued...*

<sup>(60)</sup> Clock Boost Factor (W) is the ratio between the input data rate and the input clock rate.

<sup>(61)</sup> This is achieved by using the PHY clock network.

<sup>(62)</sup> Requires package skew compensation with PCB trace length.

<sup>(63)</sup> The F<sub>max</sub> specification is based on the fast clock used for serial data. The interface F<sub>max</sub> is also dependent on the parallel clock domain which is design dependent and requires timing analysis.

<sup>(64)</sup> The V<sub>CC</sub> and V<sub>CCP</sub> must be on a combined power layer and a maximum load of 5 pF for chip-to-chip interface.

<sup>(65)</sup> The minimum specification depends on the clock source (for example, the PLL and clock pin) and the clock routing resource (global, regional, or local) that you use. The I/O differential buffer and serializer do not have a minimum toggle rate.

<sup>(66)</sup> Intel Stratix 10 GX 10M device only supports a maximum data rate of 1.4 Gbps.

Symbol		Condition	-E1V, -I1V			-E2V, -E2L, -I2L, -I2V, -C2L			-E3V, -E3X, -I3X, -I3V			Unit
			Min	Typ	Max	Min	Typ	Max	Min	Typ	Max	
		SERDES factor J = 3 (63)(65)(64)	(65)	—	1,000	(65)	—	1,000	(65)	—	938	Mbps
		SERDES factor J = 2, uses DDR registers	(65)	—	840 (67)	(65)	—	(67)	(65)	—	(67)	Mbps
		SERDES factor J = 1, uses DDR registers	(65)	—	420 (67)	(65)	—	(67)	(65)	—	(67)	Mbps
	t <sub>x</sub> Jitter - True Differential I/O Standards	Total jitter for data rate, 600 Mbps - 1.6 Gbps	—	—	160	—	—	200	—	—	250	ps
		Total jitter for data rate, < 600 Mbps	—	—	0.1	—	—	0.12	—	—	0.15	UI
	t <sub>DUTY</sub> (68)	TX output clock duty cycle for Differential I/O Standards	45	50	55	45	50	55	45	50	55	%
	t <sub>RISE</sub> & t <sub>FALL</sub> (64)(69)	True Differential I/O Standards	—	—	160	—	—	180	—	—	200	ps
	TCCS (68)(62)	True Differential I/O Standards	—	—	330	—	—	330	—	—	330	ps
Receiver	True Differential I/O Standards - f <sub>HSDRDP</sub> A (data rate)	SERDES factor J = 4 to 10 (63)(65)(64)	150	—	1,600	150	—	1,434(66)	150	—	1,250	Mbps
		SERDES factor J = 3 (63)(65)(64)	150	—	1,000	150	—	1,000	150	—	938	Mbps

*continued...*

(67) The maximum ideal data rate is the SERDES factor (J) x the PLL maximum output frequency (f<sub>OUT</sub>) provided you can close the design timing and the signal integrity meets the interface requirements.

(68) Not applicable for DIVCLK = 1.

(69) This applies to default pre-emphasis and V<sub>OD</sub> settings only.

Symbol		Condition	-E1V, -I1V			-E2V, -E2L, -I2L, -I2V, -C2L			-E3V, -E3X, -I3X, -I3V			Unit
			Min	Typ	Max	Min	Typ	Max	Min	Typ	Max	
	f <sub>HSDR</sub> (data rate) (without DPA) <sup>(62)</sup>	SERDES factor J = 3 to 10	(65)	—	(70)	(65)	—	(70)	(65)	—	(70)	Mbps
		SERDES factor J = 2, uses DDR registers	(65)	—	(67)	(65)	—	(67)	(65)	—	(67)	Mbps
		SERDES factor J = 1, uses DDR registers	(65)	—	(67)	(65)	—	(67)	(65)	—	(67)	Mbps
DPA (FIFO mode)	DPA run length	—	—	10,000	—	—	10,000	—	—	10,000	UI	
DPA (soft CDR mode)	DPA run length	SGMII/GbE protocol	—	—	5	—	—	5	—	—	5	UI
		All other protocols	—	—	50 data transition per 208 UI	—	—	50 data transition per 208 UI	—	—	50 data transition per 208 UI	—
Soft CDR mode	Soft-CDR ppm tolerance	—	-300	—	300	-300	—	300	-300	—	300	ppm
Non DPA mode	Sampling Window	—	—	—	330	—	—	330	—	—	330	ps

<sup>(70)</sup> You can estimate the achievable maximum data rate for non-DPA mode by performing link timing closure analysis. You must consider the board skew margin, transmitter delay margin, and receiver sampling margin to determine the maximum data rate supported.

## DPA Lock Time Specifications

**Table 37. DPA Lock Time Specifications for Intel Stratix 10 Devices**

The DPA lock time is for one channel. One data transition is defined as a 0-to-1 or 1-to-0 transition.

Standard	Training Pattern	Number of Data Transitions in One Repetition of the Training Pattern	Number of Repetitions per 256 Data Transitions <sup>(71)</sup>	Maximum Data Transition <sup>(72)</sup>
SPI-4	00000000001111111111	2	128	768
Parallel Rapid I/O	00001111	2	128	768
	10010000	4	64	768
Miscellaneous	10101010	8	32	768
	01010101	8	32	768

<sup>(71)</sup> This is the number of repetitions for the stated training pattern to achieve the 256 data transitions.

<sup>(72)</sup> This is the maximum data transition consumed by DPA to lock.



## LVDS Soft-CDR/DPA Sinusoidal Jitter Tolerance Specifications

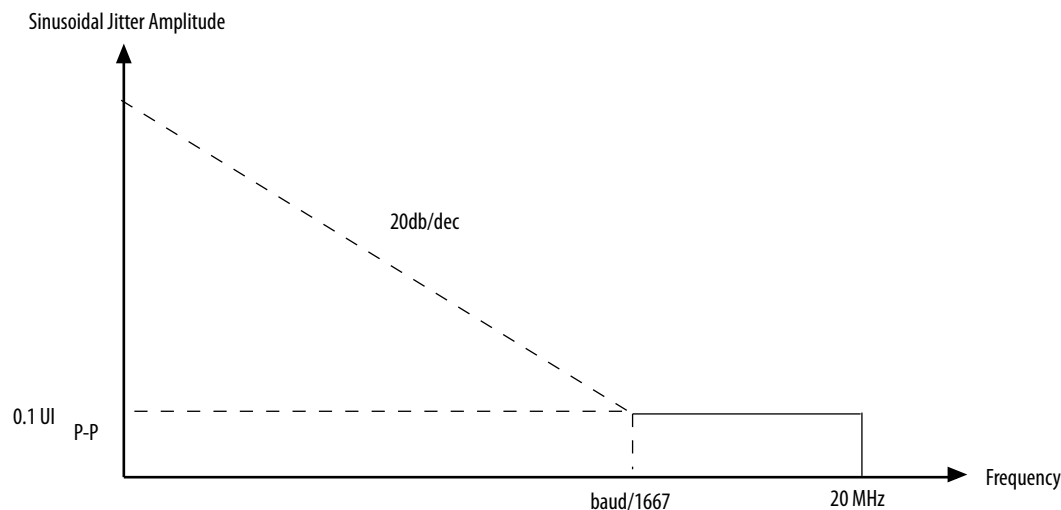
Figure 2. LVDS Soft-CDR/DPA Sinusoidal Jitter Tolerance Specifications for a Data Rate Equal to 1.6 Gbps



Table 38. LVDS Soft-CDR/DPA Sinusoidal Jitter Mask Values for a Data Rate Equal to 1.6 Gbps

Jitter Frequency (Hz)		Sinusoidal Jitter (UI)
F1	10,000	25.00
F2	17,565	25.00
F3	1,493,000	0.28
F4	50,000,000	0.28

**Figure 3. LVDS Soft-CDR/DPA Sinusoidal Jitter Tolerance Specifications for a Data Rate Less than 1.6 Gbps**



### Memory Standards Supported by the Hard Memory Controller

**Table 39. Memory Standards Supported by the Hard Memory Controller for Intel Stratix 10 Devices**

This table lists the overall capability of the hard memory controller. For specific details, refer to the External Memory Interface Spec Estimator.

Memory Standard	Rate Support	Ping Pong PHY Support	Maximum Frequency (MHz)
DDR4 SDRAM	Quarter rate	Yes	1,333
DDR3 SDRAM	Quarter rate <sup>(73)</sup>	Yes	1,066
DDR3L SDRAM	Quarter rate	Yes	1,066

#### Related Information

##### [External Memory Interface Spec Estimator](#)

Provides the specific details of the memory standards supported.

<sup>(73)</sup> Half rate support is only up to 667 MHz.

## Memory Standards Supported by the Soft Memory Controller

**Table 40. Memory Standards Supported by the Soft Memory Controller for Intel Stratix 10 Devices**

This table lists the overall capability of the soft memory controller. For specific details, refer to the External Memory Interface Spec Estimator.

Memory Standard	Rate Support	Maximum Frequency (MHz)
RLDRAM 3 <sup>(74)</sup>	Quarter rate	1,200
QDR IV SRAM	Quarter rate	1,066
DDR-T	Quarter rate	1,200
QDR II SRAM	Full rate	333
QDR II+ SRAM	Half rate	550
QDR II+ Xtreme SRAM	Half rate	633

### Related Information

[External Memory Interface Spec Estimator](#)

Provides the specific details of the memory standards supported.

## Memory Standards Supported by the HPS Hard Memory Controller

**Table 41. Memory Standards Supported by the HPS Hard Memory Controller for Intel Stratix 10 Devices**

This table lists the overall capability of the hard memory controller. For specific details, refer to the External Memory Interface Spec Estimator.

Memory Standard	Rate Support	Maximum Frequency (MHz)
DDR4 SDRAM	Half rate	1,066
DDR3 SDRAM	Half rate	1,066
DDR3L SDRAM	Half rate	1,066

### Related Information

[External Memory Interface Spec Estimator](#)

Provides the specific details of the memory standards supported.

<sup>(74)</sup> For Intel Stratix 10 RLDRAM 3, Intel only provides the PHY-only option.

## DLL Range Specifications

**Table 42. DLL Frequency Range Specifications for Intel Stratix 10 Devices**

Parameter	Performance (for All Speed Grades)	Unit
DLL operating frequency range	600 – 1,333 <sup>(75)</sup>	MHz
DLL reference clock input	Minimum 600	MHz

## Memory Output Clock Jitter Specifications

The clock jitter specification applies to the memory output clock pins clocked by an I/O PLL, or generated using differential signal-splitter and double data I/O circuits clocked by a PLL output routed on a PHY clock network as specified. Intel recommends using PHY clock networks for better jitter performance.

The memory clock output jitter is within the JEDEC specifications with an input of 10 ps peak-to-peak jitter.

## Performance Specifications of the HBM2 Interface in Intel Stratix 10 MX, NX, and DX 2100 Devices

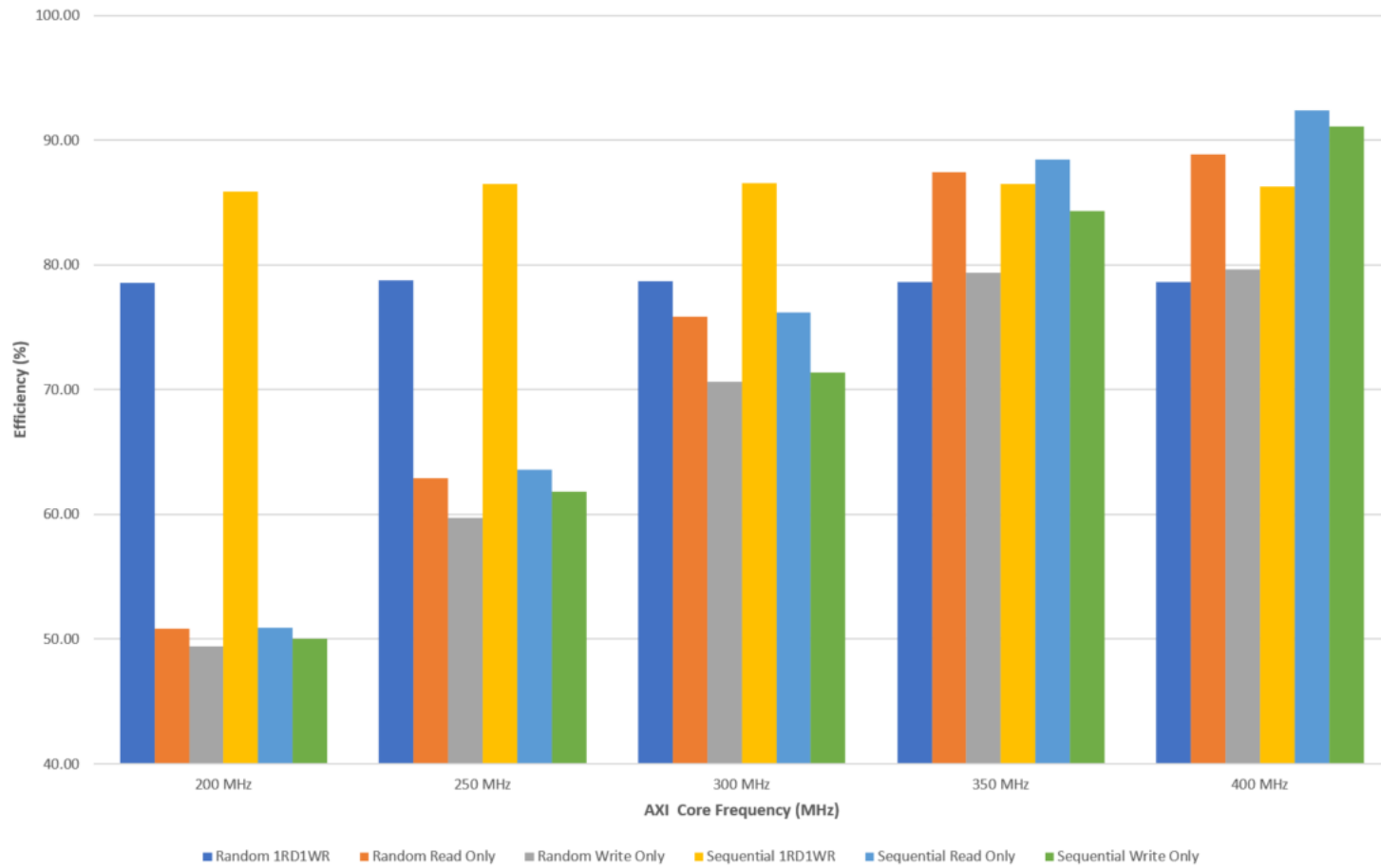
**Table 43. Performance Specifications of the HBM2 Interface in Intel Stratix 10 MX, NX, and DX 2100 Devices**

Intel Stratix 10 Device Speed Grade	Maximum HBM2 Interface Frequency (MHz)
-1	1,000
-2	800
-3	600

<sup>(75)</sup> In the SX device family, if the HPS EMIF is instantiated, the maximum speed for that instantiation is 1,066 MHz.

## HBM2 Interface Performance

Figure 4. HBM2 Performance in a 4GB4H HBM2 Device (64B access)



**Figure 5. HBM2 Performance in a 8GB8H HBM2 Device (64B access)**



**Note:** These graphs show the Efficiency information for the HBM2 interface running at 800 MHz in an Intel Stratix 10 MX, NX, and DX 2100 device with -2 Speed Grade using 64B access, with the re-order buffer turned off and different AXI Transaction IDs enabled.

## OCT Calibration Block Specifications

**Table 44. OCT Calibration Block Specifications for Intel Stratix 10 Devices**

Symbol	Description	Min	Typ	Max	Unit
OCTUSRCLK	Clock required by OCT calibration blocks	—	—	20	MHz
T <sub>OCTCAL</sub>	Number of OCTUSRCLK clock cycles required for R <sub>S</sub> OCT /R <sub>T</sub> OCT calibration	> 2000	—	—	Cycles
T <sub>OCTSHIFT</sub>	Number of OCTUSRCLK clock cycles required for OCT code to shift out	—	32	—	Cycles
T <sub>RS_RT</sub>	Time required between the dyn_term_ctrl and oe signal transitions in a bidirectional I/O buffer to dynamically switch between R <sub>S</sub> OCT and R <sub>T</sub> OCT	—	8	—	Full-rate cycle

**Figure 6. Timing Diagram for on oe and dyn\_term\_ctrl Signals**



## L-Tile Transceiver Performance Specifications

### Transceiver Performance for Intel Stratix 10 GX/SX L-Tile Devices

**Table 45. Intel Stratix 10 GX/SX L-Tile Transmitter and Receiver Datarate Performance**

Symbol/Description	Transceiver Speed Grade		
	-1	-2	-3
Chip-to-chip	N/A	26.6 Gbps	17.4 Gbps

*continued...*

Symbol/Description	Transceiver Speed Grade		
	-1	-2	-3
		8 channels per tile <sup>(76)</sup>	
Backplane	N/A	12.5 Gbps	12.5 Gbps

**Note:** Refer to the *Transceiver Power Supply Operating Conditions* for  $V_{CCR\_GXB}$  and  $V_{CCT\_GXB}$  specifications when using bonded and non-bonded transceiver channels in Intel Stratix 10 L-Tile devices.

**Table 46. L-Tile ATX PLL Performance**

Symbol/Description	Condition	Transceiver Speed Grade 2	Transceiver Speed Grade 3	Unit
Supported Output Frequency	Maximum Frequency	13.3	8.7	GHz
	Minimum Frequency	500		MHz
$t_{LOCK}$ <sup>(77)</sup>	Maximum Frequency	1		ms
$t_{ARESET}$ Required Reset Time <sup>(78)</sup> <sup>(79)</sup>	—	25		Avalon Clock Cycles

**Note:** TX jitter specifications for the SerialLite III protocol at 17.4 Gbps are as low as: TJ = 0.32 UI, RJ = 0.15 UI, DJ = 0.18 UI, and DCD = 0.05 UI.

<sup>(76)</sup> Refer to *AN-778: Intel Stratix 10 Transceiver Usage* for more details on channel selection requirements.

<sup>(77)</sup> This specification applies after the ATX PLL, fPLL, or CMU PLL has completed calibration.

<sup>(78)</sup> You must use the Avalon-MM interface to hold the PLLs in reset for the specified cycles by writing to the ATX PLL, fPLL, or CMU PLL `p11_powerdown` register.

<sup>(79)</sup> You must assert `p11_powerdown` for a minimum of 25 cycles are required if you are using a 250-MHz AVMM clock.



**Table 47. L-Tile fPLL Performance**

Symbol/Description	Condition	Mode	All Transceiver Speed Grades	Unit
Supported Output Frequency (VCO frequency based)	Maximum datarate	Transceiver - HDMI	12.5	Gbps
		Transceiver - General	12.5	
		Transceiver - OTN, SDI Cascade	14.025	
	Minimum datarate	Transceiver - HDMI	4.6	Gbps
		Transceiver - General	6	
		Transceiver - OTN, SDI Cascade	7	
$t_{LOCK}^{(77)}$	Maximum Frequency		1	ms
$t_{ARESET}^{(78)}$ Required Reset Time <sup>(79)</sup>	—		25	Avalon Clock Cycles

**Table 48. L-Tile CMU PLL Performance**

Symbol/Description	Condition	All Transceiver Speed Grades	Unit
Supported Output Frequency (VCO frequency based)	Maximum Frequency	5.15625	GHz
	Minimum Frequency	2.3	GHz
$t_{LOCK}^{(77)}$	Maximum Frequency	1	ms
$t_{ARESET}^{(78)}$ Required Reset Time <sup>(79)</sup>	—	25	Avalon Clock Cycles

**Related Information**

[AN-778: Intel Stratix 10 Transceiver Usage](#)

## Transceiver Specifications for Intel Stratix 10 GX/SX L-Tile Devices

**Table 49. L-Tile Reference Clock Specifications**

Symbol/Description	Condition	All Transceiver Speed Grades			Unit
		Min	Typ	Max	
Supported I/O Standards	Dedicated reference clock pin	CML, Differential LVPECL, LVDS, and HCSL			
	RX reference clock pin	CML, Differential LVPECL, and LVDS			
Input Reference Clock Frequency (CMU PLL)		50	—	800	MHz
Input Reference Clock Frequency (ATX PLL)		100	—	800	MHz
Input Reference Clock Frequency (fPLL)		50 <sup>(80)</sup>	—	800	MHz
Rise time	20% to 80%	—	—	350	ps
Fall time	80% to 20%	—	—	350	ps
Duty cycle	—	45	—	55	%
Spread-spectrum modulating clock frequency	PCIe	30	—	33	kHz
Spread-spectrum downspread	PCIe	—	0 to -0.5	—	%
On-chip termination resistors	—	—	100	—	Ω
Absolute V <sub>MAX</sub>	Dedicated reference clock pin	—	—	1.6	V
	RX reference clock pin	—	—	1.2	V
Absolute V <sub>MIN</sub>	—	-0.4	—	—	V
Peak-to-peak differential input voltage	—	200	—	1600	mV
V <sub>ICM</sub> (AC coupled)	V <sub>CCR_GXB</sub> = 1.03 V	—	0	—	V
V <sub>ICM</sub> (DC coupled)	HCSL I/O standard for PCIe reference clock	250	—	550	mV

*continued...*

<sup>(80)</sup> The f<sub>MIN</sub> is 25 MHz when the fPLL is used for the HDMI protocol.

Symbol/Description	Condition	All Transceiver Speed Grades			Unit
		Min	Typ	Max	
Transmitter REFCLK Phase Noise (800 MHz) <sup>(81)</sup>	100 Hz	—	—	-70	dBc/Hz
	1 kHz	—	—	-90	dBc/Hz
	10 kHz	—	—	-100	dBc/Hz
	100 kHz	—	—	-110	dBc/Hz
	≥ 1 MHz	—	—	-120	dBc/Hz
R <sub>REF</sub>	—	2.0 k ±1%	—	2.0 k ±1%	Ω
T <sub>SSC-MAX-PERIOD-SLEW</sub>	Max spread spectrum clocking (SSC) df/dt			0.75	

**Note:** When using PCI Express, you must meet the reference clock phase jitter requirements as specified in the 4.3.7 Refclk Specifications for 2.5 GT/s and 5.0 GT/s and 4.3.8 Refclk Specification for 8.0 GT/s sections of the PCI Express Base Specification Revision 3.0.

**Table 50. L-Tile Transceiver Clock Network Maximum Data Rate Specifications**

Clock Network	Maximum Performance <sup>(82)</sup>			Channel Span	Unit
	ATX	fPLL	CMU		
x1	17.4	12.5	10.3125	6 channels	Gbps
x6	17.4	12.5	N/A	6 channels	Gbps
x24	17.4 <sup>(86)</sup>	12.5	N/A	2 banks up and 1 bank down (total 24 channels) or	Gbps

*continued...*

<sup>(81)</sup> To calculate the REFCLK phase noise requirement at frequencies other than 800 MHz, use the following formula: REFCLK phase noise at f (MHz) = REFCLK phase noise at 800 MHz + 20\*log(f/800).

<sup>(82)</sup> The maximum data rate depends on speed grade.

Clock Network	Maximum Performance <sup>(82)</sup>			Channel Span	Unit
	ATX	fPLL	CMU		
				2 banks down and 1 bank up (total 24 channels)	
GXT clock lines	26.6	N/A	N/A	4 GXT channels within the same transceiver bank and 2 from the bank above or 2 from the bank below. <sup>(83)</sup>	Gbps

**Table 51. L-Tile Receiver Specifications**

Symbol/Description	Condition	Transceiver Speed Grade 3			Unit
		Min	Typ	Max	
Supported I/O Standards	—	High Speed Differential I/O, CML, Differential LVPECL, and LVDS			
Absolute $V_{MAX}$ for a receiver pin <sup>(84)</sup>	—	—	—	1.2	V
Absolute $V_{MIN}$ for a receiver pin <sup>(84) (85)</sup>	—	-0.4	—	—	V
Maximum peak-to-peak differential input voltage $V_{ID}$ (diff p-p) before device configuration	—	—	—	2.0	V
<i>continued...</i>					

<sup>(82)</sup> The maximum data rate depends on speed grade.

<sup>(83)</sup> If the upper ATX PLL in a bank is used as the main GXT PLL, then the channel span includes two GXT channels from the bank above. If the lower ATX PLL in a bank is used as the main GXT PLL, then the channel span includes two GXT channels from the bank below.

<sup>(84)</sup> The device cannot tolerate prolonged operation at this absolute maximum.

<sup>(85)</sup> A passive pull up resistance prevents a 0-V common mode voltage on AC coupled receiver pins before the FPGA is configured.

Symbol/Description	Condition	Transceiver Speed Grade 3			Unit
		Min	Typ	Max	
Maximum peak-to-peak differential input voltage $V_{ID}$ (diff p-p) after device configuration	$V_{CCR\_GXB} = 1.03\text{ V}$ <sup>(86)</sup>	—	—	2.0	V
	$V_{CCR\_GXB} = 1.12\text{ V}$	—	—	1.8	V
Differential on-chip termination resistors	85- $\Omega$ setting	—	$85 \pm 20\%$	—	$\Omega$
	100- $\Omega$ setting	—	$100 \pm 20\%$	—	$\Omega$
$V_{ICM}$ (AC coupled)	$V_{CCR\_GXB} = 1.03\text{ V}$	—	700	—	mV
	$V_{CCR\_GXB} = 1.12\text{ V}$	—	750	—	mV
$t_{LTR}$ <sup>(87)</sup>	—	—	—	1	ms
$t_{LTD}$ <sup>(88)</sup>	—	4	—	—	$\mu\text{s}$
$t_{LTD\_manual}$ <sup>(89)</sup>	—	4	—	—	$\mu\text{s}$
$t_{LTR\_LTD\_manual}$ <sup>(90)</sup>	—	15	—	—	$\mu\text{s}$
Run Length	—	—	—	200	UI
CDR ppm tolerance	PCIe-only	-300	—	300	ppm
	All other protocols	-1000	—	1000	ppm

(86) Bonded channels operating at data rates above 16 Gbps require  $1.12\text{ V} \pm 20\text{ mV}$  at the pin. For a given L-Tile, if there are channels that need the higher power supply, tie all the channels on that side to the higher power supply.

(87)  $t_{LTR}$  is the time required for the receiver CDR to lock to the input reference clock frequency after coming out of reset, or after the CDR's calibration is complete.

(88)  $t_{LTD}$  is time required for the receiver CDR to start recovering valid data after the `rx_is_lockedtoata` signal goes high.

(89)  $t_{LTD\_manual}$  is the time required for the receiver CDR to start recovering valid data after the `rx_is_lockedtoata` signal goes high when the CDR is functioning in the manual mode.

(90)  $t_{LTR\_LTD\_manual}$  is the time the receiver CDR must be kept in lock to reference (LTR) mode after the `rx_is_lockedtoref` signal goes high when the CDR is functioning in the manual mode.

**Table 52. L-Tile Transmitter Specifications**

Symbol/Description	Condition	Transceiver Speed Grade 2 and 3			Unit
		Min	Typ	Max	
Supported I/O Standards	—	High Speed Differential I/O <sup>(91)</sup>			—
Differential on-chip termination resistors	85-Ω setting	—	85 ± 20%	—	Ω
	100-Ω setting	—	100 ± 20%	—	Ω
V <sub>OCM</sub> (AC coupled)	V <sub>CCT_GXB</sub> = 1.03 V	—	515	—	mV
Rise time <sup>(92)</sup>	20% to 80%	20	—	130	ps
Fall time <sup>(92)</sup>	80% to 20%	20	—	130	ps
Intra-differential pair skew	TX V <sub>CM</sub> = 0.5 V and slew rate of 15 ps	—	—	15 <sup>(93)</sup>	ps

**Table 53. L-Tile Typical Transmitter V<sub>OD</sub> Settings**

Symbol	V <sub>OD</sub> Setting <sup>(94)</sup>	V <sub>OD</sub> /V <sub>CCT_GXB</sub> Ratio
V <sub>OD</sub> differential value = V <sub>OD</sub> /V <sub>CCT_GXB</sub> ratio x V <sub>CCT_GXB</sub>	31	1.00
	30	0.97
	29	0.93
	28	0.90
	27	0.87
	26	0.83

*continued...*

<sup>(91)</sup> High Speed Differential I/O is the dedicated I/O standard for the transmitter in Intel Stratix 10 L-/H-Tile transceivers.

<sup>(92)</sup> The Intel Quartus Prime software automatically selects the appropriate slew rate depending on the configured data rate or functional mode.

<sup>(93)</sup> This specification pertains to Hyper Memory Cube.

<sup>(94)</sup> Intel recommends a V<sub>OD</sub> ranging from 31 to 17.

Symbol	V <sub>OD</sub> Setting <sup>(94)</sup>	V <sub>OD</sub> /V <sub>CCT_GXB</sub> Ratio
	25	0.80
	24	0.77
	23	0.73
	22	0.70
	21	0.67
	20	0.63
	19	0.60
	18	0.57
	17	0.53
	16	0.50
	15	0.47
	14	0.43
	13	0.40
	12	0.37

**Table 54. L-Tile Transmitter Channel-to-channel Skew Specifications**

Mode	Channel Span	Maximum Skew	Unit
x6 Clock	Up to 6 channels in one bank	61	ps
x24 Clock	Up to 24 channels in one tile	500 <sup>(95)</sup>	ps

<sup>(94)</sup> Intel recommends a V<sub>OD</sub> ranging from 31 to 17.

<sup>(95)</sup> 500 ps is not supported for all configurations and depends upon the Master CGB placement.

**Table 55. Transceiver Clocks Specifications for Intel Stratix 10 L-Tile Devices**

Clock	Value	Unit
reconfig_clk	≤ 150	MHz
fixed_clk for the RX detect circuit	250 ± 20%	MHz

For OSC\_CLK\_1 specifications, refer to the External Configuration Clock Source Requirements section.

**Related Information**

- [External Configuration Clock Source Requirements](#) on page 105
- [PLLs and Clock Networks](#)

## H-Tile Transceiver Performance Specifications

### Transceiver Performance for Intel Stratix 10 GX/SX/MX/TX H-Tile Devices

**Table 56. Intel Stratix 10 GX/SX/MX/TX H-Tile Transmitter and Receiver Datarate Performance**

Symbol	Description	Transceiver Speed Grade		
		-1	-2	-3
GX channels	Chip-to-chip and Backplane	17.4 Gbps		
GXT channels	Chip-to-chip and Backplane	28.3 Gbps <sup>(96)</sup>	26.6 Gbps	N/A

*Note:* Refer to the *Transceiver Power Supply Operating Conditions* for V<sub>CCR\_GXB</sub> and V<sub>CCT\_GXB</sub> specifications when using bonded and non-bonded transceiver channels in Intel Stratix 10 H-Tile devices.

<sup>(96)</sup> Only four GXT channels per bank are supported for backplane applications operating at 28.3 Gbps.



**Table 57. H-Tile ATX PLL Performance**

Symbol/Description	Condition	Transceiver Speed Grade 1	Transceiver Speed Grade 2	Transceiver Speed Grade 3	Unit
Supported Output Frequency	Maximum Frequency	14.15	13.3	8.7	GHz
	Minimum Frequency	500			MHz
t <sub>LOCK</sub> <sup>(97)</sup>	Maximum Frequency	1			ms
t <sub>ARESET</sub> <sup>(98)</sup>	—	25			Avalon Clock Cycles

*Note:* TX jitter specifications for the SerialLite III protocol at 17.4 Gbps are as low as: TJ = 0.32 UI, RJ = 0.15 UI, DJ = 0.18 UI, and DCD = 0.05 UI.

**Table 58. H-Tile Fractional PLL Performance**

Symbol/Description	Condition	Mode	All Transceiver Speed Grades	Unit
Supported Output Frequency (VCO frequency based)	Maximum datarate	Transceiver - HDMI	12.5	Gbps
		Transceiver - General	12.5	
		Transceiver - OTN, SDI Cascade	14.025	
	Minimum datarate	Transceiver - HDMI	4.6	Gbps
		Transceiver - General	6	
		Transceiver - OTN, SDI Cascade	7	
t <sub>LOCK</sub> <sup>(97)</sup>	Maximum Frequency		1	ms
t <sub>ARESET</sub> <sup>(98)</sup>	—		25	Avalon Clock Cycles

<sup>(97)</sup> This specification applies after the ATX PLL, fPLL, or CMU PLL has completed calibration.

<sup>(98)</sup> You must use the Avalon-MM interface to hold the PLLs in reset for the specified cycles by writing to the ATX PLL, fPLL, or CMU PLL `pll_powerdown` register.

**Table 59. H-Tile CMU PLL Performance**

Symbol/Description	Condition	All Transceiver Speed Grades	Unit
Supported Output Frequency	Maximum Frequency	5.15625	GHz
	Minimum Frequency	2.450	GHz
$t_{\text{LOCK}}$ <sup>(97)</sup>	Maximum Frequency	1	ms
$t_{\text{ARESET}}$ <sup>(98)</sup>	—	25	Avalon Clock Cycles

### Transceiver Specifications for Intel Stratix 10 GX/SX H-Tile Devices

**Table 60. H-Tile Reference Clock Specifications**

Symbol/Description	Condition	Min	Typ	Max	Unit
Supported I/O Standards	Dedicated reference clock pin	CML, Differential LVPECL, LVDS, and HCSL			
	RX reference clock pin	CML, Differential LVPECL, and LVDS			
Input Reference Clock Frequency (CMU PLL)		50	—	800	MHz
Input Reference Clock Frequency (ATX PLL)		100	—	800	MHz
Input Reference Clock Frequency (fPLL PLL)		25 <sup>(99)</sup> /50	—	800	MHz
Rise time	20% to 80%	—	—	350	ps
Fall time	80% to 20%	—	—	350	ps
Duty cycle	—	45	—	55	%
Spread-spectrum modulating clock frequency	PCIe	30	—	33	kHz
Spread-spectrum downspread	PCIe	—	0 to -0.5	—	%
On-chip termination resistors	—	—	100	—	$\Omega$
Absolute $V_{\text{MAX}}$	Dedicated reference clock pin	—	—	1.6	V
	RX reference clock pin	—	—	1.2	V
Absolute $V_{\text{MIN}}$	—	-0.4	—	—	V

*continued...*

(99) The 25 MHz is only available when HDMI is selected for fPLL protocol mode.

Symbol/Description	Condition	Min	Typ	Max	Unit
Peak-to-peak differential input voltage	—	200	—	1600	mV
V <sub>ICM</sub> (AC coupled)	V <sub>CCR_GXB</sub> = 1.03 V	—	0	—	V
	V <sub>CCR_GXB</sub> = 1.12 V	—	0	—	V
V <sub>ICM</sub> (DC coupled)	HCSL I/O standard for PCIe reference clock	250	—	550	mV
Transmitter REFCLK Phase Noise (800 MHz) <sup>(100)</sup> <sub>(101)</sub>	100 Hz	—	—	-70	dBc/Hz
	1 kHz	—	—	-90	dBc/Hz
	10 kHz	—	—	-100	dBc/Hz
	100 kHz	—	—	-110	dBc/Hz
	≥ 1 MHz	—	—	-120	dBc/Hz
R <sub>REF</sub>	—	—	2.0 k ±1%	—	Ω
T <sub>SSC-MAX-PERIOD-SLEW</sub>	Max SSC df/dt			0.75	

**Note:** When using PCI Express, you must meet the reference clock phase jitter requirements as specified in the 4.3.7 Refclk Specifications for 2.5 GT/s and 5.0 GT/s and 4.3.8 Refclk Specification for 8.0 GT/s sections of the PCI Express Base Specification Revision 3.0.

<sup>(100)</sup> To calculate the REFCLK phase noise requirement at frequencies other than 800 MHz, use the following formula: REFCLK phase noise at f (MHz) = REFCLK phase noise at 800 MHz + 20\*log(f/800).

<sup>(101)</sup> A phase noise (PN) mask overrides the REFCLK noise.

**Table 61. H-Tile Transceiver Clock Network Maximum Data Rate Specifications**

Clock Network	Maximum Performance <sup>(102)</sup>			Channel Span	Unit
	ATX	fPLL	CMU		
x1	17.4	12.5	10.3125	6 channels	Gbps
x6	17.4	12.5	N/A	6 channels	Gbps
x24	17.4 <sup>(106)</sup>	12.5	N/A	2 banks up and 1 bank down (total 24 channels) or 2 banks down and 1 bank up (total 24 channels)	Gbps
GXT clock lines	28.3	N/A	N/A	4 GXT channels within the same transceiver bank and 2 from the bank above or 2 from the bank below. <sup>(103)</sup>	Gbps

**Table 62. H-Tile Receiver Specifications**

Symbol/Description	Condition	All Transceiver Speed Grades			Unit
		Min	Typ	Max	
Supported I/O Standards	—	High Speed Differential I/O, CML, Differential LVPECL, and LVDS			
Absolute V <sub>MAX</sub> for a receiver pin <sup>(104)</sup>	—	—	—	1.2	V
Absolute V <sub>MIN</sub> for a receiver pin <sup>(105)</sup>	—	-0.4	—	—	V
<b>continued...</b>					

<sup>(102)</sup> The maximum data rate depends on speed grade.

<sup>(103)</sup> If the upper ATX PLL in a bank is used as the main GXT PLL, then the channel span includes two GXT channels from the bank above. If the lower ATX PLL in a bank is used as the main GXT PLL, then the channel span includes two GXT channels from the bank below.

<sup>(104)</sup> The device cannot tolerate prolonged operation at this absolute maximum.

<sup>(105)</sup> A passive pull up resistance prevents a 0-V common mode voltage on AC coupled receiver pins before the FPGA is configured.

Symbol/Description	Condition	All Transceiver Speed Grades			Unit
		Min	Typ	Max	
Maximum peak-to-peak differential input voltage $V_{ID}$ (diff p-p) before device configuration	—	—	—	2.0	V
Maximum peak-to-peak differential input voltage $V_{ID}$ (diff p-p) after device configuration	$V_{CCR\_GXB} = 1.03$ V	—	—	2.0	V
	$V_{CCR\_GXB} = 1.12$ V <sup>(106), (107)</sup>	—	—	1.8	V
Differential on-chip termination resistors	85- $\Omega$ setting	—	$85 \pm 20\%$	—	$\Omega$
	100- $\Omega$ setting	—	$100 \pm 20\%$	—	$\Omega$
$V_{ICM}$ (AC coupled)	$V_{CCR\_GXB} = 1.03$ V <sup>(107)</sup>	—	700	—	mV
	$V_{CCR\_GXB} = 1.12$ V <sup>(107)</sup>	—	750	—	mV
$t_{LTR}$ <sup>(108)</sup>	—	—	—	1	ms
$t_{LTD}$ <sup>(109)</sup>	—	4	—	—	$\mu$ s
$t_{LTD\_manual}$ <sup>(110)</sup>	—	4	—	—	$\mu$ s
$t_{LTR\_LTD\_manual}$ <sup>(111)</sup>	—	15	—	—	$\mu$ s

*continued...*

- (106) Bonded channels operating at data rates above 16 Gbps require  $1.12$  V  $\pm$  20 mV at the pin. For channels that are placed in the same H-Tile as the channels that required  $1.12$  V  $\pm$  20 mV,  $V_{CCR\_GXB} = 1.12$  V  $\pm$  20 mV.
- (107) For GXT channels,  $V_{CCR\_GXB}$  must be 1.12 V. For GX channels,  $V_{CCR\_GXB}$  must be 1.03 V.  $V_{CCR\_GXB}$  must be 1.12 V for the transceiver on the same H-Tile when using GX and GXT channels together.
- (108)  $t_{LTR}$  is the time required for the receive CDR to lock to the input reference clock frequency after coming out of reset or after CDR calibration is completed.
- (109)  $t_{LTD}$  is time required for the receiver CDR to start recovering valid data after the `rx_is_lockedtodata` signal goes high.
- (110)  $t_{LTD\_manual}$  is the time required for the receiver CDR to start recovering valid data after the `rx_is_lockedtodata` signal goes high when the CDR is functioning in the manual mode.

Symbol/Description	Condition	All Transceiver Speed Grades			Unit
		Min	Typ	Max	
Run Length	—	—	—	200	UI
CDR ppm tolerance	PCIe-only	-300	—	300	ppm
	All other protocols	-1000	—	1000	ppm

**Table 63. H-Tile Transmitter Specifications**

The data in this table is preliminary.

Symbol/Description	Condition	Transceiver Speed Grade 3			Unit
		Min	Typ	Max	
Supported I/O Standards	—	High Speed Differential I/O <sup>(112)</sup>			—
Differential on-chip termination resistors	85-Ω setting	—	85 ± 20%	—	Ω
	100-Ω setting	—	100 ± 20%	—	Ω
V <sub>OCM</sub> (AC coupled)	V <sub>CCT_GXB</sub> = 1.03 V <sup>(113)</sup>	—	515	—	mV
V <sub>OCM</sub> (AC coupled)	V <sub>CCT_GXB</sub> = 1.12 V <sup>(113)</sup>	—	560	—	mV
V <sub>OCM</sub> (DC coupled) <sup>(114)</sup>	V <sub>CCT_GXB</sub> = 1.03 V <sup>(113)</sup>	—	515	—	mV
V <sub>OCM</sub> (DC coupled) <sup>(114)</sup>	V <sub>CCT_GXB</sub> = 1.12 V <sup>(113)</sup>	—	560	—	mV

*continued...*

<sup>(111)</sup>  $t_{LTR\_LTD\_manual}$  is the time the receiver CDR must be kept in lock to reference (LTR) mode after the `rx_is_lockedtoref` signal goes high when the CDR is functioning in the manual mode.

<sup>(112)</sup> High Speed Differential I/O is the dedicated I/O standard for the transmitter in Intel Stratix 10 transceivers.

<sup>(113)</sup> For GXT channels, V<sub>CCT\_GXB</sub> must be 1.12 V. For GX channels, V<sub>CCT\_GXB</sub> must be 1.03 V. V<sub>CCT\_GXB</sub> must be 1.12 V when using GX and GXT channels together within the same H-Tile.

<sup>(114)</sup> DC coupling specifications are pending silicon characterization.

Symbol/Description	Condition	Transceiver Speed Grade 3			Unit
		Min	Typ	Max	
Rise time <sup>(115)</sup>	20% to 80%	20	—	130	ps
Fall time <sup>(115)</sup>	80% to 20%	20	—	130	ps
Intra-differential pair skew	TX V <sub>CM</sub> = 0.5 V and slew rate of 15 ps	—	—	15 <sup>(116)</sup>	ps

**Table 64. H-Tile Typical Transmitter V<sub>OD</sub> Settings**

Symbol	V <sub>OD</sub> Setting <sup>(117)</sup>	V <sub>OD</sub> /V <sub>CCT_GXB</sub> Ratio
V <sub>OD</sub> differential value = V <sub>OD</sub> /V <sub>CCT_GXB</sub> ratio × V <sub>CCT_GXB</sub>	31	1.00
	30	0.97
	29	0.93
	28	0.90
	27	0.87
	26	0.83
	25	0.80
	24	0.77
	23	0.73
	22	0.70
	21	0.67
	20	0.63

*continued...*

<sup>(115)</sup> The Intel Quartus Prime software automatically selects the appropriate slew rate depending on the configured data rate or functional mode.

<sup>(116)</sup> This specification pertains to Hyper Memory Cube.

<sup>(117)</sup> Intel recommends a V<sub>OD</sub> ranging from 31 to 17.

Symbol	V <sub>OD</sub> Setting <sup>(117)</sup>	V <sub>OD</sub> /V <sub>CCT_GXB</sub> Ratio
	19	0.60
	18	0.57
	17	0.53
	16	0.50
	15	0.47
	14	0.43
	13	0.40
	12	0.37

**Table 65. H-Tile Transmitter Channel-to-channel Skew Specifications**

Mode	Channel Span	Maximum Skew	Unit
x6 Clock	Up to 6 channels in one bank	61	ps
x24 Clock	Up to 24 channels in one bank	500 <sup>(118)</sup>	ps

**Table 66. Transceiver Clocks Specifications for Intel Stratix 10 GX/SX H-Tile Devices**

Clock	Value	Unit
reconfig_clk	≤ 150	MHz
fixed_clk for the RX detect circuit	250 ± 20%	MHz

For OSC\_CLK\_1 specifications, refer to the External Configuration Clock Source Requirements section.

**Related Information**

- [External Configuration Clock Source Requirements](#) on page 105
- [PLLs and Clock Networks](#)

<sup>(117)</sup> Intel recommends a V<sub>OD</sub> ranging from 31 to 17.

<sup>(118)</sup> 500 ps is not supported for all configurations and depends upon the Master CGB placement.



## E-Tile Transceiver Performance Specifications

### Transceiver Performance for Intel Stratix 10 E-Tile Devices

**Table 67. E-Tile Transmitter and Receiver Data Rate Performance Specifications**

Symbol/Description	Condition	Transceiver Speed Grade		
		-1	-2	-3
Supported data rate <sup>(119)</sup>	NRZ	28.9 Gbps	28.3 Gbps	17.4 Gbps
	PAM4	57.8 Gbps <sup>(120)</sup>	56 Gbps	32 Gbps

### Transceiver Reference Clock Specifications

**Table 68. E-Tile Reference Clock LVPECL DC Electrical Characteristics**

Symbol	Refclk Parameter	Minimum	Typical	Maximum	Unit
V <sub>TT</sub>	Termination Voltage (2.5V compliant)	0.4	0.5	0.6	V
V <sub>TT</sub>	Termination Voltage (3.3V compliant)	1.04	1.3	1.56	V
R <sub>TT</sub>	Termination Resistor	40	50	60	Ohm
V <sub>DIFF</sub>	Differential Voltage	0.4	0.8	1.2	V
V <sub>CM</sub>	Input Common Mode Voltage (2.5V compliant, no internal termination resistor)	V <sub>DIFF</sub> /2		V <sub>CCCLK_GXE</sub> -V <sub>DIFF</sub> /2	V

*continued...*

<sup>(119)</sup> The supported data rate is for chip-to-chip and backplane links.

<sup>(120)</sup> Two channels are combined to support up to 57.8 Gbps.

Symbol	Refclk Parameter	Minimum	Typical	Maximum	Unit
$V_{CM}$	Input Common Mode Voltage (2.5V compliant, internal termination resistor)	$V_{CCCLK\_GXE} - 1.6$	$V_{CCCLK\_GXE} - 1.3$	$V_{CCCLK\_GXE} - 1.0$	V
$V_{CM}$	Input Common Mode Voltage (3.3V compliant, no internal termination resistor)	$V_{DIFF}/2$		$V_{CCCLK\_GXE} - V_{DIFF}/2$	V
$V_{CM}$	Input Common Mode Voltage (3.3V compliant, internal termination resistor)	1.4	2	2.6	V

**Table 69. E-Tile Reference Clock Electrical & Jitter Requirements**

Parameter	Condition	Minimum	Typical	Maximum	Unit
Frequency	-	125	156.25	700	MHz
Frequency Tolerance	-	-100		100	PPM
Clock Duty Cycle	-	45	50	55	%
Rise & Fall Times	20% - 80%	40		300	ps
Phase Jitter	12 KHz - 20 MHz		0.375	0.5	ps rms
Phase Noise <sup>(121)</sup>	10 KHz			-130	dBc/Hz
	100 KHz			-138	dBc/Hz
	500 KHz			-138	dBc/Hz
	3 MHz			-140	dBc/Hz
	10 MHz			-144	dBc/Hz
	20 MHz			-146	dBc/Hz

<sup>(121)</sup> The phase noise numbers in the table above are the maximum acceptable phase noise values measured at a carrier frequency of 156.25 MHz. To calculate the phase noise requirement at any other frequency, use the formula: REFCLK phase noise at f (MHz) = REFCLK phase noise at 156.25 MHz + 20\*log<sub>10</sub>(f/156.25)

## Transmitter Specifications for Intel Stratix 10 E-Tile Devices

**Table 70. E-Tile Transmitter Specifications**

Symbol/Description	Condition	Minimum	Typical	Maximum	Unit
Transmitter differential output voltage peak-to-peak	No precursor/postcursor de-emphasis		0.965		V
Transmitter common mode voltage		$V_{CCRT\_GXE}/2$			V

## Receiver Specifications for Intel Stratix 10 E-Tile Devices

**Table 71. E-Tile Receiver Specifications**

Symbol/Description	Condition	Minimum	Typical	Maximum	Unit
Supported I/O Standards	—	LVPECL			—
Absolute $V_{MAX}$ for a receiver pin <sup>(123)</sup>	NRZ	—	$V_{CCH\_GXE} + 0.3$	—	V
	PAM4	—	$V_{CCH\_GXE}$	—	V
Maximum peak-to-peak differential input voltage $V_{ID}$ (diff p-p) before/after device configuration <sup>(123)</sup>	—	1.2			V
$V_{CM}$ (AC coupled) <sup>(122) (123)</sup>	NRZ	GND	—	$V_{CCH\_GXE}$	V

*continued...*

(122) These values use internal AC-coupling. External AC-coupling capacitors are required when the RX input common mode voltage is beyond the range mentioned in this table (for PAM4 or NRZ). When using external AC-coupling capacitors, the RX termination is set to  $V_{CCH\_GXE}$ . When using internal AC-coupling capacitors, set the RX termination floating. The external AC-coupling capacitor has a typical value of at least 100 nF.

(123) To support Hot Swap with E-tile, ensure the following:

- RX inputs have external AC coupling capacitors of at least 100 nF.
- The absolute voltage applied to the RX+ and RX- pins should not exceed  $\pm 300$  mV (for a total of 600 mV p-p) (single ended).
- The total differential voltage (combination of RX+/RX-) should not exceed 1,200 mV.
- The transceiver termination selection must be external AC coupling (during mission mode).

Symbol/Description	Condition	Minimum	Typical	Maximum	Unit
	PAM4	GND + 0.3	—	$V_{CCH\_GXE} - 0.3$	V
Receiver run length <sup>(124)</sup>	—	—	—	100 <sup>(125)</sup>	symbols
DC input impedance	—	40	—	60	$\Omega$
DC differential input impedance	—	80	100	120	$\Omega$
Powered down DC input impedance	Receiver pin impedance when the receiver termination is powered down	100k	—	—	$\Omega$
Differential termination	From DC to 100 MHz	80	100	120	$\Omega$
PPM tolerance	Allowed frequency mismatch between REFCLK and RX data	—	—	750	ppm

## P-Tile Transceiver Performance Specifications

### Transceiver Performance for Intel Stratix 10 DX P-Tile Devices

**Table 72. P-Tile Transmitter and Receiver Data Rate Performance**

For specification status, see the *Data Sheet Status* table

Symbol/Description	Condition	Gen 1	Gen 2	Gen 3	Gen 4	Unit
Supported data rate <sup>(126)</sup>	PCIe	2.5	5	8	16	Gbps

<sup>(124)</sup> No additional transition density requirements apply.

<sup>(125)</sup> The incoming data must be statistically DC-balanced.

<sup>(126)</sup> Intel Ultra Path Interconnect (Intel UPI) supports chip-to-chip and low-loss cable up to 10.4 Gbps.

**Table 73. P-Tile PLLA Performance**

For specification status, see the *Data Sheet Status* table

Symbol/Description	Condition	Min	Typ	Max	Unit
VCO frequency	PCIe	—	5	—	GHz
	Intel UPI <sup>(127)</sup>	—	5.2	—	GHz
PLL bandwidth (BWTX_PKG_PLL1) <sup>(128)</sup>	PCIe 2.5 GT/s	1.5	—	22	MHz
	PCIe 5.0 GT/s	8	—	16	MHz
PLL bandwidth (BWTX_PKG_PLL2) <sup>(128)</sup>	PCIe 5.0 GT/s	5	—	16	MHz
PLL peaking (PKGTX_PLL1)	PCIe 2.5 GT/s	—	—	3	dB
	PCIe 5.0 GT/s	—	—	3	dB
PLL peaking (PKGTX_PLL2) <sup>(128)</sup>	PCIe 5.0 GT/s	1	—	—	dB

**Table 74. P-Tile PLLB Performance**

For specification status, see the *Data Sheet Status* table. PLLB is not used for the UPI mode.

Symbol/Description	Condition	Min	Typ	Max	Unit
VCO frequency	PCIe	—	8	—	GHz
PLL bandwidth (BWTX-PKG_PLL1) <sup>(129)</sup>	PCIe 8.0 GT/s	2	—	4	MHz
	PCIe 16.0 GT/s	2	—	4	MHz
<i>continued...</i>					

- (127) The maximum VCO frequency supported now for PLLA in Intel UPI mode is 5.2 GHz. This will increase to 5.6 GHz in future for Intel UPI mode operating at 11.2 Gbps.
- (128) The Tx PLL bandwidth must lie between the minimum and maximum ranges given in this table. PLL peaking must lie below the value in this table. Note that the PLL bandwidth extends from zero up to the values specified in this table. The PLL bandwidth is defined at the point where its transfer function crosses the -3 dB point.
- (129) The Tx PLL bandwidth must lie between the minimum and maximum ranges given in this table. PLL peaking must lie below the value in this table. Note that the PLL bandwidth extends from zero up to the values specified in this table. The PLL bandwidth is defined at the point where its transfer function crosses the -3 dB point.

Symbol/Description	Condition	Min	Typ	Max	Unit
PLL bandwidth (BWTX-PKG_PLL2) <sup>(129)</sup>	PCIe 8.0 GT/s	2	—	5	MHz
	PCIe 16.0 GT/s	2	—	5	MHz
PLL peaking (PKGTX-PLL1) <sup>(129)</sup>	PCIe 8.0 GT/s	—	—	2	dB
	PCIe 16.0 GT/s	—	—	2	dB
PLL peaking (PKGTX-PLL2) <sup>(129)</sup>	PCIe 8.0 GT/s	—	—	1	dB
	PCIe 16.0 GT/s	—	—	1	dB

## Transceiver Reference Clock Specifications

**Table 75. P-Tile Reference Clock Specifications**

For specification status, see the *Data Sheet Status* table

Symbol/Description	Condition	Min	Typ	Max	Unit
Supported I/O standards	—	HCSL			—
Input reference clock frequency <sup>(130)</sup>	—	99.97	100	100.03	MHz
Rising edge rate <sup>(131)</sup>	PCIe	0.6	—	4	V/ns
Falling edge rate <sup>(131)</sup>	PCIe	0.6	—	4	V/ns
Duty cycle	PCIe	40	—	60	%
Spread-spectrum modulating clock frequency	—	30	—	33	kHz
Spread-spectrum downspread	—	-0.5	—	0	%

*continued...*

<sup>(130)</sup> This number is with spread spectrum clocking (SSC) turned off. For systems with spread spectrum clocking, follow the specifications in *Section 8.6.3 Data Rate Independent Refclk Parameters* in the *PCI Express Base Specification Revision 4.0*.

<sup>(131)</sup> Measured from -150 mV to +150 mV on the differential waveform. The 300 mV measurement window is centered on the differential zero crossing.

Symbol/Description	Condition	Min	Typ	Max	Unit
Absolute $V_{MAX}$	—	—	—	1.15	V
Absolute $V_{MIN}$	—	—	—	-0.3	V
Peak-to-peak differential input voltage	—	300	—	1,500	mV
$V_{ICM}$ (DC coupled)	HCSL I/O standard for PCIe reference clock	250	—	550	mV
Cycle to cycle jitter (TCCJITTER) <sup>(132)</sup>	PCIe	—	—	150	ps
$T_{SSC-MAX-PERIOD-SLEW}$	Max SSC df/dt	—	—	1,250	ppm/us

**Related Information**

PCI Express Base Specification Revision 4.0

**Transmitter Specification for Intel Stratix 10 DX P-Tile Devices**

**Table 76. P-Tile Transmitter Specifications**

For specification status, see the *Data Sheet Status* table. AC coupling capacitors required for PCIe links are placed on the board external to the Intel Stratix 10 device. Intel UPI links are DC coupled and don't require AC coupling capacitors.

Symbol/Description	Condition	Min	Typ	Max	Unit
Supported I/O standards	—	High Speed Differential I/O			—
Differential on-chip termination resistors	PCIe	80	—	120	$\Omega$
Differential peak-to-peak voltage for full swing	PCIe 2.5 GT/s	800	—	1,100	mV
	PCIe 5.0 GT/s	800	—	1,100	mV
	PCIe 8.0 GT/s	800	—	1,100	mV
	PCIe 16.0 GT/s	800	—	1,100	mV

*continued...*

<sup>(132)</sup> For common reference clock architecture, follow the jitter limit specified in the PCI Express\* Card Electromechanical Specification for 2.5 GT/s, Section 4.3.7 *Refclk Specifications for 5.0 GT/s* and Section 4.3.8 *Refclk Specifications for 8.0 GT/s* in the *PCI Express Base Specification Revision 3.0*, and the Section 8.6 *Refclk Specifications for 16.0 GT/s* in the *PCI Express Base Specification Revision 4.0*.

Symbol/Description	Condition	Min	Typ	Max	Unit
Differential peak-to-peak voltage during EIEOS	PCIe 8.0 GT/s and 16.0 GT/s	250	—	—	mV
Lane-to-lane output skew	PCIe 2.5 GT/s	—	—	2.5	ns
	PCIe 5.0 GT/s	—	—	2	ns
	PCIe 8.0 GT/s	—	—	1.5	ns
	PCIe 16.0 GT/s	—	—	1.25	ns
	Intel UPI <sup>(133)</sup>	—	—	5	UI

## Receiver Specifications for Intel Stratix 10 DX P-Tile Devices

**Table 77. P-Tile Receiver Specifications**

For specification status, see the *Data Sheet Status* table

Symbol/Description	Condition	Min	Typ	Max	Unit
Supported I/O Standards	—	High Speed Differential I/O			—
Peak-to-peak differential input voltage $V_{ID}$ (diff p-p)	PCIe 2.5 GT/s <sup>(134)</sup>	0.175	—	1.2	V
	PCIe 5.0 GT/s <sup>(134)</sup>	0.1	—	1.2	V
	PCIe 8.0 GT/s	25 <sup>(135)</sup>	—	— <sup>(136)</sup>	mV
	PCIe 16.0 GT/s	15 <sup>(135)</sup>	—	— <sup>(136)</sup>	mV

**continued...**

<sup>(133)</sup> Delay of any of Intel UPI 20 data lanes relative to other data lanes.

<sup>(134)</sup> Voltage shown for PCIe 2.5 GT/s and 5.0 GT/s are at the package pins (TP2).

<sup>(135)</sup> For PCIe at 2.5 and 5 GT/s, the  $V_{ID}$  is measured at TP2, which is the accessible test point at the device under test. For PCIe 8.0 GT/s and 16.0 GT/s, the  $V_{ID}$  is measured at TP2P. TP2P defines a reference point that comprehends the effects of the behavioral Rx package plus Rx equalization and represents the only location where a meaningful eye height and eye width limits can be defined.

<sup>(136)</sup> The maximum eye height value depends on the transmitter launch voltage maximum value. Refer to the PCIe Express Base Specification Rev. 4.0 for the generator (TX) launch voltage value.



Symbol/Description	Condition	Min	Typ	Max	Unit
Differential on-chip termination resistors	—	80	—	120	$\Omega$
RESREF <sup>(137)</sup>	—	167.3	169	170.7	$\Omega$
RREF	—	2.772	2.8	2.828	k $\Omega$

---

<sup>(137)</sup> Connecting RESREF at 169  $\Omega$  calibrates PCIe channel on-chip termination to 85  $\Omega$ .

## HPS Performance Specifications

This section provides hard processor system (HPS) specifications and timing for Intel Stratix 10 devices.

### HPS Clock Performance

**Table 78. Maximum HPS Clock Frequencies for Intel Stratix 10 Devices**

Performance	V <sub>CCL_HPS</sub> (V)	MPU Frequency (MHz)	SDRAM Interconnect Frequency <sup>(138)</sup> (MHz)	L3 Interconnect Frequency (MHz)
-E1V, -I1V	SmartVID	1,200	533	400
	0.9	1,200	533	400
	0.94	1,350	533	400 <sup>(139)</sup>
-E2V, -I2V	SmartVID	1,000	467	400
	0.9	1,000	467	400
	0.94	1,000	467	400
-E3V, -I3V	SmartVID	800	400	333
	0.9	800	400	333
	0.94	800	400	400
-E2L, -I2L <sup>(140)</sup>	0.9	1200	467	400
	0.94	1,350	467	400 <sup>(139)</sup>
-E3X, -I3X <sup>(140)</sup>	0.9	1,200	400	400
	0.94	1,350	400	400 <sup>(139)</sup>

<sup>(138)</sup> This frequency is for the `hmc_free_clk`, which is half the frequency of the HPS external memory interface (EMIF).

<sup>(139)</sup> If MPU frequency is 1,350 MHz, the L3 interconnect frequency is 385 MHz because of the clock ratios.

<sup>(140)</sup> Note that V<sub>CCL\_HPS</sub> can not be connected to SmartVID for -E2L, -I2L, -E3X, and -I3X devices.

### Related Information

[External Memory Interface Spec Estimator](#)

Provides the specific details of the maximum allowed SDRAM operating frequency.

## HPS Internal Oscillator Frequency

**Table 79. HPS Internal Oscillator Frequency for Intel Stratix 10 Devices**

Description	Min	Typ	Max	Unit
Internal Oscillator Frequency	100	200	300	MHz

## HPS PLL Specifications

### HPS PLL Input Requirements

**Table 80. HPS PLL Input Requirements for Intel Stratix 10 Devices**

The main HPS PLL receives its clock signals from the HPS\_OSC\_CLK pin. Refer to the *Intel Stratix 10 Device Family Pin Connection Guidelines* for information about assigning this pin.

Description	Min	Typ	Max	Unit
Clock input range	25	—	125	MHz
Clock input accuracy	—	—	50	PPM
Clock input duty cycle	45	50	55	%

### HPS PLL Performance

**Table 81. HPS PLL Performance for Intel Stratix 10 Devices**

Description	Min	Max	Unit
Main PLL VCO output	—	3000	MHz
Peripheral PLL VCO output	—	3000	MHz
h2f_user0_clk <sup>(141)</sup>	—	500	MHz
h2f_user1_clk <sup>(141)</sup>	—	500	MHz

### HPS Cold Reset

**Table 82. HPS Cold Reset for Intel Stratix 10 Devices**

Symbol	Description	Min	Max	Unit
t <sub>RST0</sub>	Minimum time for HPS_COLD_nRESET asserted <sup>(142)</sup>	3	—	ms

<sup>(141)</sup> The HPS PLL provides this clock to the FPGA fabric.

<sup>(142)</sup> HPS\_COLD\_nRESET may be ignored if HPS is not running or if the device is being configured.

## HPS SPI Timing Characteristics

**Table 83. SPI Master Timing Requirements for Intel Stratix 10 Devices**

You can adjust the input delay timing by programming the `rx_sample_dly` register.

Symbol	Description	Min	Typ	Max	Unit
$T_{spi\_ref\_clk}$	The period of the SPI internal reference clock, sourced from <code>l4_main_clk</code>	2.5	—	—	ns
$T_{clk}$	SPIM_CLK clock period	16.67	—	—	ns
$T_{duty\_cycle}$	SPIM_CLK duty cycle	45	50	55	%
$T_{ck\_jitter}$	SPIM_CLK output jitter	—	—	2	%
$T_{dio}$	Master-out slave-in (MOSI) output skew	-3	—	2	ns
$T_{dssfrst}^{(143)}$	SPI_SS_N asserted to first SPIM_CLK edge	$(1.5 \times T_{clk}) - 2$	—	—	ns
$T_{dsslst}^{(143)}$	Last SPIM_CLK edge to SPI_SS_N deasserted	$T_{clk} - 2$	—	—	ns
$T_{su}^{(144)}$	SPIM_MISO setup time with respect to SPIM_CLK capture edge	$4.5 - (rx\_sample\_dly \times T_{spi\_ref\_clk})^{(145)}$	—	—	ns
$T_h^{(144)}$	Input hold in respect to SPIM_CLK capture edge	$1.3 + (rx\_sample\_dly \times T_{spi\_ref\_clk})$	—	—	ns

<sup>(143)</sup> SPI\_SS\_N behavior differs depending on Motorola SPI, TI SSP or Microwire operational mode.

<sup>(144)</sup> The capture edge differs depending on the operational mode. For Motorola SPI, the capture edge can be the rising or falling edge depending on the `scpol` register bit; for TI SSP, the capture edge is the falling edge; for Microwire, the capture edge is the rising edge.

<sup>(145)</sup> Valid values of `rx_sample_dly` range from 1 to 64 (units are in  $T_{spi\_ref\_clk}$  steps).

Figure 7. SPI Master Output Timing Diagram



\*Serial clock phase configuration bit, in the SPI controller's CTRLR0 register

Figure 8. SPI Master Input Timing Diagram



\*Serial clock phase configuration bit, in the SPI controller's CTRLR0 register

**Table 84. SPI Slave Timing Requirements for Intel Stratix 10 Devices**

Symbol	Description	Min	Typ	Max	Unit
T <sub>spi_ref_clk</sub>	The period of the SPI internal reference clock, sourced from l4_main_clk	2.5	—	—	ns
T <sub>clk</sub>	SPIM_CLK clock period	30	—	—	ns
T <sub>dutycycle</sub>	SPIM_CLK duty cycle	45	50	55	%
T <sub>d</sub>	Master-in slave-out (MISO) output skew	$(2 \times T_{spi\_ref\_clk}) + \frac{3}{3}$	—	$(3 \times T_{spi\_ref\_clk}) + \frac{11}{11}$	ns
T <sub>su</sub>	Master-out slave-in (MOSI) setup time	4	—	—	ns
T <sub>h</sub>	Master-out slave-in (MOSI) hold time	9	—	—	ns
T <sub>suss</sub>	SPI_SS_N asserted to first SPIM_CLK edge	T <sub>spi_ref_clk</sub> + 4	—	—	ns
T <sub>hss</sub>	Last SPIM_CLK edge to SPI_SS_N deasserted	T <sub>spi_ref_clk</sub> + 4	—	—	ns



Figure 9. SPI Slave Output Timing Diagram



\*Serial clock phase configuration bit, in the SPI controller's CTRLR0 register

Figure 10. SPI Slave Input Timing Diagram



\*Serial clock phase configuration bit, in the SPI controller's CTRLR0 register

### **Related Information**

#### **SPI Controller**

For more information about the SPI controller and timing, refer to the *SPI Controller* chapter in the *Intel Stratix 10 Hard Processor System Technical Reference Manual*

## HPS SD/MMC Timing Characteristics

**Table 85. HPS Secure Digital (SD)/MultiMediaCard (MMC) Timing Requirements for Intel Stratix 10 Devices**

These timings apply to SD, MMC, and embedded MMC (eMMC) cards operating at 1.8 V.

Symbol	Description	Min	Typ	Max	Unit
T <sub>sdmmc_clk</sub>	SDMMC_CCLK clock period (Identification mode)	2500	—	—	ns
	SDMMC_CCLK clock period (SDR12)	40	—	—	ns
	SDMMC_CCLK clock period (SDR25)	20	—	—	ns
T <sub>dutycycle</sub>	SDMMC_CCLK duty cycle	45	50	55	%
T <sub>sdmmc_clk_jitter</sub>	SDMMC_CCLK output jitter	—	—	2	%
T <sub>sdmmc_clk</sub>	Internal reference clock before division by 4	5	—	—	ns
T <sub>d</sub>	SDMMC_CMD/SDMMC_DATA[7:0] output delay <sup>(146)</sup>	$T_{sdmmc\_clk} \times \text{drvsel}/2$	—	$3 + (T_{sdmmc\_clk} \times \text{drvsel}/2)$	ns
T <sub>su</sub>	SDMMC_CMD/SDMMC_DATA[7:0] input setup <sup>(147)</sup>	$6 - (T_{sdmmc\_clk} \times \text{smp1sel}/2)$	—	—	ns
T <sub>h</sub>	SDMMC_CMD/SDMMC_DATA[7:0] input hold <sup>(147)</sup>	$0.5 + (T_{sdmmc\_clk} \times \text{smp1sel}/2)$	—	—	ns

None of the HPS I/Os supports 3 V mode, while SD/MMC cards must operate at 3 V at power on. eMMC devices can operate at 1.8 V at power on.

**Note:** SD cards power up at 3 V. To support SD, your design must include a level shifter between the SD card and the HPS SD/MMC interface.

<sup>(146)</sup> When the `drvsel` bitfield in the `sdmmc` register is set to 3 (in the system manager) and the reference clock (`sdmmc_clk`) is 200 MHz for example, the output delay time is 7.5 to 10.5 ns.

<sup>(147)</sup> When the `smp1sel` bitfield in the `sdmmc` register is set to 2 (in the system manager) and the reference clock (`sdmmc_clk`) is 200 MHz for example, the setup time is 1 ns and the hold time is 5.5 ns.

Figure 11. SD/MMC Timing Diagram



### Related Information

#### SD/MMC Controller

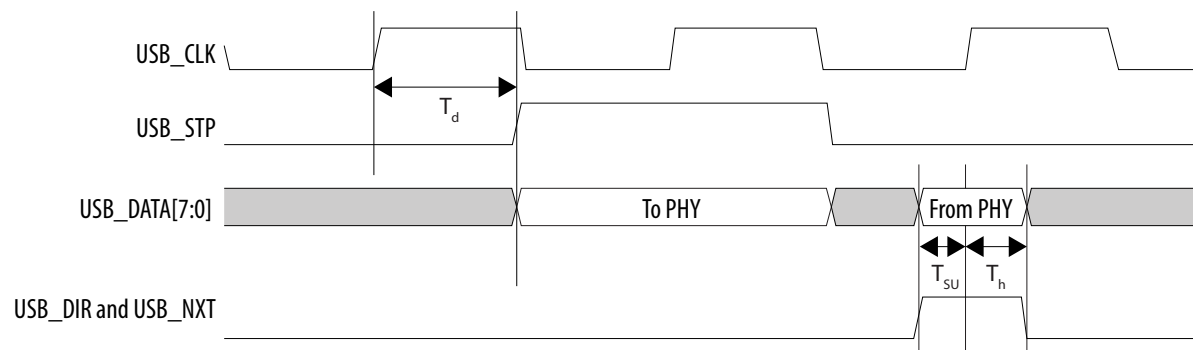
For more information about the SD/MMC controller and timing, refer to the *SD/MMC Controller* chapter in the *Intel Stratix 10 Hard Processor System Technical Reference Manual*

## HPS USB UPLI Timing Characteristics

**Table 86. HPS USB 2.0 Transceiver Macrocell Interface Plus (UTMI+) Low Pin Interface (ULPI) Timing Requirements for Intel Stratix 10 Devices**

Symbol	Description	Min	Typ	Max	Unit
$T_{usb\_clk}$	USB_CLK clock period	—	16.667	—	ns
$T_d$	Clock to USB_STP/USB_DATA[7:0] output delay	2	—	7	ns
$T_{su}$	Setup time for USB_DIR/USB_NXT/USB_DATA[7:0]	4	—	—	ns
$T_h$	Hold time for USB_DIR/USB_NXT/USB_DATA[7:0]	1	—	—	ns

**Figure 12. USB ULPI Timing Diagram**



**Note:** The USB interface supports single data rate (SDR) timing only.

### Related Information

#### USB 2.0 OTG Controller

For more information about the USB 2.0 OTG controller and timing, refer to the *USB 2.0 OTG Controller* chapter in the *Intel Stratix 10 Hard Processor System Technical Reference Manual*

## HPS Ethernet Media Access Controller (EMAC) Timing Characteristics

**Table 87. Reduced Gigabit Media Independent Interface (RGMII) TX Timing Requirements for Intel Stratix 10 Devices**

Symbol	Description	Min	Typ	Max	Unit
$T_{clk}$ (1000Base-T)	TX_CLK clock period	—	8	—	ns
$T_{clk}$ (100Base-T)	TX_CLK clock period	—	40	—	ns
$T_{clk}$ (10Base-T)	TX_CLK clock period	—	400	—	ns
$T_{duty}$ (1000Base-T)	TX_CLK duty cycle	45	50	55	%
$T_{duty}$ (10/100Base-T)	TX_CLK duty cycle	40	50	60	%
$T_d$ <sup>(148)</sup> (149)	TXD/TX_CTL to TX_CLK output skew	-0.5	—	0.5	ns

**Figure 13. RGMII TX and RMII TX Timing Diagram**



**Table 88. RGMII RX Timing Requirements for Intel Stratix 10 Devices**

Symbol	Description	Min	Typ	Max	Unit
$T_{clk}$ (1000Base-T)	RX_CLK clock period	—	8	—	ns
$T_{clk}$ (100Base-T)	RX_CLK clock period	—	40	—	ns

*continued...*

<sup>(148)</sup> Rise and fall times depend on the I/O standard, drive strength, and loading. Intel recommends simulating your configuration.

<sup>(149)</sup> If you connect a PHY that does not implement clock-to-data skew, you can delay TX\_CLK by 1.5–2.0 ns with the HPS I/O programmable delay, to meet the PHY's 1-ns data-to-clock skew requirement.

Symbol	Description	Min	Typ	Max	Unit
$T_{clk}$ (10Base-T)	RX_CLK clock period	—	400	—	ns
$T_{dutycycle}$ (1000Base-T)	RX_CLK duty cycle	45	50	55	%
$T_{dutycycle}$ (10/100Base-T)	RX_CLK duty cycle	40	50	60	%
$T_{su}$	RX_D/RX_CTL to RX_CLK setup time	1	—	—	ns
$T_h$ <sup>(150)</sup>	RX_CLK to RX_D/RX_CTL hold time	1	—	—	ns

Figure 14. RGMII RX and RMII RX Timing Diagram

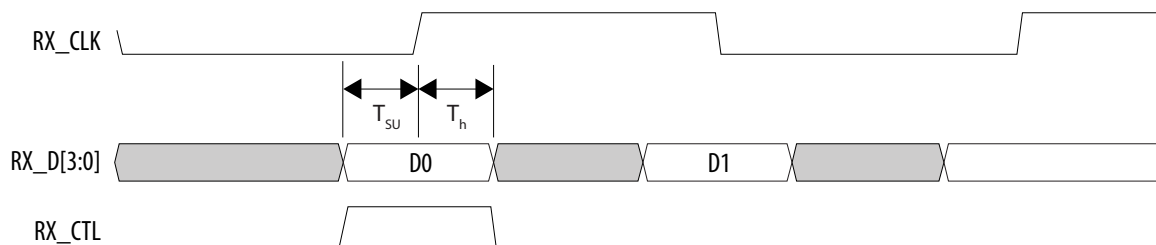


Table 89. Reduced Media Independent Interface (RMII) Clock Timing Requirements for Intel Stratix 10 Devices

Symbol	Description	Min	Typ	Max	Unit
$T_{clk}$	REF_CLK clock period, sourced by HPS TX_CLK	—	20	—	ns
	REF_CLK clock period, sourced by external clock source	—	20	—	ns
$T_{dutycycle\_int}$	Clock duty cycle, REF_CLK sourced by TX_CLK	35	50	65	%
$T_{dutycycle\_ext}$	Clock duty cycle, REF_CLK sourced by external clock source	35	50	65	%

Table 90. RMII TX Timing Requirements for Intel Stratix 10 Devices

Symbol	Description	Min	Typ	Max	Unit
$T_d$	TX_CLK to TXD/TX_CTL output data delay	2	—	10	ns

<sup>(150)</sup> If you connect a PHY that does not implement clock-to-data skew, you can meet the HPS EMAC’s 1 ns setup time by delaying RX\_CLK by 1.5-2 ns, using the HPS I/O programmable delay.



**Table 91. RMII RX Timing Requirements for Intel Stratix 10 Devices**

Symbol	Description	Min	Typ	Max	Unit
$T_{su}$	RX_D/RX_CTL setup time	2	—	—	ns
$T_h$	RX_D/RX_CTL hold time	1	—	—	ns

**Table 92. Management Data Input/Output (MDIO) Timing Requirements for Intel Stratix 10 Devices**

Symbol	Description	Min	Typ	Max	Unit
$T_{clk}$	MDC clock period	400	—	—	ns
$T_d$	MDC to MDIO output data delay	10	—	300	ns
$T_{su}$	Setup time for MDIO data	10	—	—	ns
$T_h$	Hold time for MDIO data	0	—	—	ns

**Figure 15. MDIO Timing Diagram**



**Related Information**

[Ethernet Media Access Controller](#)

For more information about the Ethernet MAC and timing, refer to the *Ethernet Media Access Controller* chapter in the *Intel Stratix 10 Hard Processor System Technical Reference Manual*

## HPS I<sup>2</sup>C Timing Characteristics

**Table 93. HPS I<sup>2</sup>C Timing Requirements for Intel Stratix 10 Devices**

Symbol	Description	Standard Mode		Fast Mode		Unit
		Min	Max	Min	Max	
T <sub>clk</sub>	Serial clock (SCL) clock period	10	—	2.5	—	μs
T <sub>clk_jitter</sub>	I2C clock output jitter	—	2	—	2	%
T <sub>HIGH</sub> <sup>(151)</sup>	SCL high period	4 <sup>(152)</sup>	—	0.6 <sup>(153)</sup>	—	μs
T <sub>LOW</sub> <sup>(154)</sup>	SCL low period	4.7 <sup>(155)</sup>	—	1.3 <sup>(156)</sup>	—	μs
T <sub>SU;DAT</sub>	Setup time for serial data line (SDA) data to SCL	0.25	—	0.1	—	μs
T <sub>HD;DAT</sub> <sup>(157)</sup>	Hold time for SCL to SDA data	0	3.15	0	0.6	μs
T <sub>VD;DAT</sub> and T <sub>VD;ACK</sub> <sup>(158)</sup>	SCL to SDA output data delay	—	3.45 <sup>(159)</sup>	—	0.9 <sup>(160)</sup>	μs

*continued...*

(151) You can adjust T<sub>high</sub> using the `ic_ss_scl_hcnt` or `ic_fs_scl_hcnt` register.

(152) The recommended minimum setting for `ic_ss_scl_hcnt` is 440.

(153) The recommended minimum setting for `ic_fs_scl_hcnt` is 71.

(154) You can adjust T<sub>low</sub> using the `ic_ss_scl_lcnt` or `ic_fs_scl_lcnt` register.

(155) The recommended minimum setting for `ic_ss_scl_lcnt` is 500.

(156) The recommended minimum setting for `ic_fs_scl_lcnt` is 141.

(157) T<sub>HD;DAT</sub> is affected by the rise and fall time.

(158) T<sub>VD;DAT</sub> and T<sub>VD;ACK</sub> are affected by the rise and fall time, as well as the SDA hold time (set by adjusting the `ic_sda_hold` register).

(159) Use maximum SDA\_HOLD = 240 to be within the specification.

(160) Use maximum SDA\_HOLD = 60 to be within the specification.

Symbol	Description	Standard Mode		Fast Mode		Unit
		Min	Max	Min	Max	
$T_{SU;STA}$	Setup time for a repeated start condition	4.7	—	0.6	—	$\mu s$
$T_{HD;STA}$	Hold time for a repeated start condition	4	—	0.6	—	$\mu s$
$T_{SU;STO}$	Setup time for a stop condition	4	—	0.6	—	$\mu s$
$T_{BUF}$	SDA high pulse duration between STOP and START	4.7	—	1.3	—	$\mu s$
$T_{scl;r}^{(161)}$	SCL rise time	—	1000	20	300	ns
$T_{scl:f}^{(161)}$	SCL fall time	—	300	6.54	300	ns
$T_{sda;r}^{(161)}$	SDA rise time	—	1000	20	300	ns
$T_{sda:f}^{(161)}$	SDA fall time	—	300	6.54	300	ns

---

<sup>(161)</sup> Rise and fall time parameters vary depending on external factors such as the characteristics of the IO driver, pull-up resistor value, and total capacitance on the transmission line.

Figure 16. I<sup>2</sup>C Timing Diagram



**Related Information**

**I<sup>2</sup>C Controller**

For more information about the I<sup>2</sup>C controller and timing, refer to the *I<sup>2</sup>C Controller* chapter in the *Intel Stratix 10 Hard Processor System Technical Reference Manual*

## HPS NAND Timing Characteristics

**Table 94. HPS NAND ONFI 1.0 Timing Requirements for Intel Stratix 10 Devices**

Symbol	Description	Min	Max	Unit
T <sub>WP</sub> <sup>(162)</sup>	Write enable pulse width	10	—	ns
T <sub>WH</sub> <sup>(162)</sup>	Write enable hold time	7	—	ns
T <sub>RP</sub> <sup>(162)</sup>	Read enable pulse width	10	—	ns
T <sub>REH</sub> <sup>(162)</sup>	Read enable hold time	7	—	ns
T <sub>CLS</sub> <sup>(162)</sup>	Command latch enable to write enable setup time	10	—	ns
T <sub>CLH</sub> <sup>(162)</sup>	Command latch enable to write enable hold time	5	—	ns
T <sub>CS</sub> <sup>(162)</sup>	Chip enable to write enable setup time	15	—	ns
T <sub>CH</sub> <sup>(162)</sup>	Chip enable to write enable hold time	5	—	ns
T <sub>ALS</sub> <sup>(162)</sup>	Address latch enable to write enable setup time	10	—	ns
T <sub>ALH</sub> <sup>(162)</sup>	Address latch enable to write enable hold time	5	—	ns
T <sub>DS</sub> <sup>(162)</sup>	Data to write enable setup time	7	—	ns
T <sub>DH</sub> <sup>(162)</sup>	Data to write enable hold time	5	—	ns
T <sub>WB</sub> <sup>(162)</sup>	Write enable high to R/B low	—	200	ns
T <sub>CEA</sub>	Chip enable to data access time	—	100	ns
T <sub>REA</sub>	Read enable to data access time	—	40	ns
T <sub>RHZ</sub>	Read enable to data high impedence	—	200	ns
T <sub>RR</sub>	Ready to read enable low	20	—	ns

<sup>(162)</sup> This timing is software programmable. Refer to the *NAND Flash Controller* chapter in the *Stratix 10 Hard Processor System Technical Reference Manual* for more information about software-programmable timing in the NAND flash controller.

Figure 17. NAND Command Latch Timing Diagram

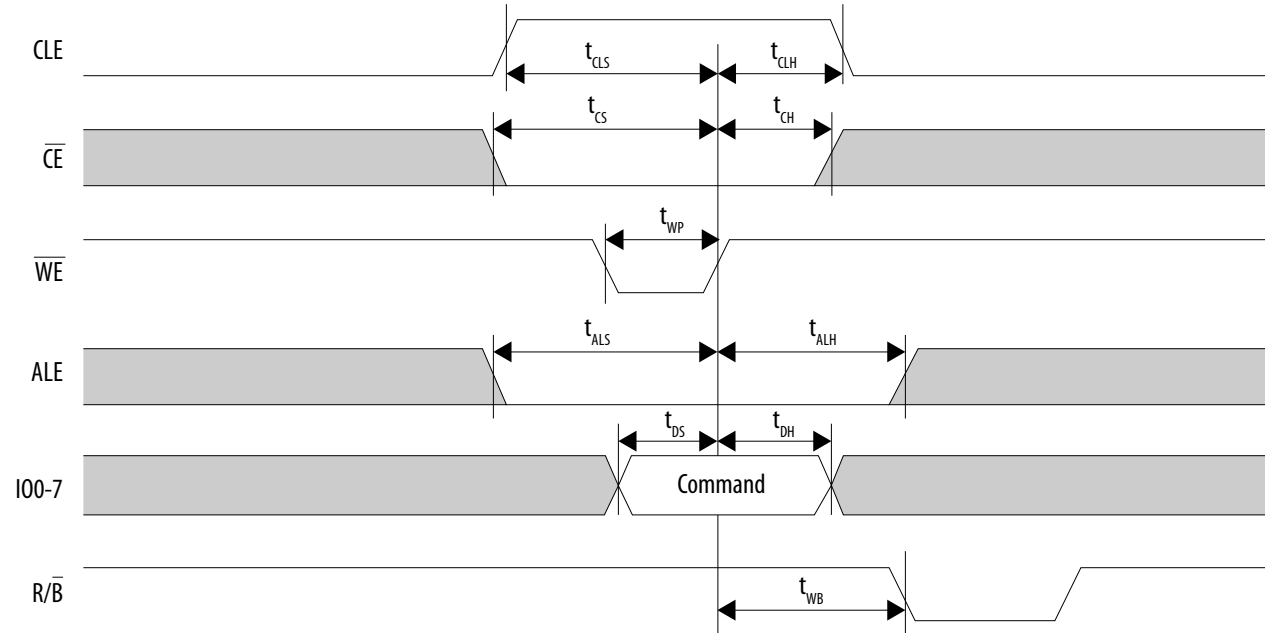


Figure 18. NAND Address Latch Timing Diagram



Figure 19. NAND Data Output Cycle Timing Diagram



Figure 20. NAND Data Input Cycle Timing Diagram

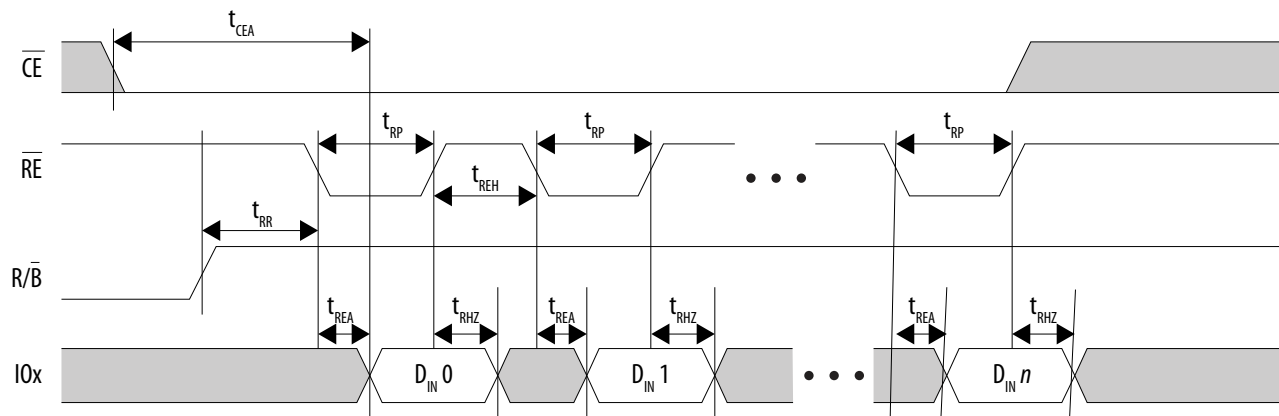




Figure 21. NAND Data Input Timing Diagram for Extended Data Output (EDO) Cycle



Figure 22. NAND Read Status Timing Diagram



Figure 23. NAND Read Status Enhanced Timing Diagram



### Related Information

#### NAND Flash Controller

Refer to the *NAND Flash Controller* chapter in the *Intel Stratix 10 Hard Processor System Technical Reference Manual* for more information about the NAND flash controller and timing, particularly software-programmable timing.

## HPS Trace Timing Characteristics

**Table 95. Trace Timing Requirements for Intel Stratix 10 Devices**

To increase the trace bandwidth, Intel recommends routing the trace interface to the FPGA in the HPS Platform Designer (Standard) component. The FPGA trace interface offers a 64-bit single data rate path that can be converted to double data rate to minimize FPGA I/O usage.

Depending on the trace module that you connect to the HPS trace interface, you may need to include board termination to achieve the maximum sampling speed possible. Refer to your trace module datasheet for termination recommendations.

Most trace modules implement programmable clock and data skew, to improve trace data timing margins. Alternatively, you can change the clock-to-data timing relationship with the HPS programmable I/O delay.

Symbol	Description	Min	Typ	Max	Unit
$T_{clk}$	Trace clock period	6.667	—	—	ns
$T_{clk\_jitter}$	Trace clock output jitter	—	—	2	%
$T_{dutycycle}$	Trace clock maximum duty cycle	45	50	55	%
$T_d$	$T_{clk}$ to D0–D15 output data delay	0	—	1.8	ns

**Figure 24. Trace Timing Diagram**



## HPS GPIO Interface

The general-purpose I/O (GPIO) interface has debounce circuitry included to remove signal glitches. The debounce clock frequency ranges from 125 Hz to 32 kHz. The minimum pulse width is 1 debounce clock cycle and the minimum detectable GPIO pulse width is 62.5  $\mu$ s (at 32 kHz).

If the external signal is driven into the GPIO for less than one clock cycle, the external signal is filtered. If the external signal is between one and two clock cycles, the external signal may or may not be filtered depending on the phase of the signal. If the external signal is more than two clock cycles, the external signal is not filtered.

### Related Information

#### [General-Purpose I/O Interface](#)

For more information about the GPIO interface and timing, refer to the *General-Purpose I/O Interface* chapter in the *Intel Stratix 10 Hard Processor System Technical Reference Manual*

## HPS JTAG Timing Characteristics

**Table 96. HPS JTAG Timing Requirements for Intel Stratix 10 Devices**

Symbol	Description	Min	Typ	Max	Unit
$t_{JCP}$	TCK clock period	41.66	—	—	ns
$t_{JCH}$	TCK clock high time	20	—	—	ns
$t_{JCL}$	TCK clock low time	20	—	—	ns
$t_{JPSU}$ (TDI)	TDI JTAG port setup time	5	—	—	ns
$t_{JPSU}$ (TMS)	TMS JTAG port setup time	5	—	—	ns
$t_{JPH}$	JTAG port hold time	0	—	—	ns
$t_{JPCO}$	JTAG port clock to output	0	—	8	ns
$t_{JPZX}$	JTAG port high impedance to valid output	—	—	10	ns
$t_{JPXZ}$	JTAG port valid output to high impedance	—	—	10	ns

## HPS Programmable I/O Timing Characteristics

**Table 97. HPS Programmable I/O Delay for Intel Stratix 10 Device**

Programmable Delay	Description	Min	Typ	Max	Unit
0, 2, 4, 6, 8, 10, 12, 14, 16, 18, 20, 22, 24, 26, 28, 30	No delay enabled	—	0	—	ps
1	Delay Step 1	—	120	—	ps
3	Delay Step 2	—	240	—	ps
5	Delay Step 3	—	360	—	ps
7	Delay Step 4	—	480	—	ps
9	Delay Step 5	—	600	—	ps
11	Delay Step 6	—	720	—	ps
13	Delay Step 7	—	840	—	ps
15	Delay Step 8	—	960	—	ps
17	Delay Step 9	—	1080	—	ps
19	Delay Step 10	—	1200	—	ps
21	Delay Step 11	—	1320	—	ps
23	Delay Step 12	—	1440	—	ps
25	Delay Step 13	—	1560	—	ps
27	Delay Step 14	—	1680	—	ps
29	Delay Step 15	—	1800	—	ps
31	Delay Step 16	—	1920	—	ps

You can program the number of delay steps by adjusting the I/O Delay register (`io0_delay` through `io47_delay` for I/Os 0 through 47).

## Configuration Specifications

### General Configuration Timing Specifications

**Table 98. General Configuration Timing Specifications for Intel Stratix 10 Devices**

Symbol	Description	Requirement		Unit
		Min	Max	
$t_{CF12ST1}$	nCONFIG high to nSTATUS high	—	20	ms
$t_{CF02ST0}$	nCONFIG low to nSTATUS low when device is configured	—	400 <sup>(163)</sup>	ms
$t_{ST0}$	nSTATUS low pulse during configuration error	0.5	10	ms
$t_{CD2UM}$ <sup>(164)</sup>	CONF_DONE high to user mode	—	5	ms
$t_{ST12CF0}$	Minimum time to drive nCONFIG from high to low after nSTATUS transitions from low to high	0	—	ms
$t_{ST02CF1}$	Minimum time to drive nCONFIG from low to high after nSTATUS transitions from high to low	0	—	ms

<sup>(163)</sup> The duration may be up to 1000 ms if using device security feature.

<sup>(164)</sup> This specification is the initialization time that indicates the time from CONF\_DONE signal goes high to INIT\_DONE signal goes high.



Figure 25. General Configuration Timing Diagram



## POR Specifications

Power-on reset (POR) delay is defined as the delay between the time when all the power supplies monitored by the POR circuitry reach the minimum recommended operating voltage to the time when the **nSTATUS** is released high and your device is ready to begin configuration.

Table 99. POR Delay Specification for Intel Stratix 10 Devices

POR Delay	Minimum	Maximum	Unit
AS (Normal mode), AVST ×8, AVST ×16, AVST ×32	12	20	ms
AS (Fast mode)	2	6.5	ms

## External Configuration Clock Source Requirements

Table 100. External Configuration Clock Source (OSC\_CLK\_1) Clock Input Requirements

Description	External Clock Source	Min	Typ	Max	Unit
Clock input frequency <sup>(165)</sup>	Powered by $V_{CCIO\_SDM}$	25/100/125			MHz
Clock input jitter tolerance		—	—	2	%
Clock input duty cycle		45	50	55	%

## JTAG Configuration Timing

**Table 101. JTAG Timing Parameters and Values for Intel Stratix 10 Devices**

Symbol	Description	Requirement		Unit
		Minimum	Maximum	
t <sub>JCP</sub>	TCK clock period	30	—	ns
t <sub>JCH</sub>	TCK clock high time	14	—	ns
t <sub>JCL</sub>	TCK clock low time	14	—	ns
t <sub>JPSU (TDI)</sub>	TDI JTAG port setup time	2	—	ns
t <sub>JPSU (TMS)</sub>	TMS JTAG port setup time	3	—	ns
t <sub>JPH</sub>	JTAG port hold time	5	—	ns
t <sub>JPCO</sub>	JTAG port clock to output	—	7	ns
t <sub>JPZX</sub>	JTAG port high impedance to valid output	—	14	ns
t <sub>JPXZ</sub>	JTAG port valid output to high impedance	—	14	ns

**Note:** P-tile supports IEEE 1149.6 JTAG standard at maximum speed of 1 MHz only if you use EXTEST\_PULSE/EXTEST\_TRAIN AC JTAG instruction.

<sup>(165)</sup> The acceptable clock frequencies are 25 MHz, 100 MHz, and 125 MHz only. You must match the external configuration clock frequency on the OSC\_CLK\_1 pin to the configuration clock source assignment in the Intel Quartus Prime software. Other frequencies in the range are not supported.

Figure 26. JTAG Timing Diagram



## AS Configuration Timing

Table 102. AS Timing Parameters for Intel Stratix 10 Devices

Intel recommends performing trace length matching for nCSO and AS\_DATA pins to AS\_CLK to minimize the skew. The maximum tolerance for skew between nCSO and AS\_CLK is recommended to be less than 200 ps. The tolerance for skew between AS\_CLK to AS\_DATA must be within 0 ps – 400 ps.

Symbol	Description	Minimum	Typical	Maximum	Unit
$T_{clk}^{(166)}$	AS_CLK clock period	—	8	—	ns
$T_{duty}$	AS_CLK duty cycle	45	50	55	%
$T_{dcst}$	AS_nCSO[3:0] asserted to first AS_CLK edge	11.65	—	—	ns
$T_{dcslst}$	Last AS_CLK edge to AS_nCSO[3:0] deasserted	9.23	—	—	ns

*continued...*

(166) AS\_CLK  $f_{max}$  has dependency on the maximum board loading. For AS single device configuration or AS using multiple serial flash devices configuration, use the equations in  $T_{do}$  and  $T_{ext\_delay}$  notes to ensure your board has sufficient timing margin to meet flash setup/hold time specifications and Intel Stratix 10 AS timing specifications in the *Intel Stratix 10 Device Datasheet*. For AS using multiple serial flash devices, refer to the *Intel Stratix 10 Configuration User Guide* for the recommended AS\_CLK frequency and maximum board loading.

Symbol	Description	Minimum	Typical	Maximum	Unit
$T_{do}^{(167)}$	AS_DATA[3:0] output delay	-1.5	—	1.31	ns
$T_{ext\_delay}^{(168)(169)}$ (170)	Total external propagation delay on AS signals	0	—	18	ns
$T_{dcsb2b}$	Minimum delay of slave select deassertion between two back-to-back transfers	62	—	—	ns

(167) Load capacitance for DCLK = 10 pF and AS\_DATA = 18 pF. Intel recommends obtaining the  $T_{do}$  for a given link (including receiver, transmission lines, connectors, termination resistors, and other components) through IBIS or HSPICE simulation.

Use the following equations to do static timing analysis for flash setup/hold timing.

- To analyze flash setup time,  $T_{su} = AS\_CLK/2 - T_{do(max)} + T_{bd\_clk} - T_{bd\_data(max)}$
- To analyze flash hold time,  $T_{ho} = AS\_CLK/2 + T_{do(min)} - T_{bd\_clk} + T_{bd\_data(min)}$

(168)  $T_{ext\_delay} = T_{bd\_clk} + T_{co} + T_{bd\_data} + T_{add}$

$T_{bd\_clk}$ : Propagation delay for AS\_CLK between FPGA and flash device.

$T_{co}$ : Output hold time and clock low to output valid of flash device. This delay must be used to ensure  $T_{ext\_delay}$  is within the minimum and maximum specification values.

$T_{bd\_data}$ : Propagation delay for AS\_DATA bus between FPGA and flash device.

$T_{add}$ : Propagation delay for active/passive components on AS\_DATA interfaces.

(169) Meeting  $T_{ext\_delay}$  timing specifications indicates that the AS\_DATA setup/hold timing is met.

(170)  $T_{ext\_delay}$  specification is based on AS\_CLK = 125 MHz. The value can be larger at lower AS\_CLK frequency. For more details, refer to the *Intel Stratix 10 Configuration User Guide*.

Figure 27. AS Configuration Serial Output Timing Diagram



Figure 28. AS Configuration Serial Input Timing Diagram



**Related Information**

[AS\\_CLK, Intel Stratix 10 Configuration User Guide](#)

Provides the supported configuration clock source and AS\_CLK frequencies in Intel Stratix 10 devices.

**Avalon®-ST Configuration Timing**

Table 103. Avalon®-ST Timing Parameters for ×8, ×16, and ×32 Configurations in Intel Stratix 10 Devices

Symbol	Description	Minimum	Maximum	Unit
t <sub>ACLKH</sub>	AVST_CLK high time	3.6	—	ns
t <sub>ACLKL</sub>	AVST_CLK low time	3.6	—	ns
t <sub>ACLKP</sub>	AVST_CLK period	8	—	ns

*continued...*

Symbol	Description	Minimum	Maximum	Unit
$t_{\text{ADSU}}^{(171)}$	AVST_DATA setup time before rising edge of AVST_CLK	5.5	—	ns
$t_{\text{ADH}}^{(171)}$	AVST_DATA hold time after rising edge of AVST_CLK	0	—	ns
$t_{\text{AVSU}}$	AVST_VALID setup time before rising edge of AVST_CLK	5.5	—	ns
$t_{\text{AVDH}}$	AVST_VALID hold time after rising edge of AVST_CLK	0	—	ns

---

<sup>(171)</sup> Data sampled by the FPGA (sink) at the next rising clock edge.

Figure 29. Avalon®-ST Configuration Timing Diagram



Notes:

1. For Avalon-ST x16 and x32, this signal is AVST\_CLK. These clocks must be running throughout the configuration (until CONF\_DONE goes high).
2. AVST\_READY is valid only when nSTATUS is high. AVST\_READY is an asynchronous signal to AVSTx8\_CLK/AVST\_CLK.
3. For Avalon-ST x16 and x32, this signal is AVST\_VALID.
4. The waveforms shows the interface signals with a host which uses ready latency =2. The AVSTx8\_VALID signal is delayed from AVST\_READY signal by 2 clock cycles.
5. For Avalon-ST x16 and x32, this signal is AVST\_DATA[15:0] and AVST\_DATA[31:0] respectively.
6. Host may send up to 6 more data after AVST\_READY has de-asserted.

## Configuration Bit Stream Sizes

**Table 104. Configuration Bit Stream Sizes for Intel Stratix 10 Devices**

This table shows the estimated configuration bit stream sizes of the EPCQ-L serial configuration device or external flash size before design compilation. The sizes are for compressed bit stream. The actual sizes may vary based on your design. The actual sizes may be equal or smaller than the bit stream sizes in this table.

256 Mb quad SPI flash size is adequate to store the Intel Stratix 10 periphery image.

Variant	Product Line	Compressed Configuration Bit Stream Size (Mbits)
Intel Stratix 10 GX, SX, TX, MX, and DX	GX 400, SX 400, TX 400	79
	GX 650, SX 650	127
	GX 850, GX 1100, SX 850, SX 1100, TX 850, TX 1100, DX 1100	226
	GX 1660, GX 2110, TX 1650, TX 2100, MX 1650, MX 2100, DX 2100	379
	GX 1650, GX 2100, GX 2500, GX 2800, SX 1650, SX 2100, SX 2500, SX 2800, TX 2500, TX 2800, DX 2800	577
	GX 10M	654 <sup>(172)</sup>

## I/O Timing

I/O timing data is typically used prior to designing the FPGA to get an estimate of the timing budget as part of the timing analysis. You may generate the I/O timing report manually using the Timing Analyzer or using the automated script.

The Intel Quartus Prime Timing Analyzer provides a more accurate and precise I/O timing data based on the specifics of the design after you complete place-and-route.

### Related Information

[AN 775: I/O Timing Information Generation Guidelines](#)

Provides the techniques to generate I/O timing information using the Intel Quartus Prime software.

<sup>(172)</sup> Intel Stratix 10 GX 10M FPGA has two high-density Intel Stratix 10 GX FPGA core fabric die. This value is the bit stream size for one core fabric die.



## Programmable IOE Delay

**Table 105. Programmable IOE Delay for Intel Stratix 10 Devices**

For the exact values for each setting, use the latest version of the Intel Quartus Prime software. The values in the table show the delay of programmable IOE delay chain with maximum offset settings after excluding the intrinsic delay (delay at minimum offset settings).

Programmable IOE delay settings are only applicable for I/O buffers and do not apply for any other delay elements in the PHY Lite for Parallel Interfaces Intel Stratix 10 FPGA IP core.

Parameter <sup>(173)</sup>	Maximum Offset	Minimum Offset <sup>(174)</sup>	Fast Model	Slow Model			Unit
			Industrial/Extended	-E1V, -I1V	-E2V, -I2V	-E3V, -I3V	
Input Delay Chain (INPUT_DELAY_CHAIN)	63	0	1.575	2.310	2.352	2.654	ns
Output Delay Chain (OUTPUT_DELAY_CHAIN)	15	0	0.387	0.523	0.560	0.629	ns

## Glossary

**Table 106. Glossary**

Term	Definition
Differential I/O Standards	Receiver Input Waveforms
<i>continued...</i>	

<sup>(173)</sup> You can set this value in the Intel Quartus Prime software by selecting **Input Delay Chain Setting** or **Output Delay Chain Setting** in the **Assignment Name** column.

<sup>(174)</sup> Minimum offset does not include the intrinsic delay.

Term	Definition
	<p><b>Single-Ended Waveform</b></p>  <p>Positive Channel (p) = <math>V_{IH}</math> Negative Channel (n) = <math>V_{IL}</math> Ground</p> <p><b>Differential Waveform</b></p>  <p>p - n = 0 V</p> <p><b>Transmitter Output Waveforms</b></p> <p><b>Single-Ended Waveform</b></p>  <p>Positive Channel (p) = <math>V_{OH}</math> Negative Channel (n) = <math>V_{OL}</math> Ground</p> <p><b>Differential Waveform</b></p>  <p>p - n = 0 V</p>
$f_{HSCLK}$	I/O PLL input clock frequency.
$f_{HSDR}$	High-speed I/O block—Maximum/minimum LVDS data transfer rate ( $f_{HSDR} = 1/T_{UI}$ ), non-DPA.
$f_{HSRDPA}$	High-speed I/O block—Maximum/minimum LVDS data transfer rate ( $f_{HSRDPA} = 1/T_{UI}$ ), DPA.
J	High-speed I/O block—Deserialization factor (width of parallel data bus).
JTAG Timing Specifications	JTAG Timing Specifications:

*continued...*

Term	Definition
$R_L$	Receiver differential input discrete resistor (external to the Intel Stratix 10 device).
Sampling window (SW)	<p>Timing Diagram—the period of time during which the data must be valid in order to capture it correctly. The setup and hold times determine the ideal strobe position in the sampling window, as shown:</p>
Single-ended voltage referenced I/O standard	<p>The JEDEC standard for the SSTL and HSTL I/O defines both the AC and DC input signal values. The AC values indicate the voltage levels at which the receiver must meet its timing specifications. The DC values indicate the voltage levels at which the final logic state of the receiver is unambiguously defined. After the receiver input has crossed the AC value, the receiver changes to the new logic state.</p> <p>The new logic state is then maintained as long as the input stays beyond the DC threshold. This approach is intended to provide predictable receiver timing in the presence of input waveform ringing.</p> <p>Single-Ended Voltage Referenced I/O Standard</p>

*continued...*

Term	Definition
$t_c$	High-speed receiver/transmitter input and output clock period.
TCCS (channel-to-channel-skew)	The timing difference between the fastest and slowest output edges, including the $t_{CO}$ variation and clock skew, across channels driven by the same PLL. The clock is included in the TCCS measurement (refer to the Timing Diagram figure under SW in this table).
$t_{DUTY}$	High-speed I/O block—Duty cycle on high-speed transmitter output clock.
$t_{FALL}$	Signal high-to-low transition time (80–20%).
$t_{INCCJ}$	Cycle-to-cycle jitter tolerance on the PLL clock input.
$t_{OUTPJ\_IO}$	Period jitter on the GPIO driven by a PLL.
$t_{OUTPJ\_DC}$	Period jitter on the dedicated clock output driven by a PLL.
$t_{RISE}$	Signal low-to-high transition time (20–80%).
Timing Unit Interval (TUI)	The timing budget allowed for skew, propagation delays, and the data sampling window. (TUI = $1/(\text{Receiver Input Clock Frequency Multiplication Factor}) = t_c/w$ ).
$V_{CM(DC)}$	DC Common mode input voltage.
$V_{ICM}$	Input Common mode voltage—The common mode of the differential signal at the receiver.
$V_{ICM(DC)}$	$V_{CM(DC)}$ DC Common mode input voltage.
$V_{ID}$	Input differential voltage swing—The difference in voltage between the positive and complementary conductors of a differential transmission at the receiver.
$V_{DIF(AC)}$	AC differential input voltage—Minimum AC input differential voltage required for switching.
$V_{DIF(DC)}$	DC differential input voltage— Minimum DC input differential voltage required for switching.
<i>continued...</i>	

Term	Definition
$V_{IH}$	Voltage input high—The minimum positive voltage applied to the input which is accepted by the device as a logic high.
$V_{IH(AC)}$	High-level AC input voltage.
$V_{IH(DC)}$	High-level DC input voltage.
$V_{IL}$	Voltage input low—The maximum positive voltage applied to the input which is accepted by the device as a logic low.
$V_{IL(AC)}$	Low-level AC input voltage.
$V_{IL(DC)}$	Low-level DC input voltage.
$V_{OCM}$	Output Common mode voltage—The common mode of the differential signal at the transmitter.
$V_{OD}$	Output differential voltage swing—The difference in voltage between the positive and complementary conductors of a differential transmission line at the transmitter.
$V_{SWING}$	Differential input voltage.
$V_{OX}$	Output differential cross point voltage.
$V_{IX(AC)}$	Crossing point of differential signal 
W	High-speed I/O block—Clock Boost Factor.

## Document Revision History for the Intel Stratix 10 Device Datasheet

Document Version	Changes
2022.01.12	<ul style="list-style-type: none"> <li>Added a note to Simple quad-port, all supported widths mode in the <i>Memory Block Performance Specifications for Intel Stratix 10 Devices</i> table.</li> <li>Updated the <i>L-Tile Receiver Specifications</i> table.               <ul style="list-style-type: none"> <li>Added maximum peak-to-peak differential input voltage <math>V_{ID}</math> (diff p-p) specifications before device configuration.</li> <li>Updated maximum peak-to-peak differential input voltage <math>V_{ID}</math> (diff p-p) specifications after device configuration.</li> </ul> </li> <li>Updated the maximum peak-to-peak differential input voltage <math>V_{ID}</math> (diff p-p) after device configuration in the <i>H-Tile Receiver Specifications</i> table.</li> </ul>
2021.05.24	<ul style="list-style-type: none"> <li>Added specifications for 1SG065 and 1SX065 devices. Removed the note that mentioned about specifications for 1SG065 and 1SX065 devices will be available in a future release.</li> <li>Updated the <i>Recommended Operating Conditions for Intel Stratix 10 Devices</i> table.               <ul style="list-style-type: none"> <li>Updated the extended grade minimum <math>T_J</math> specifications for Intel Stratix 10 GX 10M device.</li> <li>Added clarity for the industrial grade minimum <math>T_J</math> specifications.</li> </ul> </li> <li>Updated the <i>General Configuration Timing Diagram</i>.</li> <li>Updated the <i>AS Timing Parameters for Intel Stratix 10 Devices</i> table.               <ul style="list-style-type: none"> <li>Updated <math>T_{clk}</math>, <math>T_{dcsfrs}</math>, <math>T_{dcslst}</math>, <math>T_{ext\_delay}</math>, and <math>T_{dcsb2b}</math> specifications.</li> <li>Removed footnote for <math>T_{dcsfrs}</math> and <math>T_{dcslst}</math> specifications.</li> <li>Updated the footnote on <math>AS\_CLK</math> frequency for <math>T_{ext\_delay}</math> parameter.</li> </ul> </li> </ul>
2021.02.22	<ul style="list-style-type: none"> <li>Added the <i>HPS Cold Reset for Intel Stratix 10 Devices</i> table.</li> <li>Added <math>t_{ST12CF0}</math> and <math>t_{ST02CF1}</math> specifications in the <i>General Configuration Timing Specifications for Intel Stratix 10 Devices</i> table.</li> <li>Added <i>General Configuration Timing Diagram</i>.</li> <li>Changed the status of the <i>General Configuration Timing Specifications for Intel Stratix 10 Devices</i> table from Preliminary to Final.</li> </ul>
2020.12.24	<ul style="list-style-type: none"> <li>Added Intel Stratix 10 NX and DX 2100 devices in the following sections:               <ul style="list-style-type: none"> <li><i>Absolute Maximum Ratings for Intel Stratix 10 Devices</i> table</li> <li><i>Recommended Operating Conditions for Intel Stratix 10 Devices</i> table</li> <li><i>Performance Specifications of the HBM2 Interface in Intel Stratix 10 MX, NX, and SD 2100 Devices</i> table</li> <li><i>HBM2 Interface Performance</i> section</li> </ul> </li> <li>Updated the <i>E-Tile Receiver Specifications</i> table.               <ul style="list-style-type: none"> <li>Updated the Absolute <math>V_{MAX}</math> and <math>V_{CM}</math> specifications.</li> <li>Updated the note to <math>V_{CM}</math>.</li> <li>Added note to Absolute <math>V_{MAX}</math> and <math>V_{ID}</math> (diff p-p).</li> </ul> </li> <li>Updated the <i>P-Tile PLLA Performance</i> table.               <ul style="list-style-type: none"> <li>Added PLL bandwidth (BWTX-PKG_PLL1) and PLL peaking (PKGTX-PLL1) specifications for PCIe 5.0 GT/s.</li> <li>Updated PLL peaking (PKGTX-PLL2) specifications.</li> <li>Added note on PLL bandwidth and PLL peaking.</li> </ul> </li> </ul>

*continued...*

Document Version	Changes
	<ul style="list-style-type: none"> <li>• Updated the <i>P-Tile PLLB Performance</i> table. <ul style="list-style-type: none"> <li>— Added PLL bandwidth (BWTX-PKG_PLL2) and PLL peaking (PKGTX-PLL2) specifications.</li> <li>— Added note on PLL bandwidth and PLL peaking.</li> </ul> </li> <li>• Updated the spread-spectrum downspread, absolute <math>V_{MAX}</math>, and absolute <math>V_{MIN}</math> specifications in the <i>P-Tile Reference Clock Specifications</i> table.</li> <li>• Updated the differential peak-to-peak voltage for full swing specifications in the <i>P-Tile Transmitter Specifications</i> table.</li> <li>• Removed <math>V_{ICM}</math> (AC coupled) specifications from the <i>P-Tile Receiver Specifications</i> table.</li> </ul>
2020.07.08	<ul style="list-style-type: none"> <li>• Added -C2L speed grade in the <i>Intel Stratix 10 Device Grades and Speed Grades Supported</i> table.</li> <li>• Added a note to mention that the specifications for 1SG065 and 1SX065 devices will be available in a future release.</li> <li>• Added <math>T_J</math> and <math>T_{STG}</math> specifications for Intel Stratix 10 GX 10M device in the <i>Absolute Maximum Ratings for Intel Stratix 10 Devices</i> table.</li> <li>• Updated the <i>Recommended Operating Conditions for Intel Stratix 10 Devices</i> table. <ul style="list-style-type: none"> <li>— Added <math>V_{CC}</math>, <math>V_{CCP}</math>, and <math>T_J</math> specifications for Intel Stratix 10 GX 10M device.</li> <li>— Removed the note on HPS_PORSEL from <math>t_{RAMP}</math>. HPS_PORSEL pin is not available for Intel Stratix 10 devices.</li> </ul> </li> <li>• Updated <math>I_{I_3.3VIO}</math> specifications in the <i>I/O Pin Leakage Current for Intel Stratix 10 Devices</i> table.</li> <li>• Removed specifications for <math>V_{CCIO} = 3.3 \pm 5\%</math> and <math>V_{CCIO3C} = 3.0 \pm 5\%</math> in the <i>Internal Weak Pull-Up Resistor Values for Intel Stratix 10 Devices</i> table.</li> <li>• Added -C2L speed grade in the following tables: <ul style="list-style-type: none"> <li>— <i>Clock Tree Performance for Intel Stratix 10 Devices</i></li> <li>— <i>DSP Block Performance Specifications for Intel Stratix 10 Devices</i></li> <li>— <i>Memory Block Performance Specifications for Intel Stratix 10 Devices</i></li> </ul> </li> <li>• Added the <i>DIB Specifications for Intel Stratix 10 GX 10M Device</i> table.</li> <li>• Added -C2L speed grade in the <i>High-Speed I/O Specifications for Intel Stratix 10 Devices</i> table. Added note to transmitter and receiver -2 speed grade maximum specifications for SERDES factor J = 4 to 10.</li> <li>• Updated DDR-T specifications in the <i>Memory Standards Supported by the Soft Memory Controller for Intel Stratix 10 Devices</i> table.</li> <li>• Added note to <math>T_{ext\_delay}</math> in the <i>AS Timing Parameters for Intel Stratix 10 Devices</i>.</li> <li>• Added Intel Stratix 10 GX 10M device in the <i>Configuration Bit Stream Sizes for Intel Stratix 10 Devices</i> table.</li> <li>• Removed SD/MMC configuration mode specifications.</li> <li>• Removed Maximum Configuration Time Estimation specifications.</li> <li>• Changed Early Power Estimator (EPE) to Intel FPGA Power and Thermal Calculator (PTC).</li> </ul>
2020.05.22	<ul style="list-style-type: none"> <li>• Changed Intel Stratix 10 DX status from Preliminary to Final in the <i>Datasheet Status for Intel Stratix 10 Devices</i> table. Added a note to mention that specifications related to Intel Intellectual Property (IP) products, UPI IP, and DDR-T IP are preliminary.</li> <li>• Added DDR-T specifications in the <i>Memory Standards Supported by the Soft Memory Controller for Intel Stratix 10 Devices</i> table.</li> <li>• Updated the specifications in the <i>P-Tile Transmitter and Receiver Data Rate Performance</i> table.</li> <li>• Updated VCO frequency in the following tables: <ul style="list-style-type: none"> <li>— <i>P-Tile PLLA Performance</i></li> <li>— <i>P-Tile PLLB Performance</i></li> </ul> </li> </ul>

continued...

Document Version	Changes
	<ul style="list-style-type: none"> <li>• Updated the note to Input Reference Clock Frequency in the <i>P-Tile Reference Clock Specifications</i> table.</li> <li>• Updated the <i>P-Tile Transmitter Specifications</i> table.               <ul style="list-style-type: none"> <li>— Updated the Differential peak-to-peak voltage for full swing specifications.</li> <li>— Removed the Differential peak-to-peak voltage for reduced swing and Differential peak-to-peak voltage during EIEOS for reduce swing specifications.</li> </ul> </li> <li>• Updated the <i>P-Tile Receiver Specifications</i> table.               <ul style="list-style-type: none"> <li>— Added <math>V_{ID}</math> (diff p-p) PCIe 8.0 GT/s and PCIe 16.0 GT/s specifications.</li> <li>— Added a note to RESREF.</li> <li>— Added RREF specifications.</li> </ul> </li> </ul>
2020.03.10	<ul style="list-style-type: none"> <li>• Mentioned that the specifications for 1SG040HF35 and 1SX040HF35 devices are still preliminary in the <i>Datasheet Status for Intel Stratix 10 Devices</i> table.</li> <li>• Updated the <i>Absolute Maximum Ratings for Intel Stratix 10 Devices</i> table.               <ul style="list-style-type: none"> <li>— Added <math>V_{CCI03C}</math> and <math>V_{CCI03D}</math> specifications.</li> <li>— Updated the description for <math>V_{CCIO}</math>.</li> <li>— Added <math>V_1</math> specifications for 3.3 V I/O.</li> </ul> </li> <li>• Added a new table: <i>Maximum Allowed Overshoot During Transitions for Intel Stratix 10 Devices (for 3.3 V I/O)</i>.</li> <li>• Updated the <i>Recommended Operating Conditions for Intel Stratix 10 Devices</i> table.               <ul style="list-style-type: none"> <li>— Added <math>V_{CCI03C}</math>, <math>V_{CCI03D}</math>, and <math>V_1</math> (for 3.3 V I/O) specifications.</li> <li>— Updated the description for <math>V_{CCIO}</math>.</li> <li>— Updated note to <math>T_J</math> specification for Industrial.</li> </ul> </li> <li>• Added <math>I_{I\_3.3VIO}</math> specifications in the <i>I/O Pin Leakage Current for Intel Stratix 10 Devices</i> table.</li> <li>• Added <math>C_{IO\_3.3VIO}</math> specifications in the <i>Pin Capacitance for Intel Stratix 10 Devices</i> table.</li> <li>• Added <math>R_{PU}</math> specifications for 3.3 V I/O in the <i>Internal Weak Pull-Up Resistor Values for Intel Stratix 10 Devices</i> table.</li> <li>• Added 3.3 V LVTTTL, 3.3 V LVCMOS, 3.0 V LVTTTL, and 3.0 V LVCMOS specifications for 1SG040HF35 or 1SX040HF35 devices I/O bank 3C only in the <i>Single-Ended I/O Standards Specifications for Intel Stratix 10 Devices</i> table.</li> <li>• Updated the description in the <i>DPA Lock Time Specifications for Intel Stratix 10 Devices</i> table.</li> <li>• Added a note to <math>V_{ICM}</math> (AC coupled) in the <i>E-Tile Receiver Specifications</i> table.</li> <li>• Added specifications for Intel Stratix 10 TX 400 devices and updated specifications for Intel Stratix 10 GX 400, SX 400, GX 1650, GX 2100, SX 1650, and SX 2100 devices in the following tables:               <ul style="list-style-type: none"> <li>— <i>Configuration Bit Stream Sizes for Intel Stratix 10 Devices</i></li> <li>— <i>Maximum Configuration Time Estimation for Intel Stratix 10 Devices (Avalon®-ST)</i></li> <li>— <i>Maximum Configuration Time Estimation for Intel Stratix 10 Devices (AS and SD/MMC)</i></li> </ul> </li> </ul>

**continued...**



Document Version	Changes
2019.12.02	<ul style="list-style-type: none"> <li>• Updated the note to <math>V_{OD}</math> in the <i>Differential I/O Standards Specifications for Intel Stratix 10 Devices</i> table.</li> <li>• Added description on PCIe applications in the <i>Maximum Configuration Time Estimation for Intel Stratix 10 Devices</i> tables.</li> <li>• Added specifications for Intel Stratix 10 DX devices in the following tables:               <ul style="list-style-type: none"> <li>– <i>External Temperature Sensing Diode Specifications for Intel Stratix 10 Devices</i></li> <li>– <i>Configuration Bit Stream Sizes for Intel Stratix 10 Devices</i></li> <li>– <i>Maximum Configuration Time Estimation for Intel Stratix 10 Devices (Avalon-ST)</i></li> <li>– <i>Maximum Configuration Time Estimation for Intel Stratix 10 Devices (AS and SD/MMC)</i></li> <li>– <i>Programmable IOE Delay for Intel Stratix 10 Devices</i></li> </ul> </li> <li>• Updated RESREF specification in the <i>P-Tile Receiver Specifications</i> table.</li> </ul>
2019.09.19	<ul style="list-style-type: none"> <li>• Added Intel Stratix 10 DX as Preliminary in the <i>Datasheet Status for Intel Stratix 10 Devices</i> table.</li> <li>• Updated the definition for the V suffix.</li> <li>• Updated the <i>Absolute Maximum Ratings for Intel Stratix 10 Devices</i> table.               <ul style="list-style-type: none"> <li>– Added E-tile specific power supplies <math>V_{CCRT\_GXE}</math>, <math>V_{CCRTPLL\_GXE}</math>, <math>V_{CCH\_GXE}</math>, and <math>V_{CCCLK\_GXE}</math>.</li> <li>– Added P-tile specific power supplies <math>V_{CCRT\_GXP}</math>, <math>V_{CCFUSE\_GXP}</math>, <math>V_{CCH\_GXP}</math>, and <math>V_{CCCLK\_GXP}</math>.</li> <li>– Updated the description for <math>V_{CCPT}</math>.</li> <li>– Added specifications for the following power rails:                   <ul style="list-style-type: none"> <li>• <math>V_{CCPLLDIG\_SDM}</math></li> <li>• <math>V_{CCPLL\_SDM}</math></li> <li>• <math>V_{CCFUSEWR\_SDM}</math></li> <li>• <math>V_{CCADC}</math></li> <li>• <math>V_{CCIO\_UIB}</math></li> <li>• <math>V_{CCM\_WORD}</math></li> </ul> </li> <li>– Updated the maximum specifications for <math>V_I</math>.</li> </ul> </li> <li>• Updated the <i>Recommended Operating Conditions for Intel Stratix 10 Devices</i> table.               <ul style="list-style-type: none"> <li>– Updated the note on PMBus for <math>V_{CC}</math> and <math>V_{CCP}</math>.</li> <li>– Updated the note for <math>V_{CCBAT}</math>.</li> <li>– Updated the description for <math>V_{CCPT}</math>.</li> <li>– Updated <math>V_{CCIO}</math> specifications.</li> <li>– Added <math>V_{CCIO3V}</math> specifications.</li> <li>– Updated the maximum specifications for <math>V_I</math>.</li> <li>– Updated the note on HBM2 for Intel Stratix 10 MX devices for <math>T_J</math> specification.</li> </ul> </li> <li>• Updated <math>V_{CCL\_HPS}</math> and <math>V_{CCPLLDIG\_HPS}</math> specifications and note for SmartVID in the <i>HPS Power Supply Operating Conditions for Intel Stratix 10 Devices</i> table.</li> <li>• Added description on internal weak pull-down resistor in the <i>Internal Weak Pull-Up Resistor</i> section.</li> <li>• Split M20K block—ROM, all supported widths specifications into single port and dual port in the <i>Memory Block Performance Specifications for Intel Stratix 10 Devices</i> table.</li> </ul>

continued...

Document Version	Changes
	<ul style="list-style-type: none"> <li>• Updated the <i>External Temperature Sensing Diode Specifications for Intel Stratix 10 Devices</i> table.               <ul style="list-style-type: none"> <li>— Added <math>I_{bias}</math> and <math>V_{bias}</math> specifications for E-Tile TSD.</li> <li>— Updated <math>I_{bias}</math> specifications for core fabric, L-Tile, and H-Tile TSD.</li> <li>— Updated series resistance for core fabric, L-Tile, H-Tile, and E-Tile TSD.</li> <li>— Updated diode ideality factor for L-Tile, H-Tile, and E-Tile TSD.</li> </ul> </li> <li>• Updated the minimum data rates for the receiver <math>f_{HSDRDPA}</math> in the <i>High-Speed I/O Specifications for Intel Stratix 10 Devices</i> table.</li> <li>• Removed figure: DPA Lock Time Specifications with DPA PLL Calibration Enabled.</li> <li>• Updated maximum data transition value and added a note in the <i>DPA Lock Time Specifications for Intel Stratix 10 Devices</i> table.</li> <li>• Updated the QDR II SRAM specifications in the <i>Memory Standards Supported by the Soft Memory Controller for Intel Stratix 10 Devices</i> table.</li> <li>• Updated the note in the <i>HBM2 Interface Performance</i> section.</li> <li>• Updated the supported output frequency in the <i>H-Tile ATX PLL Performance</i> table.</li> <li>• Updated the input reference clock frequency (<math>f_{PLL}</math>) and its note in the <i>H-Tile Reference Clock Specification</i> table.</li> <li>• Removed a note from the <i>H-Tile Receiver Specification</i> table.</li> <li>• Added a note for VOCM (DC coupled) in the <i>H-Tile Transmitter Specification</i> table.</li> <li>• Updated <i>E-Tile Transmitter and Receiver Data Rate Performance Specifications</i> table.</li> <li>• Updated the <i>E-Tile Receiver Specifications</i> table.               <ul style="list-style-type: none"> <li>— Added Supported I/O Standards specifications.</li> <li>— Added Absolute <math>V_{MAX}</math> for a receiver pin specifications.</li> <li>— Added Maximum peak-to-peak differential input voltage <math>V_{ID}</math> specifications.</li> <li>— Added <math>V_{ICM}</math>(AC coupled) specifications.</li> <li>— Removed the Electrical Idle detection voltage specifications.</li> </ul> </li> <li>• Added <i>P-Tile Transceiver Performance Specification</i> section.               <ul style="list-style-type: none"> <li>— Added <i>P-Tile Transmitter and Receiver Data Rate Performance</i> table.</li> <li>— Added <i>P-Tile PLLA Performance</i> table.</li> <li>— Added <i>P-Tile PLLB Performance</i> table.</li> <li>— Added <i>P-Tile Reference Clock Specifications</i> table.</li> <li>— Added <i>P-Tile Transmitter Specifications</i> table.</li> <li>— Added <i>P-Tile Receiver Specifications</i> table.</li> </ul> </li> <li>• Removed description in the <i>HPS GPIO Interface</i> section. Statement removed: Any pulses shorter than 2 debounce clock cycles are filtered by the GPIO peripheral.</li> <li>• Updated <math>t_{CF12ST1}</math>, <math>t_{CF02ST0}</math>, <math>t_{ST0}</math>, and <math>t_{CD2UM}</math> in the <i>General Configuration Timing Specifications for Intel Stratix 10 Devices</i> table.</li> <li>• Added a note on P-tile support to the <i>JTAG Timing Parameters and Values for Intel Stratix 10 Devices</i> table.</li> <li>• Updated the <i>AS Timing Parameters for Intel Stratix 10 Devices</i> table.               <ul style="list-style-type: none"> <li>— Added notes to <math>T_{clk}</math>, <math>T_{do}</math>, and <math>T_{ext\_delay}</math>.</li> <li>— Updated the description for <math>T_{do}</math>.</li> <li>— Removed <math>T_{ext\_skew}</math> specifications from the datasheet. This specifications are documented in the <i>Intel Stratix 10 Configuration User Guide</i>.</li> </ul> </li> </ul>

continued...

Document Version	Changes
	<ul style="list-style-type: none"> <li>• Updated the <i>Configuration Bit Stream Sizes for Intel Stratix 10 Devices</i> table. <ul style="list-style-type: none"> <li>– Removed the IOCSR Bit Stream Size (Mbits) specifications.</li> <li>– Removed unsupported Intel Stratix 10 devices: MX 1100, GX 4500, GX 5500, SX 4500, and SX 5500.</li> <li>– Added Intel Stratix 10 devices: TX 850, TX 1100, GX 1660, and GX 2110.</li> <li>– Updated the Compressed Configuration Bit Stream Size specifications.</li> <li>– Added note on quad SPI flash.</li> </ul> </li> <li>• Updated the <i>Maximum Configuration Time Estimation</i> tables. <ul style="list-style-type: none"> <li>– Removed non-critical JTAG configuration mode specifications.</li> <li>– Removed unsupported configuration mode: AS x1</li> <li>– Removed unsupported Intel Stratix 10 devices: MX 1100, GX 4500, GX 5500, SX 4500, and SX 5500.</li> <li>– Added Intel Stratix 10 devices: TX 850, TX 1100, GX 1660, and GX 2110.</li> </ul> </li> <li>• Updated the <i>Programmable IOE Delay for Intel Stratix 10 Devices</i> table. <ul style="list-style-type: none"> <li>– Corrected the speed grade to –E1V.</li> <li>– Updated the specifications for Fast Model and Slow Model.</li> </ul> </li> <li>• Updated definition for <math>V_{IX(AC)}</math> in the <i>Glossary</i>.</li> <li>• Added description to the following tables to state that the data in the table is preliminary. <ul style="list-style-type: none"> <li>– <i>H-Tile Transmitter Specifications</i></li> <li>– <i>General Configuration Timing Specifications for Intel Stratix 10 Devices</i></li> <li>– <i>Maximum Configuration Time Estimation for Intel Stratix 10 Devices (Avalon-ST)</i></li> <li>– <i>Maximum Configuration Time Estimation for Intel Stratix 10 Devices (AS and SD/MMC)</i></li> </ul> </li> </ul>
2019.02.25	<ul style="list-style-type: none"> <li>• Changed the variants datasheet status from Preliminary to Final in the <i>Datasheet Status for Intel Stratix 10 Devices</i> table.</li> </ul>
2019.02.05	<ul style="list-style-type: none"> <li>• Updated the maximum specifications for <math>V_I</math> (for 3 V I/O) from 3.6 V to 3.8 V.</li> <li>• Added the LVPECL DC electrical characteristics table for the E-Tile transceiver reference clock.</li> <li>• Added the electrical and jitter requirements table for the E-Tile transceiver reference clock.</li> <li>• Merged the minimum, typical and maximum specifications for the E-Tile transmitter common mode voltage into one specification.</li> <li>• Updated the NRZ data rate for the E-Tile transceivers.</li> <li>• Added the performance specifications for the HBM2 interface in the Intel Stratix 10 MX devices.</li> <li>• Updated the temperature specifications for the HBM2 interface in Intel Stratix 10 devices.</li> <li>• Updated the Intel Quartus Prime Assignment Names in the <i>Programmable IOE Delay for Intel Stratix 10 Devices</i> table.</li> </ul>
<b>continued...</b>	

Document Version	Changes
2018.10.25	<ul style="list-style-type: none"> <li>• Updated the description for the X suffix.</li> <li>• Removed the description on VREFP_ADC and VREFN_ADC I/O pins in the <i>Maximum Allowed Overshoot During Transitions for Intel Stratix 10 Devices (for LVDS I/O)</i> table.</li> <li>• Updated the <i>Recommended Operating Conditions for Intel Stratix 10 Devices</i> table.               <ul style="list-style-type: none"> <li>— Updated the V<sub>CC</sub> and V<sub>CCP</sub> specifications for -3X speed grade.</li> <li>— Removed Pulse-Width Modulation (PWM) from the note to V<sub>CC</sub> and V<sub>CCP</sub> for SmartVID devices.</li> <li>— Updated the note to V<sub>CCBAT</sub>.</li> <li>— Removed the V<sub>REFP_ADC</sub> specifications.</li> </ul> </li> <li>• Changed the minimum and maximum values for V<sub>CCH_GXB[L,R]</sub> in the "Transceiver Power Supply Operating Conditions for Intel Stratix 10 GX/SX L-Tile Devices in a Non-Bonded Configuration" table.</li> <li>• Changed the minimum and maximum values for V<sub>CCH_GXB[L,R]</sub> in the "Transceiver Power Supply Operating Conditions for Intel Stratix 10 GX/SX L-Tile Devices in a Bonded Configuration" table.</li> <li>• Changed the minimum and maximum values for V<sub>CCH_GXB[L,R]</sub> in the "Transceiver Power Supply Operating Conditions for Intel Stratix 10 GX/SX H-Tile Devices in a Bonded Configuration" table.</li> <li>• Changed the minimum and maximum values for V<sub>CCH_GXB[L,R]</sub> in the "Transceiver Power Supply Operating Conditions for Intel Stratix 10 GX/SX H-Tile Devices in a Bonded Configuration" table.</li> <li>• Updated the footnote specifying pll_powerdown minimum assertion cycles in the "Transceiver Performance for Intel Stratix 10 GX/SX L-Tile Devices" section.</li> <li>• Added a noise mask specification column and updated the symbol names in the "Transceiver Power Supply Operating Conditions for Intel Stratix 10 TX/MX E-Tile Devices" table.</li> <li>• Added a note about TX jitter specifications for the SerialLite III protocol in the "Transceiver Performance for Intel Stratix 10 GX/SX L-Tile Devices" section.</li> <li>• Removed the Transmitter REFCLK Phase Jitter (100 MHz) specification from the "L-Tile Reference Clock Specifications" table.</li> <li>• Added a note about PCI Express reference clock phase jitter specifications to the "Transceiver Specifications for Intel Stratix 10 GX/SX L-Tile Devices" section</li> <li>• Changed the GXT channel specification for chip-to-chip, -3 speed grade devices in the "Intel Stratix 10 GX/SX H-Tile Transmitter and Receiver Datarate Performance" table.</li> <li>• Added a note about TX jitter specifications for the SerialLite III protocol in the "Transceiver Performance for Intel Stratix 10 GX/SX H-Tile Devices" section.</li> <li>• Removed the Transmitter REFCLK Phase Jitter (100 MHz) specification from the "H-Tile Reference Clock Specifications" table.</li> <li>• Added a note about PCI Express reference clock phase jitter specifications to the "Transceiver Specifications for Intel Stratix 10 GX/SX H-Tile Devices" section</li> <li>• Removed PWM from the note to V<sub>CCL_HPS</sub> and V<sub>CCPLLDIG_HPS</sub> for SmartVID devices in the <i>HPS Power Supply Operating Conditions for Intel Stratix 10 Devices</i> table.</li> <li>• Updated the <i>I/O PLL Specifications for Intel Stratix 10 Devices</i> table.               <ul style="list-style-type: none"> <li>— Updated the maximum f<sub>VCO</sub> specifications for -3 speed grade.</li> <li>— Updated the description for t<sub>CASC_OUTPJ_DC</sub>.</li> </ul> </li> <li>• Added series resistance and diode ideality factor parameters for E-Tile TSD in the <i>External Temperature Sensing Diode Specifications for Intel Stratix 10 Devices</i> table.</li> </ul>

**continued...**

Document Version	Changes
	<ul style="list-style-type: none"> <li>• Added a note on half rate support for DDR3 SDRAM in the <i>Memory Standards Supported by the Hard Memory Controller for Intel Stratix 10 Devices</i> table.</li> <li>• Updated the <i>Memory Standards Supported by the Soft Memory Controller for Intel Stratix 10 Devices</i> table. <ul style="list-style-type: none"> <li>– Added a note to RDRAM 3</li> <li>– Updated QDR IV SRAM specification</li> <li>– Added a note on full rate support for QDR II SRAM</li> </ul> </li> <li>• Removed the <i>DQS Phase Shift Error Specifications for DLL-Delayed Clock (<math>t_{DQS\_PSERR}</math>) for Intel Stratix 10 Devices</i> table.</li> <li>• Updated the description in the <i>Memory Output Clock Jitter Specifications</i> section.</li> <li>• Updated the <i>Maximum HPS Clock Frequencies for Intel Stratix 10 Devices</i> table. <ul style="list-style-type: none"> <li>– Updated the MPU frequency for <math>V_{CCL\_HPS} = 0.94</math> V.</li> <li>– Added note to L3 Interconnect Frequency for <math>V_{CCL\_HPS} = 0.94</math> V for -E1V, -I1V, -E2L, -I2L, -E3X, and -I3X.</li> </ul> </li> <li>• Updated the specifications in the <i>HPS Internal Oscillator Frequency for Intel Stratix 10 Devices</i> table.</li> <li>• Updated the specifications for <math>T_{spi\_ref\_clk}</math>, <math>T_{dssfrst}</math>, and <math>T_{dsslst}</math> in the <i>SPI Master Timing Requirements for Intel Stratix 10 Devices</i> table.</li> <li>• Updated the specifications for <math>T_{spi\_ref\_clk}</math> and <math>T_h</math> in the <i>SPI Slave Timing Requirements for Intel Stratix 10 Devices</i> table.</li> <li>• Updated the <i>HPS Secure Digital (SD)/MultiMediaCard (MMC) Timing Requirements for Intel Stratix 10 Devices</i> table. <ul style="list-style-type: none"> <li>– Updated the description for <math>T_{sdmmc\_clk}</math>.</li> <li>– Removed the note to the minimum and maximum specifications for <math>T_d</math>.</li> <li>– Updated the reference clock in the note for <math>T_d</math> and <math>T_{su}</math>.</li> </ul> </li> <li>• Updated <math>T_{clk}</math> specifications in the following tables: <ul style="list-style-type: none"> <li>– <i>Reduced Gigabit Media Independent Interface (RGMI) TX Timing Requirements for Intel Stratix 10 Devices</i></li> <li>– <i>RGMI RX Timing Requirements for Intel Stratix 10 Devices</i></li> <li>– <i>Reduced Media Independent Interface (RMII) Clock Timing Requirements for Intel Stratix 10 Devices</i></li> <li>– <i>Management Data Input/Output (MDIO) Timing Requirements for Intel Stratix 10 Devices</i></li> </ul> </li> <li>• Updated <math>T_d</math> specification in the <i>Management Data Input/Output (MDIO) Timing Requirements for Intel Stratix 10 Devices</i> table.</li> <li>• Updated the title for the following diagrams: <ul style="list-style-type: none"> <li>– <i>RGMI TX and RMII TX Timing Diagram</i></li> <li>– <i>RGMI RX and RMII RX Timing Diagram</i></li> </ul> </li> <li>• Removed <math>t_{CF02ST0}</math> specifications for Device Security Feature (Zeroization) ON in the <i>General Configuration Timing Specifications for Intel Stratix 10 Devices</i> table.</li> <li>• Updated <math>t_{JCP}</math> specification in the <i>JTAG Timing Parameters and Values for Intel Stratix 10 Devices</i> table.</li> <li>• Added <math>T_{ext\_skew}</math> specifications in the <i>AS Timing Parameters for Intel Stratix 10 Devices</i> table.</li> <li>• Updated the <i>Avalon-ST Configuration Timing Diagram</i>.</li> </ul>

**continued...**

Document Version	Changes
	<ul style="list-style-type: none"> <li>• Mentioned that the SD/MMC configuration scheme will be available in a future release of the Intel Quartus Prime software. <i>SD/MMC Timing Parameters for Intel Stratix 10 Devices</i> table.</li> <li>• Updated the <i>Maximum Configuration Time Estimation</i> section.               <ul style="list-style-type: none"> <li>— Clarify the maximum configuration time.</li> <li>— Updated the note to AVST ×8, AVST ×16, and AVST ×32.</li> </ul> </li> <li>• Removed Preliminary tags for all table. Refer to the <i>Data Status for Intel Stratix 10 Devices</i> table for the data status for each variant.</li> </ul>
2018.07.13	Corrected the typical values for $V_{CC}$ and $V_{CCP}$ in the <i>Recommended Operating Conditions for Intel Stratix 10 Devices</i> table.
2018.07.12	<p>Made the following changes:</p> <ul style="list-style-type: none"> <li>• Updated the <i>Absolute Maximum Ratings for Intel Stratix 10 Devices</i> table.               <ul style="list-style-type: none"> <li>— Updated the maximum values for <math>V_{CCIO}</math> (for LVDS I/O), <math>V_{CCIO\_HPS}</math>, and <math>V_{CCIO\_SDM}</math> from 2.46 V to 2.19 V.</li> <li>— Updated the maximum value for <math>V_I</math> (for LVDS I/O) from 2.5 V to 2.19 V.</li> <li>— Updated the <math>I_{OUT}</math> specifications.</li> </ul> </li> <li>• Updated the <i>Maximum Allowed Overshoot and Undershoot Voltage</i> section.               <ul style="list-style-type: none"> <li>— Updated the overshoot and undershoot values in the description.</li> <li>— Updated the specifications in the <i>Maximum Allowed Overshoot During Transitions for Intel Stratix 10 Devices (for LVDS I/O)</i> and <i>Maximum Allowed Overshoot During Transitions for Intel Stratix 10 Devices (for LVDS I/O)</i> tables.</li> <li>— Updated the voltages in the <i>Intel Stratix 10 Devices Overshoot Duration</i> diagram.</li> </ul> </li> <li>• Added a footnote to 1.03 V typical voltage in the "Transceiver Power Supply Operating Conditions for Intel Stratix 10 GX/SX L-Tile Devices in a Non-Bonded Configuration" table.</li> <li>• Added a footnote to 1.03 V typical voltage in the "Transceiver Power Supply Operating Conditions for Intel Stratix 10 GX/SX L-Tile Devices in a Bonded Configuration" table.</li> <li>• Added a footnote to 1.03 V typical voltage in the "Transceiver Power Supply Operating Conditions for Intel Stratix 10 H-Tile Devices in a Non-Bonded Configuration" table.</li> <li>• Added a footnote to 1.03 V typical voltage in the "Transceiver Power Supply Operating Conditions for Intel Stratix 10 H-Tile Devices in a Bonded Configuration" table.</li> <li>• Changed the minimum and maximum voltage for <math>V_{CCT\_GXB}</math> and <math>V_{CCR\_GXB}</math> in the "Transceiver Power Supply Operating Conditions for Intel Stratix 10 GX/SX L-Tile Devices in a Non-Bonded Configuration" table.</li> <li>• Changed the minimum and maximum voltage for <math>V_{CCT\_GXB}</math> and <math>V_{CCR\_GXB}</math> in the "Transceiver Power Supply Operating Conditions for Intel Stratix 10 GX/SX L-Tile Devices in a Bonded Configuration" table.</li> <li>• Changed the minimum and maximum voltage for <math>V_{CCT\_GXB}</math> and <math>V_{CCR\_GXB}</math> in the "Transceiver Power Supply Operating Conditions for Intel Stratix 10 GX/SX H-Tile Devices in a Non-Bonded Configuration" table.</li> <li>• Changed the minimum and maximum voltage for <math>V_{CCT\_GXB}</math> and <math>V_{CCR\_GXB}</math> in the "Transceiver Power Supply Operating Conditions for Intel Stratix 10 GX/SX H-Tile Devices in a Bonded Configuration" table.</li> <li>• Updated <math>V_{CC}</math>, <math>V_{CCP}</math>, <math>V_{CCBAT}</math>, <math>V_{CCIO}</math>, <math>V_{CCM\_WORD}</math>, and <math>V_I</math> specifications in the <i>Recommended Operating Conditions for Intel Stratix 10 Devices</i> table.</li> <li>• Updated <math>V_{CCL\_HPS}</math> and <math>V_{CCPLLDIG\_HPS}</math> specifications in the <i>HPS Power Supply Operating Conditions for Intel Stratix 10 Devices</i> table.</li> <li>• Updated the <i>OCT Without Calibration Resistance Tolerance Specifications for Intel Stratix 10 Devices</i> table.</li> <li>• Removed <i>Equation for OCT Variation Without Recalibration</i>.</li> </ul>

continued...

Document Version	Changes
	<ul style="list-style-type: none"> <li>• Added pin capacitance specifications.</li> <li>• Added the resistance tolerance for <math>R_{PU}</math> in the <i>Internal Weak Pull-Up Resistor Values for Intel Stratix 10 Devices</i> table.</li> <li>• Updated the <math>V_{CCIO}</math> specifications for POD12 in the <i>Single-Ended SSTL, HSTL, and HSUL I/O Reference Voltage Specifications for Intel Stratix 10 Devices</i> table.</li> <li>• Removed the <math>V_{OL}</math> and <math>V_{OH}</math> specifications for POD12 in the <i>Single-Ended SSTL, HSTL, and HSUL I/O Standards Signal Specifications for Intel Stratix 10 Devices</i> table.</li> <li>• Updated <math>V_{SWING(DC)}</math> specification for SSTL-12 in the <i>Differential SSTL I/O Standards Specifications for Intel Stratix 10 Devices</i> table.</li> <li>• Corrected <math>V_{X(AC)}</math> to <math>V_{IX(AC)}</math> in the <i>Differential SSTL I/O Standards Specifications for Intel Stratix 10 Devices</i> and <i>Glossary</i> tables.</li> <li>• Updated the minimum and maximum values for <math>V_{CCH\_GXB[L,R]}</math> in the "Transceiver Power Supply Operating Conditions for Intel Stratix 10 GX/SX L-Tile Devices in a Non-Bonded Configuration" table.</li> <li>• Updated the minimum and maximum values for <math>V_{CCH\_GXB[L,R]}</math> in the "Transceiver Power Supply Operating Conditions for Intel Stratix 10 GX/SX L-Tile Devices in a Bonded Configuration" table.</li> <li>• Updated the minimum and maximum values for <math>V_{CCH\_GXB[L,R]}</math> in the "Transceiver Power Supply Operating Conditions for Intel Stratix 10 H-Tile Devices in a Non-Bonded Configuration" table.</li> <li>• Updated the minimum and maximum values for <math>V_{CCH\_GXB[L,R]}</math> in the "Transceiver Power Supply Operating Conditions for Intel Stratix 10 H-Tile Devices in a Bonded Configuration" table.</li> <li>• Changed the minimum, typical, and maximum values for <math>V_{CCT\_GXB[L,R]}</math> and <math>V_{CCR\_GXB[L,R]}</math> for datarates &gt; 17.4 Gbps to 28.3 Gbps in the "Transceiver Power Supply Operating Conditions for Intel Stratix 10 H-Tile Devices in a Bonded Configuration" table.</li> <li>• Changed the footnote for the minimum value of the Input Reference Clock Frequency (fPLL PLL) symbol in the "L-Tile Reference Clock Specifications" table.</li> <li>• Changed the minimum and maximum frequencies and added a Modes column to the "L-Tile Fractional PLL Performance" table.</li> <li>• Changed the minimum and maximum frequencies and added a Modes column to the "H-Tile Fractional PLL Performance" table.</li> <li>• Changed the minimum supported output frequency in the "L-Tile CMU PLL Performance" table.</li> <li>• Added a footnote to the Transmitter <math>REFCLK</math> Phase Jitter (100 MHz) specification in the "L-Tile Reference Clock Specifications" table.</li> <li>• Added a footnote to the Transmitter <math>REFCLK</math> Phase Noise (800 MHz) specification in the "H-Tile Reference Clock Specifications" table.</li> <li>• Removed the DC coupling description from the <math>V_{ICM}</math> symbol in the "L-Tile Receiver Specifications" table.</li> <li>• Added a footnote to the <math>V_{OD}</math> Setting column in the "L-Tile Typical Transmitter <math>V_{OD}</math> Settings" table.</li> <li>• Added a footnote to the GXT channels for transceiver speed grade -1 in the "Intel Stratix 10 GX/SX H-Tile Transmitter and Receiver Datarate Performance" table.</li> <li>• Changed the footnote for the minimum value of the Input Reference Clock Frequency (fPLL PLL) symbol in the "H-Tile Reference Clock Specifications" table.</li> <li>• Changed the maximum voltage for the <math>V_{ID}</math> (before device configuration) parameter in the "H-Tile Receiver Specifications" table.</li> <li>• Removed DC coupling support from the <math>V_{ICM}</math> parameter in the "H-Tile Receiver Specifications" table.</li> <li>• Added a footnote to the <math>V_{OD}</math> Setting column in the "H-Tile Typical Transmitter <math>V_{OD}</math> Settings" table.</li> <li>• Changed the <math>V_{ICM}</math> (AC Coupled) typical value in the "H-Tile Reference Clock Specifications" table.</li> <li>• Updated the programmable clock routing specification for -1 speed grade in the <i>Clock Tree Performance for Intel Stratix 10 Devices</i> table.</li> </ul>

*continued...*

Document Version	Changes
	<ul style="list-style-type: none"> <li>• Updated the <i>Fractional PLL Specifications for Intel Stratix 10 Devices</i> table.               <ul style="list-style-type: none"> <li>— Updated <math>f_{VCO}</math> specifications.</li> <li>— Removed <math>t_{PLL\_PSERR}</math> specifications.</li> </ul> </li> <li>• Updated the <i>Memory Block Performance Specifications for Intel Stratix 10 Devices</i> table.               <ul style="list-style-type: none"> <li>— Added the specifications for the "Simple dual-port with ECC and optional pipeline registers enabled, with the read-during-write option set to <b>Old Data</b>, 512 × 32" mode in the M20K block.</li> <li>— Updated the specifications for eSRAM.</li> </ul> </li> <li>• Updated specifications in the <i>External Temperature Sensing Diode Specifications for Intel Stratix 10 Devices</i> table.</li> <li>• Updated the <i>Internal Voltage Sensor Specifications for Intel Stratix 10 Devices</i> table.</li> <li>• Removed the note on pending silicon characterization in the <i>High-Speed I/O Specifications for Intel Stratix 10 Devices</i> table.</li> <li>• Added the following tables:               <ul style="list-style-type: none"> <li>— <i>Memory Standards Supported by the Hard Memory Controller for Intel Stratix 10 Devices</i></li> <li>— <i>Memory Standards Supported by the Soft Memory Controller for Intel Stratix 10 Devices</i></li> <li>— <i>Memory Standards Supported by the HPS Hard Memory Controller for Intel Stratix 10 Devices</i></li> </ul> </li> <li>• Removed the note to the DLL reference clock input specification in the <i>DLL Frequency Range Specifications for Intel Stratix 10 Devices</i> table.</li> <li>• Removed the <i>Memory Output Clock Jitter Specifications for Intel Stratix 10 Devices</i> table. Stated that the clock jitter is within the JEDEC specifications.</li> <li>• Updated <math>T_{RS\_RT}</math> specification in the <i>OCT Calibration Block Specifications for Intel Stratix 10 Devices</i> table.</li> <li>• Updated the note to SDRAM interconnect frequency in the <i>Maximum HPS Clock Frequencies for Intel Stratix 10 Devices</i> table.</li> <li>• Added HPS Internal Oscillator Frequency specifications.</li> <li>• Updated the minimum specification for clock input accuracy in the <i>HPS PLL Input Requirements for Intel Stratix 10 Devices</i> table.</li> <li>• Updated the minimum specifications for <math>T_d</math>, <math>T_{su}</math>, and <math>T_h</math> in the <i>HPS USB 2.0 Transceiver Macrocell Interface Plus (UTMI+) Low Pin Interface (ULPI) Timing Requirements for Intel Stratix 10 Devices</i> table.</li> <li>• Updated specifications in the <i>HPS Programmable I/O Delay for Intel Stratix 10 Device</i> table.</li> <li>• Removed Preliminary tags for the following tables:               <ul style="list-style-type: none"> <li>— <i>HPS PLL Input Requirements for Intel Stratix 10 Devices</i></li> <li>— <i>HPS PLL Performance for Intel Stratix 10 Devices</i></li> <li>— <i>HPS Secure Digital (SD)/MultiMediaCard (MMC) Timing Requirements for Intel Stratix 10 Devices</i></li> <li>— <i>HPS USB 2.0 Transceiver Macrocell Interface Plus (UTMI+) Low Pin Interface (ULPI) Timing Requirements for Intel Stratix 10 Devices</i></li> <li>— <i>HPS I<sup>2</sup>C Timing Requirements for Intel Stratix 10 Devices</i></li> <li>— <i>HPS NAND ONFI 1.0 Timing Requirements for Intel Stratix 10 Devices</i></li> <li>— <i>HPS GPIO Interface</i></li> <li>— <i>HPS JTAG Timing Requirements for Intel Stratix 10 Devices</i></li> <li>— <i>HPS Programmable I/O Delay for Intel Stratix 10 Device</i></li> </ul> </li> </ul>

continued...



Document Version	Changes
	<ul style="list-style-type: none"> <li>• Removed information on NAND configuration mode.                             <ul style="list-style-type: none"> <li>— Removed NAND mode in the <i>POR Delay Specification for Intel Stratix 10 Devices</i> table.</li> <li>— Removed the <i>NAND Configuration Timing</i> section.</li> <li>— Removed the maximum configuration time estimation for NAND mode.</li> </ul> </li> <li>• Updated the note to clock input frequency in the <i>External Configuration Clock Source (OSC_CLK_1) Clock Input Requirements</i> table.</li> <li>• Added description in the <i>SD/MMC Timing Parameters for Intel Stratix 10 Devices</i> table.</li> <li>• Removed the statement stating that the maximum configuration time does not exceed 2× of the minimum configuration time in the <i>Maximum Configuration Time Estimation</i> section.</li> <li>• Updated the <i>I/O Timing</i> section on the I/O timing information generation guidelines.</li> <li>• Updated the specifications for fast and slow models in the <i>Programmable IOE Delay for Intel Stratix 10 Devices</i> table.</li> <li>• Finalized the data for the Intel Stratix 10 GX variant (L-Tile).</li> <li>• Changed the input reference clock frequency (CMU PLL) minimum specification in the "L-Tile Reference Clock Specifications" table.</li> <li>• Changed the input reference clock frequency (CMU PLL) minimum specification in the "H-Tile Reference Clock Specifications" table.</li> </ul>
2018.04.06	<p>Made the following changes:</p> <ul style="list-style-type: none"> <li>• Added notes to I<sub>OUT</sub> specification in the <i>Absolute Maximum Ratings for Intel Stratix 10 Devices</i> table.</li> <li>• Updated the <i>AS Timing Parameters for Intel Stratix 10 Devices</i> table.                             <ul style="list-style-type: none"> <li>— Updated the specifications for T<sub>clk</sub>, T<sub>dcsfrs</sub>, T<sub>dcslst</sub>, and T<sub>do</sub>.</li> <li>— Removed the T<sub>ext_skew</sub> specifications.</li> <li>— Updated the description on trace length matching and skew tolerance.</li> <li>— Updated the note for T<sub>ext_delay</sub>.</li> </ul> </li> <li>• Removed footnote to sampling rate in the <i>Internal Voltage Sensor Specifications for Intel Stratix 10 Devices</i> table.</li> <li>• Updated the specifications for t<sub>SDCLKP</sub>, t<sub>SU</sub>, and t<sub>H</sub> in the <i>SD/MMC Timing Parameters for Intel Stratix 10 Devices</i> table.</li> <li>• Updated the compressed configuration bit stream sizes in the <i>Configuration Bit Stream Sizes</i> table.</li> <li>• Updated the <i>Maximum Configuration Time Estimation for Intel Stratix 10 Devices</i> tables.                             <ul style="list-style-type: none"> <li>— Changed the table title from "Minimum Configuration Time Estimation" to "Maximum Configuration Time Estimation".</li> <li>— Updated the specifications.</li> </ul> </li> </ul>
2017.12.15	<p>Made the following changes:</p> <ul style="list-style-type: none"> <li>• Added the <i>Transceiver Power Supply Operating Conditions for Intel Stratix 10 GX/SX L-Tile Devices in a Non-Bonded Configuration</i> table.</li> <li>• Added the <i>Transceiver Power Supply Operating Conditions for Intel Stratix 10 GX/SX L-Tile Devices in a Bonded Configuration</i> table.</li> <li>• Added the <i>Transceiver Power Supply Operating Conditions for Intel Stratix 10 H-Tile Devices in a Non-Bonded Configuration</i> table.</li> <li>• Added the <i>Transceiver Power Supply Operating Conditions for Intel Stratix 10 H-Tile Devices in a Bonded Configuration</i> table.</li> <li>• Removed the <i>Transceiver Power Supply Operating Conditions for Intel Stratix 10 GX/SX L- and H-Tile Devices</i> table.</li> <li>• Removed the <i>L-Tile Transmitter and Receiver Data Rate Performance, VCCR_GXB and VCCT_GXB Specifications</i> table.</li> <li>• Added the <i>Intel Stratix 10 GX/SX L-Tile Transmitter and Receiver Datarate Performance</i> table.</li> <li>• Added the <i>Intel Stratix 10 GX/SX H-Tile Transmitter and Receiver Datarate Performance</i> table.</li> </ul>

continued...

Document Version	Changes
	<ul style="list-style-type: none"> <li>• Removed the <i>H-Tile Transmitter and Receiver Data Rate Performance, VCCR_GXB and VCCT_GXB Specifications</i> table</li> <li>• Added note to the <i>Maximum</i> column in the <i>Transceiver Power Supply Operating Conditions for Intel Stratix 10 GX/SX L- and H-Tile Devices—Preliminary</i> table.</li> <li>• Removed the Minimum differential eye opening at receiver serial input pins specification from the "L-Tile Receiver Specifications" table.</li> <li>• Updated <i>Absolute Maximum Ratings for Intel Stratix 10 Devices</i> table.             <ul style="list-style-type: none"> <li>— Updated <math>T_{STG}</math> minimum specifications from <math>-65^{\circ}\text{C}</math> to <math>-55^{\circ}\text{C}</math>.</li> <li>— Added <math>V_I</math> specifications.</li> </ul> </li> <li>• Added -2 transceiver speed grade, the <math>t_{ARESET}</math>, and the <math>t_{LOCK}</math> specification to the "L-Tile ATX PLL Performance" table.</li> <li>• Added the <math>t_{ARESET}</math> and <math>t_{LOCK}</math> specifications to the "L-Tile Fractional PLL Performance" table.</li> <li>• Added the <math>t_{ARESET}</math> and <math>t_{LOCK}</math> specifications to the "L-Tile CMU PLL Performance" table.</li> <li>• Changed the Channel Span definition in the "L-Tile Transceiver Clock Network Maximum Data Rate Specifications" table.</li> <li>• Removed the VOCM (DC coupled) specification from the "L-Tile Transmitter Specifications" table.</li> <li>• Added the xN clock mode to the "L-Tile Transmitter Channel-to-channel Skew Specifications" table.</li> <li>• Added the xN clock mode to the "H-Tile Transmitter Channel-to-channel Skew Specifications" table.</li> <li>• Added the <math>t_{LOCK}</math> and <math>t_{ARESET}</math> specifications to the "H-Tile ATX PLL Performance" table.</li> <li>• Added the <math>t_{LOCK}</math> and <math>t_{ARESET}</math> specifications to the "H-Tile Fractional PLL Performance" table.</li> <li>• Added the <math>t_{LOCK}</math> and <math>t_{ARESET}</math> specifications to the "H-Tile CMU PLL Performance" table.</li> <li>• Removed the Minimum differential eye opening at receiver serial input pins specification from the "H-Tile Receiver Specifications" table.</li> <li>• Split LVDS I/O and 3 V I/O specifications in <i>Maximum Allowed Overshoot During Transitions for Intel Stratix 10 Devices</i> table into two separate tables. Updated the LVDS I/O specifications.</li> <li>• Added <i>Intel Stratix 10 Devices Overshoot Duration</i> figure and description.</li> <li>• Updated <i>Recommended Operating Conditions for Intel Stratix 10 Devices</i> table.             <ul style="list-style-type: none"> <li>— Updated <math>V_{CCIO\_UIB}</math> specifications.</li> <li>— Updated note to minimum and maximum columns.</li> <li>— Changed the symbol from <math>V_{CCM}</math> to <math>V_{CCM\_WORD}</math>.</li> </ul> </li> <li>• Added specifications for <math>V_{CCIO} = 2.5\text{ V}</math> in the following tables:             <ul style="list-style-type: none"> <li>— <i>Bus Hold Parameters for Intel Stratix 10 Devices</i></li> <li>— <i>Internal Weak Pull-Up Resistor Values for Intel Stratix 10 Devices</i></li> </ul> </li> <li>• Updated specifications in <i>OCT Calibration Accuracy Specifications for Intel Stratix 10 Devices</i> table.</li> <li>• Updated specifications in <i>OCT Without Calibration Resistance Tolerance Specifications for Intel Stratix 10 Devices</i> table.             <ul style="list-style-type: none"> <li>— Added specifications for <math>V_{CCIO} = 3.0, 2.5</math></li> <li>— Updated specifications for <math>V_{CCIO} = 1.8, 1.5, 1.2</math></li> </ul> </li> <li>• Added the following specifications in <i>Single-Ended I/O Standards Specifications for Intel Stratix 10 Devices</i> table.             <ul style="list-style-type: none"> <li>— 2.5 V I/O standard</li> <li>— Schmitt trigger input</li> </ul> </li> <li>• Updated SSTL-125 and SSTL-135 I/O standards in <i>Single-Ended SSTL, HSTL, and HSUL I/O Reference Voltage Specifications for Intel Stratix 10 Devices</i> table.</li> </ul>

**continued...**

Document Version	Changes
	<ul style="list-style-type: none"> <li>• Added specifications for SSTL-12 I/O standard in the following tables: <ul style="list-style-type: none"> <li>– <i>Single-Ended SSTL, HSTL, and HSUL I/O Reference Voltage Specifications for Intel Stratix 10 Devices</i></li> <li>– <i>Single-Ended SSTL, HSTL, and HSUL I/O Standards Signal Specifications for Intel Stratix 10 Devices</i></li> <li>– <i>Differential SSTL I/O Standards Specifications for Intel Stratix 10 Devices</i></li> </ul> </li> <li>• Updated the <i>Fractional PLL Specifications for Intel Stratix 10 Devices</i> table. <ul style="list-style-type: none"> <li>– Updated <math>t_{PLL\_PSERR}</math> specifications.</li> <li>– Updated <math>t_{LOCK}</math> description.</li> <li>– Removed <math>t_{ARESET}</math> specifications.</li> </ul> </li> <li>• Updated <math>t_{OUTDUTY}</math> in the <i>I/O PLL Specifications for Intel Stratix 10 Devices</i> table.</li> <li>• Updated <i>Internal Temperature Sensing Diode Specifications for Intel Stratix 10 Devices</i> table. <ul style="list-style-type: none"> <li>– Added note for temperature range.</li> <li>– Updated conversion time from &lt; 5 ms to &lt; 1 ms.</li> <li>– Removed "Resolution" and "Minimum Resolution with no Missing Codes" specifications.</li> </ul> </li> <li>• Updated <i>High-Speed I/O Specifications for Intel Stratix 10 Devices</i> table. <ul style="list-style-type: none"> <li>– Updated Transmitter—TCCS specifications from 150 ps to 330 ps.</li> <li>– Updated Sampling Window specifications from 300 ps to 330 ps.</li> <li>– Updated SERDES factor J = 3 maximum data rate for transmitter and receiver.</li> </ul> </li> <li>• Updated from 0.35 to 0.28 for the following: <ul style="list-style-type: none"> <li>– <i>LVDS Soft-CDR/DPA Sinusoidal Jitter Tolerance Specifications for a Data Rate Equal to 1.6 Gbps</i></li> <li>– <i>LVDS Soft-CDR/DPA Sinusoidal Jitter Mask Values for a Data Rate Equal to 1.6 Gbps</i></li> </ul> </li> <li>• Updated DLL reference clock input specifications in <i>DLL Frequency Range Specifications for Intel Stratix 10 Devices</i> table.</li> <li>• Updated <math>T_{do}</math> minimum specification from 0 ns to -1 ns in <i>AS Timing Parameters for Intel Stratix 10 Devices</i> table.</li> <li>• Updated minimum specifications for <math>t_H</math> from 0 ns to -1 ns in <i>SD/MMC Timing Parameters for Intel Stratix 10 Devices</i> table.</li> <li>• Updated <i>Configuration Bit Stream Sizes for Intel Stratix 10 Devices</i> table. <ul style="list-style-type: none"> <li>– Added IOCSR bit stream sizes.</li> <li>– Added specifications for Intel Stratix 10 TX and MX devices.</li> </ul> </li> <li>• Updated <i>Minimum Configuration Time Estimation for Intel Stratix 10 Devices</i> tables. <ul style="list-style-type: none"> <li>– Added note to AVST ×8, AVST ×16, and AVST ×32.</li> <li>– Updated specifications for NAND.</li> <li>– Added specifications for Intel Stratix 10 TX and MX devices.</li> </ul> </li> <li>• Added the following tables: <ul style="list-style-type: none"> <li>– <i>External Temperature Sensing Diode Specifications for Intel Stratix 10 Devices</i></li> <li>– <i>General Configuration Timing Specifications for Intel Stratix 10 Devices</i> <ul style="list-style-type: none"> <li>• Moved <math>t_{ST0}</math> specifications from <i>Avalon-ST Timing Parameters for ×8, ×16, and ×32 Configurations in Intel Stratix 10 Devices</i> table.</li> <li>• Moved the specifications from <i>Initialization Time for Intel Stratix 10 Devices</i> table.</li> </ul> </li> <li>– <i>Programmable IOE Delay for Intel Stratix 10 Devices</i></li> </ul> </li> </ul>

continued...

Document Version	Changes
2017.08.04	Made the following changes: <ul style="list-style-type: none"> <li>• Clarified DLL operating frequency range in "DLL Range Specifications"</li> <li>• Clarified reference clock specifications in "HPS SPI Timing Characteristics"</li> </ul>
2017.05.08	Made the following changes: <ul style="list-style-type: none"> <li>• Updated description for <math>V_{CCERAM}</math> in Absolute Maximum Ratings for Intel Stratix 10 Devices table.</li> <li>• Added Maximum Allowed Overshoot During Transitions for Intel Stratix 10 Devices table.</li> <li>• Updated Recommended Operating Conditions for Intel Stratix 10 Devices table.               <ul style="list-style-type: none"> <li>— Updated <math>V_{CC}</math>, <math>V_{CCIO}</math>, and <math>V_{CCBAT}</math> specifications.</li> <li>— Updated symbol from <math>V_{CCPFUSE\_SDM}</math> to <math>V_{CCFUSEWR\_SDM}</math>.</li> <li>— Updated description for <math>V_{CCERAM}</math> and <math>V_{CCIO\_UIB}</math>.</li> <li>— Added <math>V_{CCM}</math> specifications.</li> <li>— Added footnotes to <math>t_{RAMP}</math> and V suffix speed grades.</li> </ul> </li> <li>• Removed table: Temperature Compensation for SmartVID for Intel Stratix 10 Devices. Moved the table to the Intel Stratix 10 Power Management User Guide.</li> <li>• Updated the note in the "Transceiver Power Supply Operating Conditions" section.</li> <li>• Updated HPS Power Supply Operating Conditions for Intel Stratix 10 Devices table.               <ul style="list-style-type: none"> <li>— Updated <math>V_{CCL\_HPS}</math> and <math>V_{CCPLL\_DIG\_HPS}</math> specifications.</li> <li>— Added footnote for SmartVID.</li> </ul> </li> <li>• Updated footnote to <math>I_{OL}</math> and <math>I_{OH}</math> in Single-Ended I/O Standards Specifications for Intel Stratix 10 Devices table.</li> <li>• Updated Differential I/O Standards Specifications for Intel Stratix 10 Devices table.               <ul style="list-style-type: none"> <li>— Changed <math>D_{MAX}</math> to data rate.</li> <li>— Added a note to <math>V_{OD}</math>.</li> </ul> </li> <li>• Updated <math>t_{OUTPJ\_DC}</math> and <math>t_{OUTCCJ\_DC}</math> specifications in I/O PLL Specifications for Intel Stratix 10 Devices.</li> <li>• Changed the units of measure for the minimum frequency in the "L-Tile CMU PLL Performance" table.</li> <li>• Changed the units of measure for the minimum frequency in the "H-Tile CMU PLL Performance" table.</li> <li>• Updated <math>t_{INCCJ}</math> specification for <math>F_{REF} &lt; 100</math> MHz in the following tables:               <ul style="list-style-type: none"> <li>— Fractional PLL Specifications for Intel Stratix 10 Devices</li> <li>— I/O PLL Specifications for Intel Stratix 10 Devices</li> </ul> </li> <li>• Added footnote to the following modes in DSP Block Performance Specifications for Intel Stratix 10 Devices table:               <ul style="list-style-type: none"> <li>— Fixed-point <math>27 \times 27</math> multiplication mode</li> <li>— Fixed-point <math>18 \times 18</math> multiplier adder mode</li> <li>— Fixed-point <math>18 \times 18</math> multiplier adder summed with 36-bit input mode</li> </ul> </li> <li>• Updated soft CDR mode specifications in High-Speed I/O Specifications for Intel Stratix 10 Devices table.</li> <li>• Added POR specifications.</li> <li>• Updated <math>T_{do}</math> maximum specification in AS Timing Parameters for Intel Stratix 10 Devices table.</li> <li>• Updated notes in Avalon-ST Configuration Timing Diagram.</li> </ul>

*continued...*