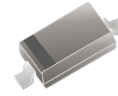


## 1SS355-HF

RoHS Device  
Halogen Free



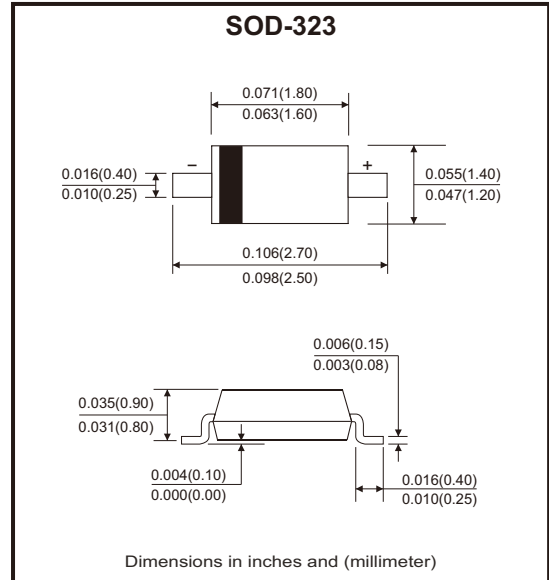
### Features

- Small surface mounting type.
- High speed switching.

### Mechanical data

- Case: SOD-323, molded plastic.
- Terminals: Tin plated leads, solderable per J-STD-002 and JESD22-B102.
- Polarity: Cathode line denotes the cathode end.

### Circuit Diagram



### Maximum Rating (at Ta=25°C unless otherwise noted)

Parameter	Symbol	Value	Unit
Repetitive peak reverse voltage	$V_{RRM}$	90	V
Maximum DC blocking	$V_{DC}$	80	V
Non-repetitive peak forward surge current @ t=8.3ms	$I_{FSM}$	2	A
Average forward current	$I_{FAV}$	150	mA
Power dissipation	$P_{tot}$	200	mW
Maximum junction temperature	$T_J$	-65 to +150	°C
Storage temperature range	$T_{STG}$	-65 to +150	°C

### Electrical Characteristics (at Ta=25°C unless otherwise noted)

Parameter	Symbol	Conditions	Min	Max	Unit
Maximum forward voltage	$V_F$	$I_F = 100mA$		1200	mV
Maximum reverse current	$I_R$	$V_R = 80V$		100	nA
Maximum breakdown voltage	$V_R$	$I_R = 1\mu A$		80	V
Maximum diode capacitance	$C_D$	$V_R = 6V, f = 1MHz$		3	pF
Maximum reverse recovery time	$t_{rr}$	$I_F = 10mA, V_R = 6V$		4	nS

## Typical Rating and Characteristic Curves (1SS355-HF)

Fig.1 -  $V_F$  —  $I_F$

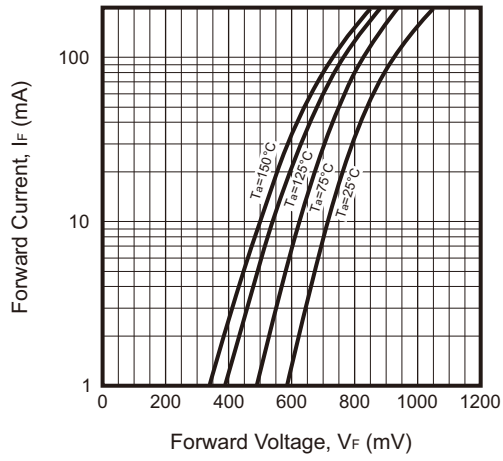


Fig.2 -  $I_R$  —  $V_R$

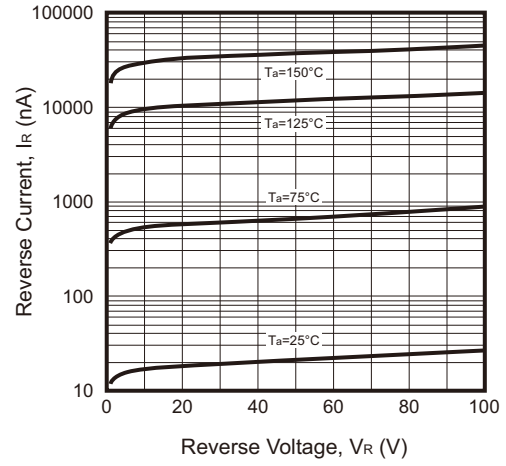


Fig.3 -  $C_J$  —  $V_R$

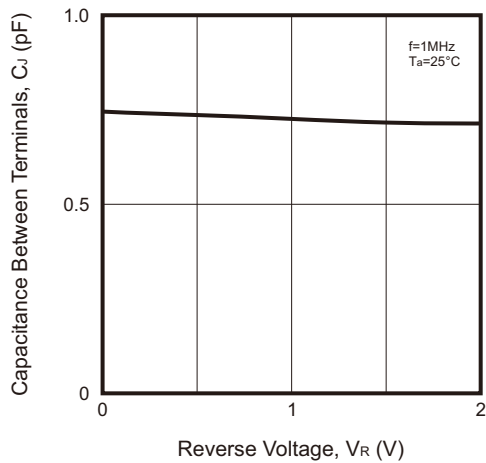
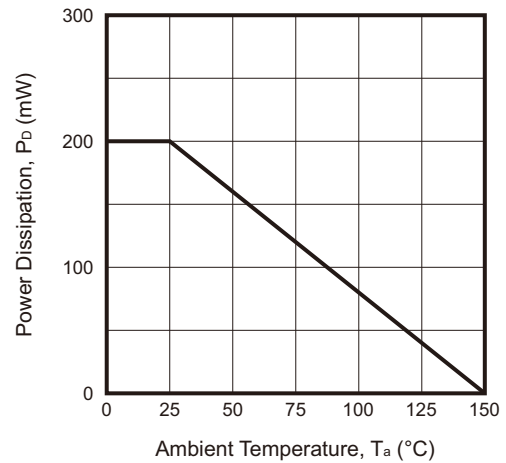
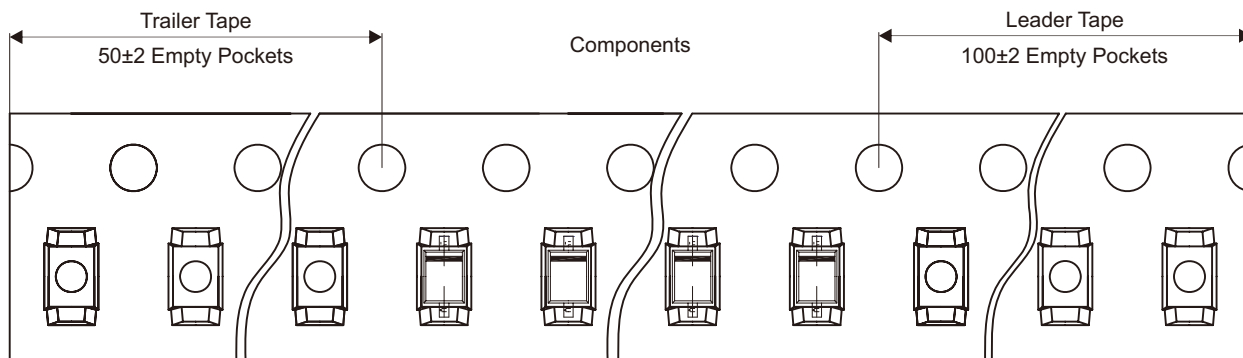
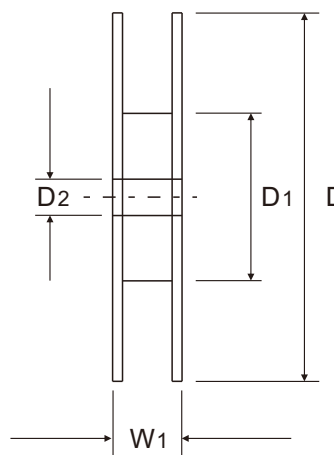
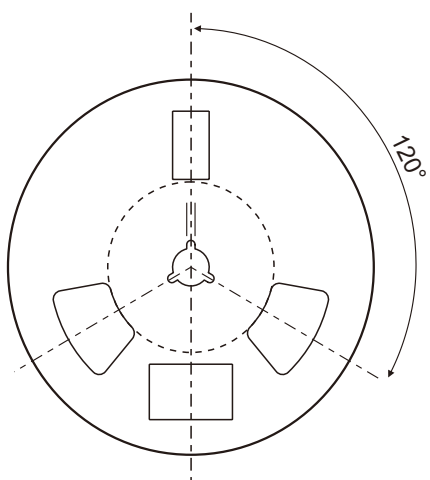
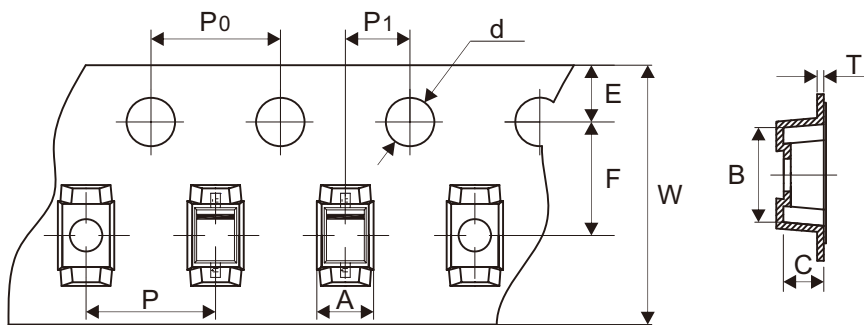


Fig.4 - Power Derating Curve



## Reel Taping Specification



SOD-323	SYMBOL	A	B	C	d	D	D1	D2
	(mm)	1.50 ± 0.05	2.90 ± 0.10	1.25 ± 0.10	1.50 + 0.10 - 0.00	178.00 ± 2.00	54.40 ± 1.00	13.00 ± 1.00
	(inch)	0.059 ± 0.002	0.114 ± 0.004	0.049 ± 0.004	0.059 + 0.004 - 0.000	7.008 ± 0.079	2.142 ± 0.039	0.512 ± 0.039

SOD-323	SYMBOL	E	F	P	P0	P1	T	W	W1
	(mm)	1.75 ± 0.10	3.50 ± 0.05	4.00 ± 0.10	4.00 ± 0.10	2.00 ± 0.05	0.254 ± 0.02	8.00 + 0.30 - 0.10	12.30 ± 1.00
	(inch)	0.069 ± 0.004	0.138 ± 0.002	0.157 ± 0.004	0.157 ± 0.004	0.079 ± 0.002	0.010 ± 0.001	0.315 + 0.012 - 0.004	0.484 ± 0.039