

THIS DRAWING IS UNPUBLISHED. RELEASED FOR PUBLICATION SEP. 2005. LOC J DIST

© COPYRIGHT 2005 By - ALL RIGHTS RESERVED. REVISIONS DESCRIPTION DATE DWN APVD

NOTICE: THIS COMMUNICATION INCLUDES TE CONNECTIVITY CONFIDENTIAL OR PROPRIETARY INFORMATION THAT MAY ALSO BE LEGALLY PRIVILEGED. G REVISED PER ECO-21-008223 21DEC2021 AK SZ

D	AVAILABLE	WITHOUT P/N	Au 0.1um MIN OVER PdNi 0.2um MIN	6.28	-	0.5	10.05	-	-	2.2	1.8	WITHOUT BOSS	EMBOSS PACKING (SEE SHEET 2)	WITHOUT FLANGE TYPE (SEE SHEET 8)	1747981-3 (F7)
	AVAILABLE	WITHOUT P/N	Au 0.76um	16.3	M3 x 0.5	0.5	10.05	10.95	7.98	2.2	1.8	WITHOUT BOSS	EMBOSS PACKING (SEE SHEET 3)	WITH FLANGE TYPE (SEE SHEET 7)	1-1747981-9
	AVAILABLE	WITHOUT P/N	Au 0.1um MIN OVER PdNi 0.2um MIN	6.28	-	0.5	10.55	-	-	1.1	1.1	WITHOUT BOSS	EMBOSS PACKING (SEE SHEET 2)	WITHOUT FLANGE TYPE (SEE SHEET 6)	9-1747981-2
	AVAILABLE	WITH P/N	Au 0.1um MIN OVER PdNi 0.2um MIN	-	M3 x 0.5	1.0	10.55	12.75	10.08	2.2	1.8	WITH BOSS	SOFT TRAY PACKING (SEE SHEET 4)	WITH FLANGE TYPE (SEE SHEET 7)	9-1747981-1
	AVAILABLE	WITHOUT P/N	Au 0.1um MIN OVER PdNi 0.2um MIN	16.3	M3 x 0.5	0.5	10.05	10.95	7.98	2.2	1.8	WITHOUT BOSS	EMBOSS PACKING (SEE SHEET 3)	WITH FLANGE TYPE (SEE SHEET 7)	8-1747981-2 2-1747981-5
	AVAILABLE	WITHOUT P/N	Au 0.1um MIN OVER PdNi 0.2um MIN	-	M3 x 0.5	0.5	10.05	10.95	7.98	2.2	1.8	WITHOUT BOSS	CLEAR TRAY PACKING (SEE SHEET 4)	WITH FLANGE TYPE (SEE SHEET 7)	8-1747981-1
	AVAILABLE	WITHOUT P/N	Au 0.1um MIN OVER PdNi 0.2um MIN	-	M3 x 0.5	1.0	10.55	12.75	10.08	2.2	1.8	WITH BOSS	SOFT TRAY PACKING (SEE SHEET 4)	WITH FLANGE TYPE (SEE SHEET 7)	3-1747981-1
	NOT AVAILABLE	WITHOUT P/N	Au 0.1um MIN OVER PdNi 0.2um MIN	16.3	#4-40 UNC	0.5	10.55	12.75	10.08	2.2	1.8	WITH BOSS	EMBOSS PACKING (SEE SHEET 3)	WITH FLANGE TYPE (SEE SHEET 7)	2-1747981-4
	AVAILABLE	WITHOUT P/N	Au 0.76um MIN	16.3	M3 x 0.5	1.0	10.55	12.75	10.08	2.2	1.8	WITHOUT BOSS	EMBOSS PACKING (SEE SHEET 3)	WITH FLANGE TYPE (SEE SHEET 7)	2-1747981-3
C	NOT AVAILABLE	WITHOUT P/N	Au 0.1um MIN OVER PdNi 0.2um MIN	-	#4-40 UNC	0.5	10.05	12.75	10.08	2.2	1.8	WITHOUT BOSS	HARDTRAY PACKING (-)	WITH FLANGE TYPE (SEE SHEET 7)	2-1747981-2
	AVAILABLE	WITHOUT P/N	Au 0.76um MIN	-	M3 x 0.5	1.0	10.55	12.75	10.08	2.2	1.8	WITHOUT BOSS	SOFT TRAY PACKING (SEE SHEET 4)	WITH FLANGE TYPE (SEE SHEET 7)	2-1747981-1
	AVAILABLE	WITHOUT P/N	Au 0.1um MIN OVER PdNi 0.2um MIN	-	M3 x 0.5	1.0	10.55	12.75	10.08	1.5	1.5	WITHOUT BOSS	SOFT TRAY PACKING (SEE SHEET 4)	WITH FLANGE TYPE (SEE SHEET 7)	1-1747981-8
	AVAILABLE	WITHOUT P/N	Au 0.1um MIN OVER PdNi 0.2um MIN	16.3	M3 x 0.5	1.0	10.55	12.75	10.08	2.2	1.8	WITHOUT BOSS	EMBOSS PACKING (SEE SHEET 3)	WITH FLANGE TYPE (SEE SHEET 7)	1-1747981-7
	AVAILABLE	WITHOUT P/N	Au 0.1um MIN OVER PdNi 0.2um MIN	-	M3 x 0.5	0.5	10.05	10.95	7.98	2.2	1.8	WITHOUT BOSS	SOFT TRAY PACKING (SEE SHEET 5)	WITH FLANGE TYPE (SEE SHEET 7)	1-1747981-6
	AVAILABLE	WITHOUT P/N	Au 0.1um MIN OVER PdNi 0.2um MIN	16.3	M3 x 0.5	0.5	10.05	10.95	7.98	1.5	1.5	WITHOUT BOSS	EMBOSS PACKING (SEE SHEET 3)	WITH FLANGE TYPE (SEE SHEET 7)	1-1747981-5
	AVAILABLE	WITHOUT P/N	Au 0.1um MIN OVER PdNi 0.2um MIN	-	M3 x 0.5	1.0	10.55	12.75	10.08	2.2	1.8	WITHOUT BOSS	SOFT TRAY PACKING (SEE SHEET 4)	WITH FLANGE TYPE (SEE SHEET 7)	1-1747981-4
	AVAILABLE	WITHOUT P/N	Au 0.1um MIN OVER PdNi 0.2um MIN	-	#4-40 UNC	0.5	10.05	12.75	10.08	2.2	1.8	WITHOUT BOSS	SOFT TRAY PACKING (SEE SHEET 4)	WITH FLANGE TYPE (SEE SHEET 7)	1-1747981-3
B	AVAILABLE	WITHOUT P/N	Au 0.1um MIN OVER PdNi 0.2um MIN	-	M3 x 0.5	0.5	10.05	10.95	7.98	1.5	1.5	WITHOUT BOSS	SOFT TRAY PACKING (SEE SHEET 4)	WITH FLANGE TYPE (SEE SHEET 7)	1-1747981-2
	AVAILABLE	WITHOUT P/N	Au 0.1um MIN OVER PdNi 0.2um MIN	-	M3 x 0.5	0.5	10.05	10.95	7.98	2.2	1.8	WITHOUT BOSS	SOFT TRAY PACKING (SEE SHEET 4)	WITH FLANGE TYPE (SEE SHEET 7)	1-1747981-1
	AVAILABLE	WITHOUT P/N	Au 0.1um MIN OVER PdNi 0.2um MIN	6.28	-	0.5	10.05	-	-	1.5	1.5	WITHOUT BOSS	EMBOSS PACKING (SEE SHEET 2)	WITHOUT FLANGE TYPE (SEE SHEET 6)	1747981-2
	AVAILABLE	WITHOUT P/N	Au 0.1um MIN OVER PdNi 0.2um MIN	6.28	-	0.5	10.05	-	-	2.2	1.8	WITHOUT BOSS	EMBOSS PACKING (SEE SHEET 2)	WITHOUT FLANGE TYPE (SEE SHEET 6)	1747981-1
	AVAILABLE	WITHOUT P/N	Au 0.76um MIN	6.28	-	0.5	10.05	-	-	2.2	1.8	WITHOUT BOSS	EMBOSS PACKING (SEE SHEET 2)	WITHOUT FLANGE TYPE (SEE SHEET 6)	3-1747981-2

TOOL STATUS	PART NUMBER MARKING	CONTACT AREA PLATING SPEC	DIM H	SCREW SIZE DIM G	DIM F	DIM E	DIM D	DIM C	DIM B	DIM A	BOSS	PACKING	CONNECTOR TYPE	PART NUMBER
<p>1 CONTACT COPLANALITY IS 0.1 MAXIMUM. REFER TO THE TABLE FOR BOSS.</p> <p>THIS DIMENSION MEANS CENTER OF THE POCKET. SCREW SIZE</p> <p>FINISH PART NUMBER MAKING</p>														
<p>CONTACT: CONTACT AREA J: SEE TABLE</p> <p>2µm MIN Sn PLATING ON SOLDERING AREA</p> <p>2µm MIN Ni UNDER PLATING ALL OVER</p> <p>SHELL: 1µm MIN Sn PLATING ALL OVER</p> <p>1µm MIN Ni UNDER PLATING ALL OVER</p>														
<p>THIS DRAWING IS A CONTROLLED DOCUMENT.</p> <p>DWN Y. HIRATA 15SEP2005</p> <p>CHK T. KIMURA 15SEP2005</p> <p>APVD K. IKEGAMI 15SEP2005</p> <p>PRODUCT SPEC 108-78180-1</p> <p>APPLICATION SPEC</p> <p>MATERIAL FINISH</p> <p>WEIGHT</p> <p>CUSTOMER DRAWING</p>														
<p>TE Connectivity</p> <p>HDMI 19 POS</p> <p>RECEPTACLE ASSY SMT TYPE</p> <p>-LEAD FREE-</p> <p>SIZE A3 CAGE CODE 00779 DRAWING NO C=1747981 RESTRICTED TO</p> <p>SCALE NTS SHEET 1 of 9 REV G</p>														

THIS DRAWING IS UNPUBLISHED.

RELEASED FOR PUBLICATION

SEP. 2005.

© COPYRIGHT 2005 By -

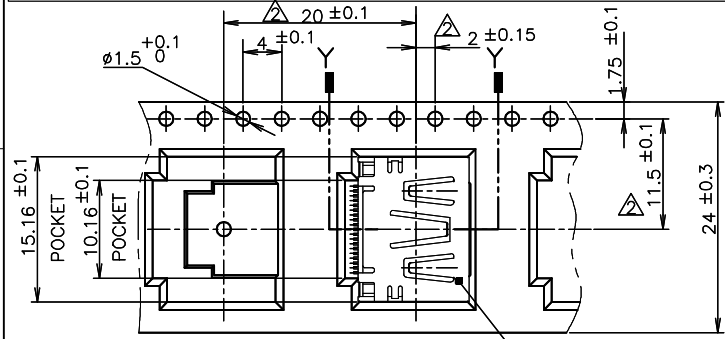
ALL RIGHTS RESERVED.

LOC J DIST

REVISIONS

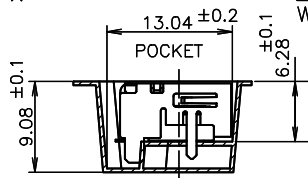
P	LTR	DESCRIPTION	DATE	DWN	APVD
-	-	SEE SHEET 1	-	-	-

NOTICE: THIS COMMUNICATION INCLUDES TE CONNECTIVITY CONFIDENTIAL OR PROPRIETARY INFORMATION THAT MAY ALSO BE LEGALLY PRIVILEGED.

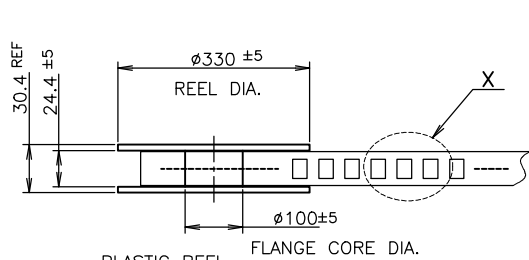


DETAIL X

CONNECTOR WITHOUT FLANGE TYPE



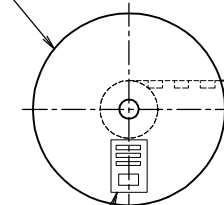
SHOWN AS: 1747981-3



PLASTIC REEL

PULL OUT DIRECTION

EMBOSS REEL



LABEL DESCRIPTION

TE CONNECTIVITY P/N: 1747981-*
 QTY: 300 pcs
 D/C: MADE IN CHINA

WEEDING THE COVER TAPE: 300 MIN (NOT INCLUDE EMPINESS POCKET)

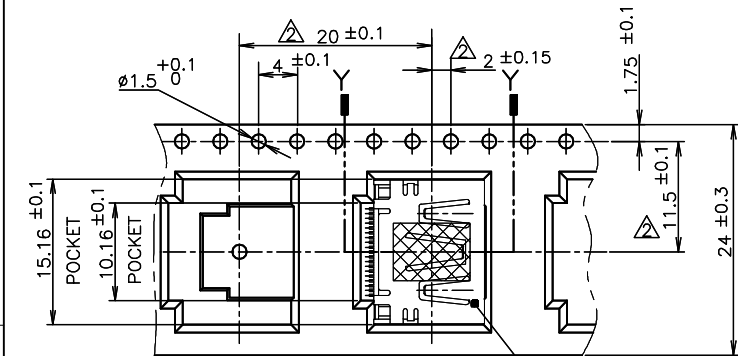
PELLING ANGLE: 165°~180°
PEELING STRENGTH: 0.1~0.7N (300mm/min.)

400^{MIN} WITHOUT CHARGE WITH PRODUCT CHARGE 25^{MIN} WITHOUT CHARGE
 QTY:300PCS

SHOWN AS:
 3-1747981-2
 9-1747981-2
 1747981-2
 1747981-1

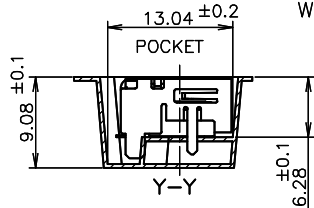
OB

300	WITHOUT	WITHOUT FLANGE TYPE	1747981-3
300	WITH	WITHOUT FLANGE TYPE	3-1747981-2
300	WITH	WITHOUT FLANGE TYPE	9-1747981-2
300	WITH	WITHOUT FLANGE TYPE	1747981-2
300	WITH	WITHOUT FLANGE TYPE	1747981-1
QTY	MYLAR	CONNECTOR TYPE	PART NUMBER



DETAIL X

CONNECTOR WITHOUT FLANGE TYPE



Y-Y

THIS DRAWING IS A CONTROLLED DOCUMENT.

DIMENSIONS: mm

TOLERANCES UNLESS OTHERWISE SPECIFIED:
 0 PLC ± 0.2
 1 PLC ± 0.2
 2 PLC ± 0.2
 3 PLC ± 0.2
 4 PLC ± 0.2
 ANGLES ± -

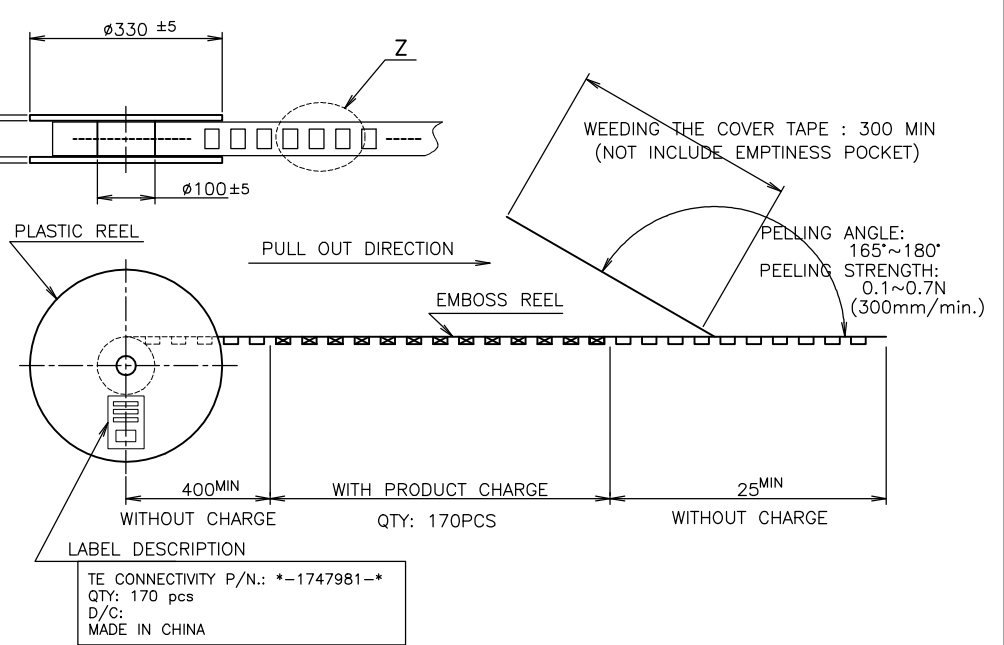
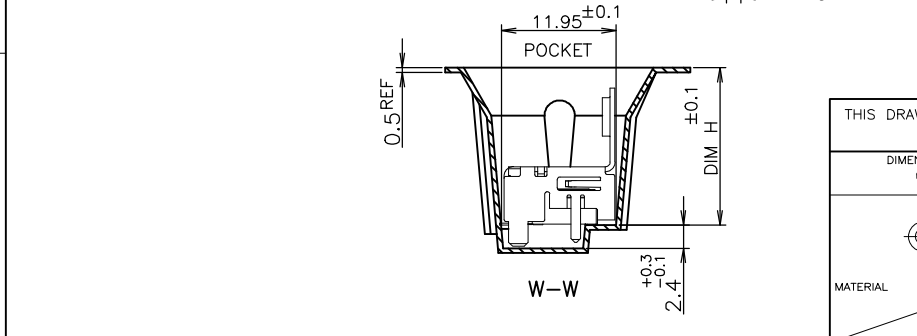
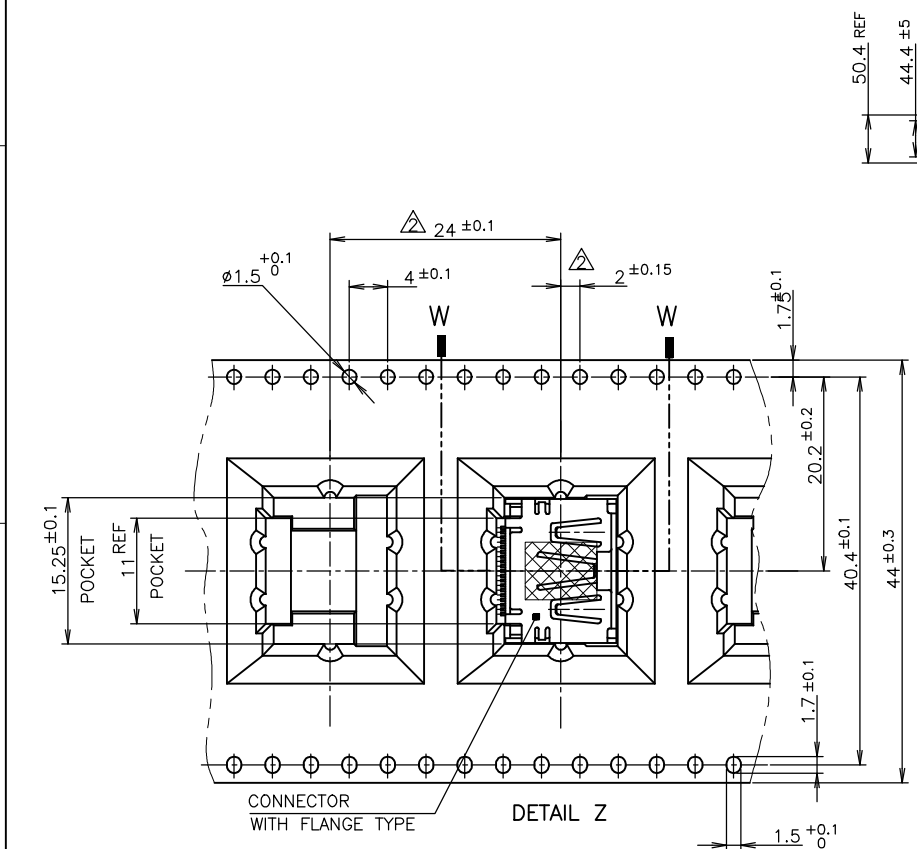
MATERIAL

FINISH

DWN	TE Connectivity		
CHK	NAME		
APVD	HDMI 19 POS RECEPTACLE ASSY SMT TYPE -LEAD FREE-		
PRODUCT SPEC	108-78180-1		
APPLICATION SPEC	SIZE	CAGE CODE	DRAWING NO
WEIGHT	A3	00779	C=1747981
CUSTOMER DRAWING	SCALE	NTS	SHEET 2 of 9
REV	G		

NOTICE: THIS COMMUNICATION INCLUDES TE CONNECTIVITY CONFIDENTIAL OR PROPRIETARY INFORMATION THAT MAY ALSO BE LEGALLY PRIVILEGED.

LOC	DIST	REVISIONS			
P	LTR	DESCRIPTION	DATE	DWN	APVD
J		SEE SHEET 1	-	-	-



TE CONNECTIVITY P/N.: *-1747981-*
 QTY: 170 pcs
 D/C:
 MADE IN CHINA

170	WITH FLANGE TYPE	1-1747981-9
170	WITH FLANGE TYPE	8-1747981-2
170	WITH FLANGE TYPE	2-1747981-5
170	WITH FLANGE TYPE	2-1747981-4
170	WITH FLANGE TYPE	2-1747981-3
170	WITH FLANGE TYPE	1-1747981-7
170	WITH FLANGE TYPE	1-1747981-5
QTY	CONNECTOR TYPE	PART NUMBER

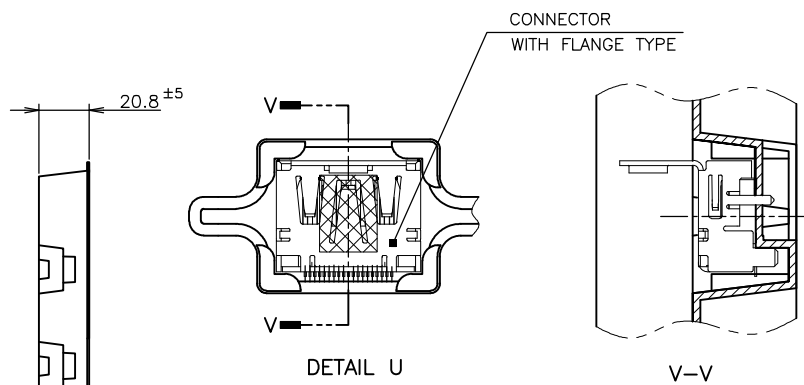
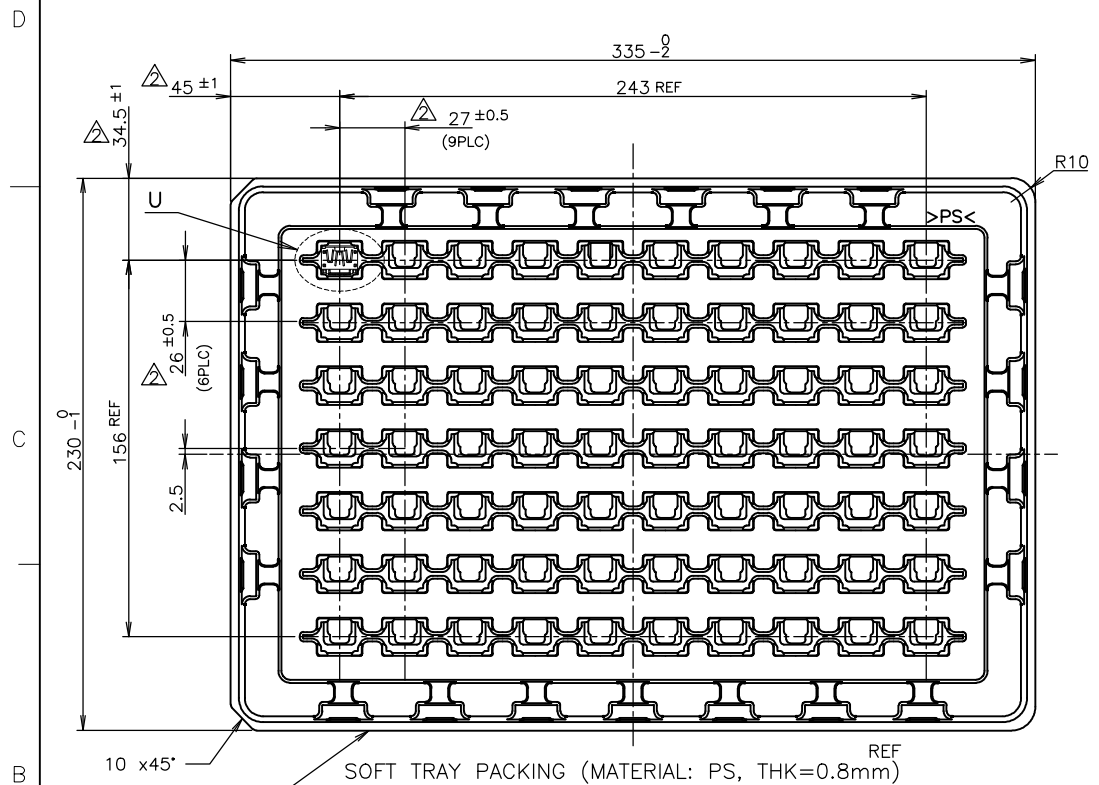
THIS DRAWING IS A CONTROLLED DOCUMENT.

DIMENSIONS: mm	TOLERANCES UNLESS OTHERWISE SPECIFIED:	DIN	TE Connectivity			
0 PLC ± 0.2	1 PLC ± 0.2	CHK	HDMI 19 POS			
2 PLC ± 0.2	3 PLC ± 0.2	APVD	RECEPTACLE ASSY SMT TYPE			
4 PLC ± 0.2	ANGLES ± ±	PRODUCT SPEC	-LEAD FREE-			
MATERIAL	FINISH	APPLICATION SPEC	SIZE	CAGE CODE	DRAWING NO	RESTRICTED TO
		WEIGHT	A3	00779	C=1747981	
CUSTOMER DRAWING			SCALE	NTS	SHEET	3 of 9
			REV			

70 WITH FLANGE TYPE 1-1747981-9

THIS DRAWING IS UNPUBLISHED. RELEASED FOR PUBLICATION SEP. 2005. ALL RIGHTS RESERVED.

LOC	DIST	REVISIONS			
P	LTR	DESCRIPTION	DATE	DWN	APVD
J		SEE SHEET 1			



QTY	CONNECTOR TYPE	PART NUMBER
70	WITH FLANGE TYPE	9-1747981-1
70	WITH FLANGE TYPE	8-1747981-1
70	WITH FLANGE TYPE	3-1747981-1
70	WITH FLANGE TYPE	2-1747981-1
70	WITH FLANGE TYPE	1-1747981-8
70	WITH FLANGE TYPE	1-1747981-4
70	WITH FLANGE TYPE	1-1747981-3
70	WITH FLANGE TYPE	1-1747981-2
70	WITH FLANGE TYPE	1-1747981-1

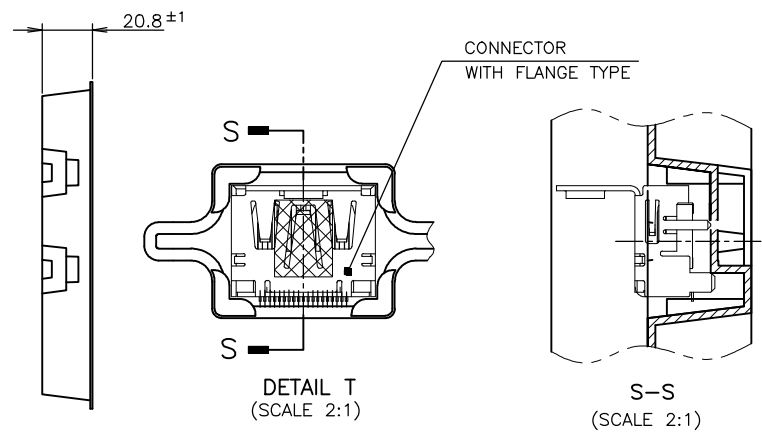
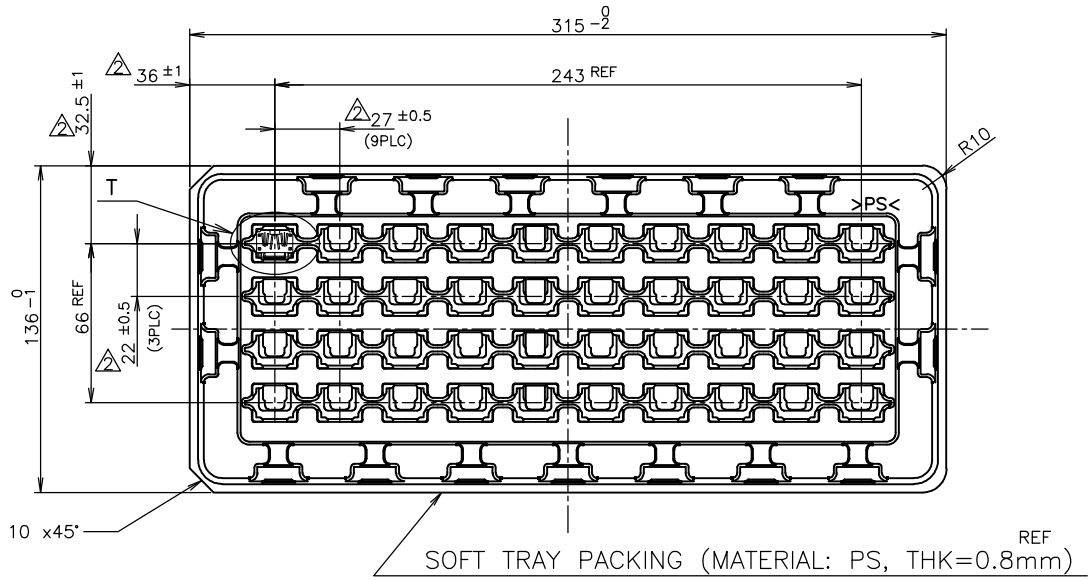
NOTICE: THIS COMMUNICATION INCLUDES TE CONNECTIVITY CONFIDENTIAL OR PROPRIETARY INFORMATION THAT MAY ALSO BE LEGALLY PRIVILEGED.

THIS DRAWING IS A CONTROLLED DOCUMENT.		DWN		TE TE Connectivity	
DIMENSIONS: mm		CHK			
TOLERANCES UNLESS OTHERWISE SPECIFIED:		APVD		NAME	
0 PLC ± 0.2		PRODUCT SPEC		HDMI 19 POS	
1 PLC ± 0.2		APPLICATION SPEC		RECEPTACLE ASSY SMT TYPE	
2 PLC ± 0.2 ± 0.3		108-78180-1		-LEAD FREE-	
3 PLC ± 0.2		SIZE		DRAWING NO	
4 PLC ± 0.2		A3		C-1747981	
ANGLES ±		CAGE CODE		RESTRICTED TO	
MATERIAL		WEIGHT		-	
FINISH		CUSTOMER DRAWING		SCALE NTS	
				SHEET 4 of 9	
				REV	

THIS DRAWING IS UNPUBLISHED. RELEASED FOR PUBLICATION SEP. 2005. ALL RIGHTS RESERVED.

© COPYRIGHT 2005 By -

LOC		DIST		REVISIONS			DATE	DWN	APVD
P	LTR	DESCRIPTION			DATE	DWN	APVD		
J		-		SEE SHEET 1	-	-	-		



NOTICE: THIS COMMUNICATION INCLUDES TE CONNECTIVITY CONFIDENTIAL OR PROPRIETARY INFORMATION THAT MAY ALSO BE LEGALLY PRIVILEGED.

THIS DRAWING IS A CONTROLLED DOCUMENT.

DIMENSIONS: mm	TOLERANCES UNLESS OTHERWISE SPECIFIED:
0 PLC	± 0.2
1 PLC	± 0.2
2 PLC	± 0.2 ± 0.3
3 PLC	± 0.2
4 PLC	± 0.2
ANGLES	± -
MATERIAL	FINISH

40	WITH FLANGE TYPE	1-1747981-6
QTY	CONNECTOR TYPE	PART NUMBER
NAME: HDMI 19 POS RECEPTACLE ASSY SMT TYPE -LEAD FREE-		
SIZE: A3	CAGE CODE: 00779	DRAWING NO: C=1747981
CUSTOMER DRAWING		RESTRICTED TO: -
SCALE: NTS	SHEET: 5 of 9	REV: -

THIS DRAWING IS UNPUBLISHED.

RELEASED FOR PUBLICATION

SEP. 2005.

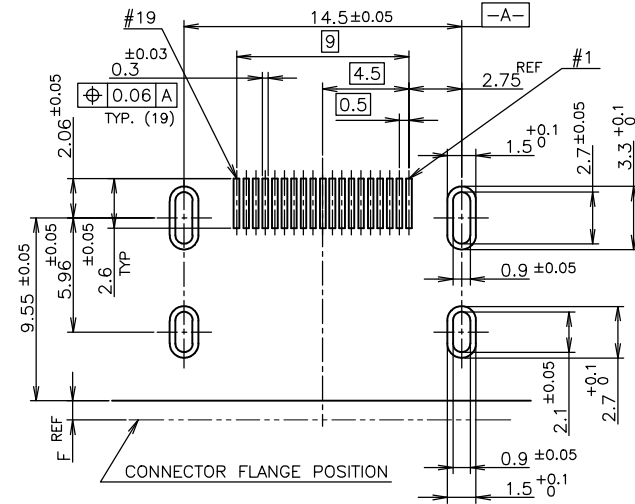
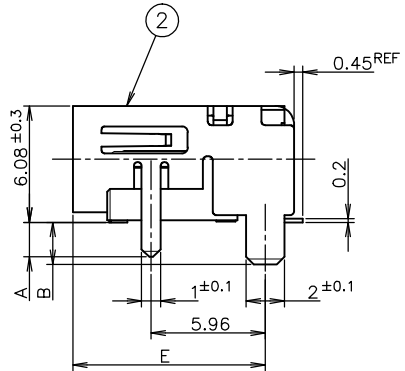
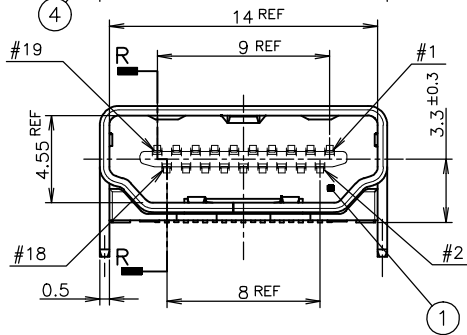
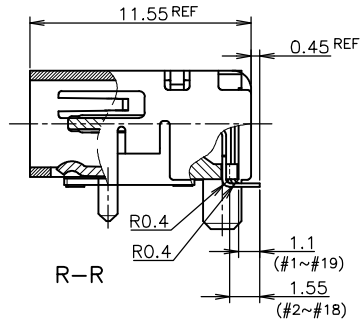
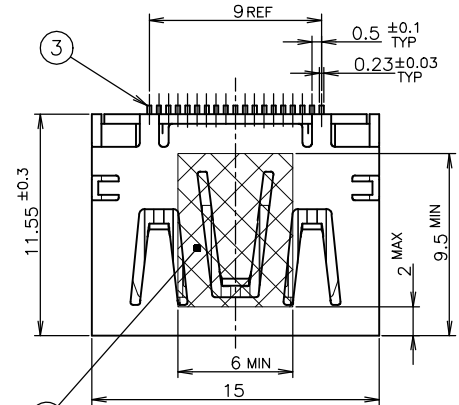
© COPYRIGHT 2005 By -

ALL RIGHTS RESERVED.

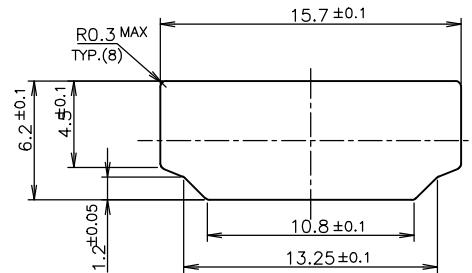
LOC J
DIST

REVISIONS

P	LTR	DESCRIPTION	DATE	DWN	APVD
-	-	SEE SHEET 1	-	-	-



P.C.B LAYOUT
SHOWN AS CONNECTOR MOUNTING SIDE
TOLERANCE: NON-CUMULATIVE
(REFERENCE)



PANEL CUT OUT DIMENSION
(REFERENCE)

CONNECTOR WITHOUT FLANGE TYPE

NOTICE: THIS COMMUNICATION INCLUDES TE CONNECTIVITY CONFIDENTIAL OR PROPRIETARY INFORMATION THAT MAY ALSO BE LEGALLY PRIVILEGED.

THICKNESS	COLOR	MATERIAL	QTY	DISCRIPTION	ITEM
0.08mm	Brown	POLYIMIDE	1	POLYIMIDE TAPE	④
		COPPER ALLOY	19	CONTACT	③
		COPPER ALLOY	1	SHELL	②
		THERMOPLASTIC UL94V-0, BLACK COLOR	1	HOUSING	①
FINISH		MATERIAL	QTY	DISCRIPTION	ITEM

THIS DRAWING IS A CONTROLLED DOCUMENT.

DIMENSIONS: mm	TOLERANCES UNLESS OTHERWISE SPECIFIED:	DWN	TE Connectivity	
	0 PLC ± 0.2	CHK	NAME	
	1 PLC ± 0.2	APVD	HDMI 19 POS	
	2 PLC ± 0.2	PRODUCT SPEC	RECEPTACLE ASSY SMT TYPE	
	3 PLC ± 0.2	APPLICATION SPEC	-LEAD FREE-	
	4 PLC ± 0.2	WEIGHT	SIZE	CAGE CODE
	ANGLES ± ±	CUSTOMER DRAWING	A3	00779
MATERIAL	FINISH	SCALE	DRAWING NO	RESTRICTED TO
		4:1	C=1747981	
		SHEET	6	OF 9
		REV		

THIS DRAWING IS UNPUBLISHED.

RELEASED FOR PUBLICATION

SEP. 2005.

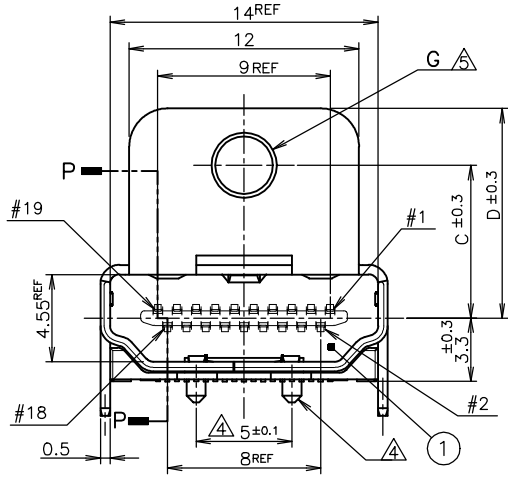
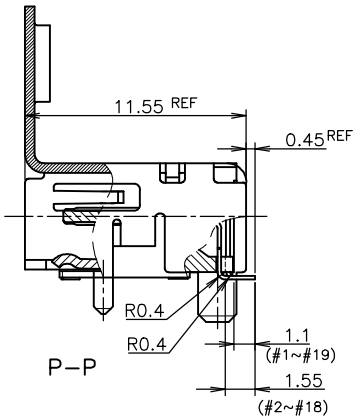
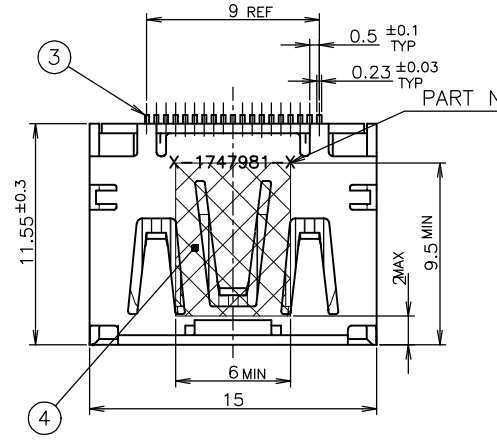
© COPYRIGHT 2005 By -

ALL RIGHTS RESERVED.

LOC J
DIST

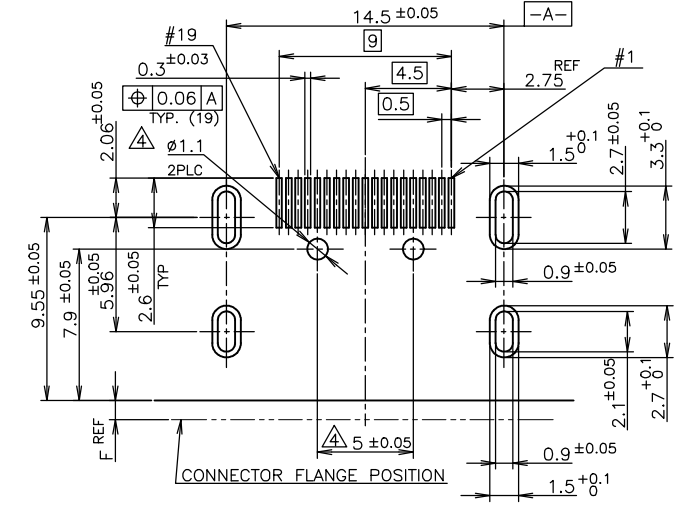
REVISIONS

P	LTR	DESCRIPTION	DATE	DWN	APVD
-	-	SEE SHEET 1	-	-	-

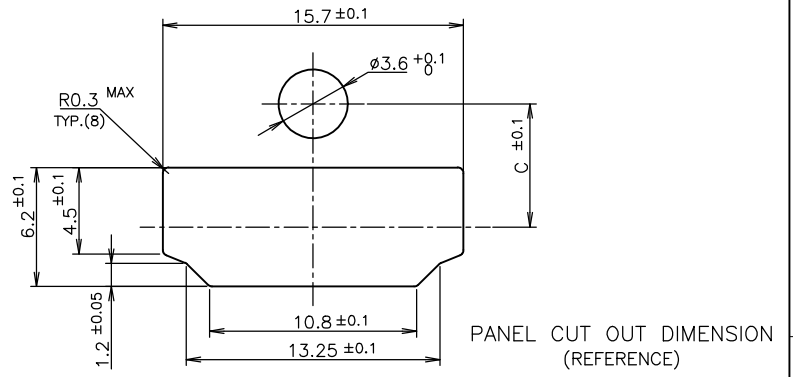


CONNECTOR WITH FLANGE TYPE

NOTICE: THIS COMMUNICATION INCLUDES TE CONNECTIVITY CONFIDENTIAL OR PROPRIETARY INFORMATION THAT MAY ALSO BE LEGALLY PRIVILEGED.



P.C.B LAYOUT SHOWN AS CONNECTOR MOUNTING SIDE TOLERANCE: NON-CUMULATIVE (REFERENCE)



THIS DRAWING IS A CONTROLLED DOCUMENT.		DWN	TE Connectivity	
DIMENSIONS: mm		CHK	NAME	
TOLERANCES UNLESS OTHERWISE SPECIFIED:		APVD	HDMI 19 POS	
0 PLC ± 0.2		PRODUCT SPEC	RECEPTACLE ASSY SMT TYPE	
1 PLC ± 0.2		APPLICATION SPEC	-LEAD FREE-	
2 PLC ± 0.2		WEIGHT	SIZE	CAGE CODE
3 PLC ± 0.2		CUSTOMER DRAWING	A3	00779
4 PLC ± 0.2			DRAWING NO	C=1747981
ANGLES ±		SCALE	NTS	SHEET 7 of 9
MATERIAL FINISH		REV		

THICKNESS	COLOR	MATERIAL	QTY	DISCRIPTION	ITEM
0.08	Brown	POLYIMIDE	1	POLYIMIDE TAPE	④
		COPPER ALLOY	19	CONTACT	③
		COPPER ALLOY	1	SHELL	②
		THERMOPLASTIC UL94V-0, BLACK COLOR	1	HOUSING	①
FINISH		MATERIAL	QTY	DISCRIPTION	ITEM

THIS DRAWING IS UNPUBLISHED.

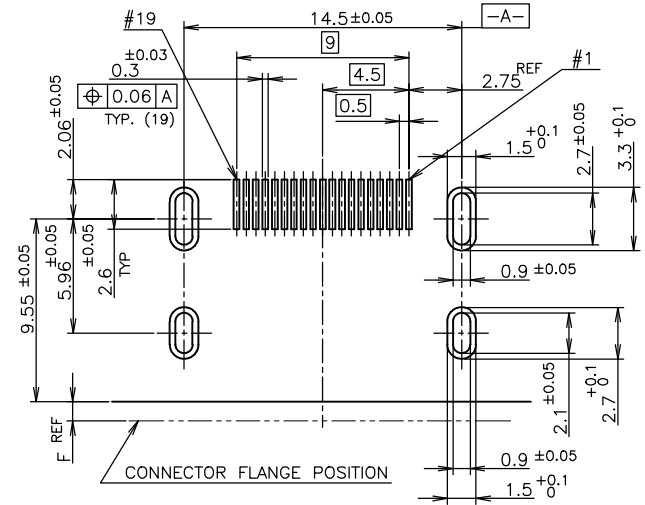
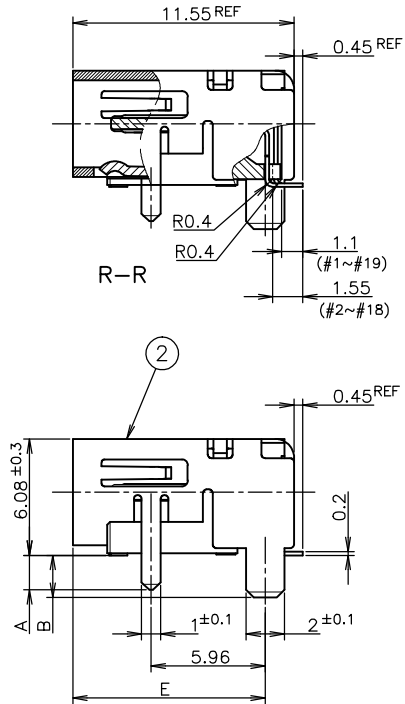
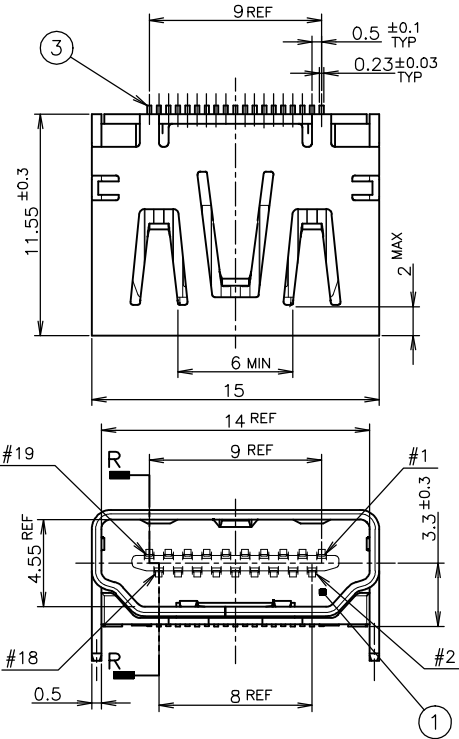
RELEASED FOR PUBLICATION

SEP. 2005.

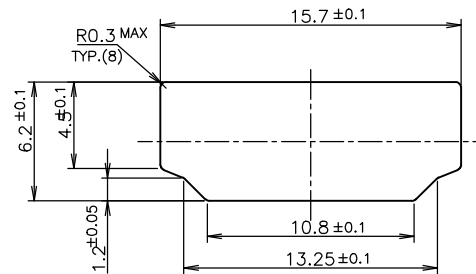
© COPYRIGHT 2005 By -

ALL RIGHTS RESERVED.

LOC		DIST		REVISIONS			
P	LTR	DESCRIPTION		DATE	DWN	APVD	
J		-	-	SEE SHEET 1	-	-	



P.C.B LAYOUT
SHOWN AS CONNECTOR MOUNTING SIDE
TOLERANCE: NON-CUMULATIVE
(REFERENCE)



PANEL CUT OUT DIMENSION
(REFERENCE)

CONNECTOR WITHOUT FLANGE TYPE

NOTICE: THIS COMMUNICATION INCLUDES TE CONNECTIVITY CONFIDENTIAL OR PROPRIETARY INFORMATION THAT MAY ALSO BE LEGALLY PRIVILEGED.

FINISH	MATERIAL	QTY	DISCRIPTION	ITEM
	COPPER ALLOY	19	CONTACT	③
	COPPER ALLOY	1	SHELL	②
	THERMOPLASTIC UL94V-0, BLACK COLOR	1	HOUSING	①

THIS DRAWING IS A CONTROLLED DOCUMENT.

DIMENSIONS: mm	TOLERANCES UNLESS OTHERWISE SPECIFIED:	DWN	TE Connectivity	
0 PLC ± 0.2	1 PLC ± 0.2	CHK	NAME	
2 PLC ± 0.2	3 PLC ± 0.2	APVD	HDMI 19 POS RECEPTACLE ASSY SMT TYPE -LEAD FREE-	
4 PLC ± 0.2	ANGLES ± ±	PRODUCT SPEC	SIZE	CAGE CODE
		APPLICATION SPEC	A3	00779
		WEIGHT	DRAWING NO	RESTRICTED TO
		CUSTOMER DRAWING	C=1747981	
		SCALE	4:1	SHEET
			8 of 9	REV