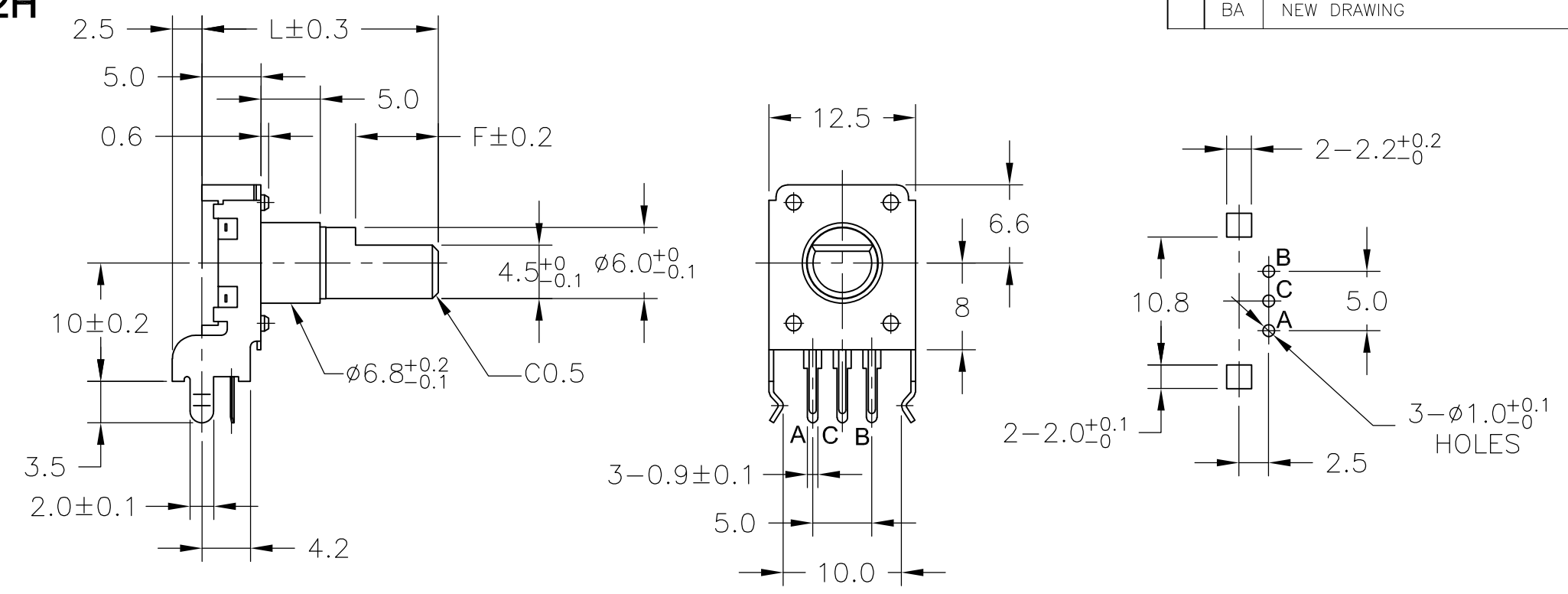


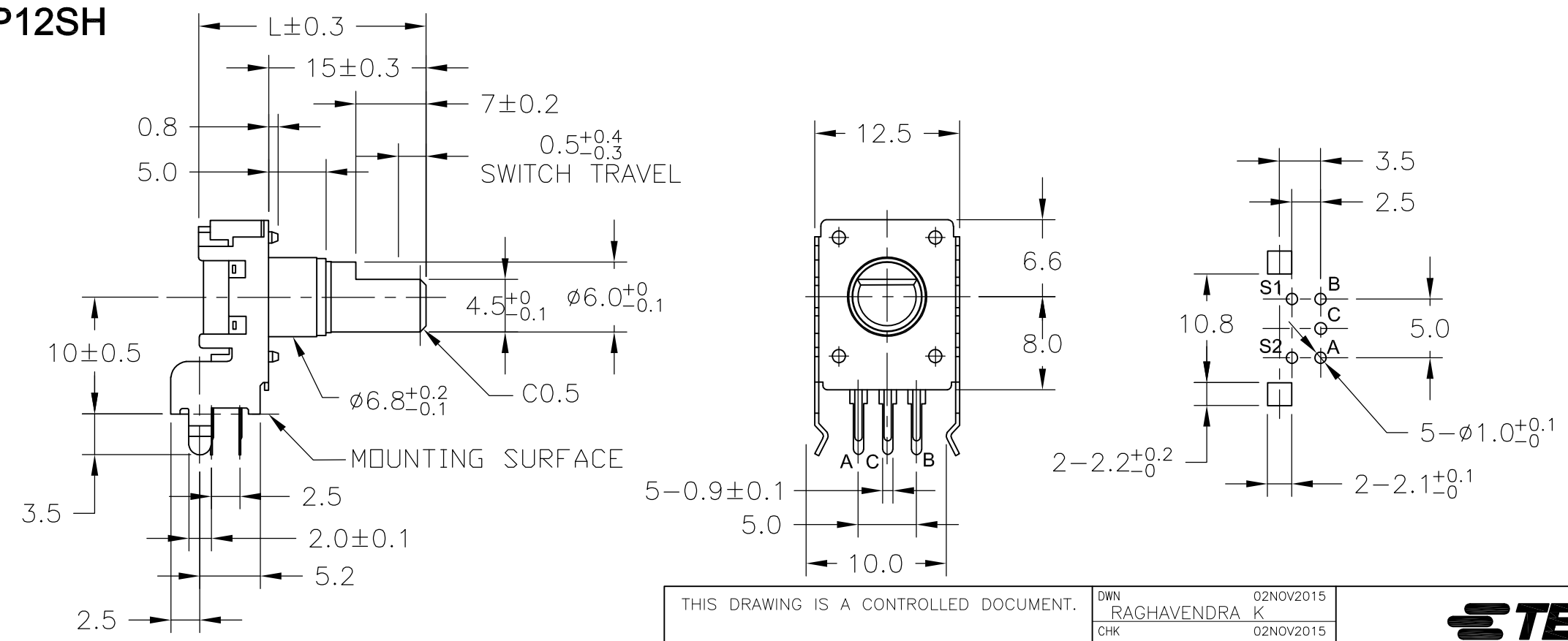
THIS DRAWING IS UNPUBLISHED. RELEASED FOR PUBLICATION  
 © COPYRIGHT - By - ALL RIGHTS RESERVED.

LOC	DIST	REVISIONS				
		P	LTR	DESCRIPTION	DATE	DWN
-	-	BA	NEW DRAWING	02NOV15	KR	TN


### Dimensions - DP12H



### Dimensions - DP12SH



**ROHS COMPLIANCE**

THIS DRAWING IS A CONTROLLED DOCUMENT.		DWN RAGHAVENDRA K 02NOV2015	 <b>TE Connectivity</b>				
DIMENSIONS: mm		CHK ALLAN P 02NOV2015					
TOLERANCES UNLESS OTHERWISE SPECIFIED:		APVD TONY N 02NOV2015	NAME				
<ul style="list-style-type: none"> <li>0 PLC ± -</li> <li>1 PLC ± -</li> <li>2 PLC ± -</li> <li>3 PLC ± -</li> <li>4 PLC ± -</li> <li>ANGLES ± -</li> </ul>		PRODUCT SPEC	12mm ROTARY ENCODER SERIES DP12				
MATERIAL		FINISH	APPLICATION SPEC	SIZE	CAGE CODE	DRAWING NO	RESTRICTED TO
-		-	-	A3	00779	C=1879315	-
CUSTOMER DRAWING			SCALE	SHEET	REV		
			1:1	1 OF 2	BA		

THIS DRAWING IS UNPUBLISHED.

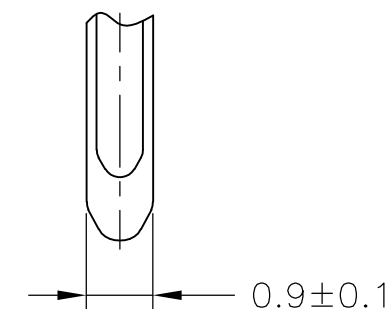
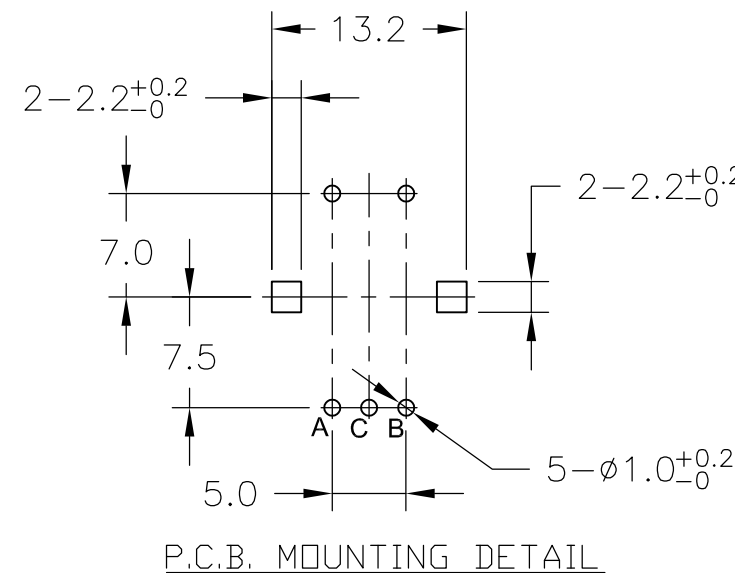
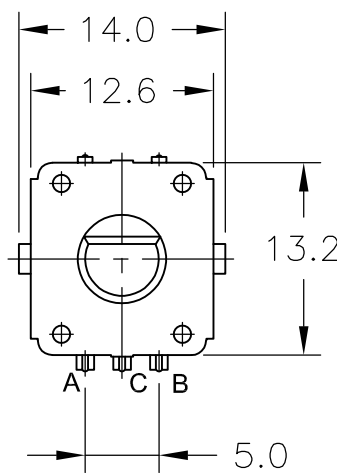
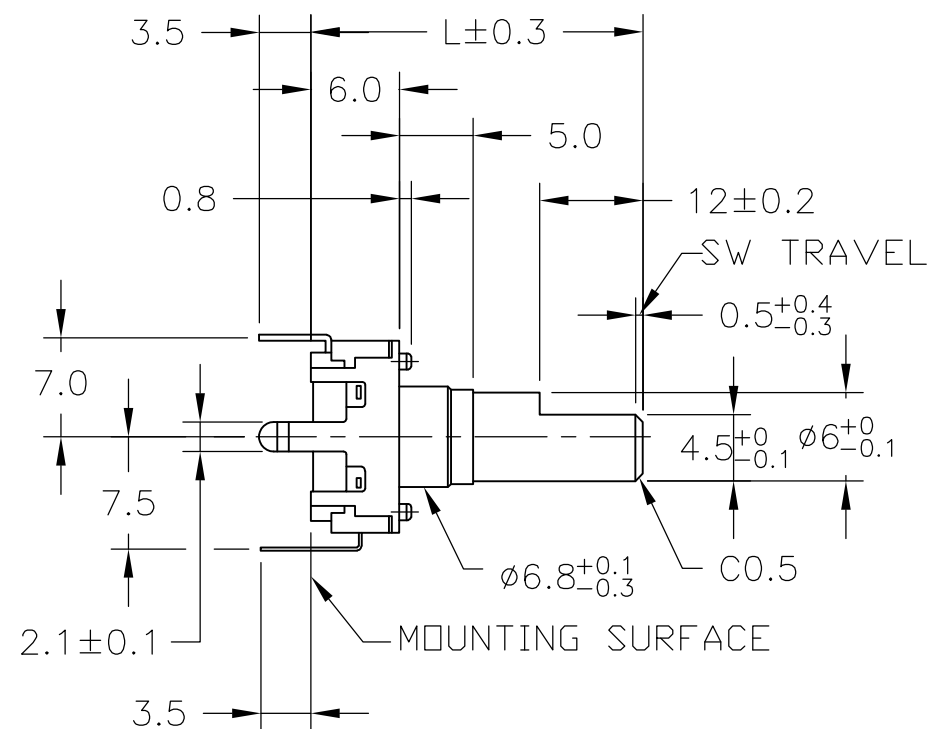
RELEASED FOR PUBLICATION

ALL RIGHTS RESERVED.

© COPYRIGHT - By -

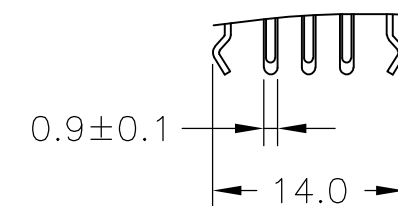
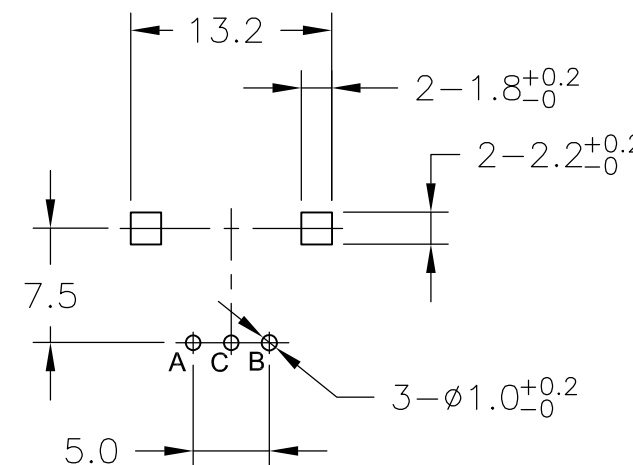
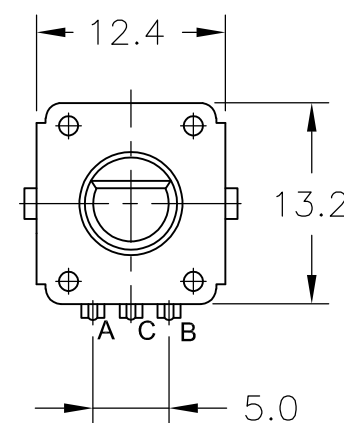
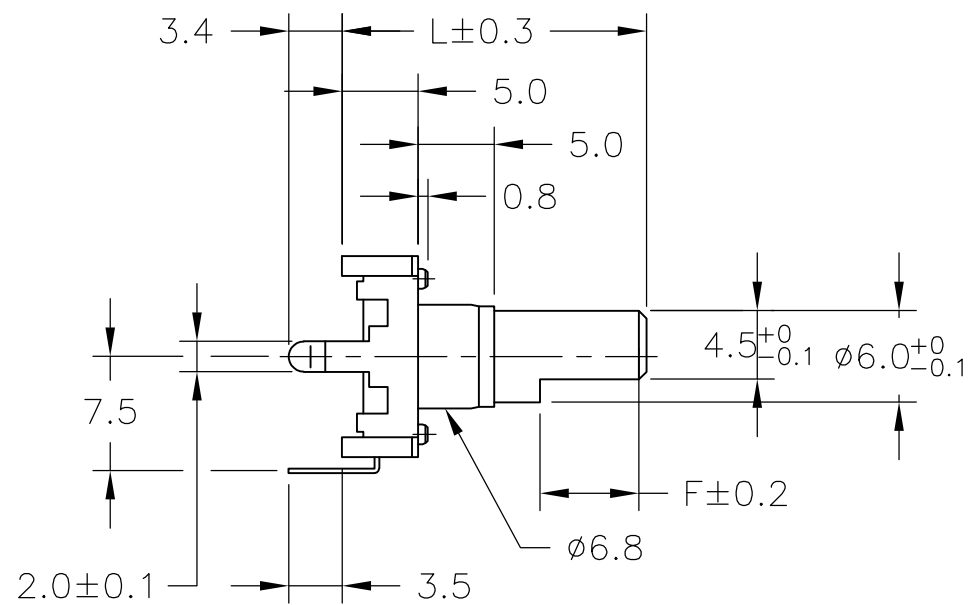
LOC	DIST	REVISIONS					
		P	LTR	DESCRIPTION	DATE	DWN	APVD
-	-	-	-	SEE SHEET 1	-	-	-

### Dimensions - DP12SV



**ROHS COMPLIANCE**

### Dimensions - DP12V



**ROHS COMPLIANCE**

### Shaft Length:

Code	17.5F	20F	22.5F	25F	30F
L	17.5	20	22.5	25	30
F	5	7	7	12	12

THIS DRAWING IS A CONTROLLED DOCUMENT.		DWN RAGHAVENDRA K 02NOV2015	TE Connectivity		
		CHK ALLAN P 02NOV2015			
		APVD TONY N 02NOV2015	NAME		
		PRODUCT SPEC	12mm ROTARY ENCODER SERIES DP12		
		APPLICATION SPEC	RESTRICTED TO		
MATERIAL		FINISH	SIZE	CAGE CODE	DRAWING NO
-		-	A3	00779	C=1879315
CUSTOMER DRAWING			SCALE	SHEET	REV
			1:1	2 OF 2	BA