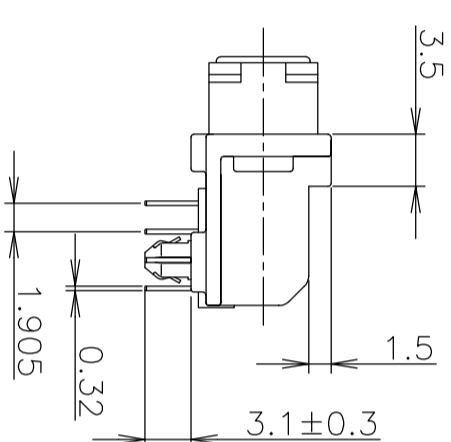
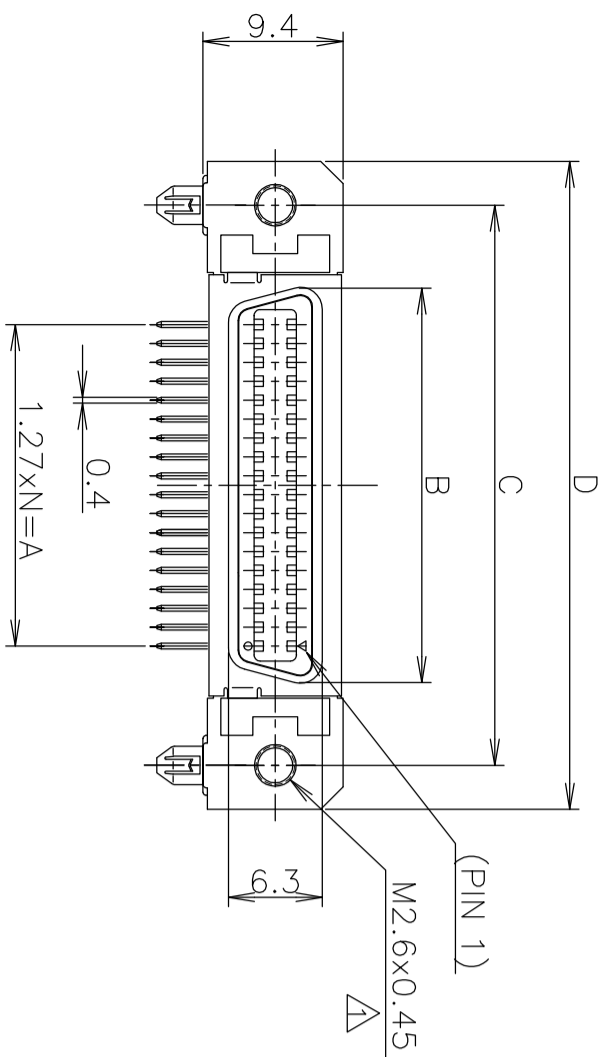
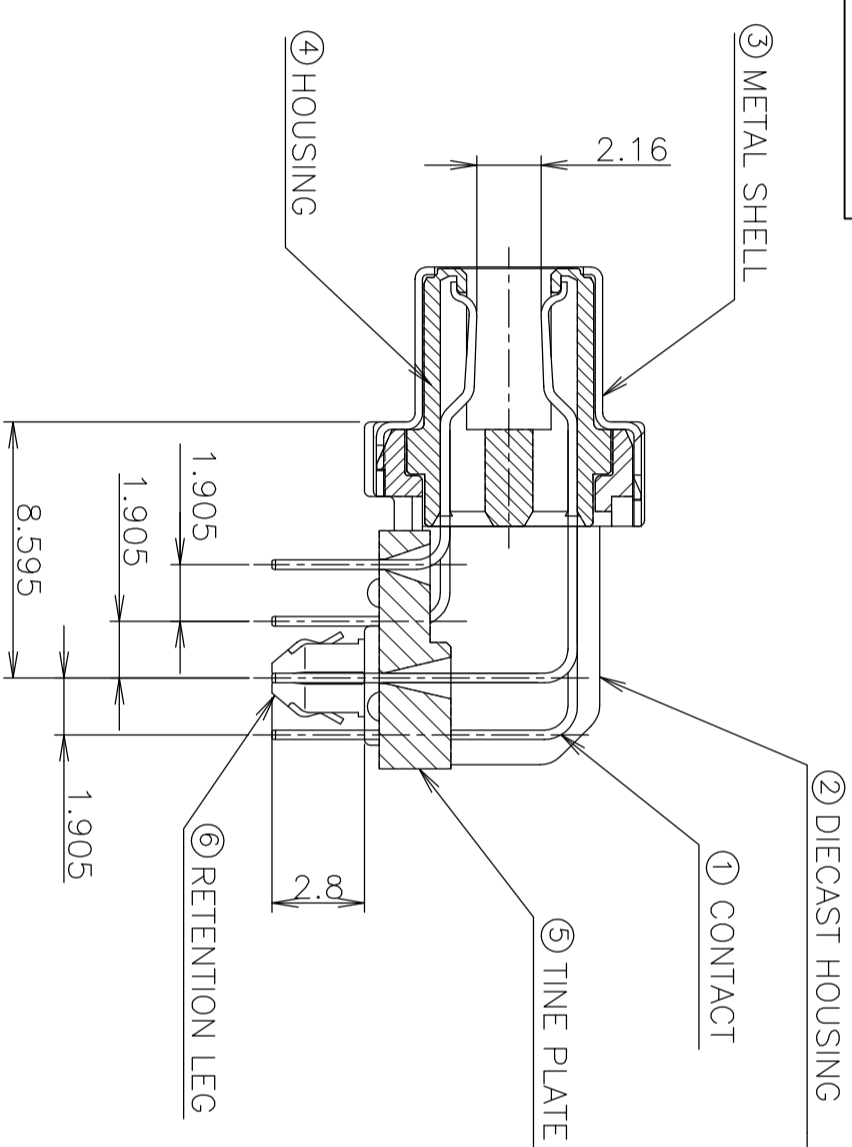
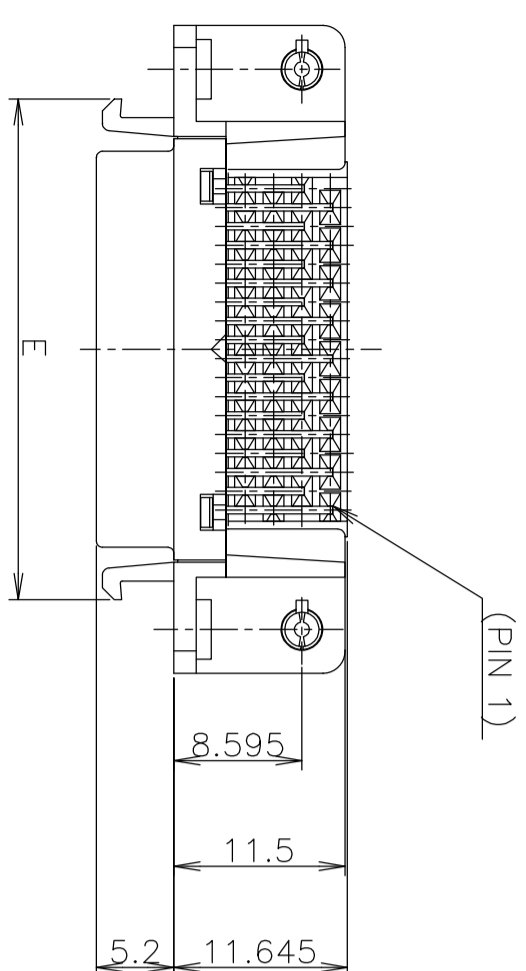
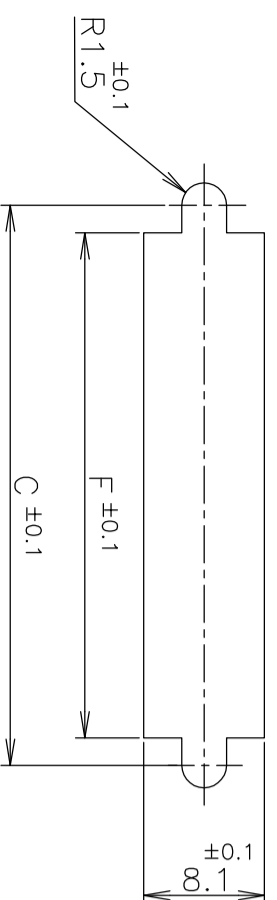
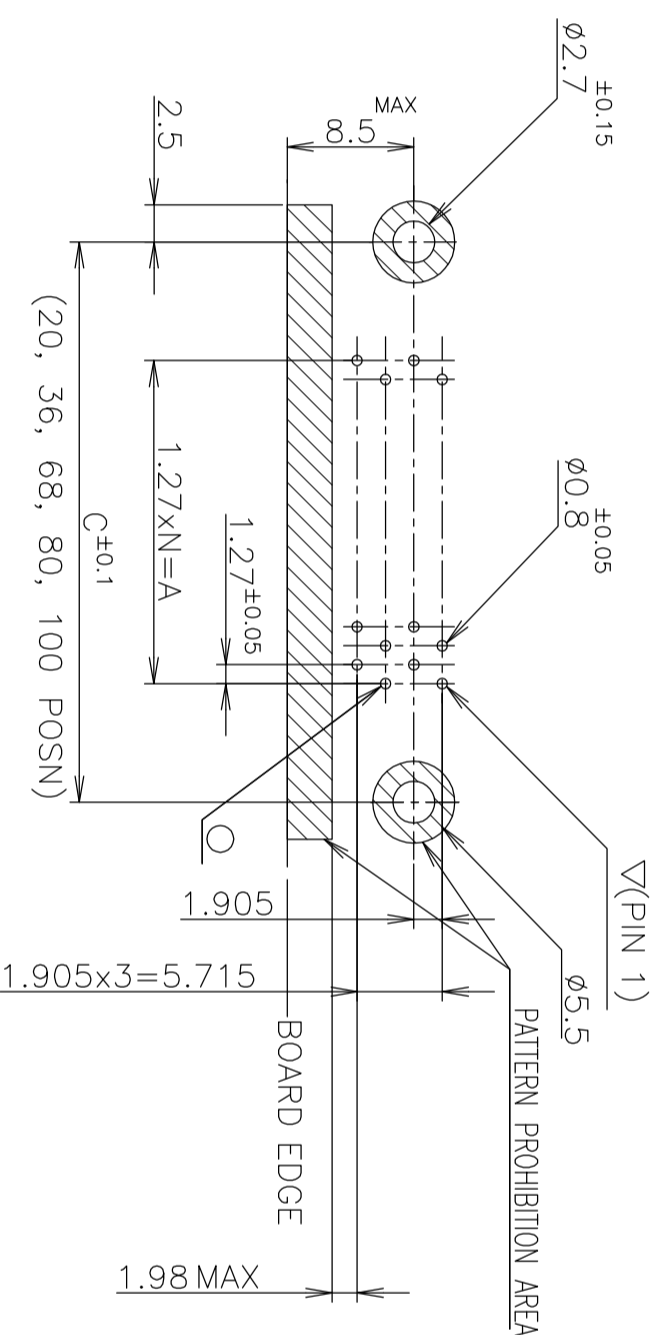
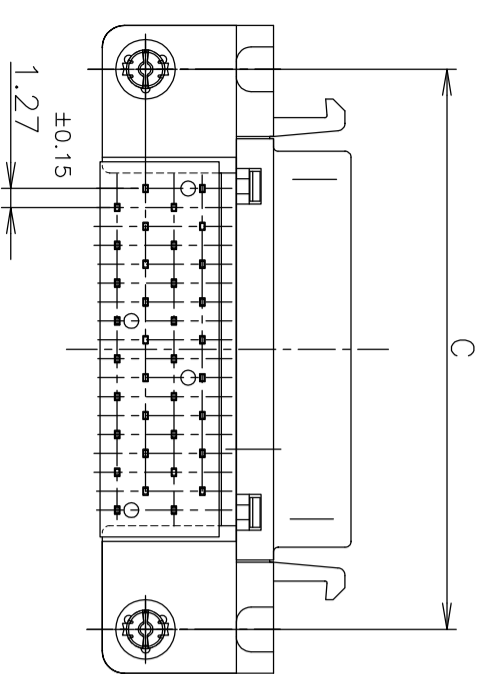


LOC	DIST	DESCRIPTION	DATE	DMN	APRD
J	P	LTR			
	O	REV PER ECR-06-023863	1SEP06	S.L	S.Y

ITEM	MATERIAL	FINISH
①	COPPER ALLOY	NICKEL UNDER PLATE ALL OVER CONTACT AREA : Au(0.3u, 0.76u) SOLDER TINE AREA : TIN PLATE
②	ZINC	NICKEL PLATING
③	STEEL t0.25	NICKEL PLATE OVER COPPER UNDERPLATE
④	THERMO-PLASTIC(UL:94V-0)	COLOR: BLACK
⑥	COPPER ALLOY	TIN PLATE OVER NICKEL UNDERPLATE



- NOTES:
- △ RECOMMENDED SCREW SIZE : M2.6 PANHEAD SCREW(L=5)
 - RECOMMENDED P.C BOARD THICKNESS : 1.6mm (REF)
 - CONNECTOR TO BE MATED:175677
 - INSERTION FORCE OF RETENTION LEG TO P.C.B: 21.56N(2.2kgf) MAX/CONNECTOR.
 - RETENTIVITY OF RETENTION LEG TO P.C.B: 4.9N(0.5kgf) MIN/CONNECTOR.



RECOMMENDED PANEL CUTOUT
THK.2mm MAX

RECOMMENDED PC BOARD
MOUNTING DIMMENSION
(COMPONENT SIDE)

	N	F	E	D	C	B	A	Au P.LT.	POSITION	CONNECTOR P./N
17	33.9	33.61	43.51	37.61	26.59	21.59	0.76mm	36	2-5178238-5	

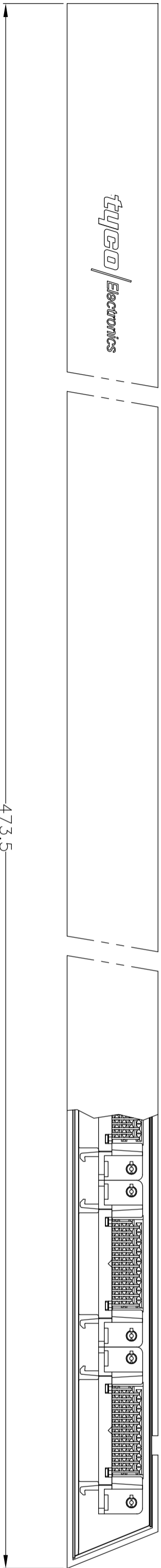
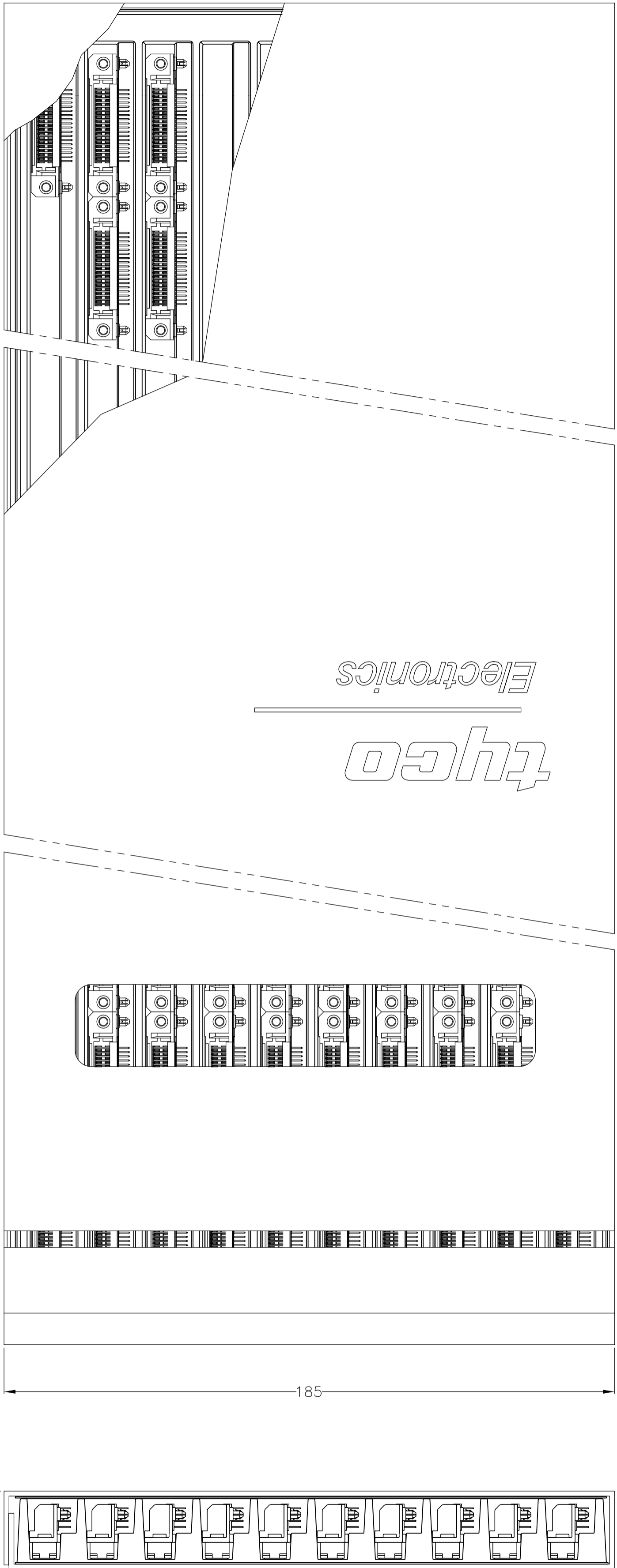
THIS DRAWING IS A CONTROLLED DOCUMENT.

DIMENSIONS:	TOLERANCES UNLESS OTHERWISE SPECIFIED:
0 P.LC	± 0.2
1 P.LC	± 0.2
2 P.LC	± 0.2
3 P.LC	± 0.2
4 P.LC	± 0.2

MATERIAL	FINISH
SEE TABLE	SEE TABLE

LEAD FREE

LOC		DIST		REVISIONS			
P	LR	DESCRIPTION	DATE	OWN	APPD		
J		SEE SHEET 1					



1939951

100/TRAY	TRAY	2-5178238-5	2-1939951-5
QUANTITY PER PACKAGE		PACKING	PART NUMBER
DMN SIMON,LI	1SEP06	CONNECTOR P/N	
CHK GAVIN,ZHANG	1SEP06		
APPD STEVEN,YAO	1SEP06	NAME	
PRODUCT SPEC		RECEPTACLE HDR ASSY (3.1mm)	
APPLICATION SPEC		RETENTION LEG TYPE	
WEIGHT		STANDARD CHAMP.050 SERIES (II)	
CUSTOMER DRAWING		RESTRICTED TO	

THIS DRAWING IS A CONTROLLED DOCUMENT.	
DIMENSIONS: mm	TOLERANCES UNLESS OTHERWISE SPECIFIED:
0 P/C	± .1
1 P/C	± .1
2 P/C	± .1
3 P/C	± .1
4 P/C	± .1
ANGLES	± .1
FINISH	-



SIZE	A2	CODE	00779	DRAWING NO	1939951	RESTRICTED TO
SCALE	N/A	SHEET	2	OF	2	REV
						0