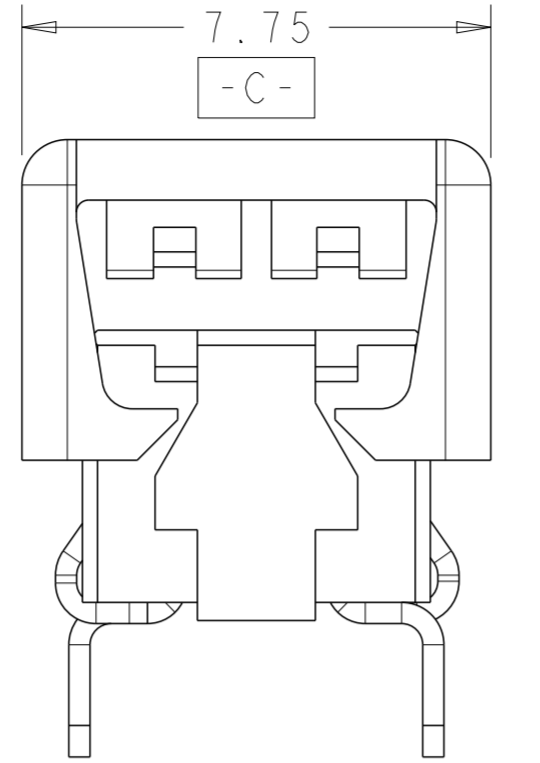
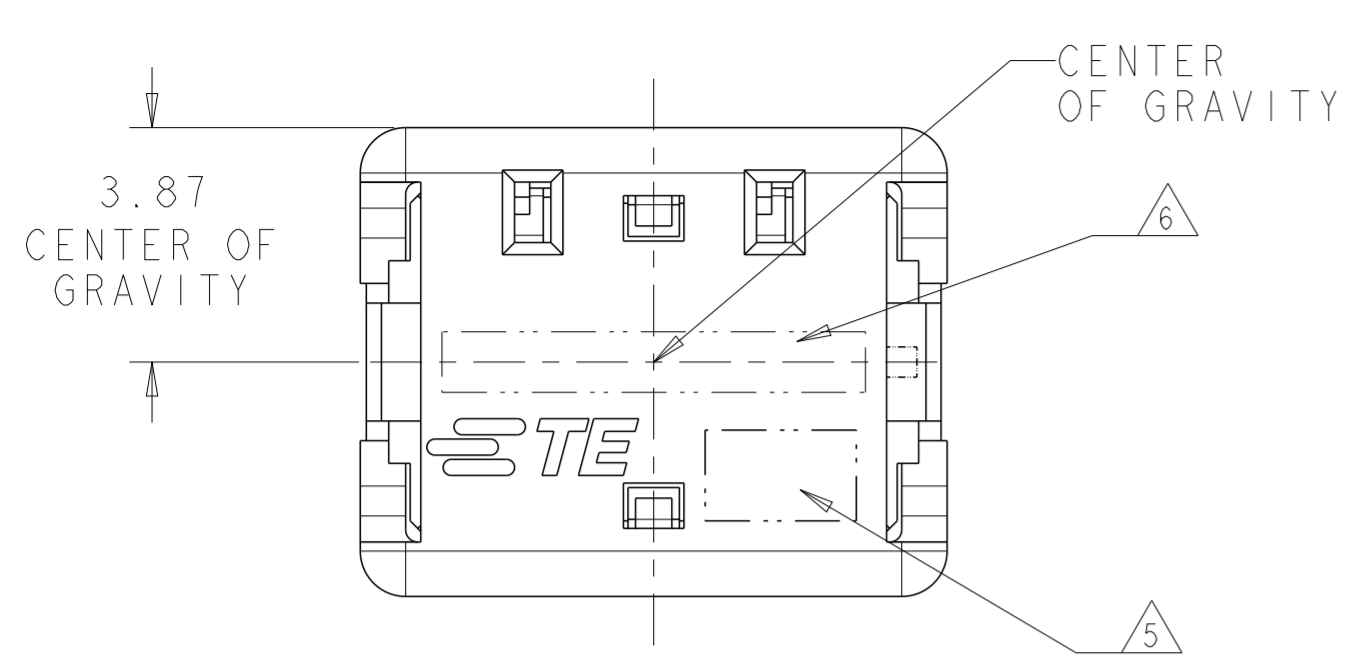
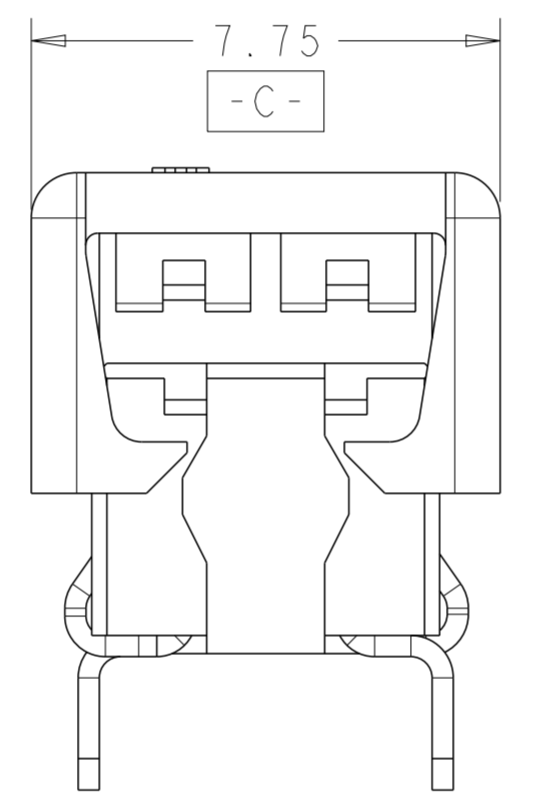
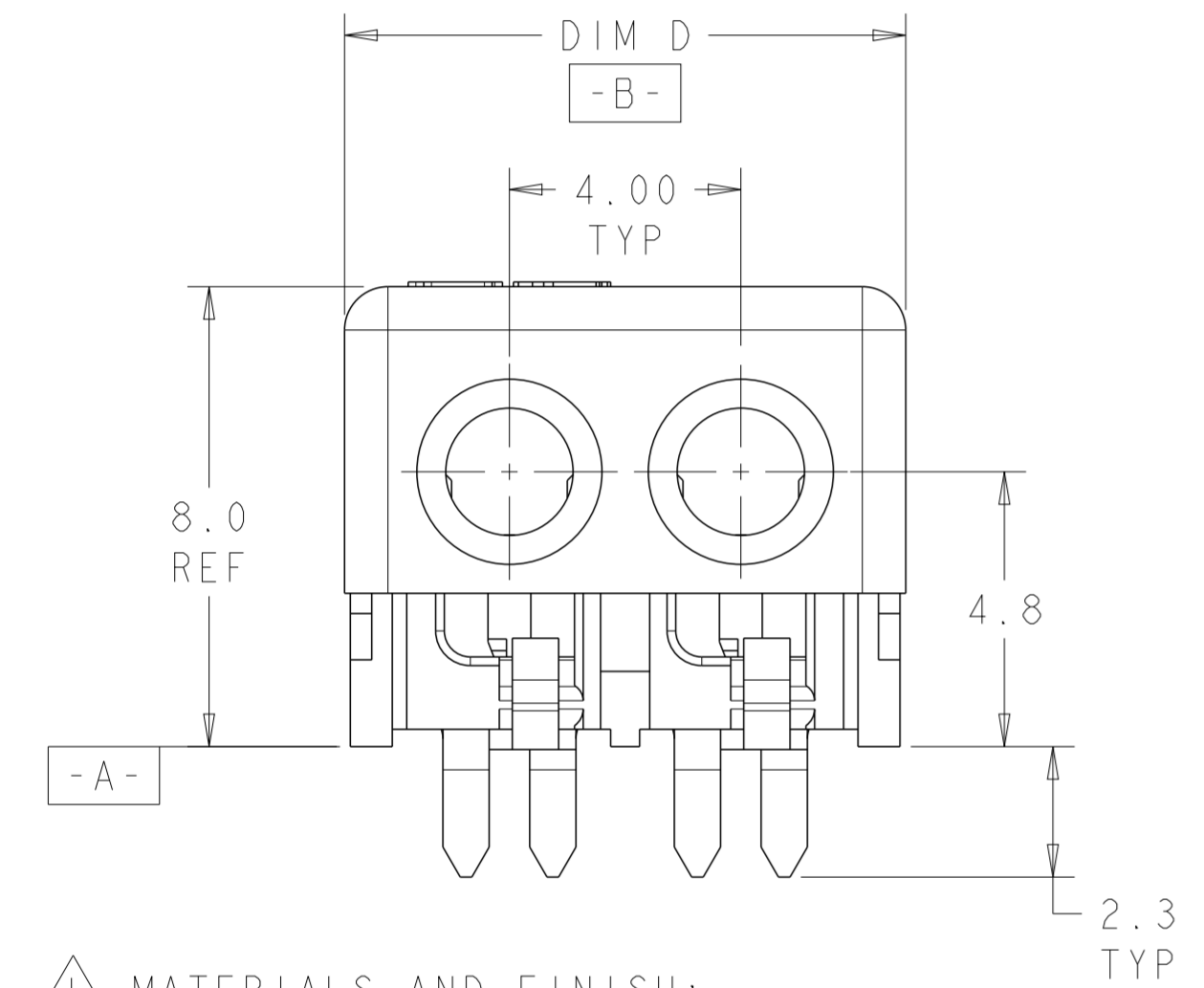


THIS DRAWING IS UNPUBLISHED. RELEASED FOR PUBLICATION 20
 © COPYRIGHT 20 BY - ALL RIGHTS RESERVED.

LOC		DIST		REVISIONS			
P	LTR	DESCRIPTION		DATE	DWN	APVD	
	CM	00					
	A1	REVISED PER ECR-12-003555		19APR2012	RS	DD	
	A2	REVISED PER ECR-12-016877		20OCT2012	RS	DD	
	B	REVISED PER ECR-15-004054		28JUL2015	RS	DD	
	C	REVISED PER ECR-15-017995		18DEC2015	RS	DD	

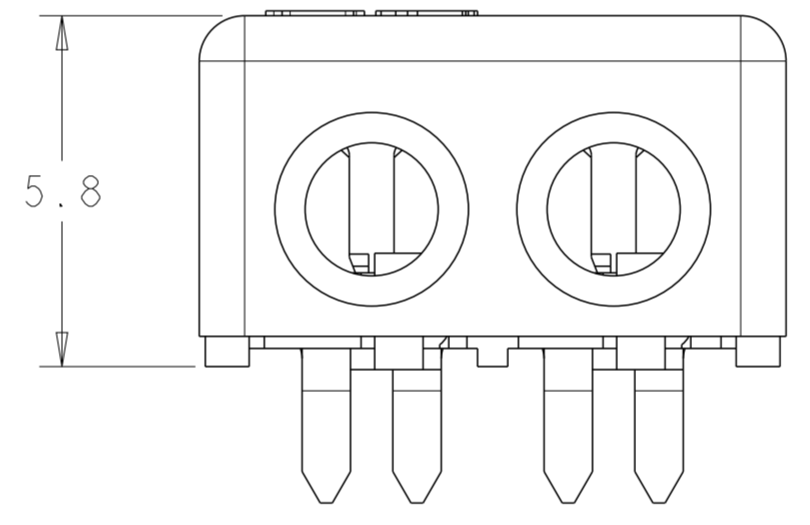


FOR 1 POSITION ONLY

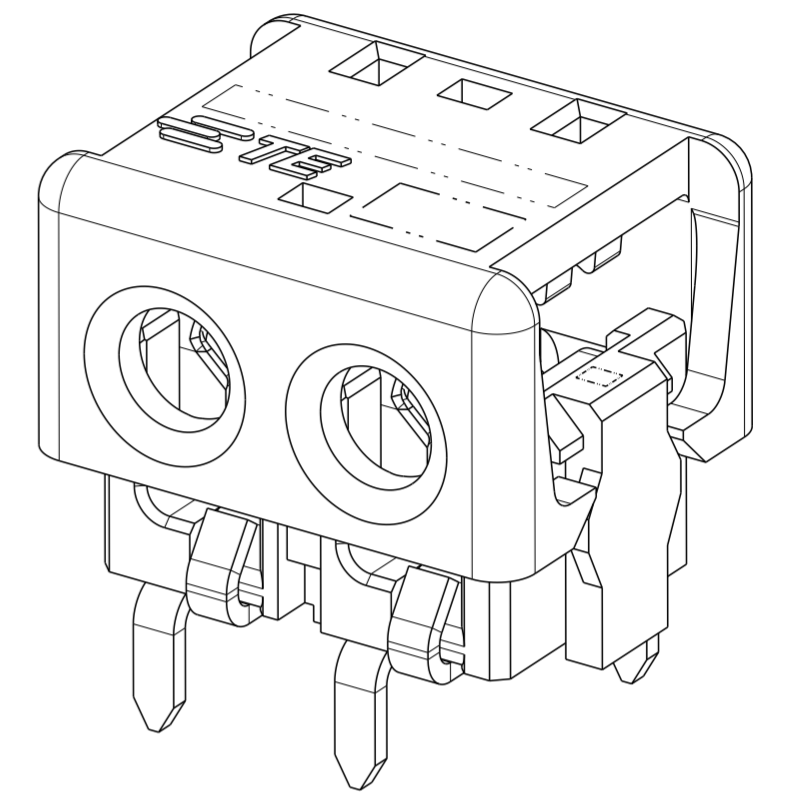


FOR 2, 3 AND 4 POSITIONS

2 POSITION SHOWN AS SHIPPED



2 POSITION SHOWN CLOSED SCALE 8:1



- △ MATERIALS AND FINISH:
 - HOUSING: LCP, COLOR: NATURAL
 - CONTACTS: COPPER ALLOY, FINISH: Sn OVER Ni

- 2. COMPLY WITH DIRECTIVE 2002/95/EC (ROHS)
- 3. 18-24AWG SOLID OR STRANDED WIRE. PLEASE REFER TO APPLICATION SPEC 114-13266 FOR RECOMMENDED STRAND COUNT.
 - 18 AWG MAX INSULATION OD: 2.20
 - 20 AWG MAX INSULATION OD: 1.90
 - 22 AWG MAX INSULATION OD: 1.70
 - 24 AWG MAX INSULATION OD: 1.45

4. PACKAGE IN TAPE AND REEL PER EIA-481 SPECIFICATION

- △ WIRE SIZE MARKING IN APPROXIMATE LOCATION SHOWN.
- △ COLOR CODE MARKING, STRAIGHT LINE.
- △ ONE POSITION ASSEMBLY DOES NOT COMPLY WITH EIA 481 SPECIFICATION.

RED	17.70	24 AWG	4	3-2106489-4
	13.70	24 AWG	3	3-2106489-3
	9.70	24 AWG	2	3-2106489-2
	5.70	24 AWG	1	△ 3-2106489-1
GREEN	17.70	22 AWG	4	2-2106489-4
	13.70	22 AWG	3	2-2106489-3
	9.70	22 AWG	2	2-2106489-2
BLUE	5.70	22 AWG	1	△ 2-2106489-1
	17.70	20 AWG	4	1-2106489-4
	13.70	20 AWG	3	1-2106489-3
	9.70	20 AWG	2	1-2106489-2
YELLOW	5.70	20 AWG	1	△ 1-2106489-1
	17.70	18 AWG	4	2106489-4
	13.70	18 AWG	3	2106489-3
	9.70	18 AWG	2	2106489-2
COLOR CODE	5.70	18 AWG	1	△ 2106489-1
	DIM D	WIRE SIZE	POSN	PART NUMBER

THIS DRAWING IS A CONTROLLED DOCUMENT. DWN: C DAILY 11JUN2009
 CHK: O OSAGIE 11JUN2009

STE TE Connectivity

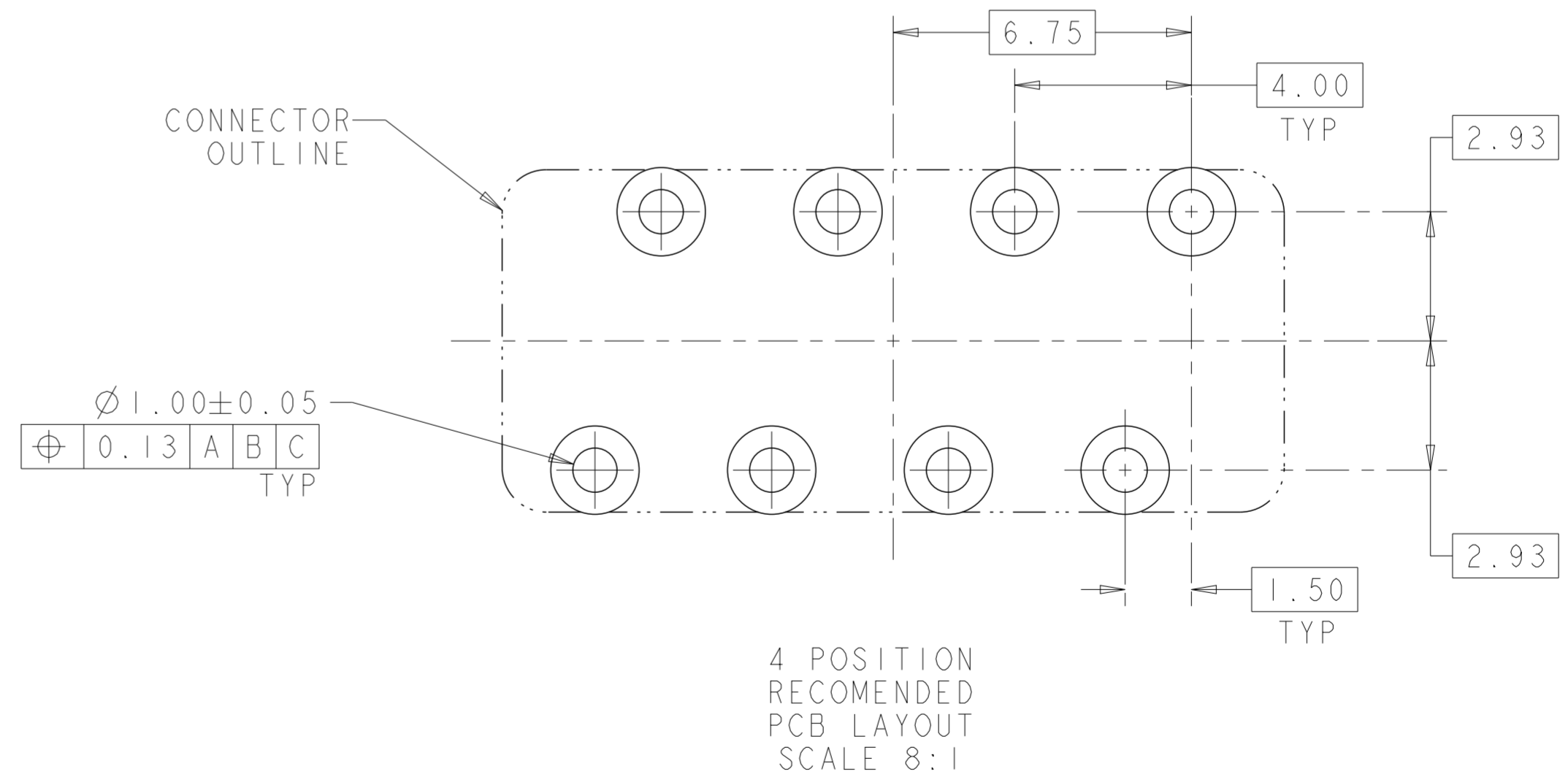
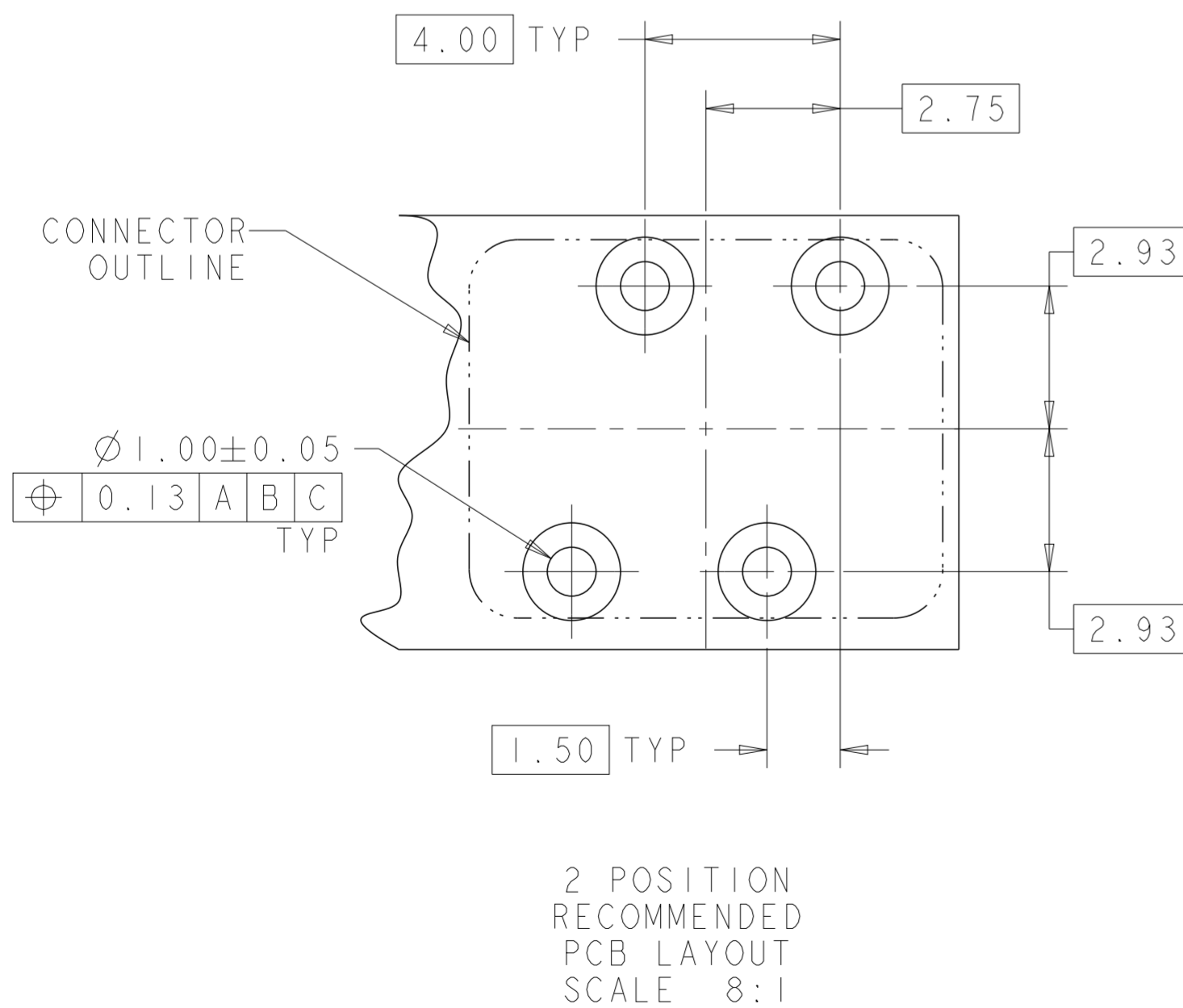
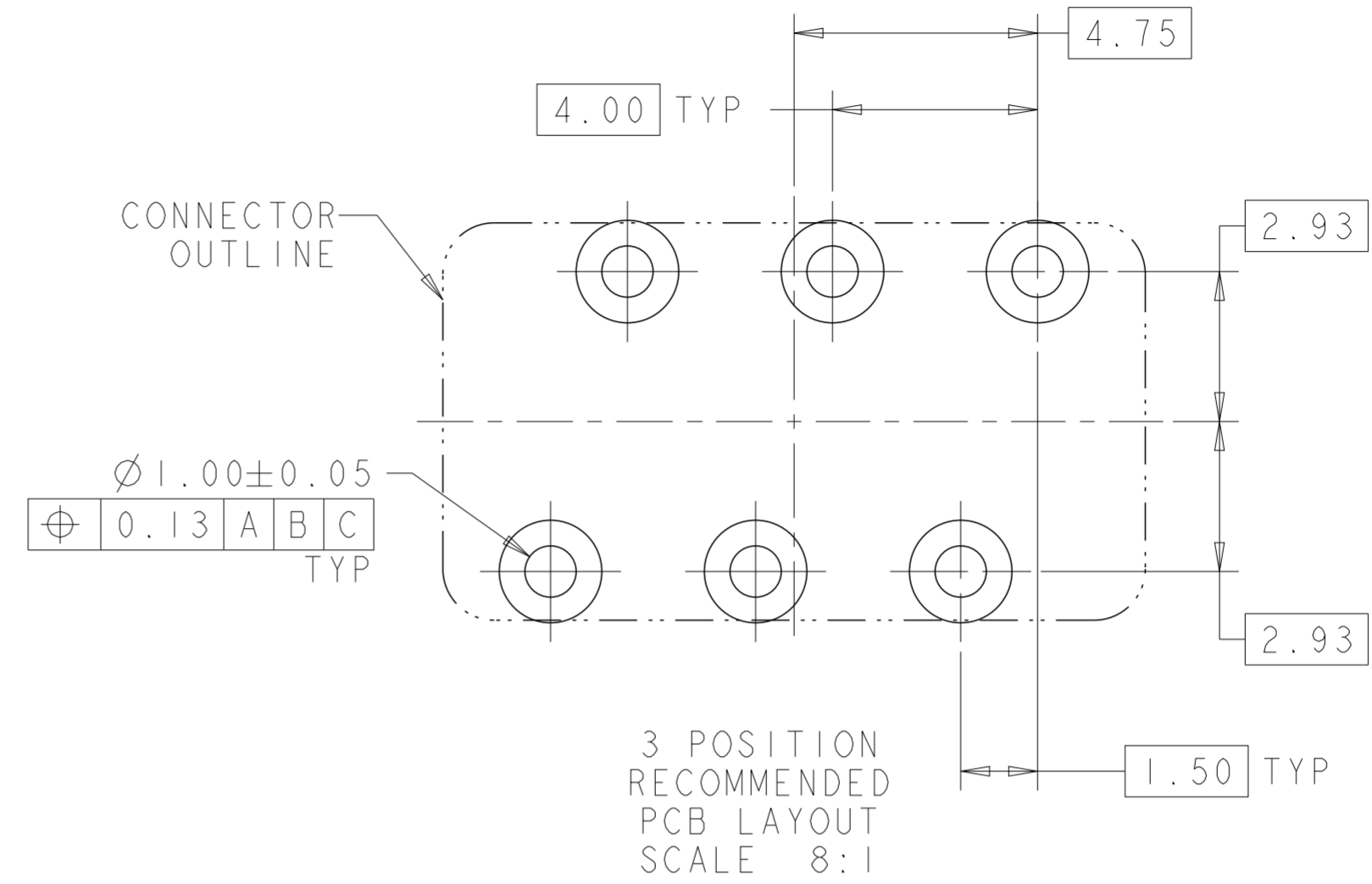
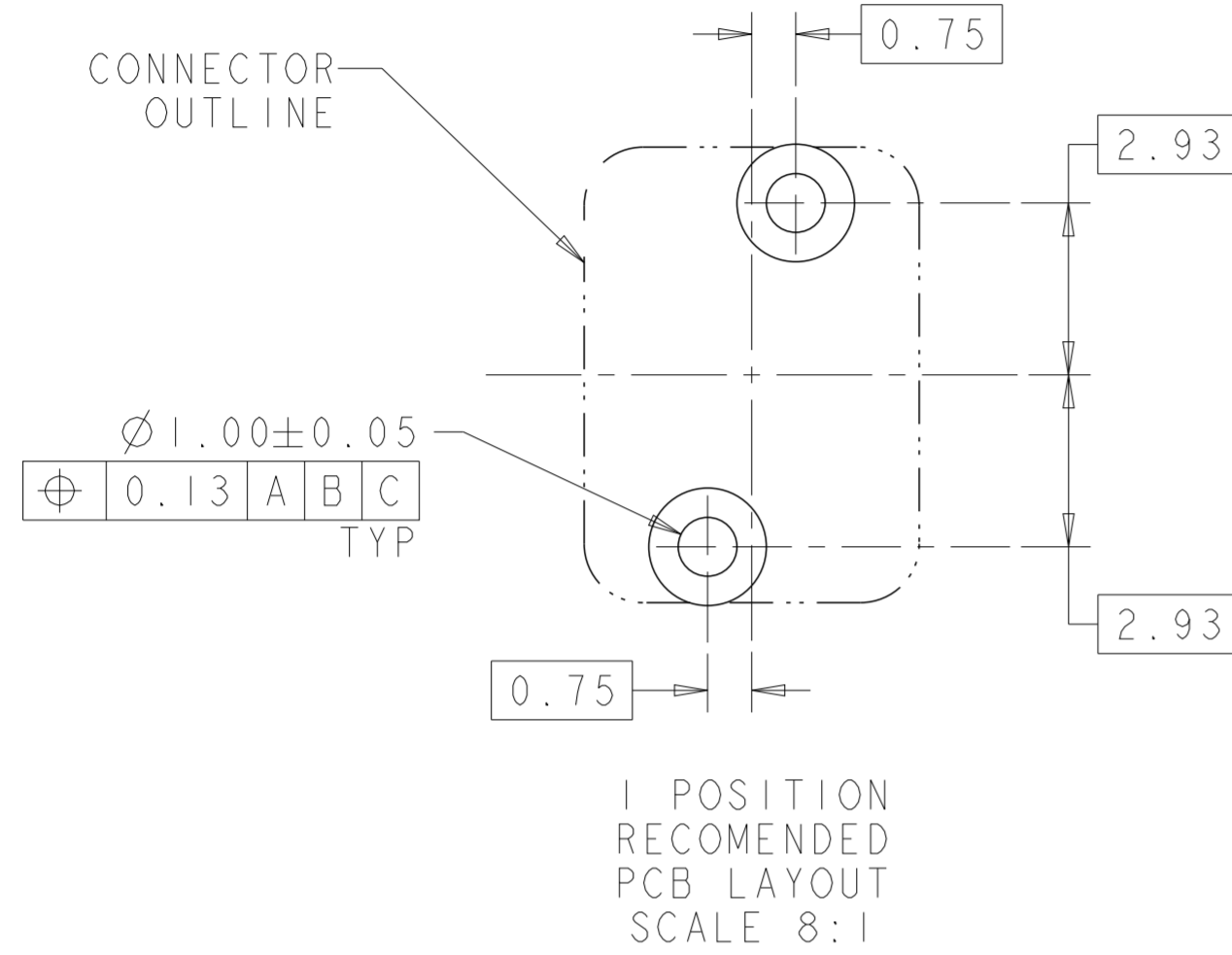
ASSEMBLY, IDC SSL CONNECTOR, THROUGH HOLE, CLOSED END

108-2404
 114-13266

SIZE: A2 CAGE CODE: 00779 DRAWING NO: C-2106489

Customer Drawing SCALE: 8:1 SHEET 1 OF 3 REV C

LOC		DIST		REVISIONS			
P	LTR	DESCRIPTION		DATE	DWN	APVD	
-	-	SEE SHEET 1		-	-	-	



THIS DRAWING IS A CONTROLLED DOCUMENT.		DWN C DAILY 11 JUN 2009	TE Connectivity	
		CHK O QSAGIE 11 JUN 2009		
DIMENSIONS:	TOLERANCES UNLESS OTHERWISE SPECIFIED:	APVD -	NAME ASSEMBLY, IDC SSL CONNECTOR, THROUGH HOLE, CLOSED END	
mm	0 PLC ± 1 PLC ±0.5 2 PLC ±0.13 3 PLC ± 4 PLC ±	PRODUCT SPEC 108-2404	SIZE A200779	
	ANGLES ±	APPLICATION SPEC 114-13266	DRAWING NO C-2106489	
MATERIAL	FINISH	WEIGHT -	RESTRICTED TO -	
material_2	finish_spec_2	Customer Drawing	SCALE 8:1	SHEET 1 OF 3