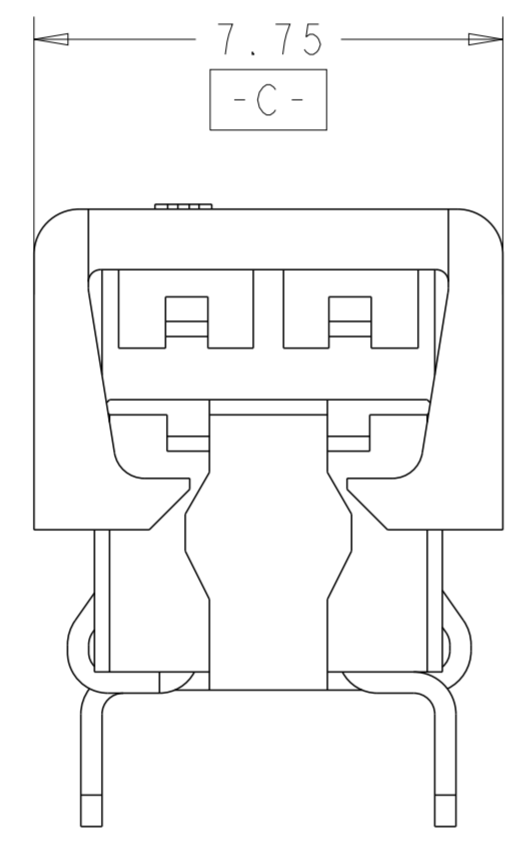


THIS DRAWING IS UNPUBLISHED. RELEASED FOR PUBLICATION 20  
 © COPYRIGHT 20 BY - ALL RIGHTS RESERVED.

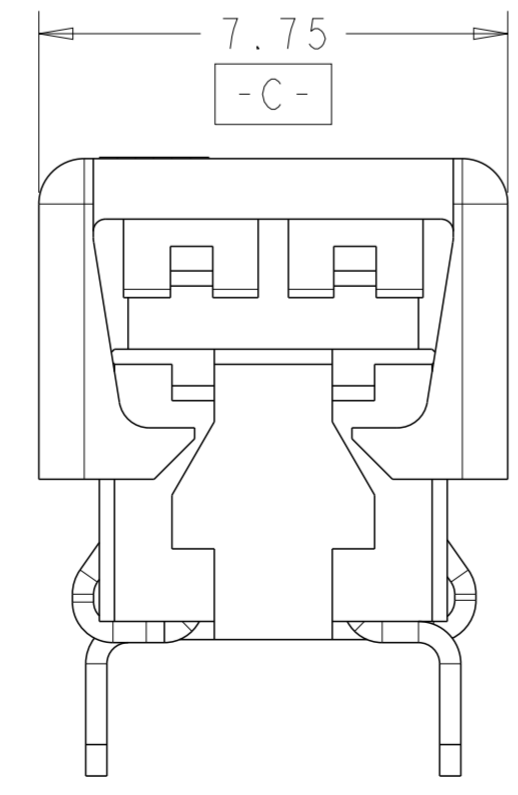
LOC	DIST	REVISIONS					
CM	00	P	LTR	DESCRIPTION	DATE	DWN	APVD
		A1		REVISED PER ECR-12-003555	19APR2012	RS	DD
		A2		REVISED PER ECR-12-016877	20OCT2012	RS	DD
		B		REVISED PER ECR-15-004054	28JUL2015	RS	DD
		C		REVISED PER ECR-15-017995	18DEC2015	RS	DD



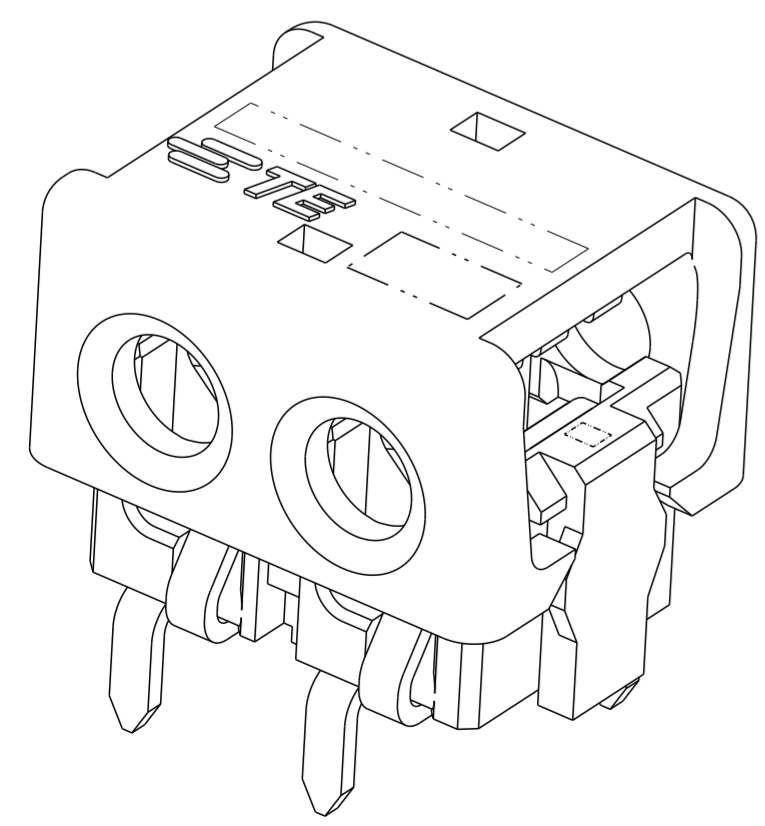
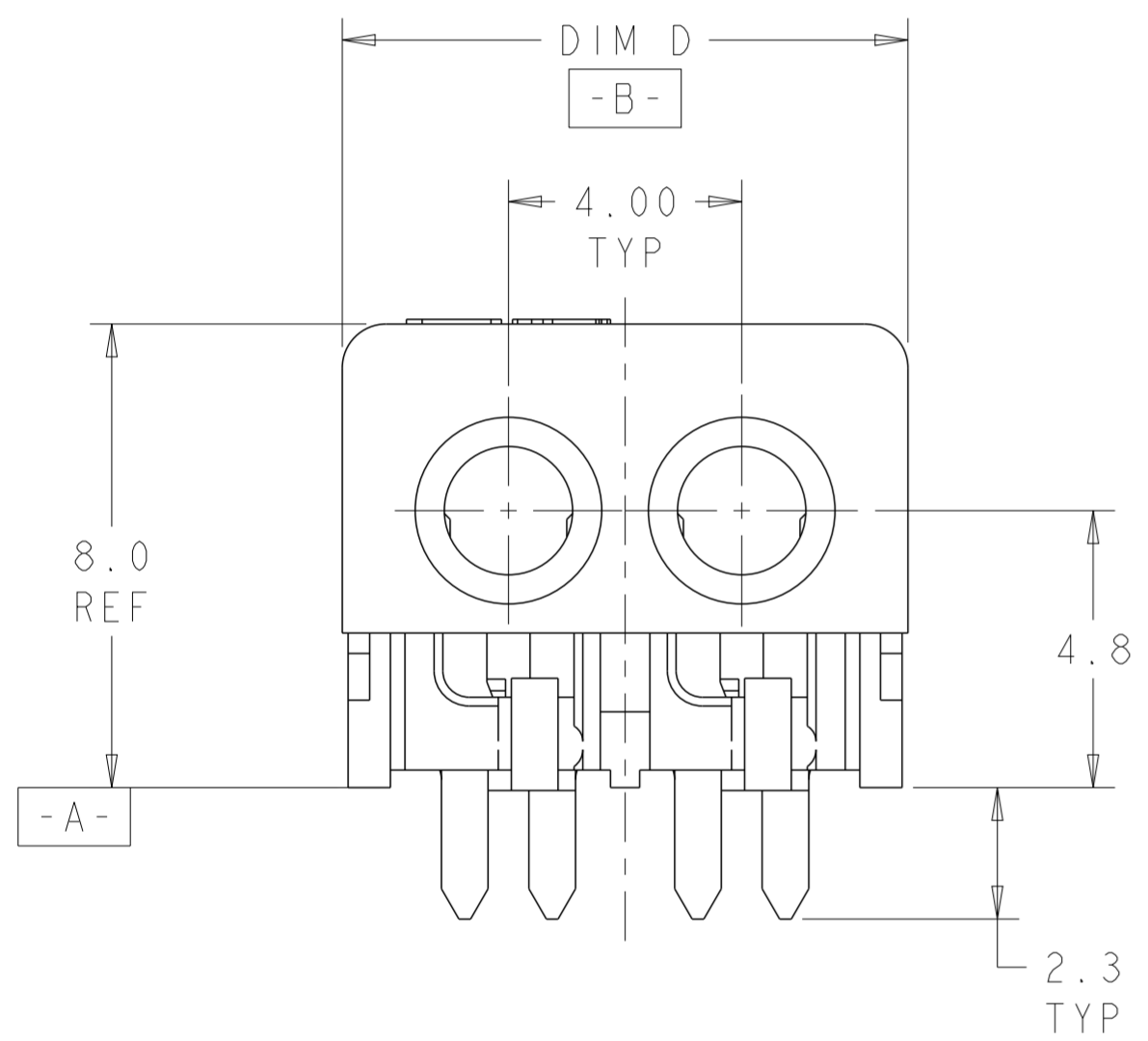
2 POSITION SHOWN AS SHIPPED



FOR 2, 3 AND 4 POSITIONS



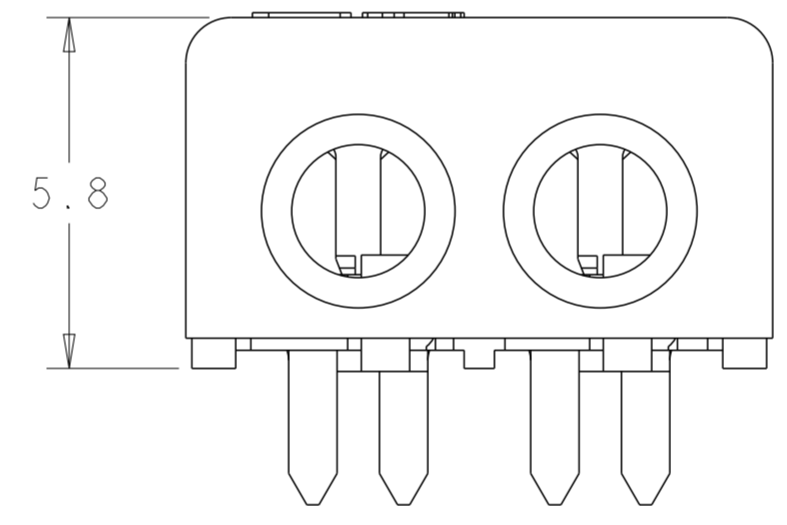
FOR 1 POSITION ONLY



- 1. MATERIALS AND FINISH:
  - HOUSING: LCP, COLOR: NATURAL
  - CONTACTS: COPPER ALLOY, FINISH: Sn OVER Ni

- 2. COMPLY WITH DIRECTIVE 2002/95/EC (ROHS)
- 3. 18-24AWG SOLID OR STRANDED WIRE. PLEASE REFER TO APPLICATION SPEC 114-13266 FOR RECOMMENDED STRAND COUNT.
  - 18 AWG MAX INSULATION OD 2.20
  - 20 AWG MAX INSULATION OD 1.90
  - 22 AWG MAX INSULATION OD 1.70
  - 24 AWG MAX INSULATION OD 1.45
- 4. PACKAGE IN TAPE AND REEL PER EIA-481 SPECIFICATION

- 5. WIRE SIZE MARKING IN APPROXIMATE LOCATION SHOWN.
- 6. COLOR CODE MARKING, STRAIGHT LINE.
- 7. ONE POSITION ASSEMBLY DOES NOT COMPLY WITH EIA 481 SPECIFICATION.



2 POSITION SHOWN CLOSED SCALE 8:1

COLOR CODE	DIM D	WIRE SIZE	POSN	PART NUMBER
RED	17.70	24 AWG	4	3-2106751-4
	13.70	24 AWG	3	3-2106751-3
	9.70	24 AWG	2	3-2106751-2
	5.70	24 AWG	1	3-2106751-1
GREEN	17.70	22 AWG	4	2-2106751-4
	13.70	22 AWG	3	2-2106751-3
	9.70	22 AWG	2	2-2106751-2
	5.70	22 AWG	1	2-2106751-1
BLUE	17.70	20 AWG	4	1-2106751-4
	13.70	20 AWG	3	1-2106751-3
	9.70	20 AWG	2	1-2106751-2
	5.70	20 AWG	1	1-2106751-1
YELLOW	17.70	18 AWG	4	2106751-4
	13.70	18 AWG	3	2106751-3
	9.70	18 AWG	2	2106751-2
	5.70	18 AWG	1	2106751-1

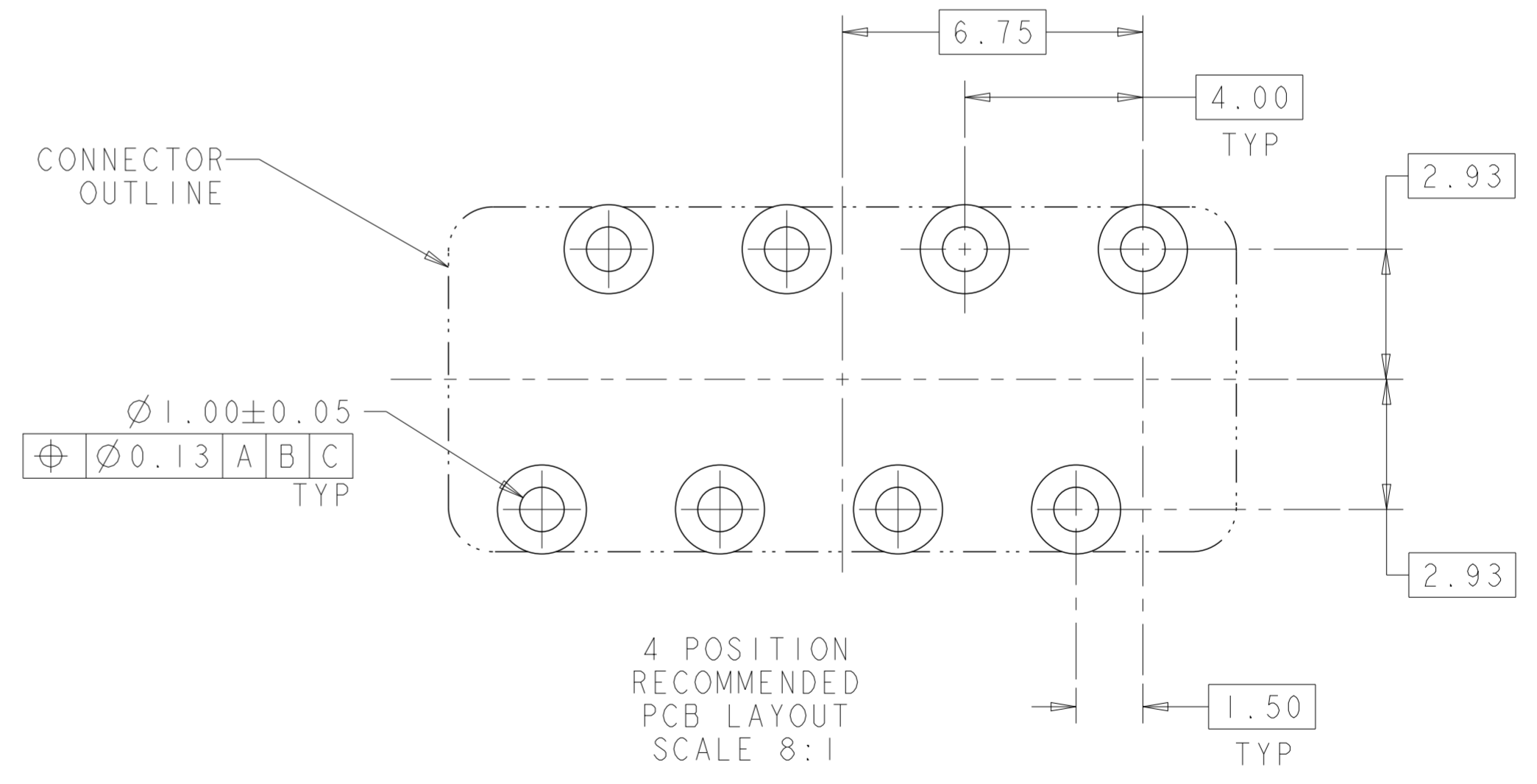
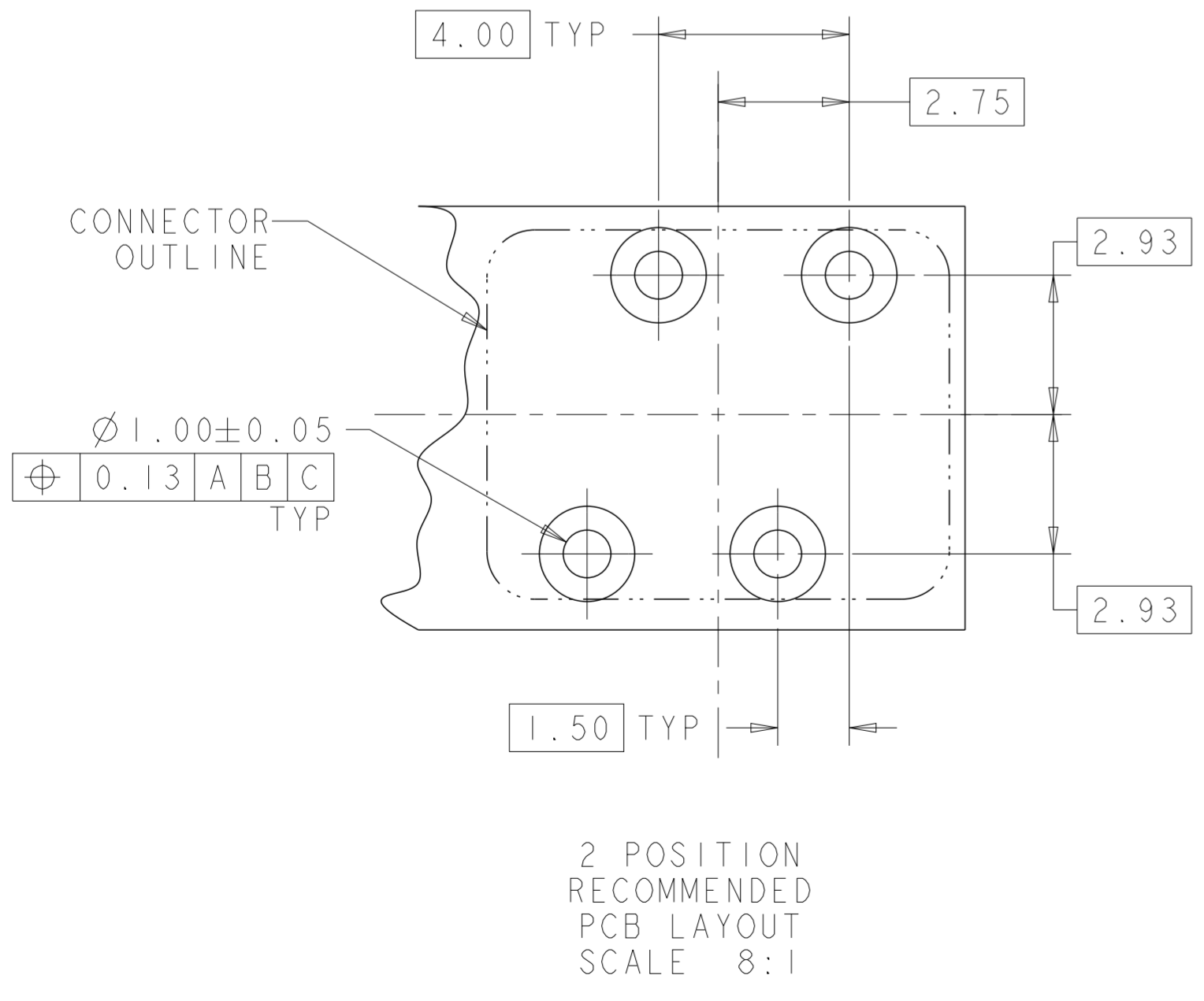
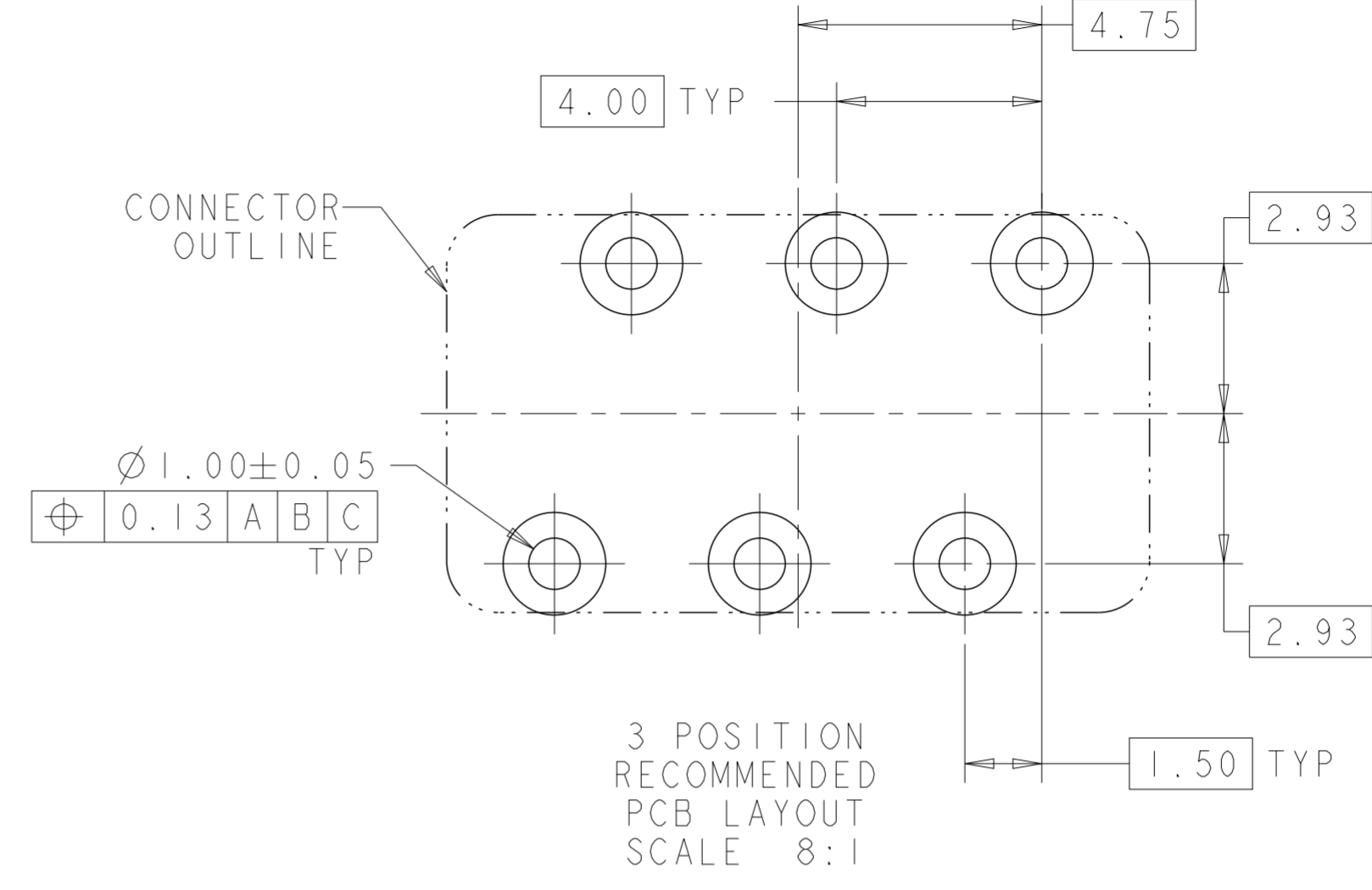
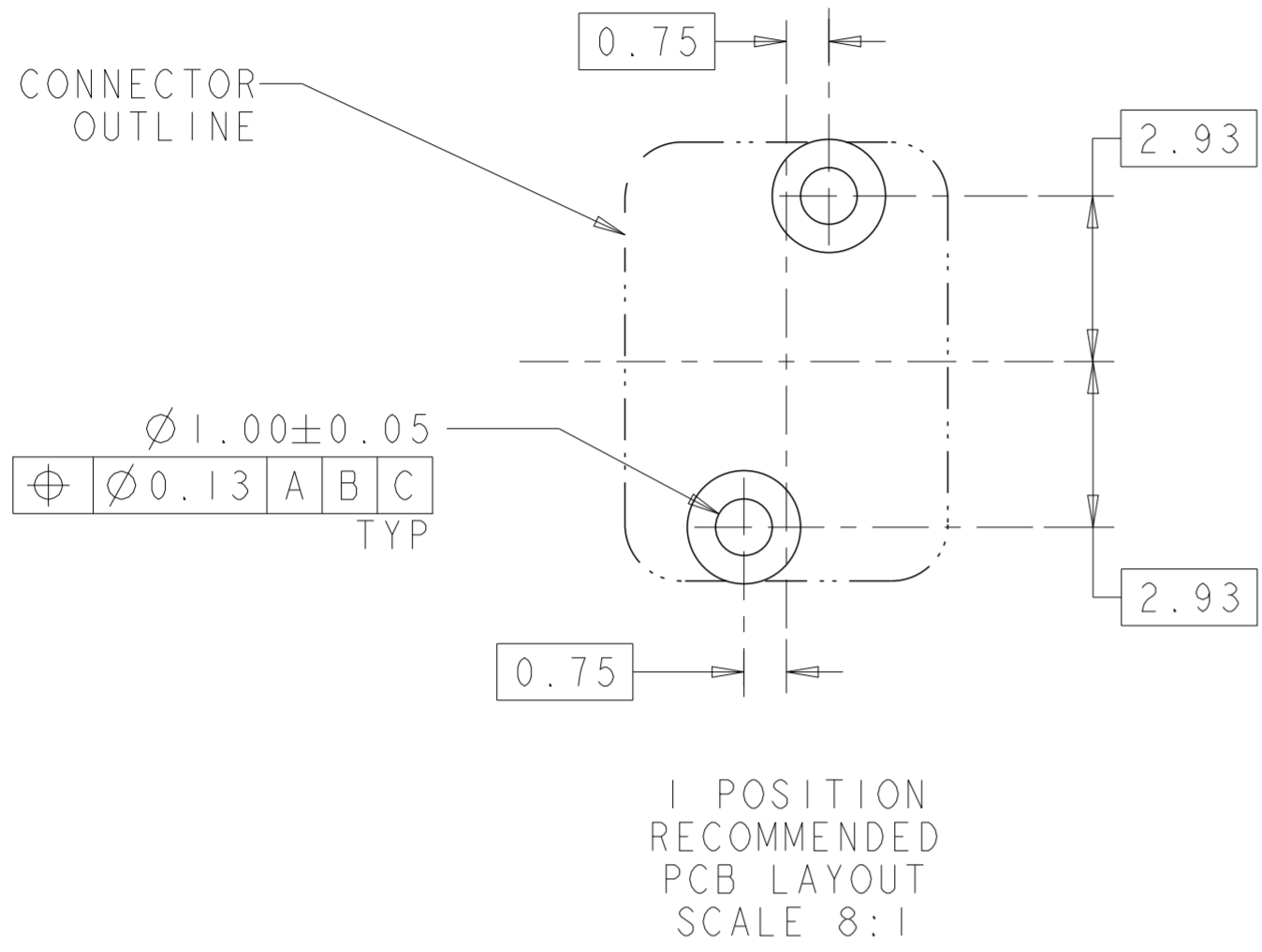
THIS DRAWING IS A CONTROLLED DOCUMENT. DWN: WM VAN SCYOC 26AUG2009  
 CHK: O. OSAGIE 26AUG2009

DIMENSIONS: mm	TOLERANCES UNLESS OTHERWISE SPECIFIED:	APVD: -	NAME: -
0 PLC ±	1 PLC ±0.5	PRODUCT SPEC: 108-2404	ASSEMBLY, IDC SSL CONNECTOR, THROUGH HOLE, PASS THRU
2 PLC ±0.13	3 PLC ±	APPLICATION SPEC: 114-13266	SIZE: A2 CAGE CODE: 00779 DRAWING NO: C-2106751
4 PLC ±	ANGLES ±	WEIGHT: -	RESTRICTED TO: -
MATERIAL: 1	FINISH: 1	Customer Drawing	SCALE: 8:1 SHEET 1 OF 3 REV C

STE TE Connectivity

THIS DRAWING IS UNPUBLISHED. RELEASED FOR PUBLICATION 20  
 © COPYRIGHT 20 BY - ALL RIGHTS RESERVED.

LOC		DIST		REVISIONS			
P	LTR	DESCRIPTION		DATE	DWN	APVD	
-	-	SEE SHEET 1		-	-	-	



THIS DRAWING IS A CONTROLLED DOCUMENT.		DWN 26AUG2009 WM VAN SCYOC	<b>STE</b> TE Connectivity	
		CHK 26AUG2009 O OSAGIE		
DIMENSIONS:	TOLERANCES UNLESS OTHERWISE SPECIFIED:	APVD -	NAME ASSEMBLY, IDC SSL CONNECTOR, THROUGH HOLE, PASS THRU	
mm	0 PLC ± 1 PLC ±0.5 2 PLC ±0.13 3 PLC ± 4 PLC ±	PRODUCT SPEC 108-2404	SIZE CAGE CODE DRAWING NO	
	ANGLES ±	APPLICATION SPEC 114-13266	A200779 C-2106751	
MATERIAL	FINISH	WEIGHT -	RESTRICTED TO	
material_2	finish_spec_2	Customer Drawing	SCALE 8:1	SHEET 1 OF 3 REV C