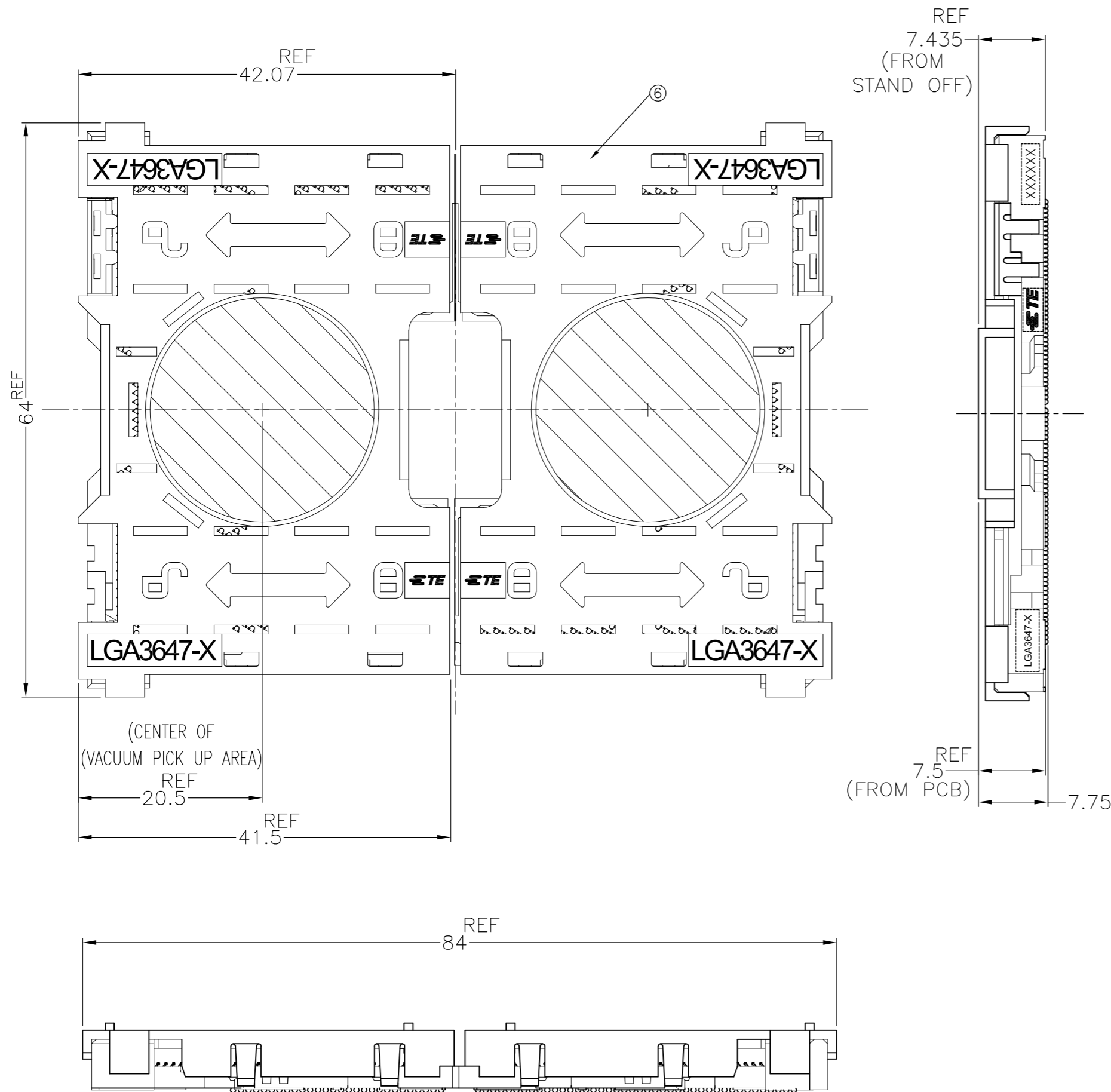


THIS DRAWING IS UNPUBLISHED. RELEASED FOR PUBLICATION  
 © COPYRIGHT - Tyco Electronics JAPAN G.K. ALL RIGHTS RESERVED.

LOC	DIST	REVISIONS					
		P	LTR	DESCRIPTION	DATE	DWN	APVD
ES	-	C		ECR-17-006884	12MAY2017	B.L	C.W



1. MATERIAL

- ① HOUSING : HIGH TEMP, THERMO-PLASTIC, UL94V-0, BLACK
  - ② CONTACT : COPPER ALLOY  
FINISH : Au PL. SHOW AS  $\Delta$  AT CONTACT AREA  
ON OVERALL OVER Ni UNDER PL. 0.00127 MIN.
  - ③ SOLDER BALL : Sn/Ag/Cu
  - ④ KEY HSG LEFT : HIGH TEMP. THERMO-PLASTIC, UL94V-0, BLACK
  - ⑤ KEY HSG RIGHT: HIGH TEMP. THERMO-PLASTIC, UL94V-0, P0 YELLOW, P1 NATURAL
  - ⑥ CAP : HIGH TEMP. THERMO-PLASTIC, UL94V-0, NATURAL
- $\Delta$  INDICATED DATE CODE , TYCO LOGO, PRODUCT NAME ON THE HSG  
 $\Delta$  FOR NORMAL ORDER, LEFT AND RIGHT SEGMENT SHOULD ORDER AT SAME TIME

LGA3647-1 SOCKET P1				LGA3647-0 SOCKET P0				PRODUCT NAME
30u Au PLATING		15u Au PLATING		30u Au PLATING		15u Au PLATING		
LGA3647-1 RIGHT SEGMENT	LGA3647-1 LEFT SEGMENT	LGA3647-1 RIGHT SEGMENT	LGA3647-1 LEFT SEGMENT	LGA3647-0 RIGHT SEGMENT	LGA3647-0 LEFT SEGMENT	LGA3647-0 RIGHT SEGMENT	LGA3647-0 LEFT SEGMENT	ASSY PART NUMBER
2822980-4	1-2822980-4	2822980-2	1-2822980-2	2822980-3	1-2822980-3	2822980-1	1-2822980-1	

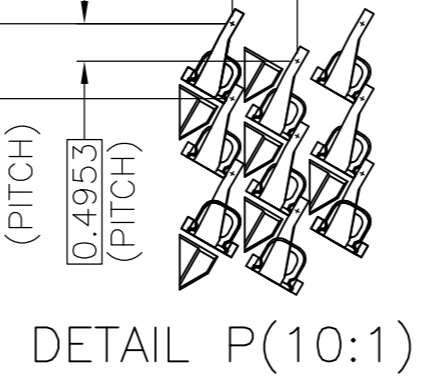
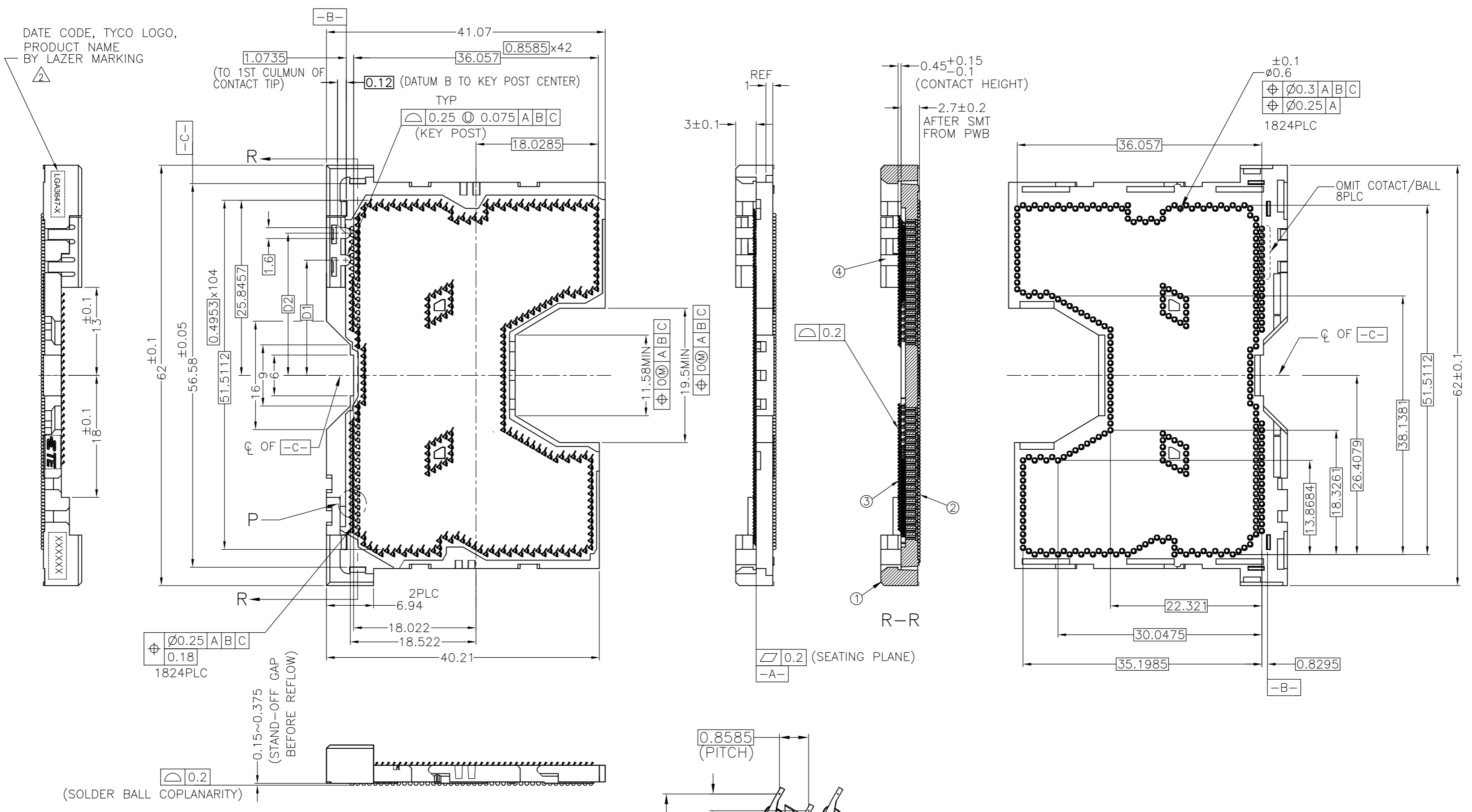
14.5	21	17	1						2-2129710-8
		16		1					2-2129710-7
	21	17			1				2-2129710-6
		16				1			2-2129710-5
									2-2129710-4
									2-2129710-3
									2-2129710-2
									2-2129710-1

AFTER SMT CONDITION (WITH CAP)  
 DEMONSTRATION BY SOCKET P1,LGA3647-1

THIS DRAWING IS A CONTROLLED DOCUMENT.		DWN T.KUO 04MAR2015	TE Connectivity	
DIMENSIONS: mm		CHK M.CHAO 04MAR2015		
TOLERANCES UNLESS OTHERWISE SPECIFIED:		APVD M.CHAO 04MAR2015	NAME	
0-PLC ± 1-PLC ± ±0.3 2-PLC ± ±3 3-PLC ± ±3 4-PLC ± ± ANGLES ± -		PRODUCT SPEC 108-115115	SOCKET ASSY LGA3647-X	
MATERIAL		APPLICATION SPEC 114-115011	SIZE A2	CAGE CODE 00779
FINISH		WEIGHT -	DRAWING NO C=2129710	RESTRICTED TO -
CUSTOMER DRAWING			SCALE NTS	SHEET 1 OF 7
			REV C	

THIS DRAWING IS UNPUBLISHED. RELEASED FOR PUBLICATION  
 © COPYRIGHT - Tyco Electronics JAPAN G.K. ALL RIGHTS RESERVED.

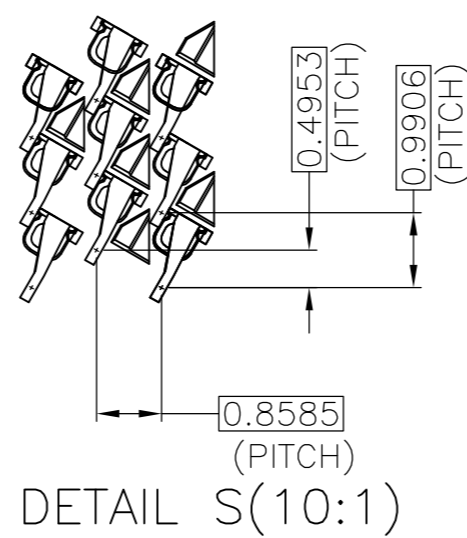
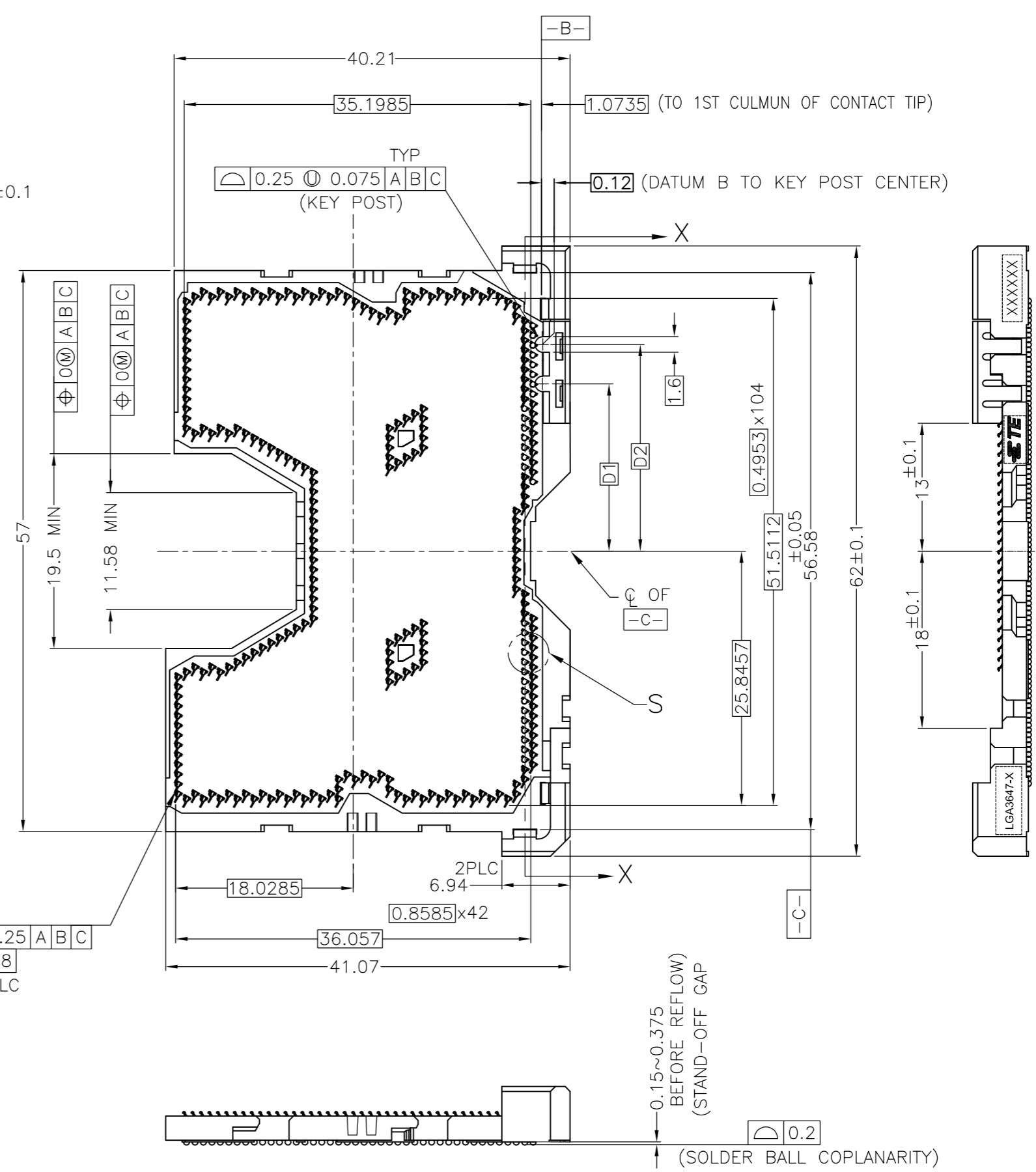
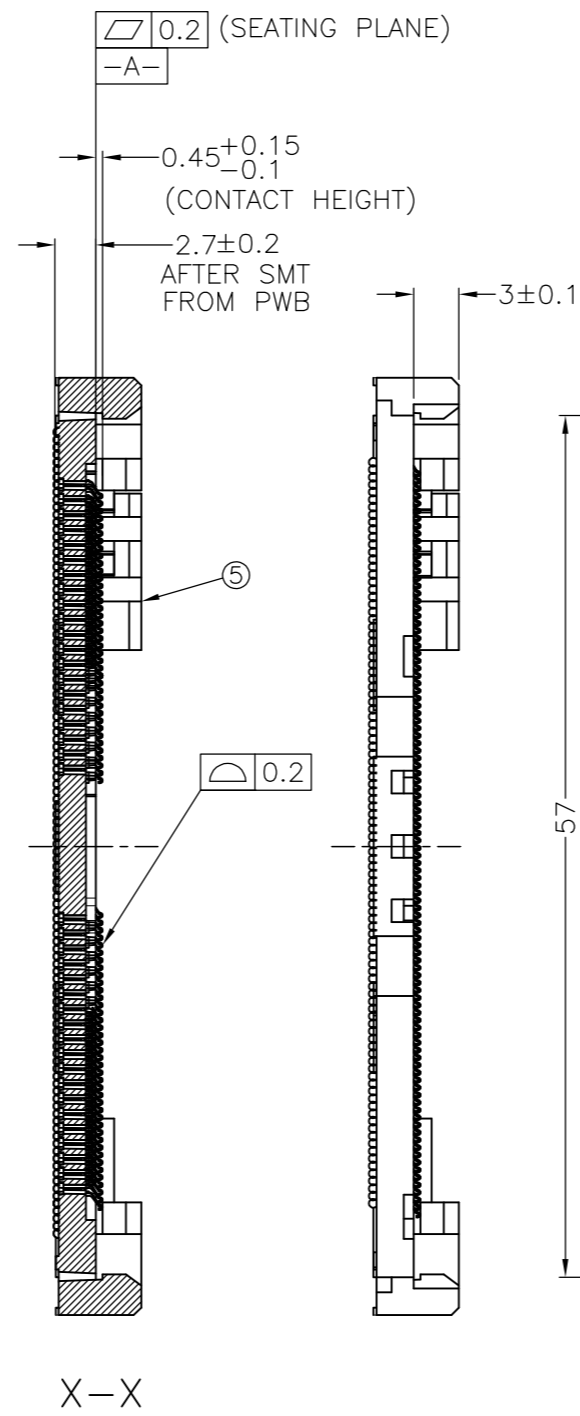
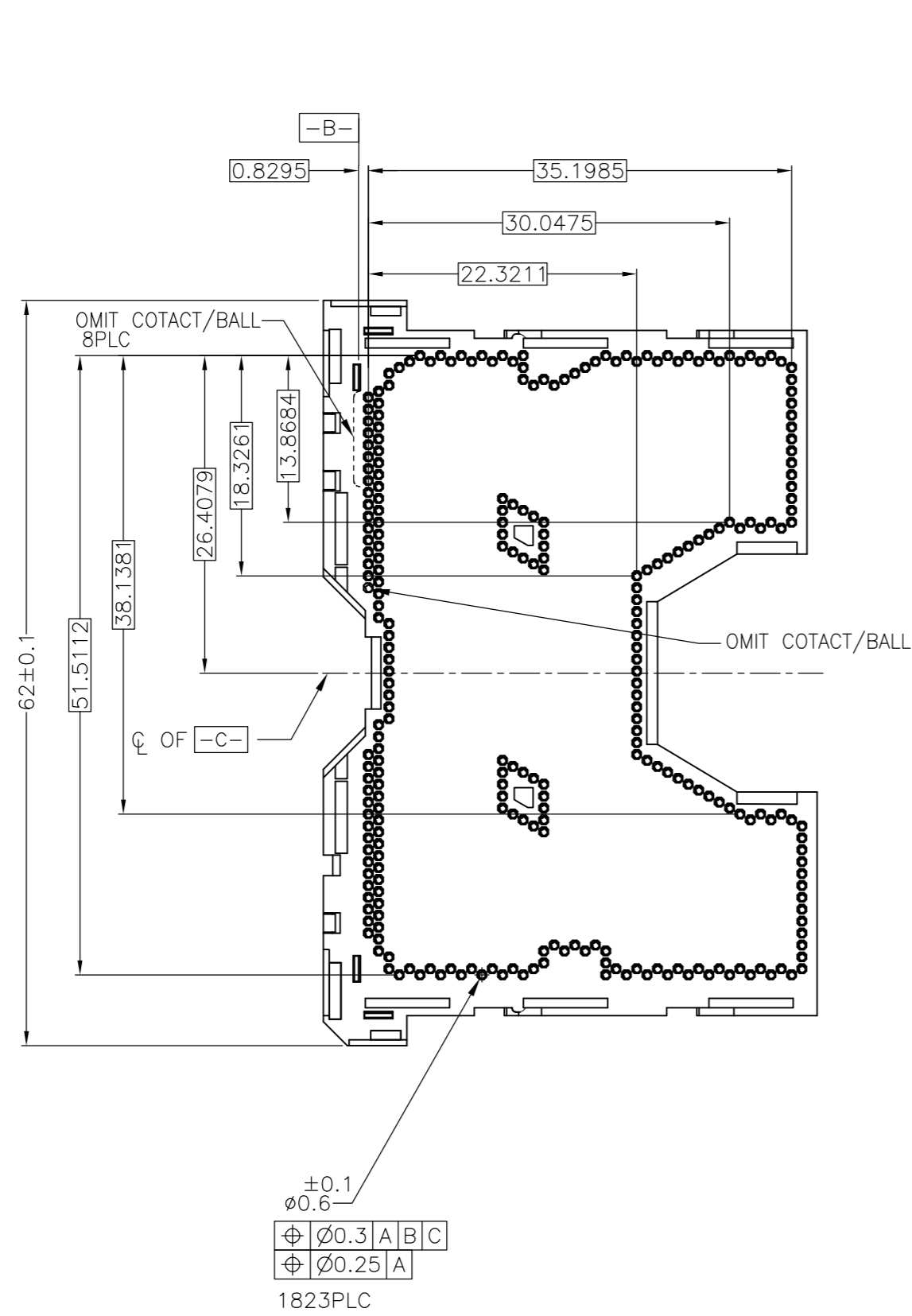
LOC	DIST	REVISIONS					
		P	LTR	DESCRIPTION	DATE	DWN	APVD
ES	-	-	-	SEE SHEET 1	-	-	-



THESE VIEW DON'T SHOW CAP BEFORE SMT CONDITION  
 LGA3647-1 LEFT SIDE ASSY  
 1-2822980-\* AS SHOWN

THIS DRAWING IS A CONTROLLED DOCUMENT.		DWN	-	TE Connectivity NAME SOCKET ASSY LGA3647-X		
DIMENSIONS: mm		CHK	-			
TOLERANCES UNLESS OTHERWISE SPECIFIED:		APVD	-	PRODUCT SPEC	SIZE	A2
0-PLC ±		APPLICATION SPEC	-	WEIGHT	CAGE CODE	00779
1-PLC ± ±0.3		WEIGHT	-	DRAWING NO	DRAWING NO	C=2129710
2-PLC ± ±3		CUSTOMER DRAWING	-	SCALE	SHEET	2 OF 7
3-PLC ± ±3		SCALE	NTS	REV	C	
4-PLC ± ±						
ANGLES ± ±						
FINISH						

LOC		DIST		REVISIONS			
P	LTR	DESCRIPTION	DATE	DWN	APVD		
ES	-	SEE SHEET 1	-	-	-		

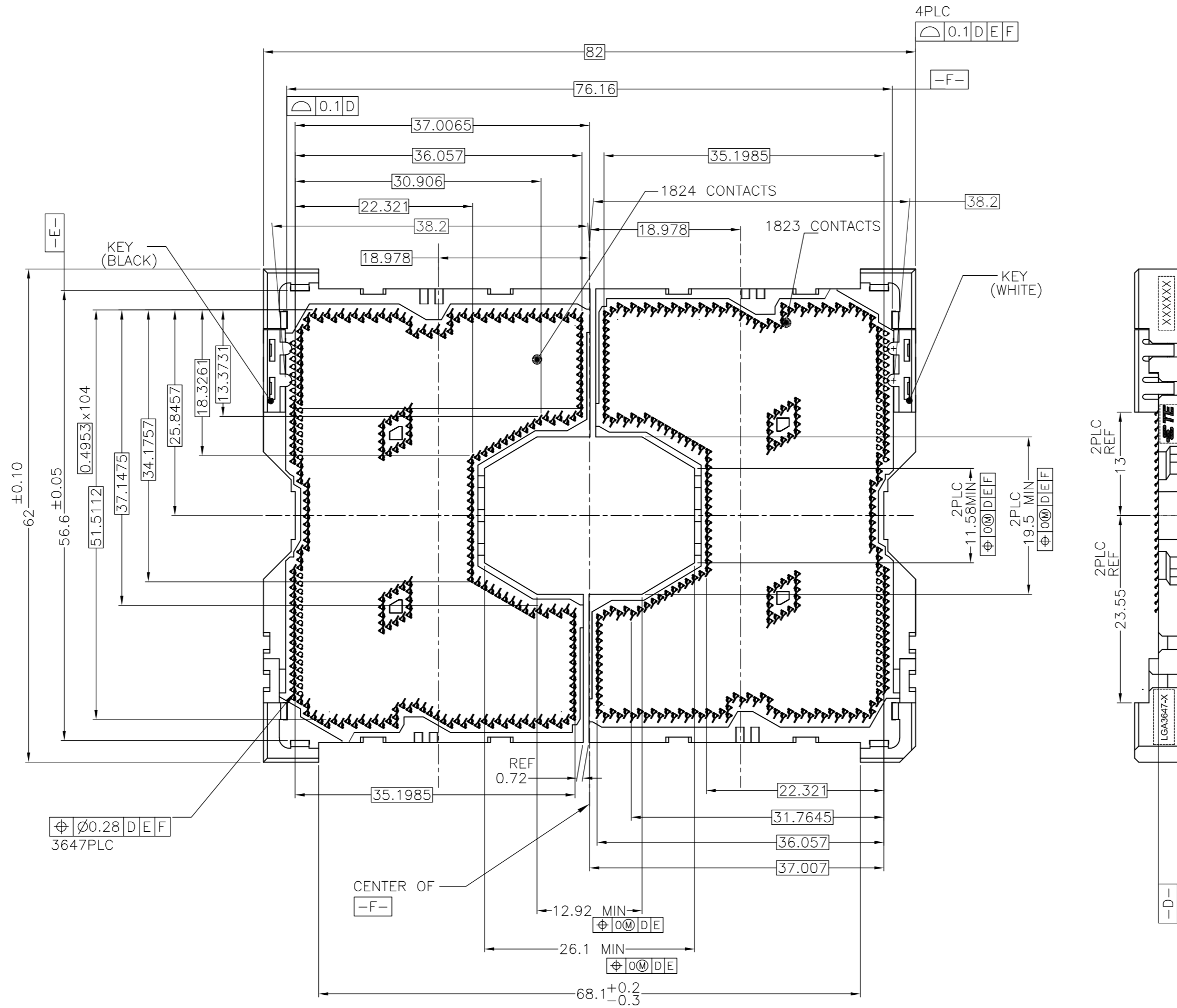


THESE VIEW DON'T SHOW CAP BEFORE SMT CONDITION LGA3647-1 RIGHT SIDE ASSY 2822980-\* AS SHOWN

THIS DRAWING IS A CONTROLLED DOCUMENT.		DWN	TE Connectivity	
DIMENSIONS: mm		CHK	NAME	
TOLERANCES UNLESS OTHERWISE SPECIFIED:		APVD	SOCKET ASSY LGA3647-X	
0-PLC	±	PRODUCT SPEC	SIZE	CAGE CODE
1-PLC	±0.3	APPLICATION SPEC	A2	00779
2-PLC	±	WEIGHT	DRAWING NO	RESTRICTED TO
3-PLC	±3		C=2129710	
4-PLC	±			
ANGLES	±			
FINISH		CUSTOMER DRAWING	SCALE	SHEET
			NTS	3 OF 7

THIS DRAWING IS UNPUBLISHED. RELEASED FOR PUBLICATION  
 © COPYRIGHT - Tyco Electronics JAPAN G.K. ALL RIGHTS RESERVED.

LOC	DIST	REVISIONS					
		P	LTR	DESCRIPTION	DATE	DWN	APVD
ES	-	-	-	SEE SHEET 1	-	-	-



AFTER SMT CONDITION

THIS DRAWING IS A CONTROLLED DOCUMENT.		DWN	-	 TE Connectivity	NAME SOCKET ASSY LGA3647-X
DIMENSIONS: mm		CHK	-		
 TOLERANCES UNLESS OTHERWISE SPECIFIED: 0-PLC ± 1-PLC ± 2-PLC ± 3-PLC ± 4-PLC ± ANGLES ±		APVD	-		
MATERIAL		FINISH	-		
-		-	-	PRODUCT SPEC	-
-		-	-	APPLICATION SPEC	-
-		-	-	WEIGHT	-
-		-	-	CUSTOMER DRAWING	-
SIZE	CAGE CODE	DRAWING NO	RESTRICTED TO		
A2	00779	C=2129710	-		
SCALE	SHEET	REV			
NTS	4 OF 7	C			

THIS DRAWING IS UNPUBLISHED. RELEASED FOR PUBLICATION  
 © COPYRIGHT - Tyco Electronics JAPAN G.K. ALL RIGHTS RESERVED.

LOC	DIST	REVISIONS					
ES	-	P	LTR	DESCRIPTION	DATE	DWN	APVD
		-	-	SEE SHEET 1	-	-	-

D

C

B

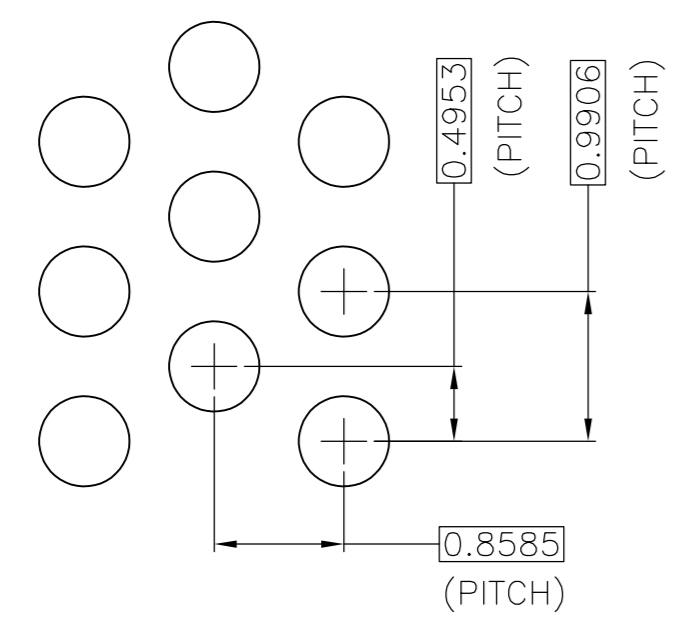
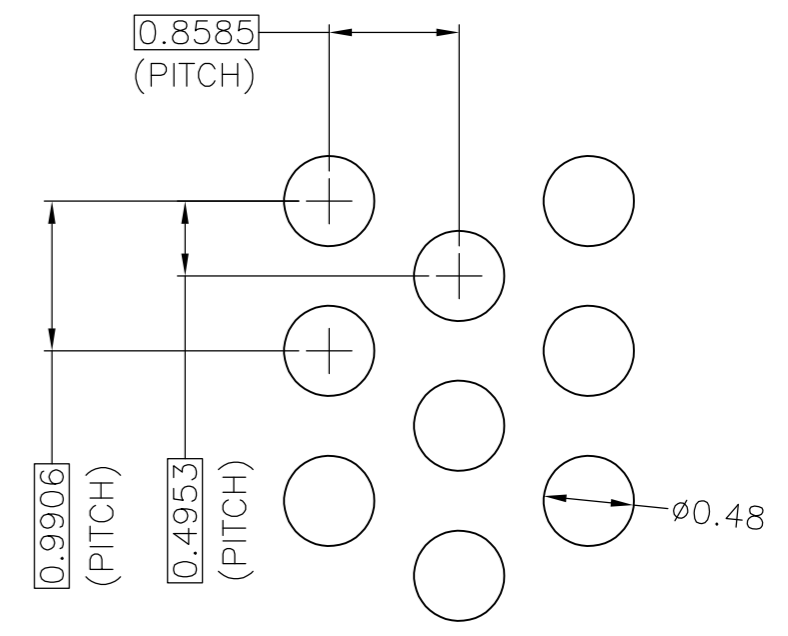
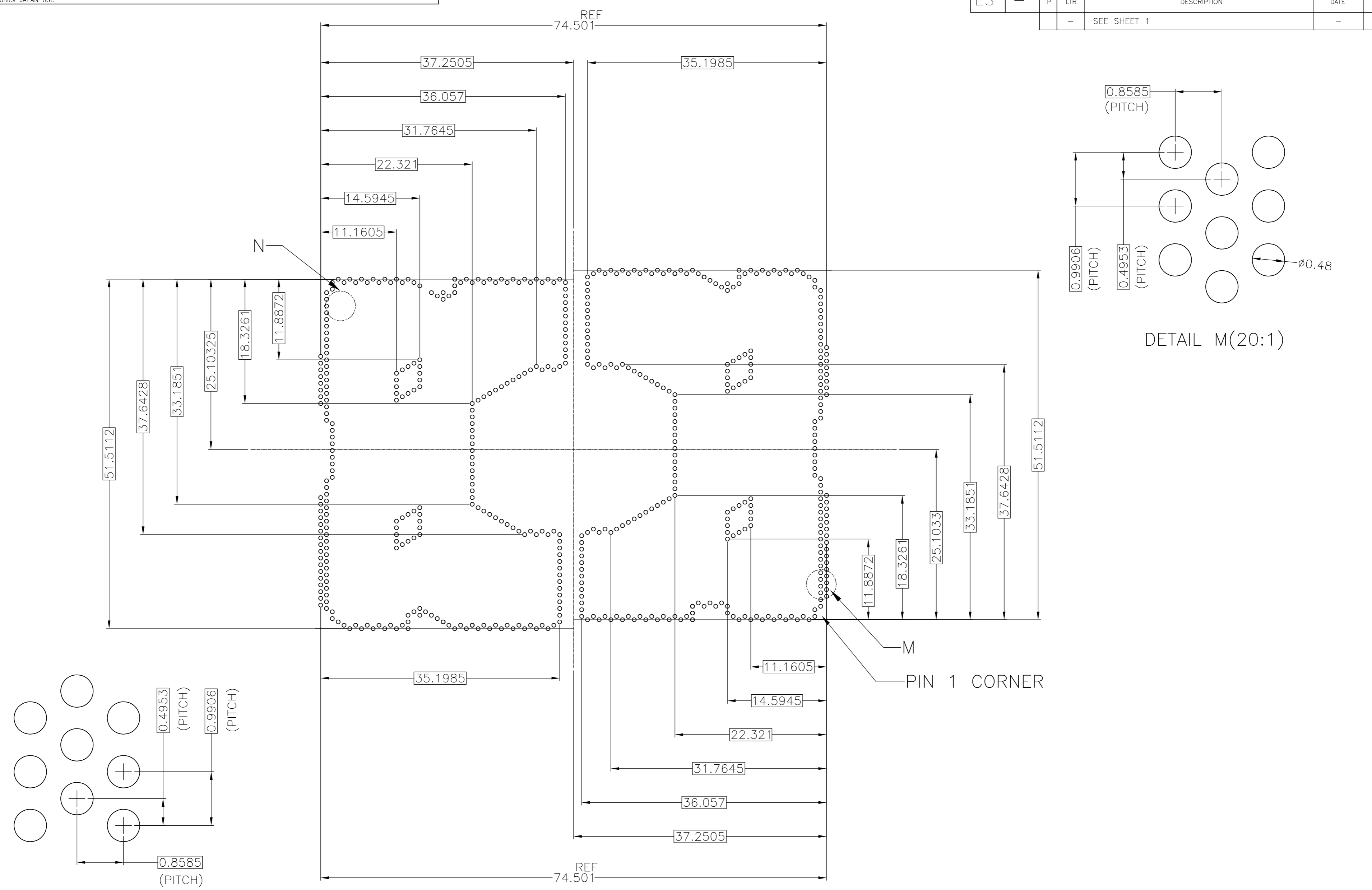
A

D

C

B

A



DETAIL N(20:1)

THIS DRAWING IS A CONTROLLED DOCUMENT.		DWN	-		
DIMENSIONS: mm		CHK	-		
TOLERANCES UNLESS OTHERWISE SPECIFIED:		APVD	-		
0-PLC ±		NAME			
1-PLC ± ±0.3		PRODUCT SPEC			
2-PLC ± ±3		APPLICATION SPEC			
3-PLC ±		SIZE	CAGE CODE	DRAWING NO	RESTRICTED TO
4-PLC ±		A2	00779	C=2129710	-
ANGLES ±		CUSTOMER DRAWING			
FINISH		SCALE	SHEET	REV	
		NTS	5 of 7	C	



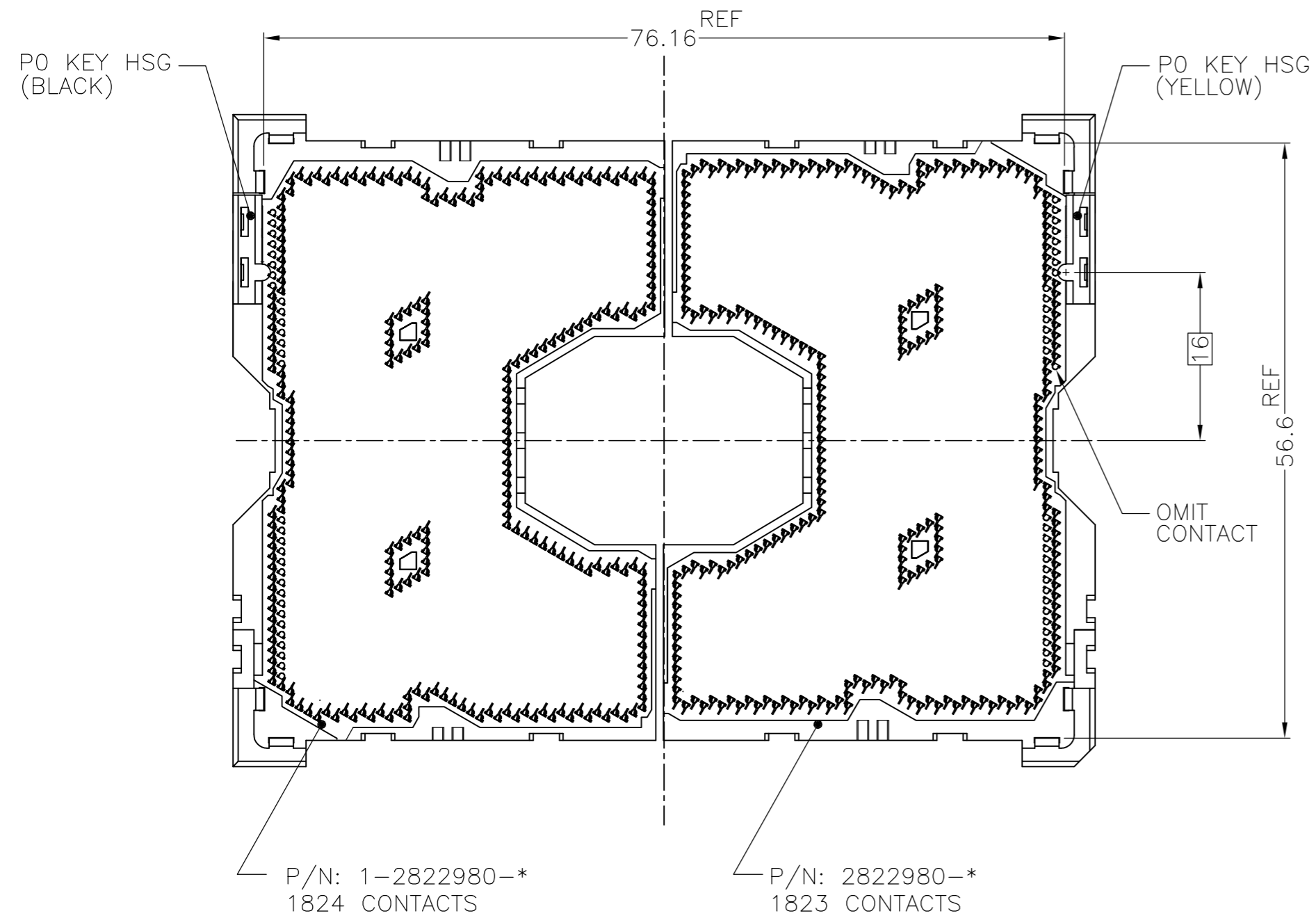
SOCKET ASSY  
LGA3647-X

2129710

THIS DRAWING IS UNPUBLISHED. RELEASED FOR PUBLICATION  
 © COPYRIGHT - Tyco Electronics JAPAN G.K. ALL RIGHTS RESERVED.

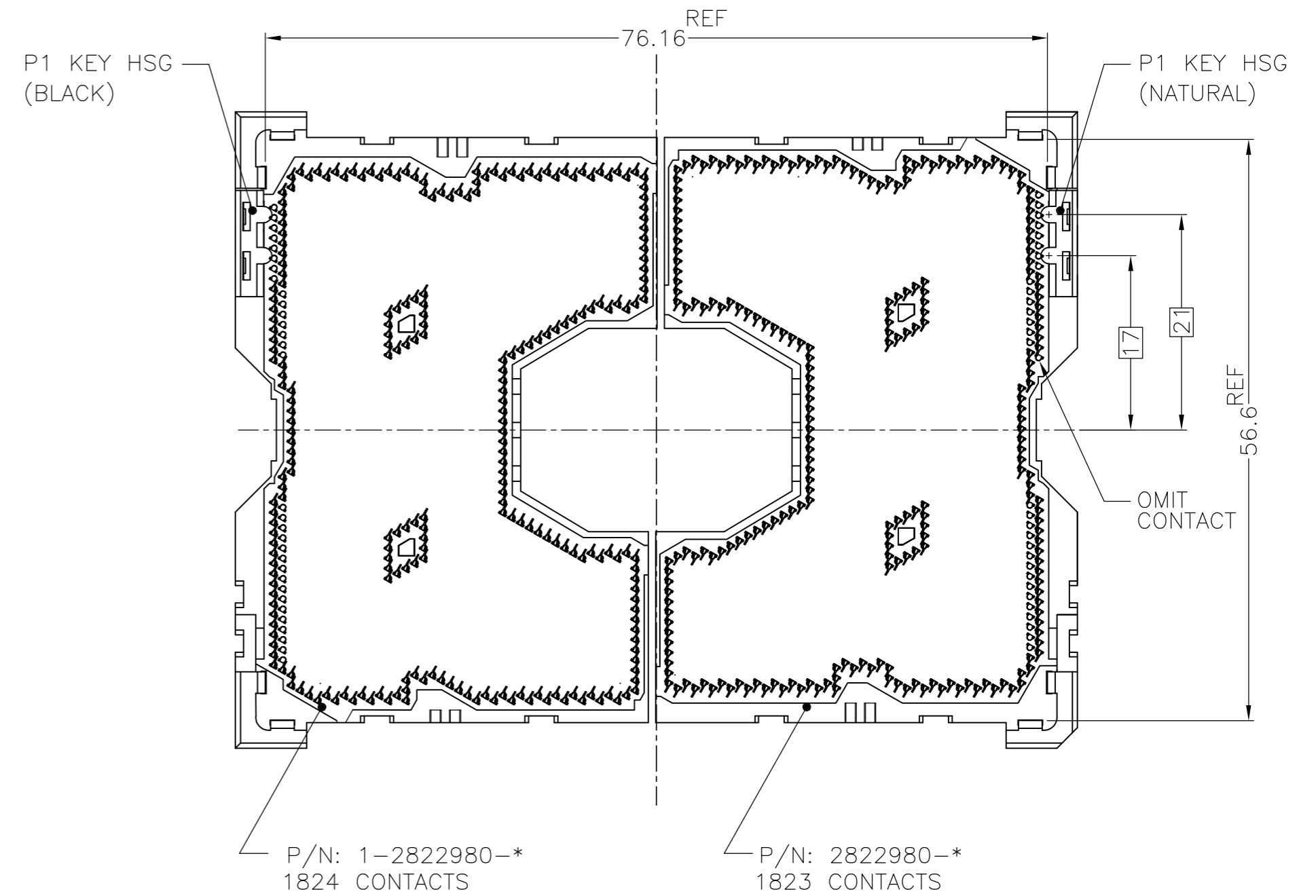
LOC	DIST	REVISIONS					
		P	LTR	DESCRIPTION	DATE	DWN	APVD
ES	-	-	-	SEE SHEET 1	-	-	-

SOCKET P0,LGA3647-0 AS SHOWN



LGA3647-0 AS SHOWN  
(KIT P/N: 2-2822979-\*)

SOCKET P1,LGA3647-1 AS SHOWN



LGA3647-1 AS SHOWN  
(KIT P/N: 2-2822979-\*)

LGA3647-X POST SMT CONDITION  
(PCB IS NOT SHOWN)

THIS DRAWING IS A CONTROLLED DOCUMENT.		DWN	TE Connectivity		
DIMENSIONS: mm		CHK	NAME		
TOLERANCES UNLESS OTHERWISE SPECIFIED:		APVD	SOCKET ASSY LGA3647-X		
0-PLC ±		PRODUCT SPEC	SIZE	CAGE CODE	DRAWING NO
1-PLC ± ±0.3		APPLICATION SPEC	A2	00779	C=2129710
2-PLC ± ±3		WEIGHT	RESTRICTED TO		
3-PLC ± ±		CUSTOMER DRAWING	-		
4-PLC ± ±		SCALE	NTS	SHEET	6 OF 7
FINISH		REV	C		