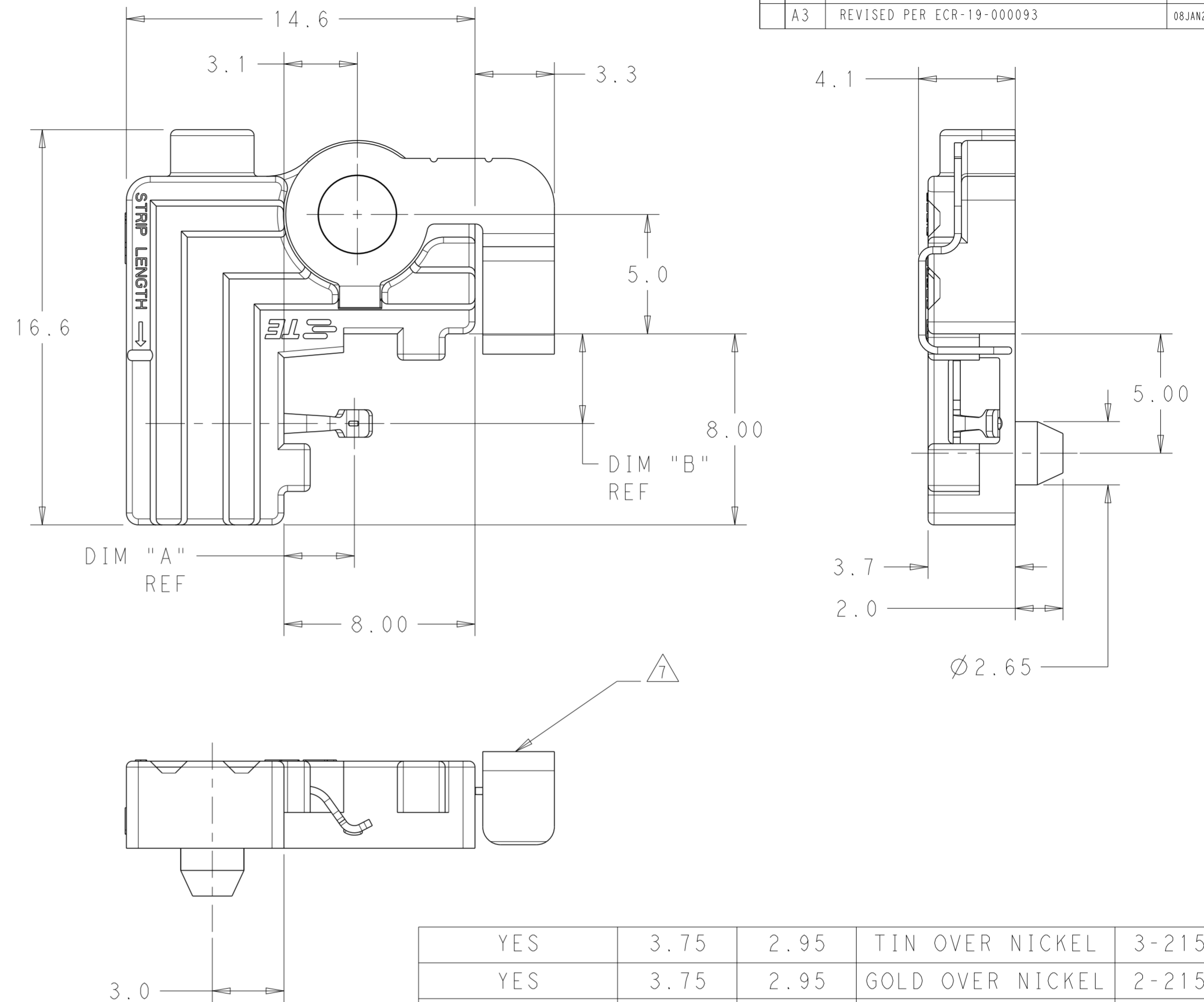


THIS DRAWING IS UNPUBLISHED. RELEASED FOR PUBLICATION 20
 © COPYRIGHT 20 BY - ALL RIGHTS RESERVED.

| LOC | | DIST | | REVISIONS | | | |
|-----|-----|---------------------------|-----------|-----------|------|--|--|
| P | LTR | DESCRIPTION | DATE | DWN | APVD | | |
| | A | REVISED PER ECR-15-007373 | 31JUL2015 | RS | DD | | |
| | A1 | REVISED PER ECR-18-010414 | 11JUL2018 | SR | DD | | |
| | A2 | REVISED PER ECR-18-012133 | 01AUG2018 | SR | DD | | |
| | A3 | REVISED PER ECR-19-000093 | 08JAN2019 | SR | DD | | |

NOTES:

- 1. MATERIALS AND FINISH:
 - HOUSING: PBT-GF, COLOR: NATURAL
 - CONTACTS: COPPER ALLOY FINISH: SEE TABLE
 - THERMAL SPRING: STAINLESS STEEL
- 2. MUST COMPLY WITH DIRECTIVE 2002/95/EC (ROHS)
- 3. REFER TO LED MANUFACTURER'S DATASHEET FOR LED DIMENSIONS
- 4. REFER TO LED DATASHEET FOR RECOMMENDED THERMAL INTERFACE MATERIALS
- 5. RECOMMENDED SCREW SIZE: M3 OR #4. TORQUE SCREWS TO 2.5 in-lbf TO 4.0 in-lbf
- 6. WIRE TYPES AND SIZES ACCEPTED
 - 18, 20 AND 22 AWG SOLID WIRE
 - 18 AND 20 AWG PREBOND STRANDED WIRE
 - 18 AWG STRANDED WIRE (16 STRAND COUNT)
 - MAX INSULATION OD: 2.10 MM
 - STRIP LENGTH: 7.5±1.0
- 7. IN APPLICATIONS WHERE THE LED SUBSTRATE IS LESS THAN 1.50MM THICK A THERMAL SPRING IS REQUIRED. AS NOTED IN THE TABLE THE THERMAL SPRINGS WILL BE INSTALLED PRIOR TO SHIPMENT FROM THE TE FACTORY.
- 8. REQUIRES THE USE OF LED WITH GOLD PLATED PADS
- 9. RECOMMENDED PCB PAD AND HEAT SINK LAYOUT FOR LED PANEL APPLICATIONS. THE RECOMMENDED LED HOLDER FOR THESE APPLICATIONS IS PART NUMBER 1-2154857-3. IN APPLICATIONS WHERE THE LED PANEL IS LESS THAN 1.5MM THICK USE 3-2154857-3 WITH THERMAL SPRINGS IF THERMAL PRESSURE FROM THE HOLDER IS REQUIRED.
- 10. IN APPLICATIONS WHERE THE LED SUBSTRATE IS LESS THAN 1.50MM THICK AND A THERMAL SPRING IS NOT USED IT IS THE RESPONSIBILITY OF THE END USER TO ENSURE THAT ADEQUATE SYSTEM THERMAL PERFORMANCE IS ACHIEVED. THE LED HOLDER ALONE WILL NOT PROVIDE ENOUGH FORCE BY ITSELF TO GENERATE A RELIABLE AND STABLE THERMAL SOLUTION FOR THE LED.
- 11. FOR COB-TO-HOLDER CROSS REFERENCE, REFER TO APPLICATION SPECIFICATION 114-32208.



| | | | | |
|----------------|---------|---------|------------------|-------------|
| YES | 3.75 | 2.95 | TIN OVER NICKEL | 3-2154857-3 |
| YES | 3.75 | 2.95 | GOLD OVER NICKEL | 2-2154857-3 |
| YES | 2.25 | 2.00 | GOLD OVER NICKEL | 2-2154857-2 |
| YES | 1.85 | 1.55 | GOLD OVER NICKEL | 2-2154857-1 |
| NO | 3.75 | 2.95 | TIN OVER NICKEL | 1-2154857-3 |
| NO | 2.25 | 2.00 | TIN OVER NICKEL | 1-2154857-2 |
| NO | 3.75 | 2.95 | GOLD OVER NICKEL | 2154857-3 |
| THERMAL SPRING | DIM "B" | DIM "A" | CONTACT PLATING | PART NUMBER |

THIS DRAWING IS A CONTROLLED DOCUMENT.

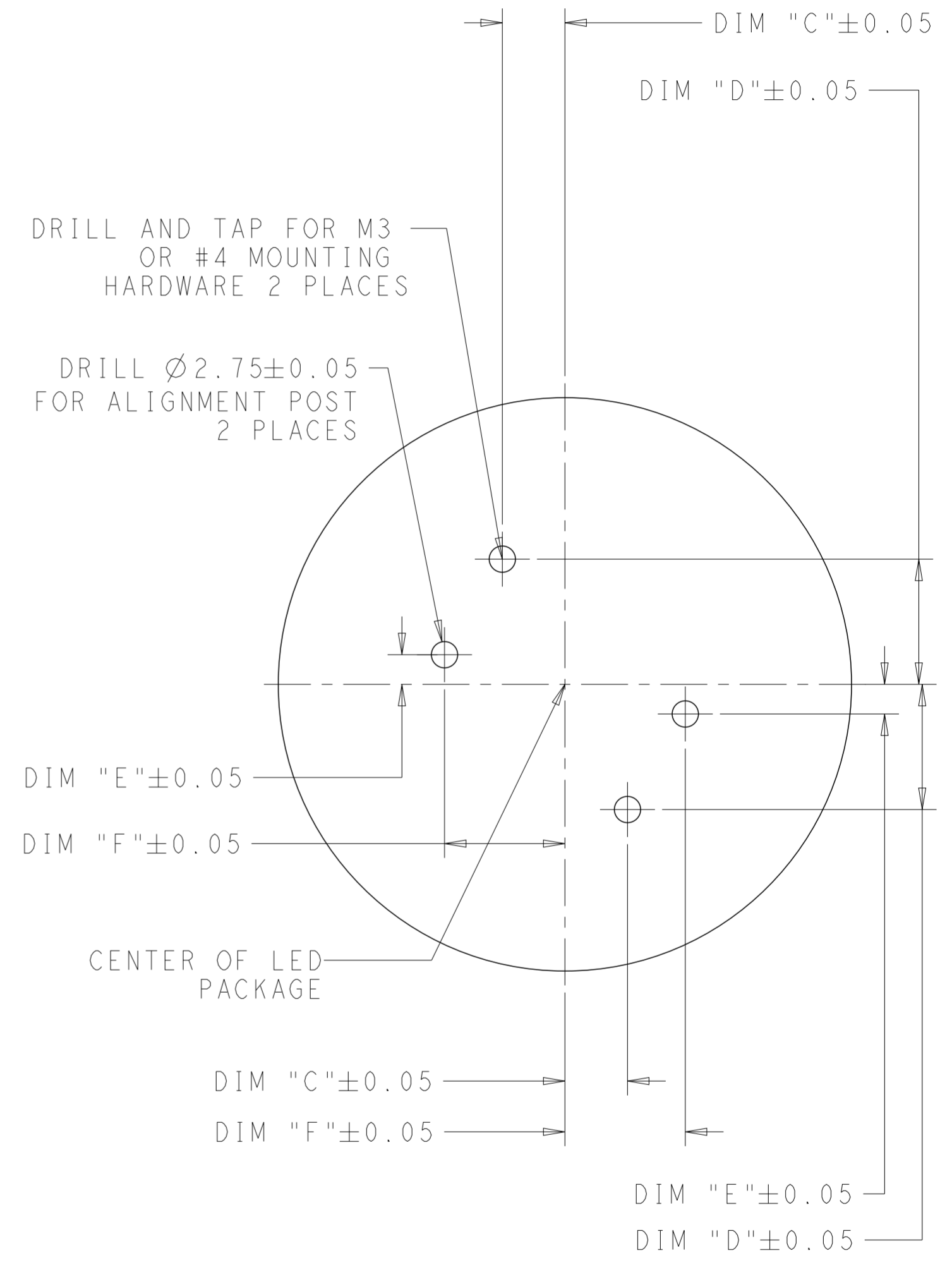
| | |
|--|--|
| DWN: M. MOSTOLLER 16MAR2012 | TE Connectivity TWO PIECE ASSEMBLY LUMAWISE LED HOLDER, SCALABLE |
| CHK: M. MOSTOLLER 16MAR2012 | |
| APVD: M. MOSTOLLER 16MAR2012 | |
| DIMENSIONS: mm | PRODUCT SPEC: 108-133005 |
| TOLERANCES UNLESS OTHERWISE SPECIFIED: | APPLICATION SPEC: 114-32043 |
| 0 PLC ± | SIZE: A2 |
| 1 PLC ±0.2 | CAGE CODE: 00779 |
| 2 PLC ±0.13 | DRAWING NO: C-2154857 |
| 3 PLC ±0.001 | RESTRICTED TO: - |
| 4 PLC ±0.0001 | SCALE: 6:1 |
| ANGLES ±2 | SHEET: 1 OF 3 |
| FINISH | REV: A3 |

Customer Drawing

THIS DRAWING IS UNPUBLISHED. RELEASED FOR PUBLICATION 20
 © COPYRIGHT 20 BY - ALL RIGHTS RESERVED.

| LED DIMENSION | DIM "C" | DIM "D" | DIM "E" | DIM "F" | RECOMMENED SOCKET PART NUMBER |
|---------------|---------|---------|---------|---------|-------------------------------|
| 25.5 X 22.3 | 9.70 | 16.30 | 6.30 | 15.80 | 1-2154857-2 |
| 17.5 X 13.3 | 5.83 | 11.83 | 1.83 | 11.93 | 1-2154857-3 |
| 15.8 X 15.80 | 4.95 | 13.05 | 3.05 | 11.05 | 2-2154857-1 |
| 21.0 X 21.0 | 7.55 | 15.65 | 5.65 | 13.65 | 2-2154857-1 |
| 13.5 X 13.5 | 3.80 | 11.90 | 1.90 | 9.90 | 2-2154857-1 |
| 19.0 X 19.0 | 6.55 | 14.65 | 4.65 | 12.65 | 2-2154857-1 |
| 28.0 X 28.0 | 11.05 | 19.15 | 9.15 | 17.15 | 2-2154857-2 |
| 38.0 X 38.0 | 16.05 | 24.15 | 14.15 | 22.15 | 2-2154857-2 |
| 28.0 X 19.0 | 11.05 | 14.65 | 4.65 | 17.15 | 2-2154857-3 |
| 28.5 X 28.5 | 11.30 | 19.40 | 9.40 | 17.40 | 2-2154857-3 |
| 22.0 X 22.0 | 8.05 | 16.15 | 6.15 | 14.15 | 1-2154857-3 |
| 13.35 X 13.35 | 3.73 | 11.83 | 1.83 | 9.83 | 2-2154857-2 |
| 15.85 X 15.85 | 4.98 | 13.08 | 3.08 | 11.08 | 2-2154857-2 |
| 17.85 X 17.85 | 5.98 | 14.08 | 4.08 | 12.08 | 2-2154857-2 |
| 17.85 X 17.85 | 5.98 | 14.08 | 4.08 | 12.08 | 2-2154857-2 |
| 17.85 X 17.85 | 5.98 | 14.08 | 4.08 | 12.08 | 2-2154857-1 |
| 23.85 X 23.85 | 8.98 | 17.08 | 7.08 | 15.08 | 2-2154857-2 |
| 27.35 X 27.35 | 10.73 | 18.83 | 8.83 | 16.83 | 2-2154857-2 |
| 34.85 x 34.85 | 14.48 | 22.58 | 12.58 | 20.58 | 2154857-3 |
| 13.5 X 13.5 | 3.80 | 11.90 | 1.90 | 9.90 | 2-2154857-1 |
| 19.0 X 19.0 | 6.55 | 14.65 | 4.65 | 12.65 | 2-2154857-1 |
| 24.4 X 18.0 | 9.25 | 14.15 | 4.15 | 15.35 | 2-2154857-2 |
| 19.0 X 16.0 | 6.55 | 13.15 | 3.15 | 12.65 | 2-2154857-1 |
| 24.0 X 19.0 | 9.05 | 14.65 | 4.65 | 15.15 | 2-2154857-1 |
| 30.0 X 30.0 | 12.05 | 20.15 | 10.15 | 18.15 | 3-2154857-3 |
| 19.0 X 16.0 | 6.55 | 13.15 | 3.15 | 12.65 | 2-2154857-2 |
| 24.0 X 20.0 | 9.05 | 15.15 | 5.15 | 15.15 | 2-2154857-3 |
| 17.0 X 17.0 | 5.55 | 13.65 | 3.65 | 11.65 | 2-2154857-3 |
| 21.5 X 21.5 | 7.80 | 15.90 | 5.90 | 13.90 | 2-2154857-3 |
| 28 X 28 | 11.05 | 19.15 | 9.15 | 17.15 | 2-2154857-2 |
| 15.0 X 12.0 | 4.55 | 11.15 | 1.15 | 10.65 | 2-2154857-1 |
| 24.0 X 20.0 | 9.05 | 15.15 | 5.15 | 15.15 | 2-2154857-3 |
| 13.25 X 13.25 | 3.68 | 11.78 | 1.78 | 9.78 | 2-2154857-1 |
| 17.75 X 17.75 | 5.93 | 14.03 | 4.03 | 12.03 | 2-2154857-2 |

| LOC | DIST | P | LTR | DESCRIPTION | DATE | DWN | APVD |
|-----|------|---|-----|-------------|------|-----|------|
| - | - | - | - | SEE SHEET 1 | - | - | - |



RECOMMENDED MOUNTING HOLE PATTERN

| | | | | |
|--|--|--|---|---------------------|
| THIS DRAWING IS A CONTROLLED DOCUMENT. | | DWN M. MOSTOLLER 16MAR2012 | TE Connectivity | |
| | | CHK M. MOSTOLLER 16MAR2012 | | |
| | | APVD M. MOSTOLLER 16MAR2012 | NAME TWO PIECE ASSEMBLY LUMAWISE LED HOLDER, SCALABLE | |
| DIMENSIONS: mm | | TOLERANCES UNLESS OTHERWISE SPECIFIED: | PRODUCT SPEC 108-133005 | |
| | | 0 PLC ± 1 PLC ±0.2 2 PLC ±0.13 3 PLC ±0.001 4 PLC ±0.0001 ANGLES ±2 FINISH | APPLICATION SPEC 114-32043 | |
| MATERIAL | | | SIZE A2 | CAGE CODE 00779 |
| | | | DRAWING NO C-2154857 | RESTRICTED TO |
| | | | SCALE 6:1 | SHEET 2 OF 3 REV A3 |