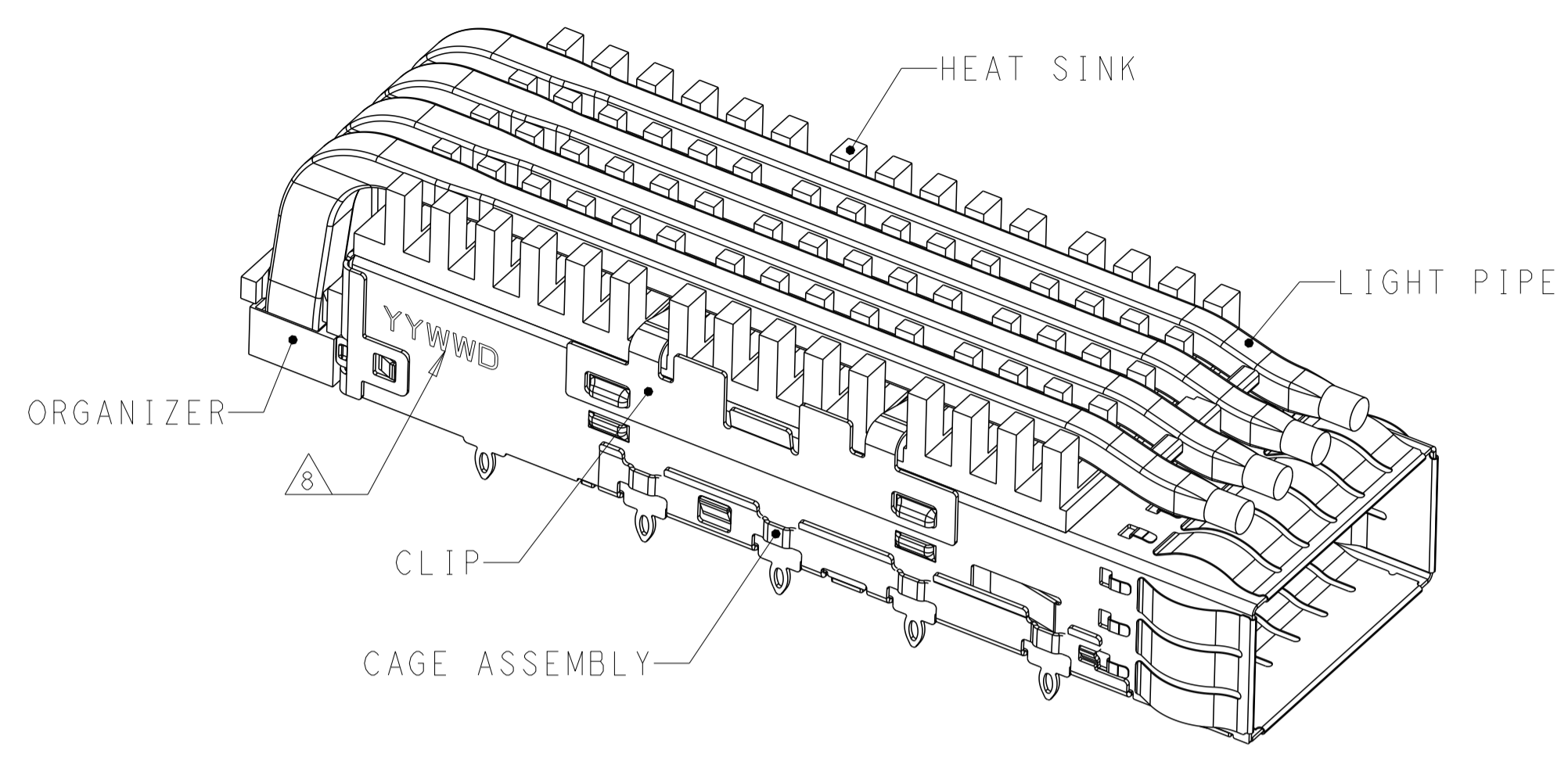
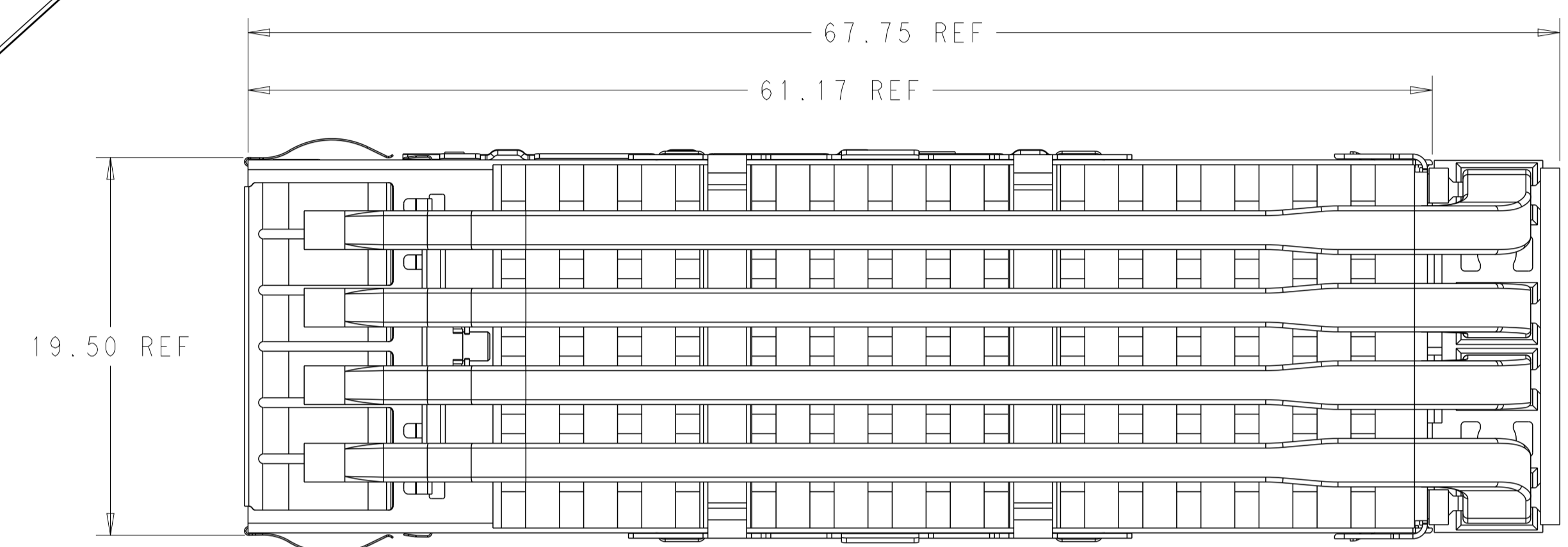


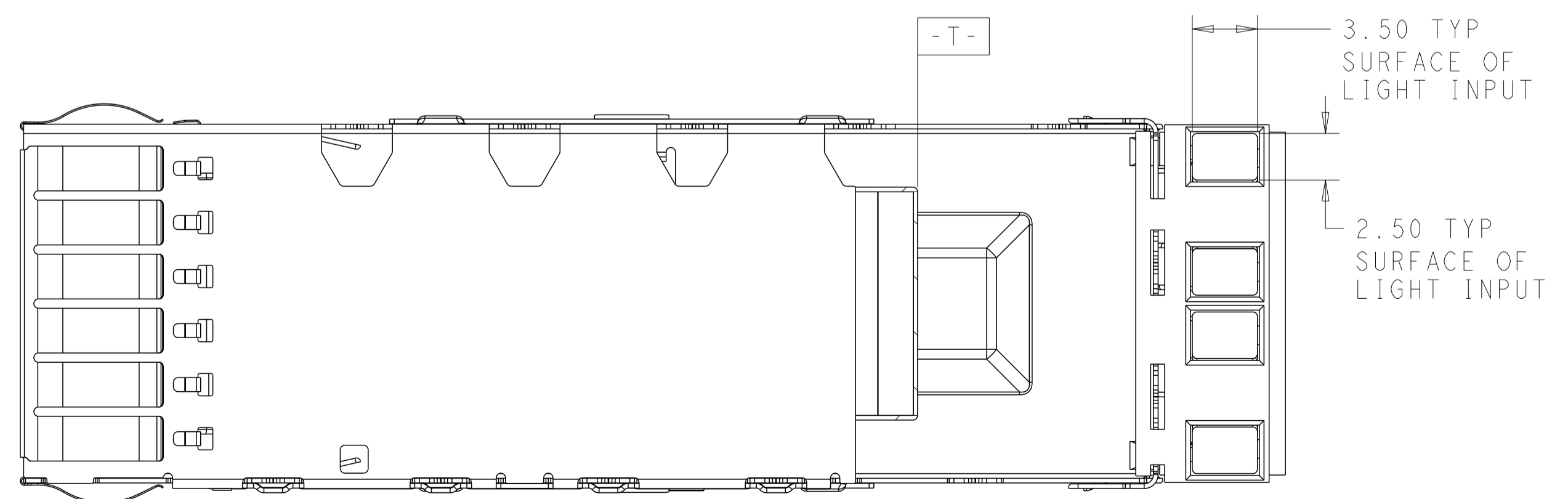
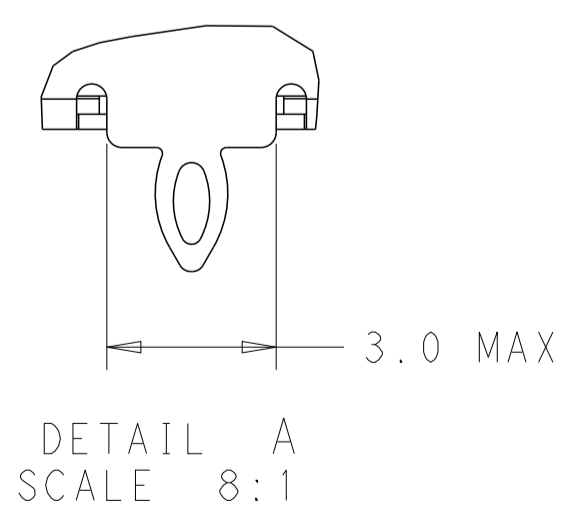
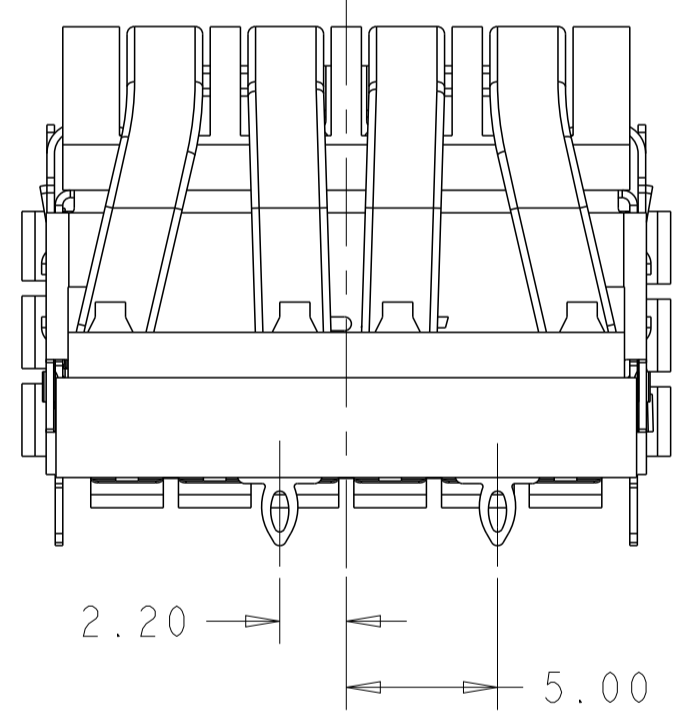
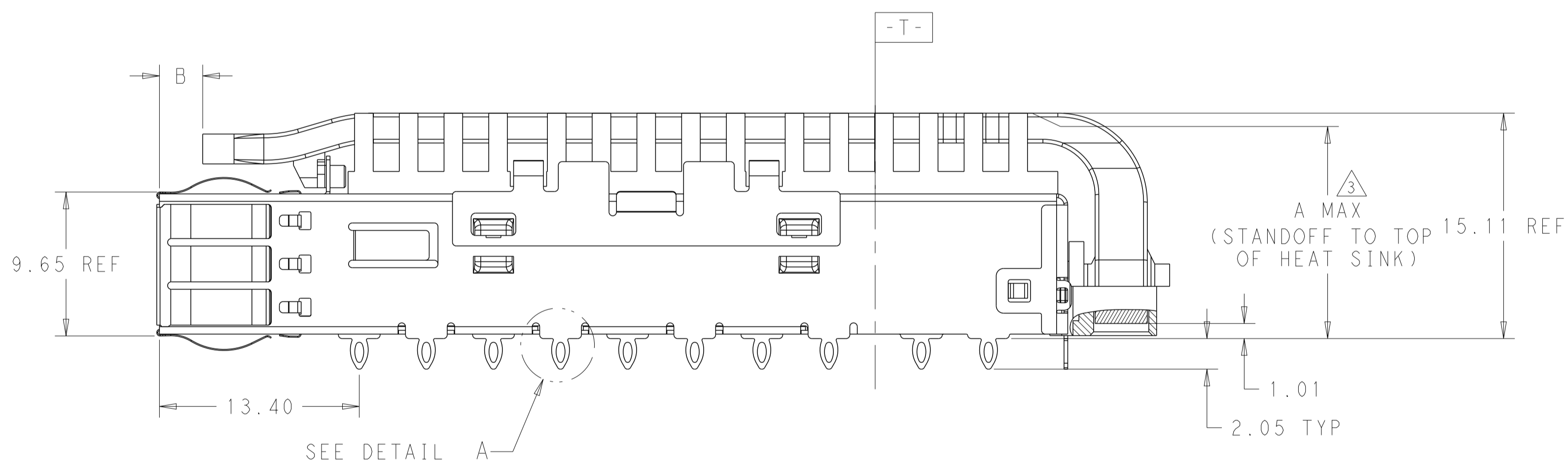
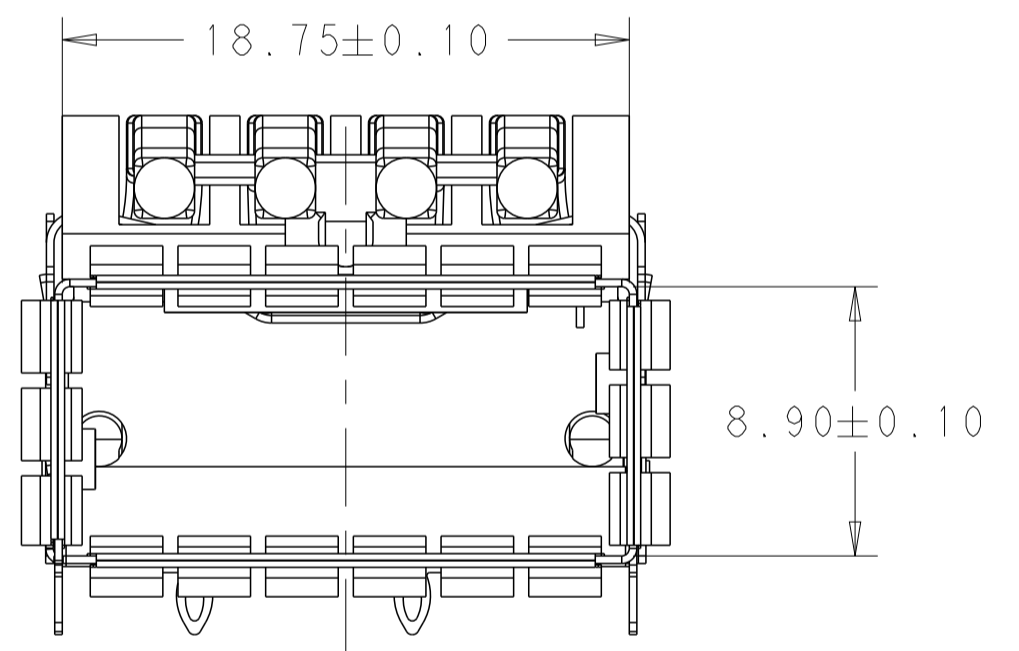
LOC		DIST		REVISIONS			
P	LTN	DESCRIPTION	DATE	DWN	APVD		
B		REVISED PER ECO-17-011899	15AUG2017	RG	SH		
C		ADD SOME DIMENSIONS	10JAN2018	JY	SH		
D		REVISED PER ECO-19-013580	04SEP2019	SH	SH		
D1		REVISED PER ECN-22-135969	08JAN2022	TP	SZ		



4-2170705-2 SHOWN  
SCALE 3:1



- MATERIAL: CAGE MATERIAL : 0.25 THICK NICKEL SILVER.  
 SPRING MATERIAL: COPPER ALLOY  
 HEAT SINK MATERIAL: ALUMINUM  
 CLIP MATERIAL: STAINLESS STEEL  
 LIGHT PIPE MATERIAL: POLYCARBONATE  
 ORGANIZER MATERIAL: POLYESTER
  - FINISH: SPRING: NICKEL PLATING  
 HEAT SINK: BLACK ANODIZE
- ⚠ DIMENSION APPLIES WITH MODULE INSTALLED IN THE CAGE TO TOP OF HEAT SINK.
  - ⚠ REFERENCE APPLICATION SPEC 114-32023 FOR RECOMMENDED DRILL HOLE DIAMETER AND PLATING THICKNESS.
  - ⚠ DATUM AND BASIC DIMENSIONS ESTABLISHED BY CUSTOMERS.
  - 6. MINIMUM PC BOARD THICKNESS : SINGLES SIDED: 1.57 MIN  
 DOUBLE SIDED: 2.20 MIN
  - ⚠ DATUM **-A-** IS TOP SURFACE OF THE HOST BOARD.
  - ⚠ DATE CODE (YYWWD) MARKED APPROXIMATELY AS SHOWN
  - ⚠ THESE HOLES ARE OPTIONAL WHEN THE REAR PINS ARE REMOVED.
  - 10. MATES WITH QSFP28 MSA COMPATIBLE TRANSCEIVER.
  - ⚠ PRELIMINARY PART - NOT RELEASE TO PRODUCTION.

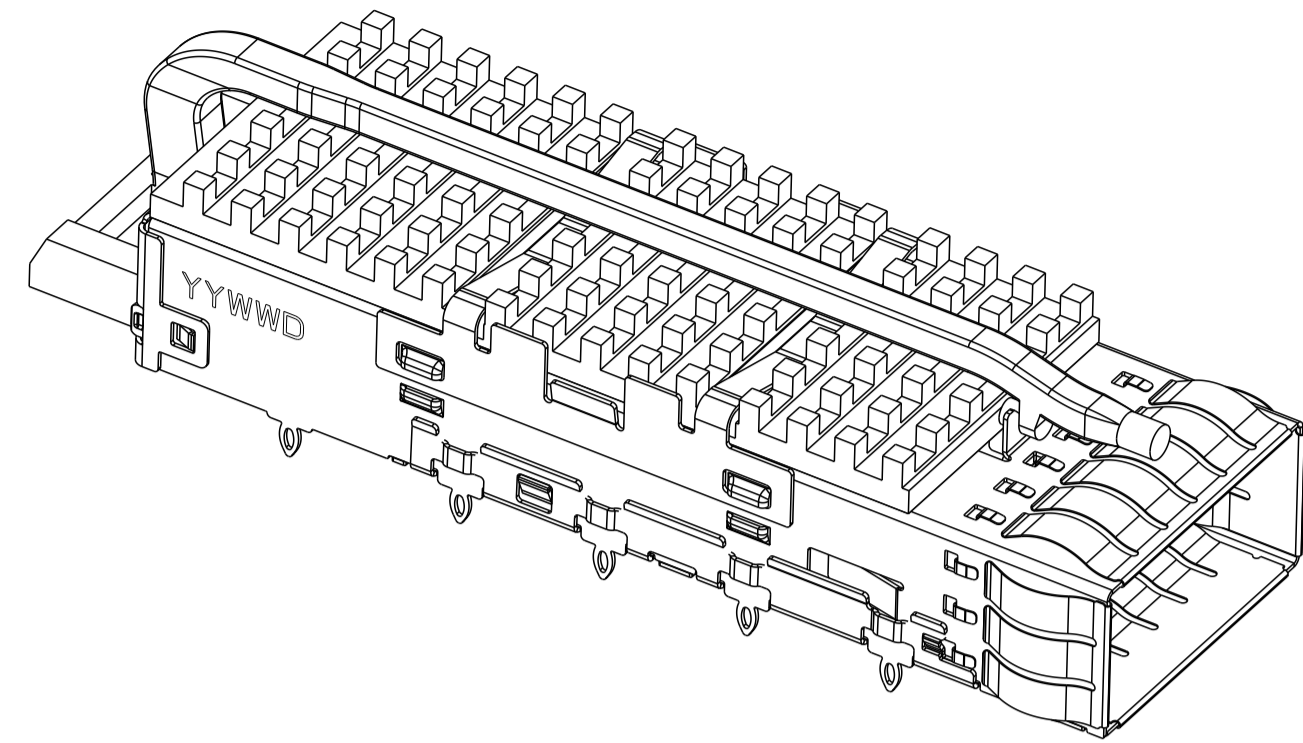


4-2170705-2 AS SHOWN

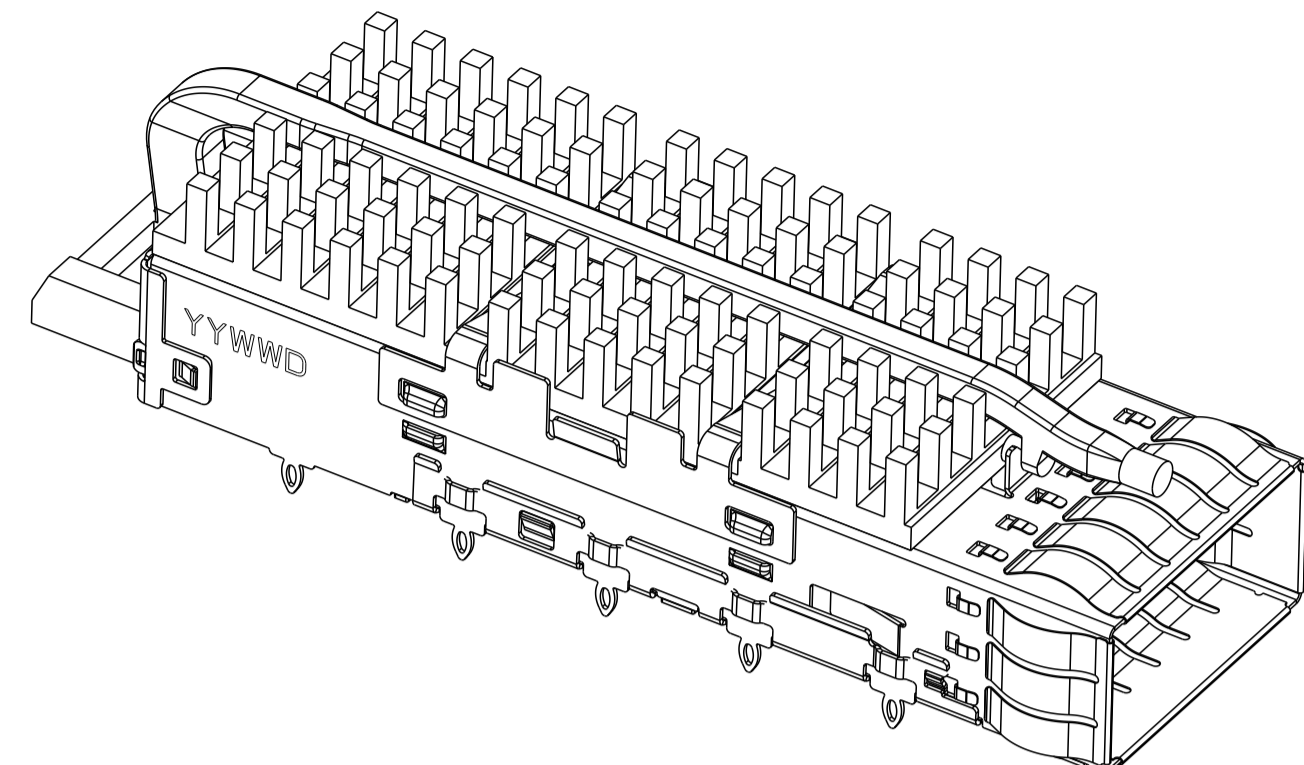
THIS DRAWING IS A CONTROLLED DOCUMENT.		DWN: JASON YANG 07MAR2014	TE Connectivity
		CHK: SEAN HAN 26JAN2016	
DIMENSIONS:	TOLERANCES UNLESS OTHERWISE SPECIFIED:	APVD:	NAME:
mm	0 PLC ±0.25 1 PLC ±0.25 2 PLC ±0.25 3 PLC ±0.25 4 PLC ±0.100 ANGLES ±°	PRODUCT SPEC: 108-19428	CAGE ASSEMBLY, QSFP28, THRU BEZEL WITH EMI SPRING FINGER HEAT SINK, LIGHT PIPE
MATERIAL:	FINISH:	APPLICATION SPEC: 114-32023	RESTRICTED TO:
		WEIGHT:	A1 00779 ©=2170705
		CUSTOMER DRAWING	SCALE 2:1 SHEET 1 OF 9 REV D1

LOC		DIST		REVISIONS			
P	LYR	DESCRIPTION	DATE	OWN	APVD		
-	-	SEE SHEET 1	-	-	-		

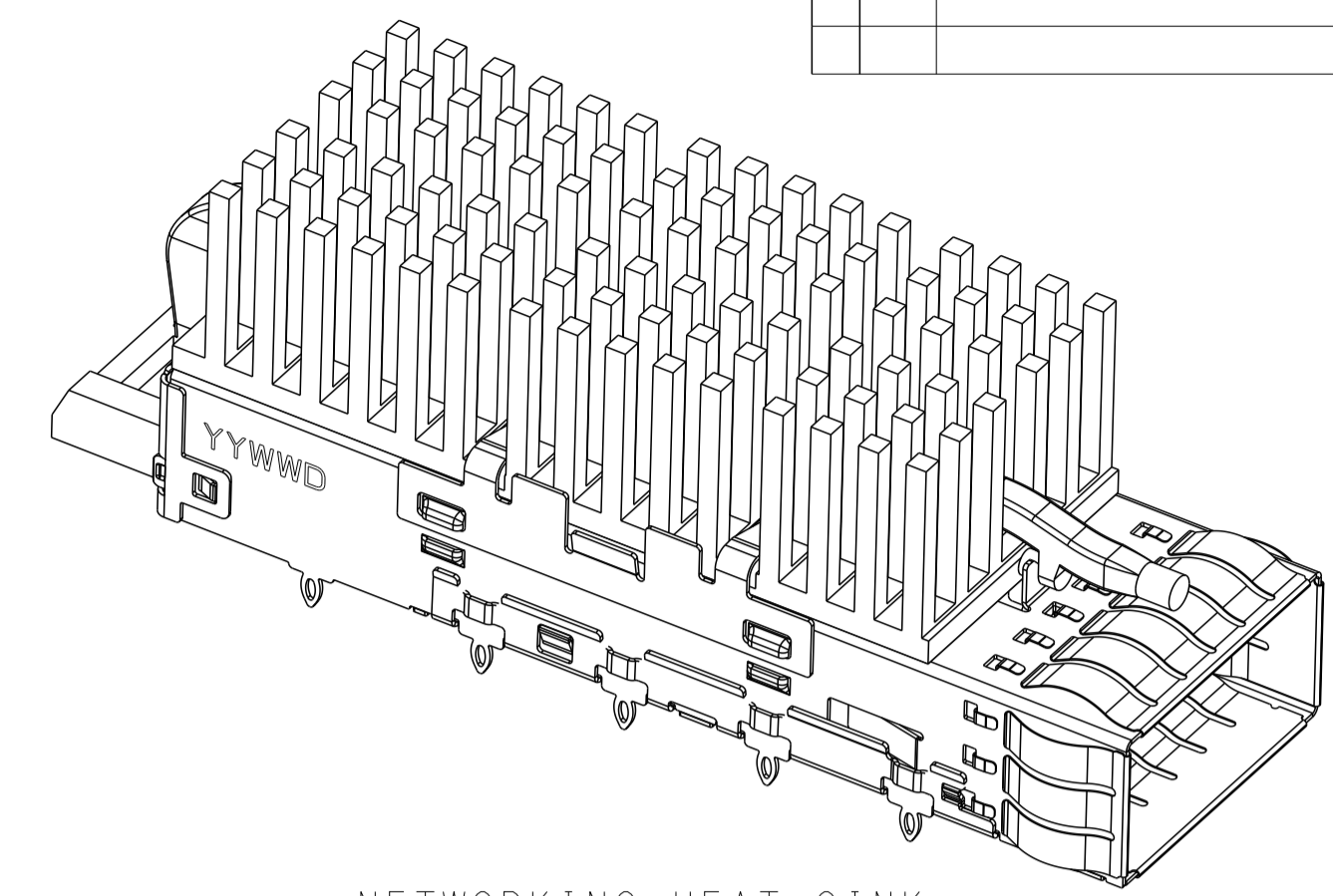
# HEAT SINK OPTIONS



PCI HEAT SINK  
SCALE 5:2

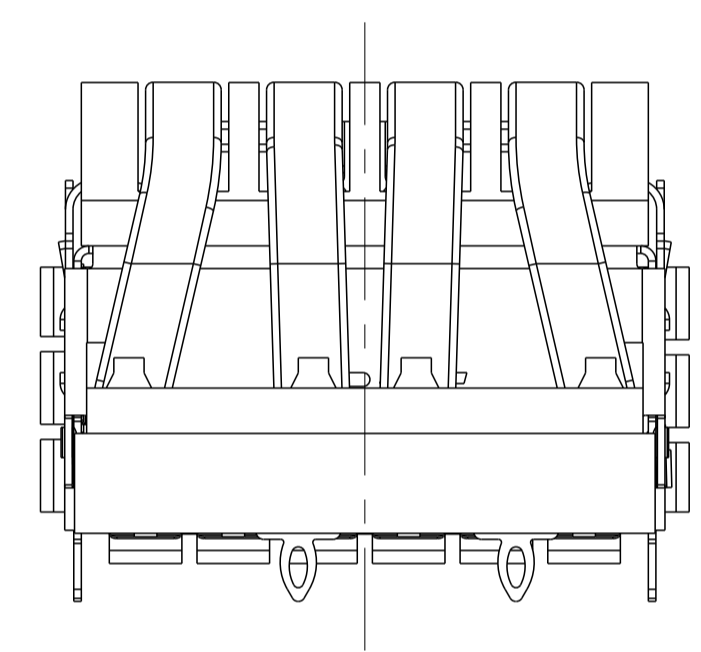


SAN HEAT SINK  
SCALE 5:2

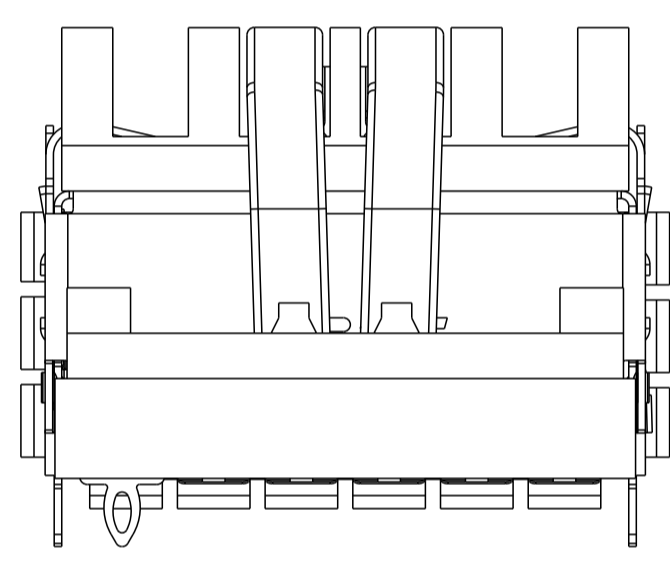


NETWORKING HEAT SINK  
SCALE 5:2

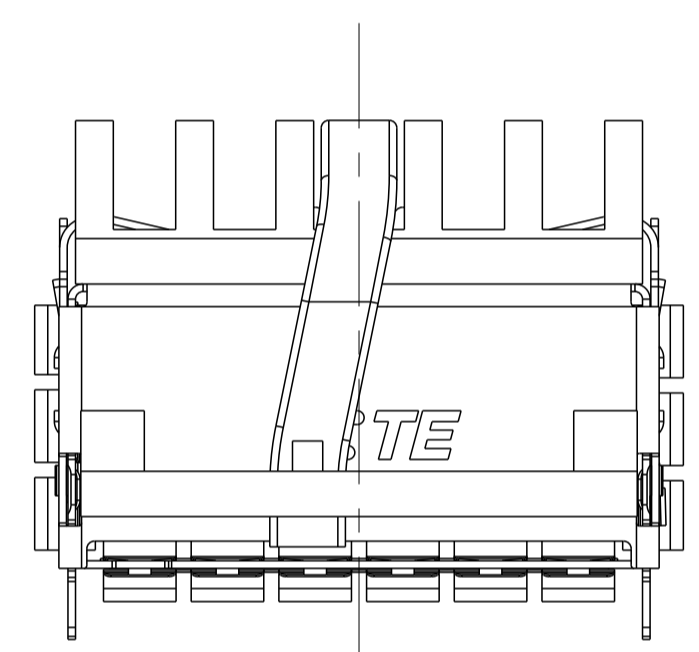
# # OF REAR LEGS OPTIONS



2 REAR LEGS  
SCALE 4:1

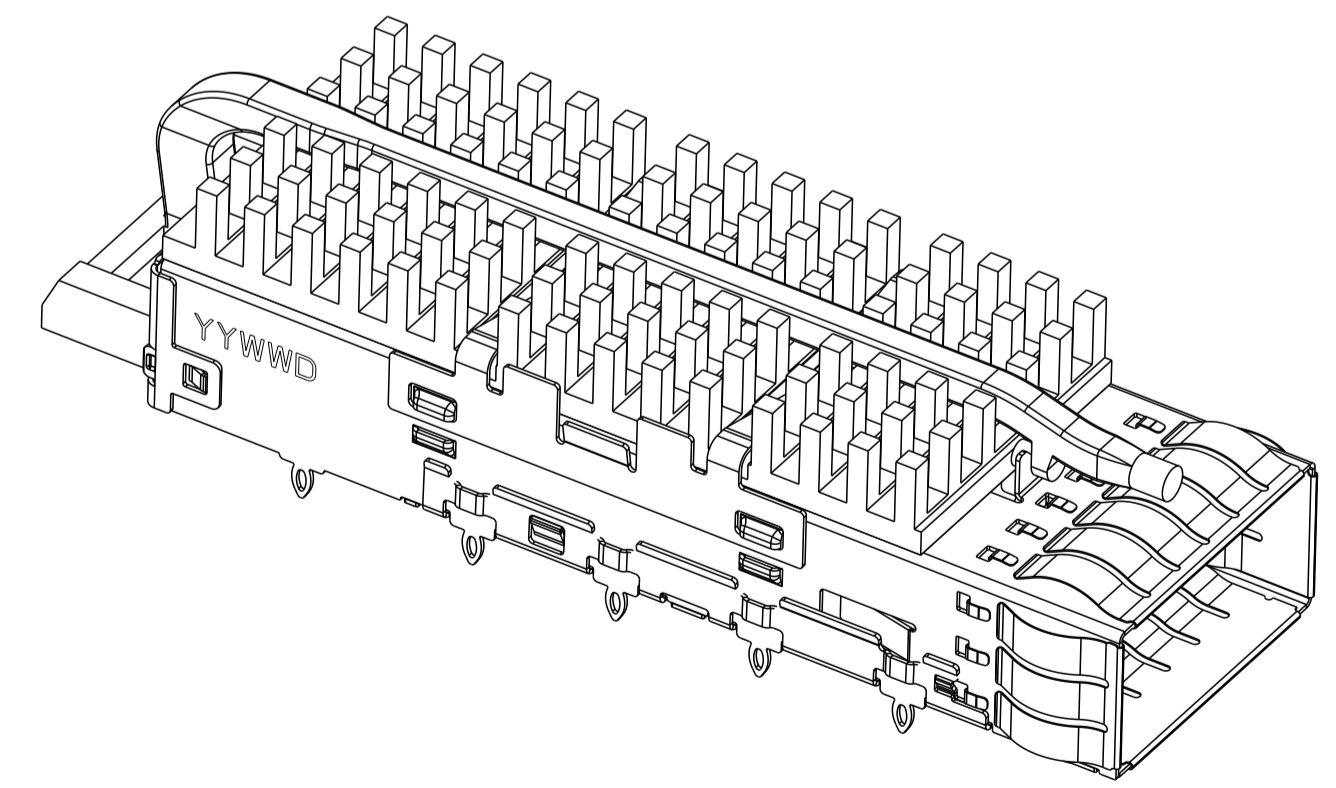


1 REAR LEG  
SCALE 4:1

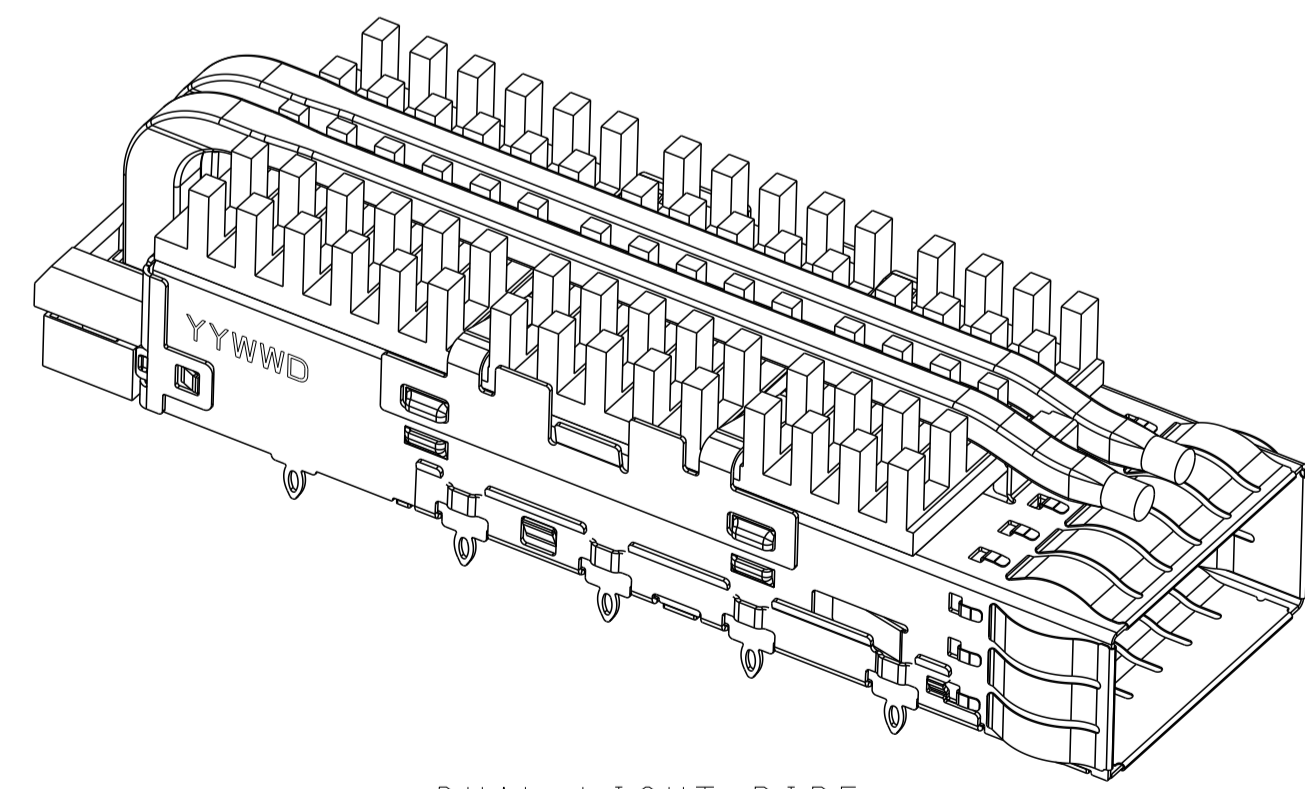


0 REAR LEG  
SCALE 4:1

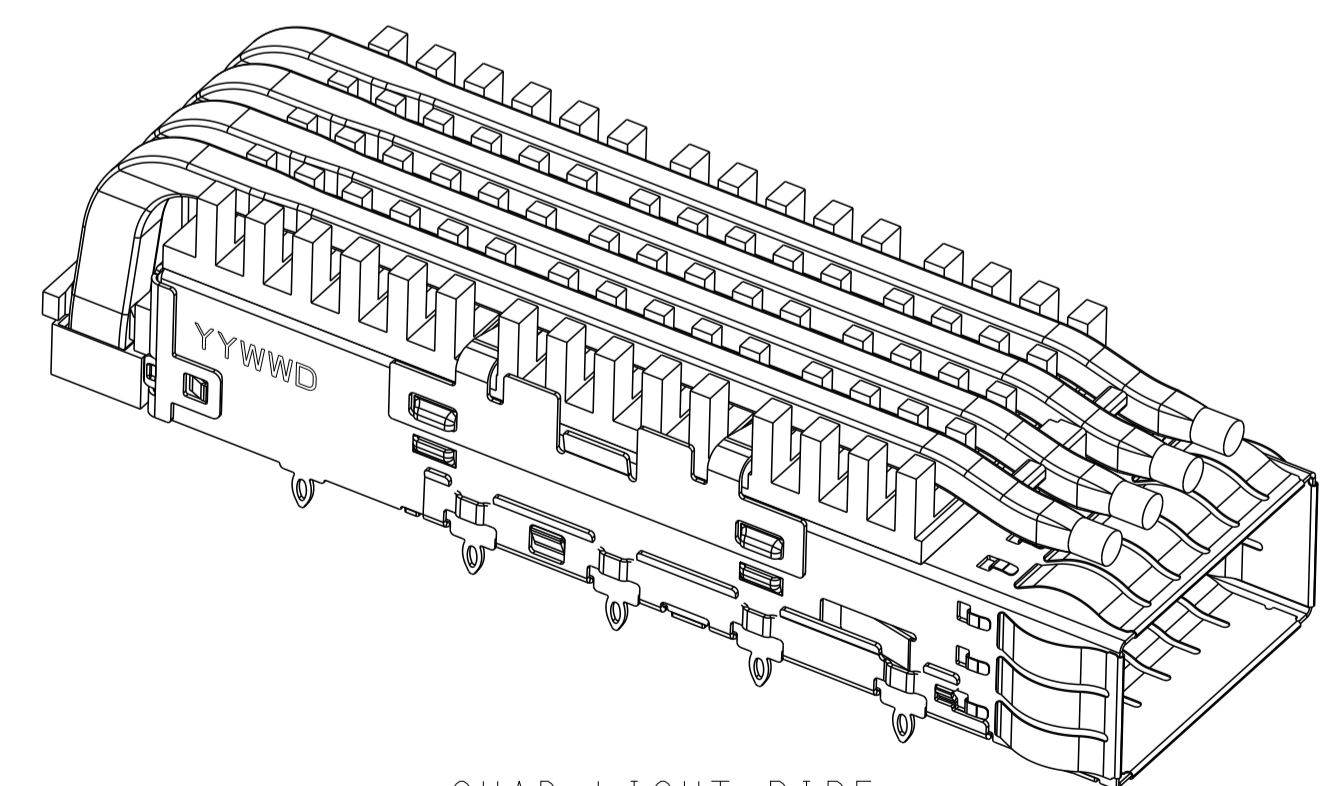
# LIGHT PIPE OPTIONS



SINGLE LIGHT PIPE  
WITHOUT ORGANIZER  
SCALE 5:2



DUAL LIGHT PIPE  
SCALE 5:2

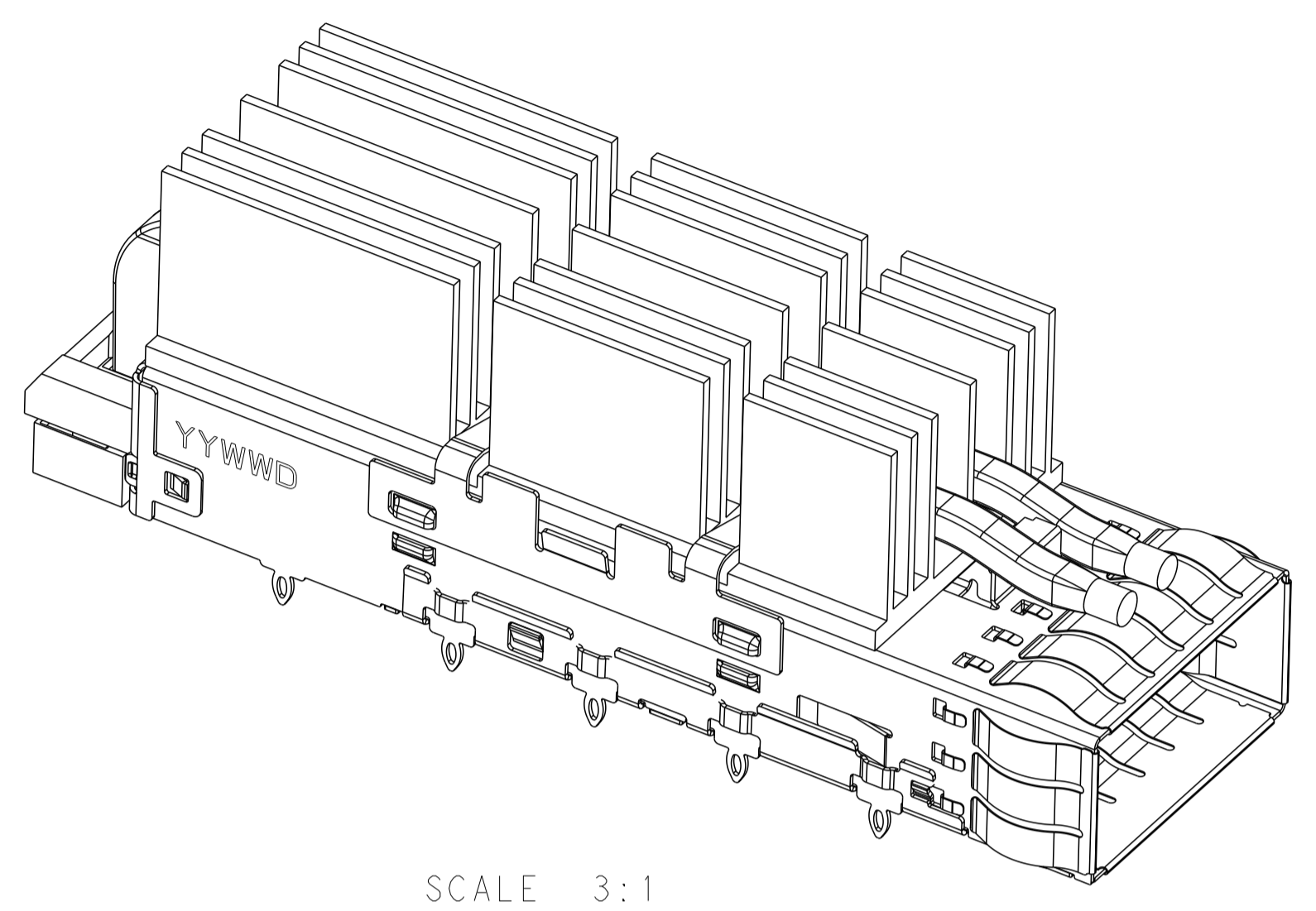


QUAD LIGHT PIPE  
SCALE 5:2

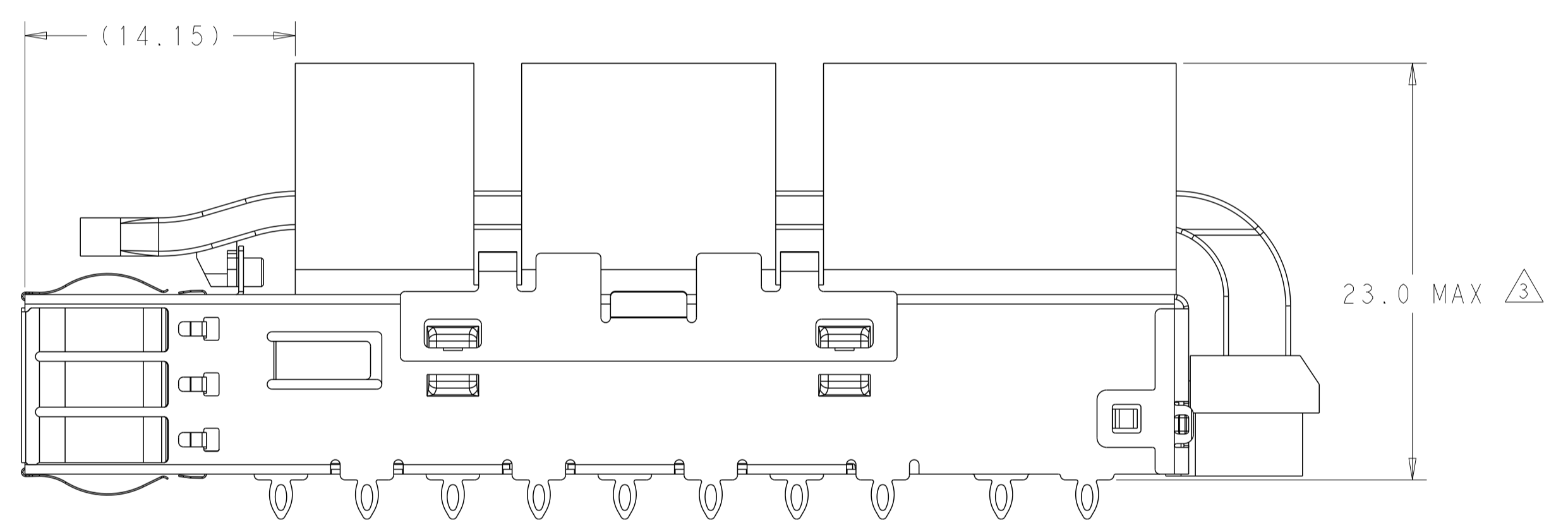
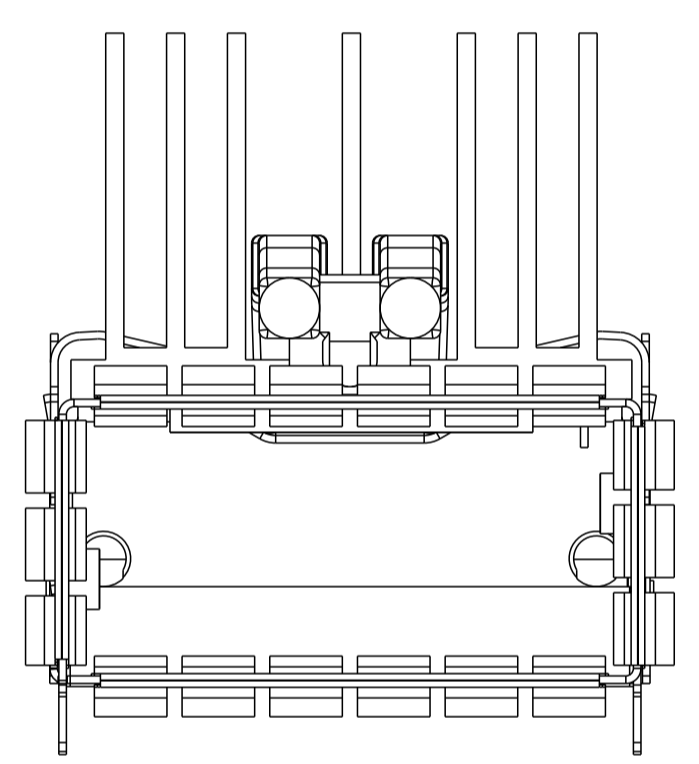
THIS DRAWING IS A CONTROLLED DOCUMENT.		OWN: JASON YANG 07MAR2014	TE Connectivity
		CHK: SEAN HAN 26JAN2016	
DIMENSIONS:	TOLERANCES UNLESS OTHERWISE SPECIFIED:	APVD:	NAME:
mm	0 PLC ±0.25	PRODUCT SPEC	CAGE ASSEMBLY, QSFP28, THRU BEZEL
	1 PLC ±0.25	APPLICATION SPEC	WITH EMI SPRING FINGER
	2 PLC ±0.25	114-32023	HEAT SINK, LIGHT PIPE
	3 PLC ±0.25	WEIGHT	RESTRICTED TO
	4 PLC ±0.100		A100779C=2170705
	ANGLES ±°	CUSTOMER DRAWING	SCALE 2:1 SHEET 2 OF 9 REV D1
MATERIAL:	FINISH:		

LOC		DIST		REVISIONS			
P	LTN	DESCRIPTION	DATE	DWN	APVD		
-	-	SEE SHEET 1	-	-	-		

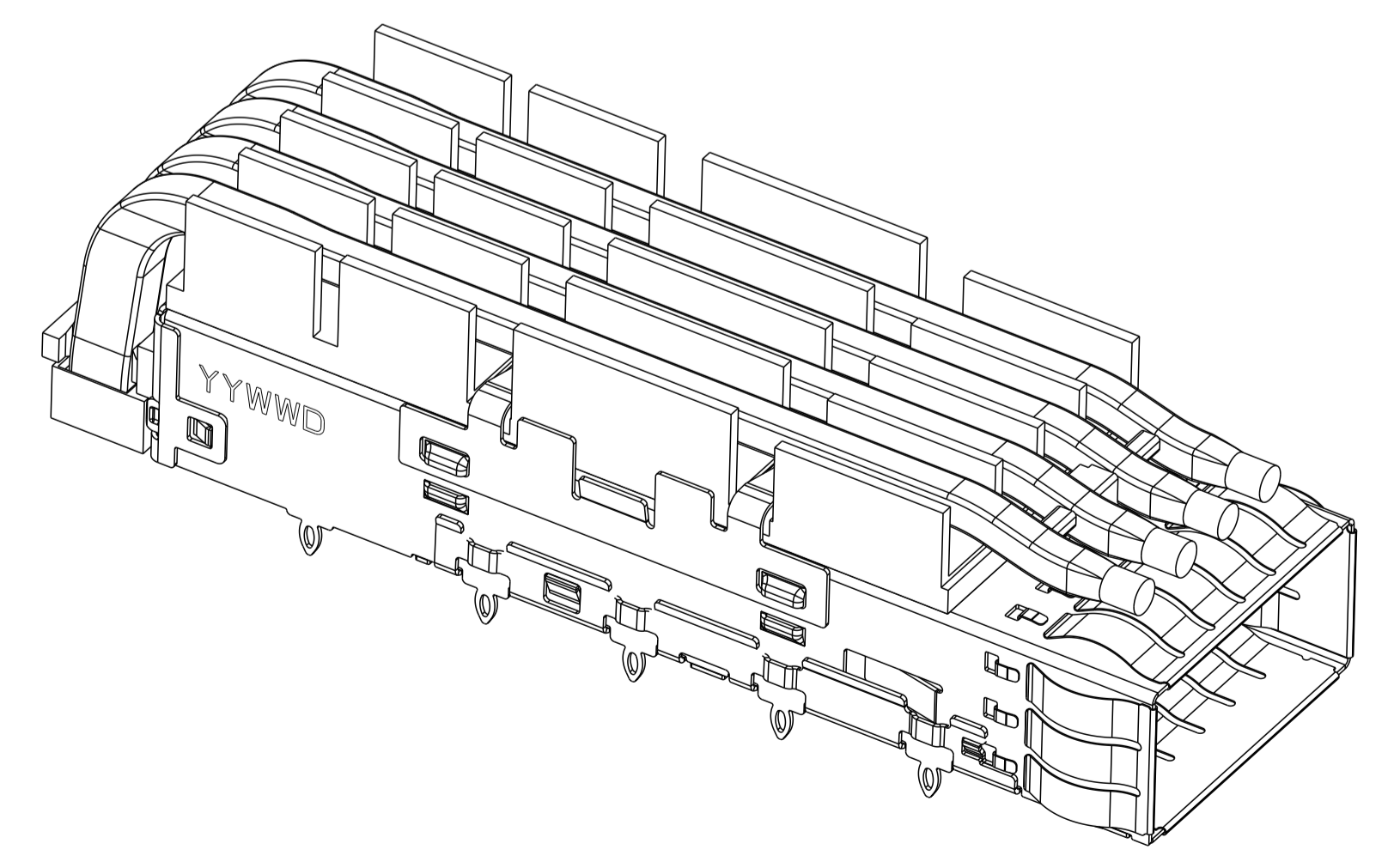
3-2170705-0  
 UNMARKED DIMENSIONS SAME AS 2-2170705-6



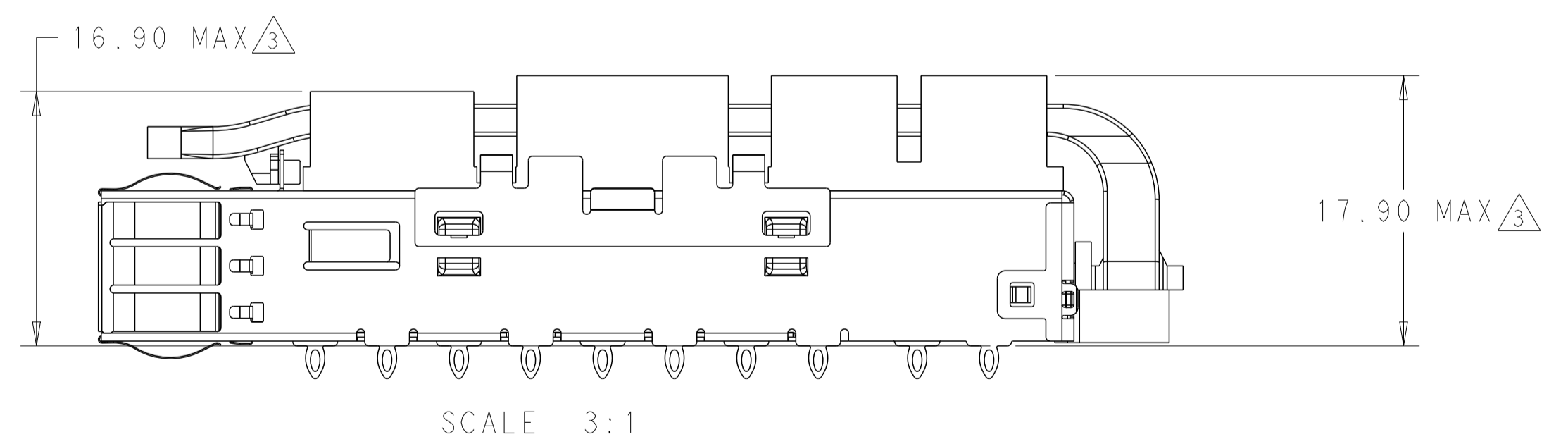
SCALE 3:1



1-2170705-2  
 3D VIEW AS SHOWN



SCALE 3:1



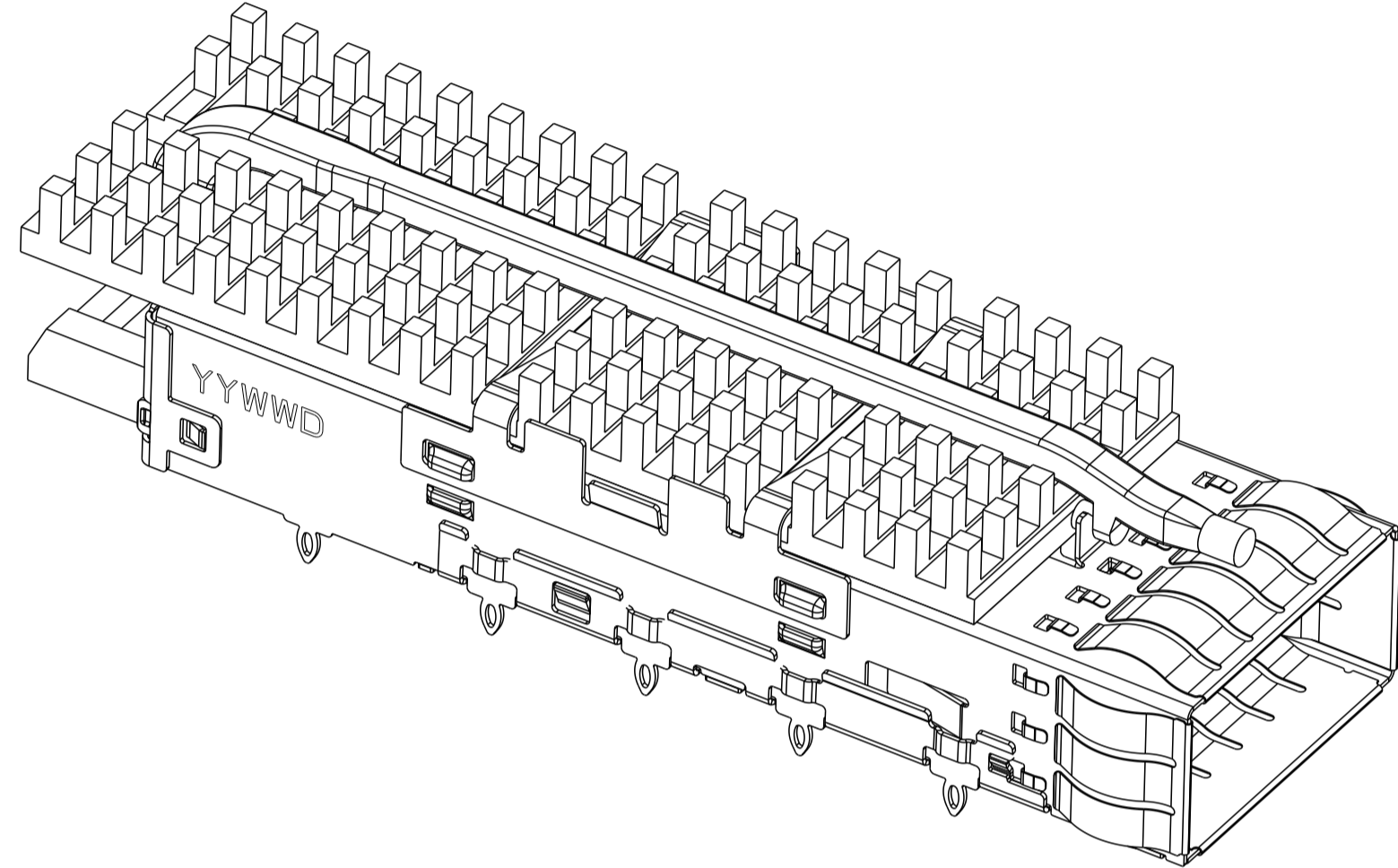
SCALE 3:1

THIS DRAWING IS A CONTROLLED DOCUMENT.		DWN: JASON YANG 07MAR2014	TE Connectivity
		CHK: SEAN HAN 26JAN2016	
DIMENSIONS:		NAME: CAGE ASSEMBLY, QSFP28, THRU BEZEL WITH EMI SPRING FINGER HEAT SINK, LIGHT PIPE	
TOLERANCES UNLESS OTHERWISE SPECIFIED:		PRODUCT SPEC: 108-19428	
MATERIAL:		APPLICATION SPEC: 114-32023	
FINISH:		SIZE: A1	
MATERIAL:		CAGE CODE: 00779	
FINISH:		DRAWING NO: C=2170705	
MATERIAL:		WEIGHT: -	
FINISH:		CUSTOMER DRAWING	
MATERIAL:		SCALE: 2:1	
FINISH:		SHEET: 3 OF 9	
MATERIAL:		REV: D1	
FINISH:			

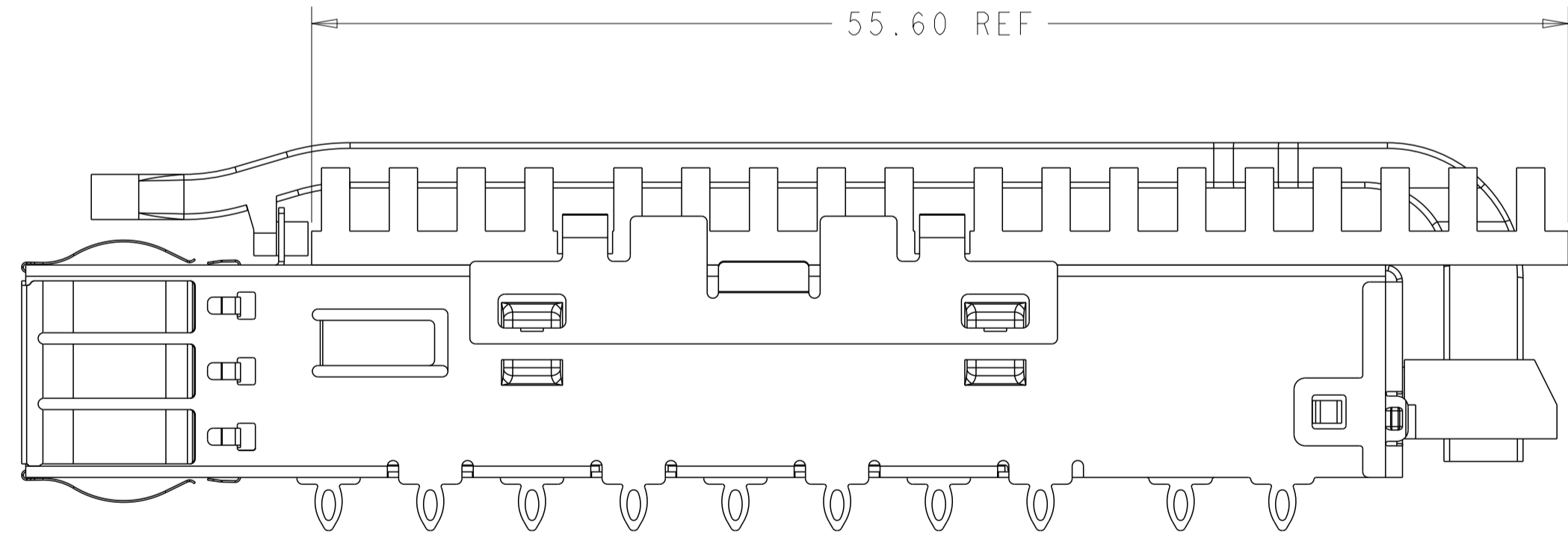
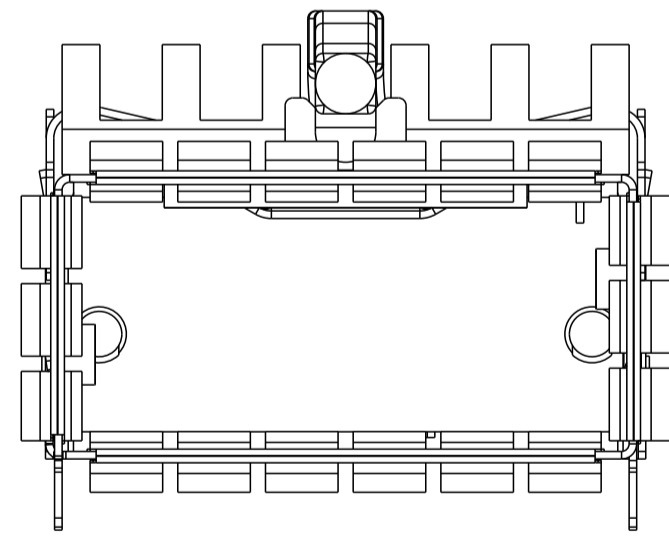
THIS DRAWING IS UNPUBLISHED. RELEASED FOR PUBLICATION  
 © COPYRIGHT copyr ight dbfr ALL RIGHTS RESERVED.

LOC		DIST		REVISIONS			
				REV	DESCRIPTION	DATE	APVD
-	-	-	-				

1-2170705-1  
 UNMARKED DIMENSIONS SAME AS 2170705-4



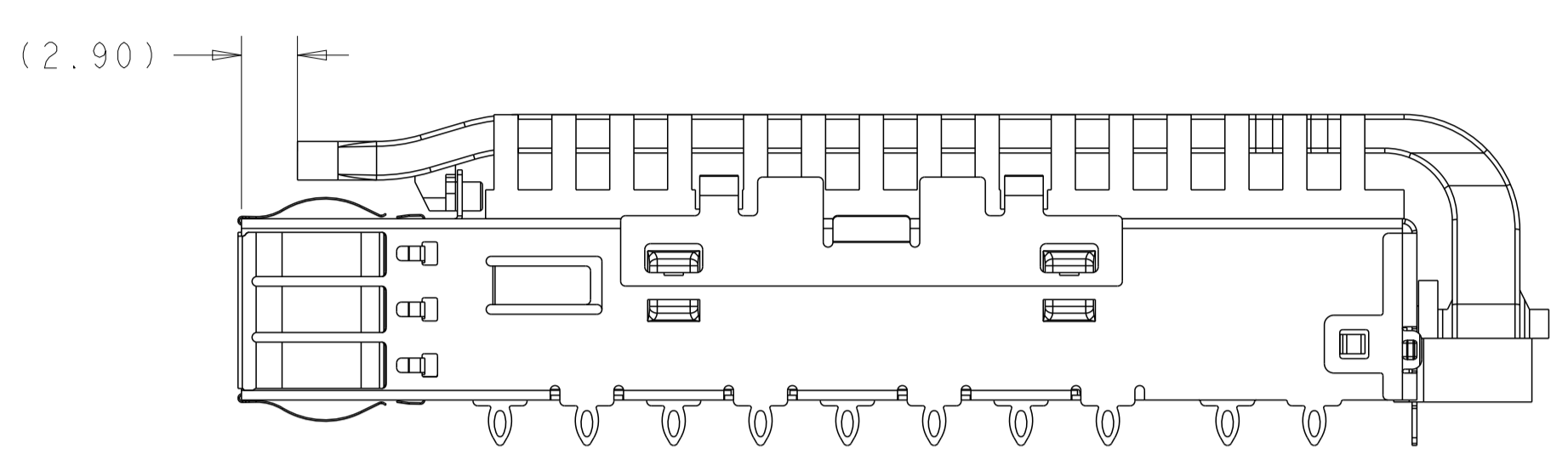
SCALE 3:1



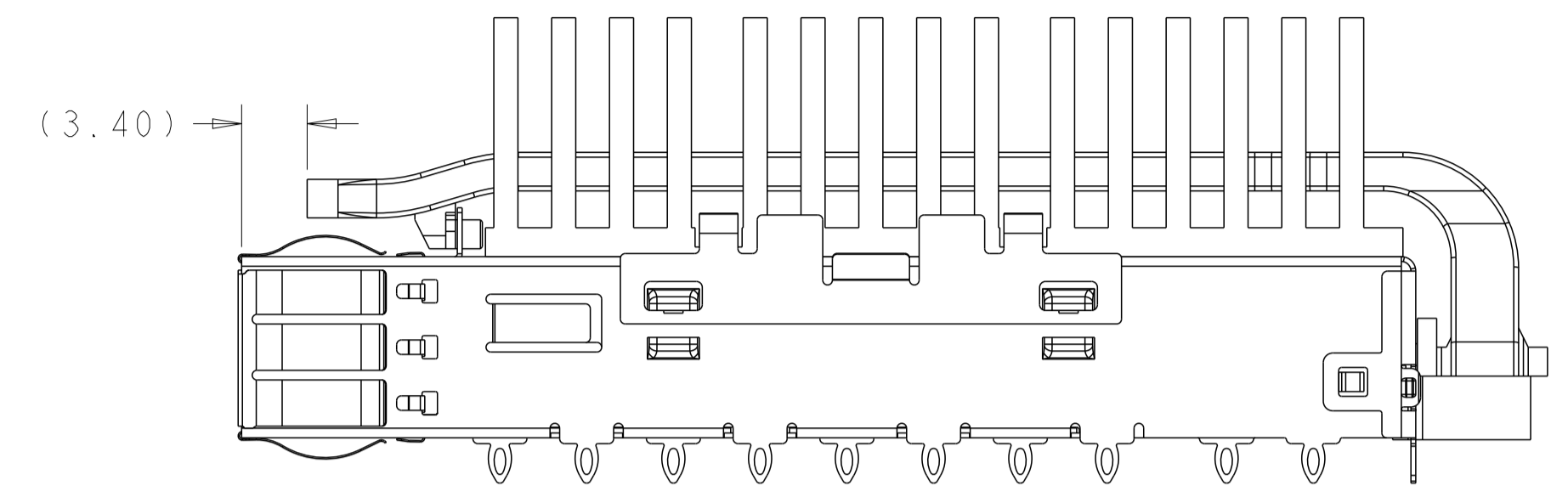
THIS DRAWING IS A CONTROLLED DOCUMENT.		OWN JASON YANG 07MAR2014	
		CHK SEAN HAN 26JAN2016	
DIMENSIONS:		NAME	
mm	0 PLC ±0.25 1 PLC ±0.25 2 PLC ±0.25 3 PLC ±0.100 4 PLC ± ANGLES ±°	CAGE ASSEMBLY, QSFP28, THRU BEZEL WITH EMI SPRING FINGER HEAT SINK, LIGHT PIPE	
TOLERANCES UNLESS OTHERWISE SPECIFIED:		PRODUCT SPEC	RESTRICTED TO
		108-19428	
		APPLICATION SPEC	
		114-32023	
MATERIAL		WEIGHT	SIZE CAGE CODE DRAWING NO
			A100779C=2170705
		CUSTOMER DRAWING	SCALE 2:1 SHEET 4 OF 9 REV D1

LOC	DIST	REV	DATE	BY	APPV
-	-	1	SEE SHEET 1	-	-

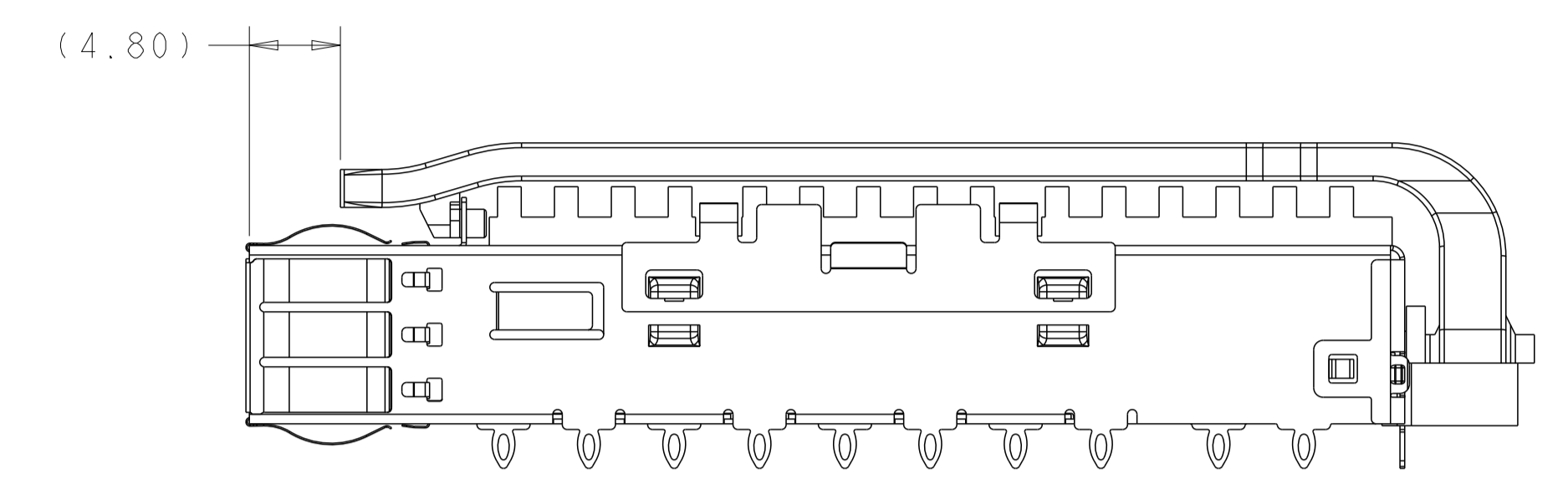
# LIGHT PIPE LENGTH OPTIONS



WITH LIGHT PIPE LENGTH B=2.9  
SCALE 3:1



WITH LIGHT PIPE LENGTH B=3.4  
SCALE 3:1



WITH LIGHT PIPE LENGTH B=4.8  
SCALE 3:1

## BOM

4.8	0	16.00	PIN	SAN	DUAL LP	6-2170705-3
5.2	1	16.00	PIN	SAN	DUAL LP	6-2170705-2
4.8	2	13.7	PIN	PCI	QUAD LP	6-2170705-1
3.4	1	23.0	PIN	NETWORKING	QUAD LP	5-2170705-9
2.9	1	16.0	PIN	SAN	COATED QUAD LP	5-2170705-8
	1	13.7	PIN	PCI	COATED QUAD LP	5-2170705-7
	0	31.6	PIN	CUSTOMIZED	QUAD LP	5-2170705-1
	1	23.0	PIN	NETWORKING	QUAD LP	4-2170705-9
	1	16.0	PIN	SAN	QUAD LP	4-2170705-8
	1	13.7	PIN	PCI	QUAD LP	4-2170705-7
	0	23.0	PIN	NETWORKING	QUAD LP	4-2170705-6
	0	16.0	PIN	SAN	QUAD LP	4-2170705-5
	0	13.7	PIN	PCI	QUAD LP	4-2170705-4
	2	23.0	PIN	NETWORKING	QUAD LP	4-2170705-3
	2	16.0	PIN	SAN	QUAD LP	4-2170705-2
	2	13.7	PIN	PCI	QUAD LP	4-2170705-1
	0	17.9	FIN	NETWORKING	QUAD LP	1-2170705-2
	0	23.0	FIN	NETWORKING	DUAL LP	3-2170705-0
	1	23.0	PIN	NETWORKING	DUAL LP	2-2170705-9
	1	16.0	PIN	SAN	DUAL LP	2-2170705-8
	1	13.7	PIN	PCI	DUAL LP	2-2170705-7
	0	23.0	PIN	NETWORKING	DUAL LP	2-2170705-6
	0	16.0	PIN	SAN	DUAL LP	2-2170705-5
	0	13.7	PIN	PCI	DUAL LP	2-2170705-4
	2	23.0	PIN	NETWORKING	DUAL LP	2-2170705-3
	2	16.0	PIN	SAN	DUAL LP	2-2170705-2
	2	13.7	PIN	PCI	DUAL LP	2-2170705-1
	0	13.7	PIN	PCI	SINGLE LP	1-2170705-1
	1	23.0	PIN	NETWORKING	SINGLE LP(COATED)	1-2170705-0
	1	23.0	PIN	NETWORKING	SINGLE LP	2170705-9
	1	16.0	PIN	SAN	SINGLE LP	2170705-8
	1	13.7	PIN	PCI	SINGLE LP	2170705-7
0	23.0	PIN	NETWORKING	SINGLE LP	2170705-6	
0	16.0	PIN	SAN	SINGLE LP	2170705-5	
0	13.7	PIN	PCI	SINGLE LP	2170705-4	
2	23.0	PIN	NETWORKING	SINGLE LP	2170705-3	
2	16.0	PIN	SAN	SINGLE LP	2170705-2	
2	13.7	PIN	PCI	SINGLE LP	2170705-1	
DIM B	# REAR PINS	DIM A	HEAT SINK TYPE	APPLICATION (HEAT SINK OPTION)	LIGHT PIPE OPTION	PART NUMBER

THIS DRAWING IS A CONTROLLED DOCUMENT.

DWN: JASON YANG 07MAR2014  
 CHK: SEAN HAN 26JAN2016

APVD: SEAN HAN

PRODUCT SPEC: 108-19428  
 APPLICATION SPEC: 114-32023

NAME: CAGE ASSEMBLY, QSP28, THRU BEZEL WITH EMI SPRING FINGER HEAT SINK, LIGHT PIPE

SIZE: A1 CAGE CODE: 100779 DRAWING NO: C=2170705

RESTRICTED TO: -

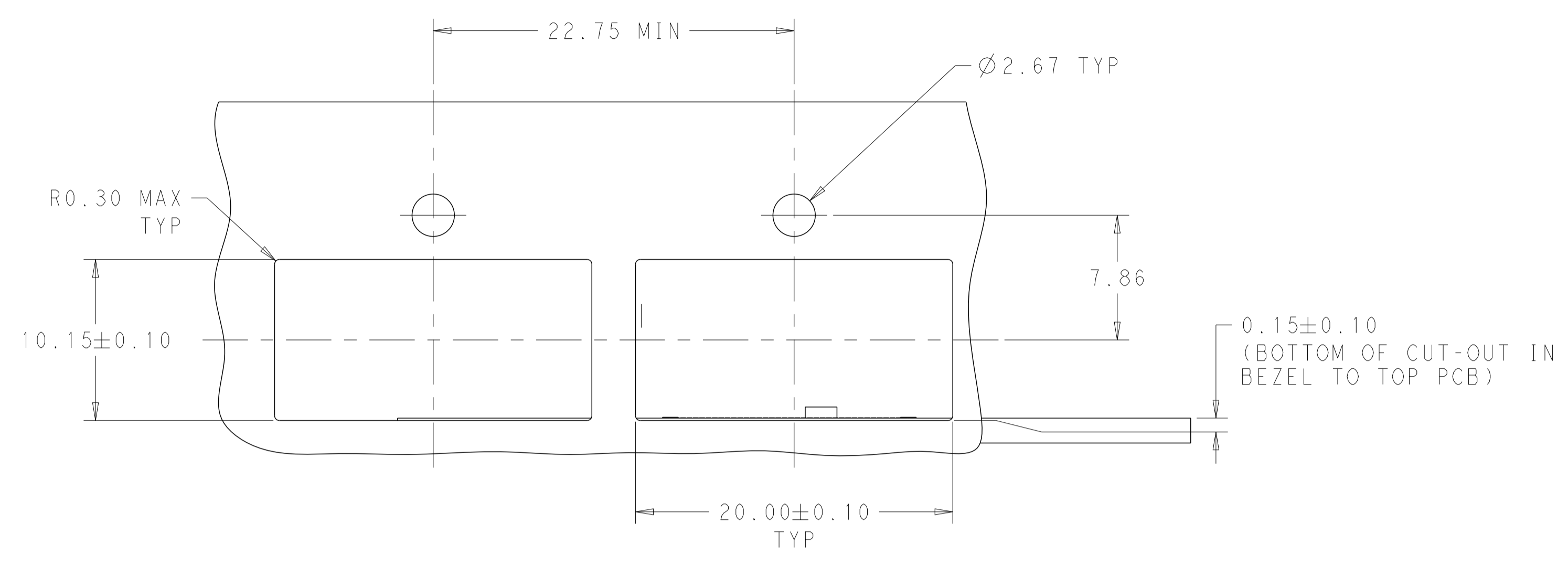
MATERIAL: -

WEIGHT: -

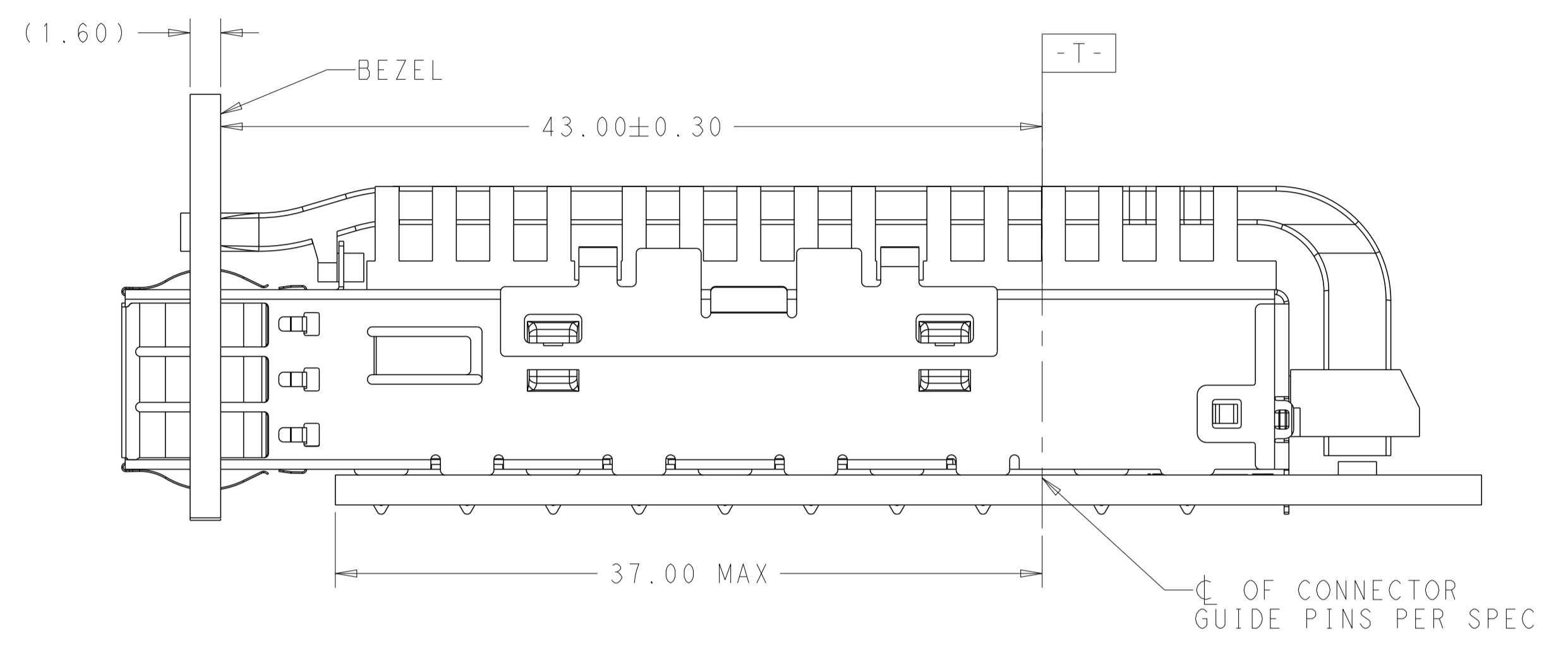
CUSTOMER DRAWING

SCALE: 2:1 SHEET 5 OF 9 REV D1

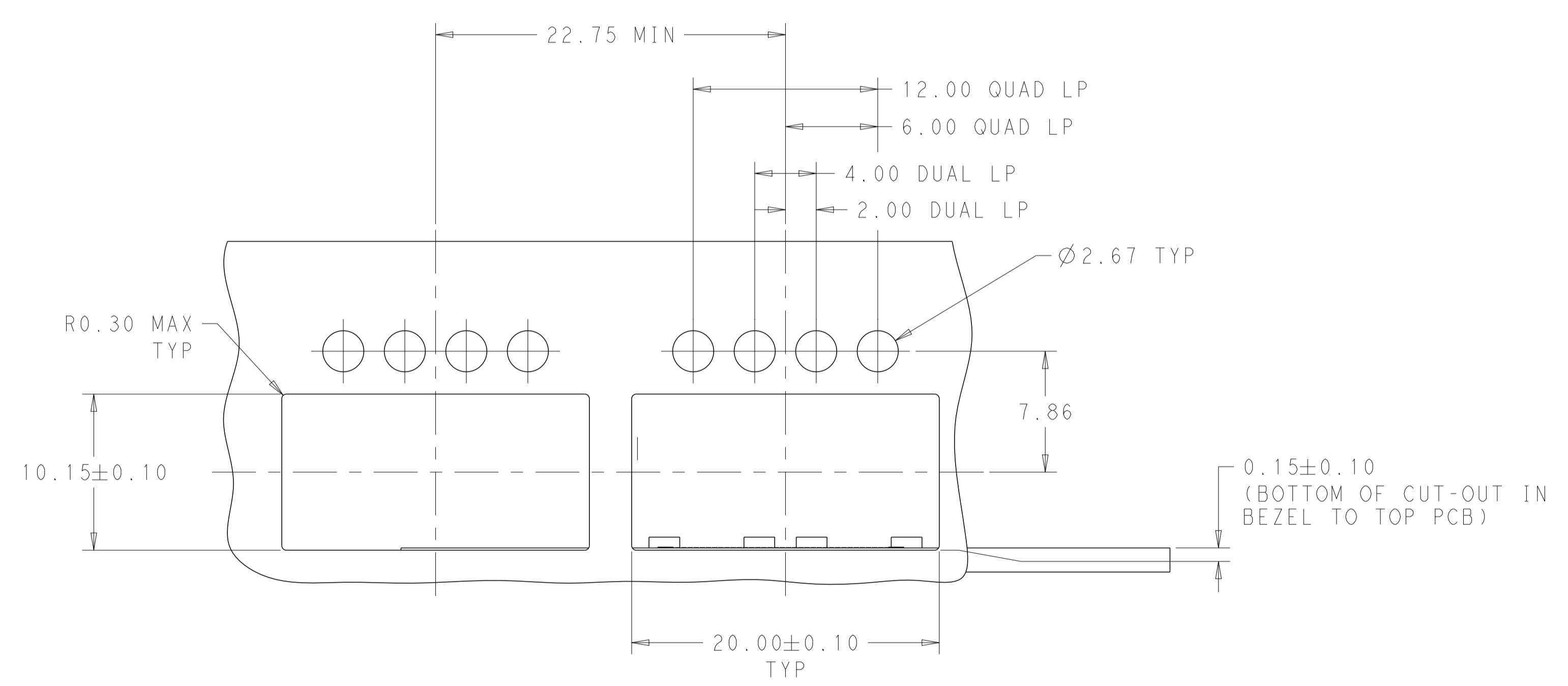
LOC	DIST	REV	DATE	BY	APPV
-	-	1	SEE SHEET 1	-	-



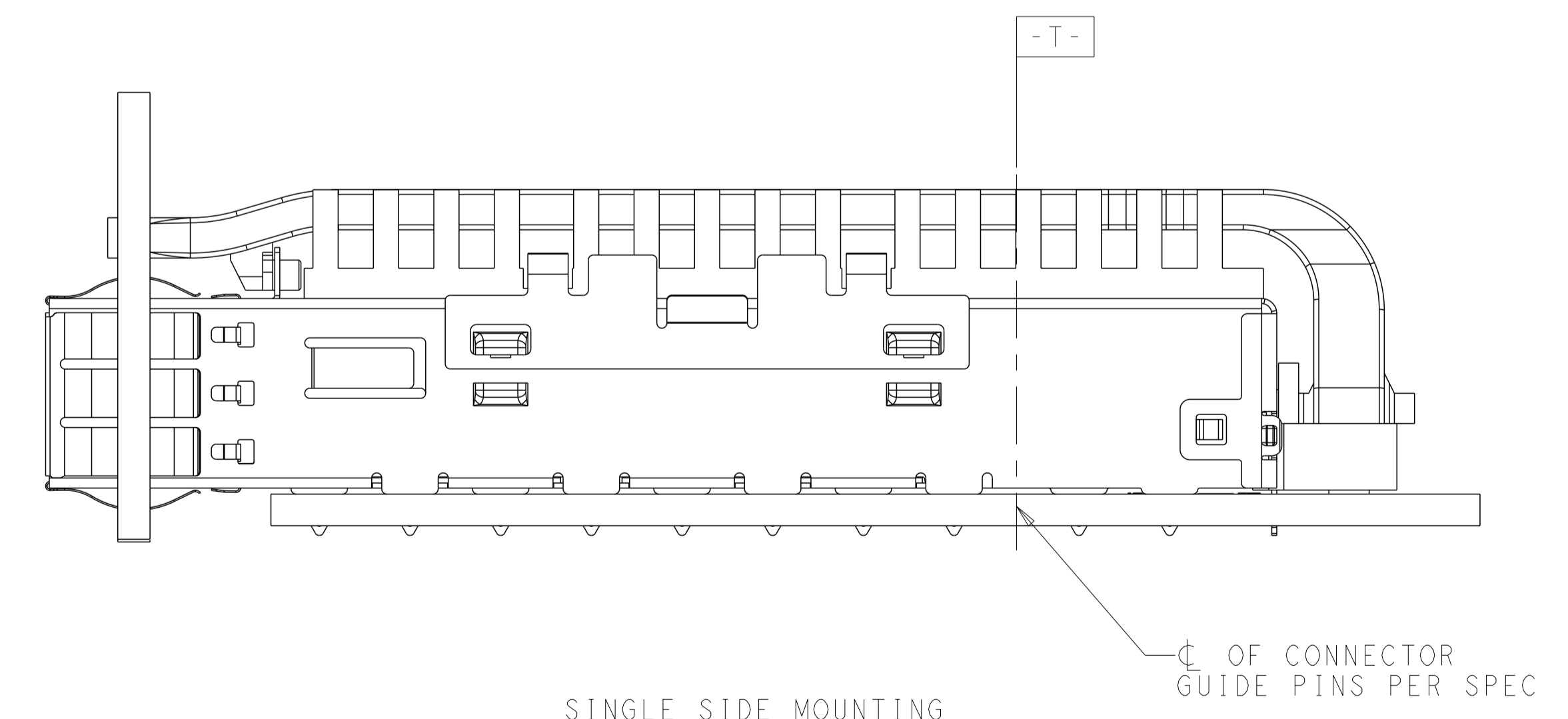
SINGLE LIGHT PIPE TYPE



SINGLE SIDE MOUNTING  
SCALE 4:1



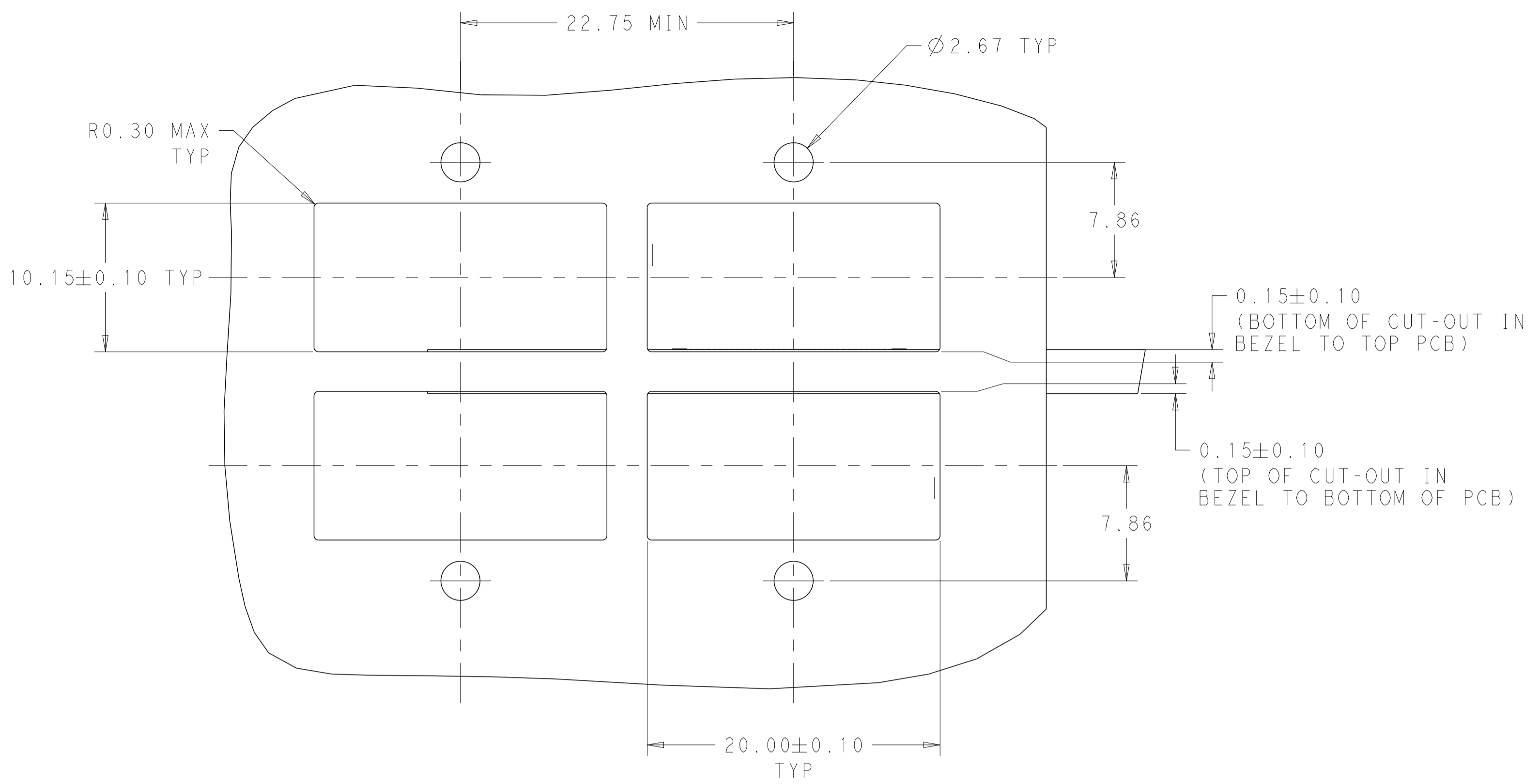
DUAL/QUAD LIGHT PIPE TYPE



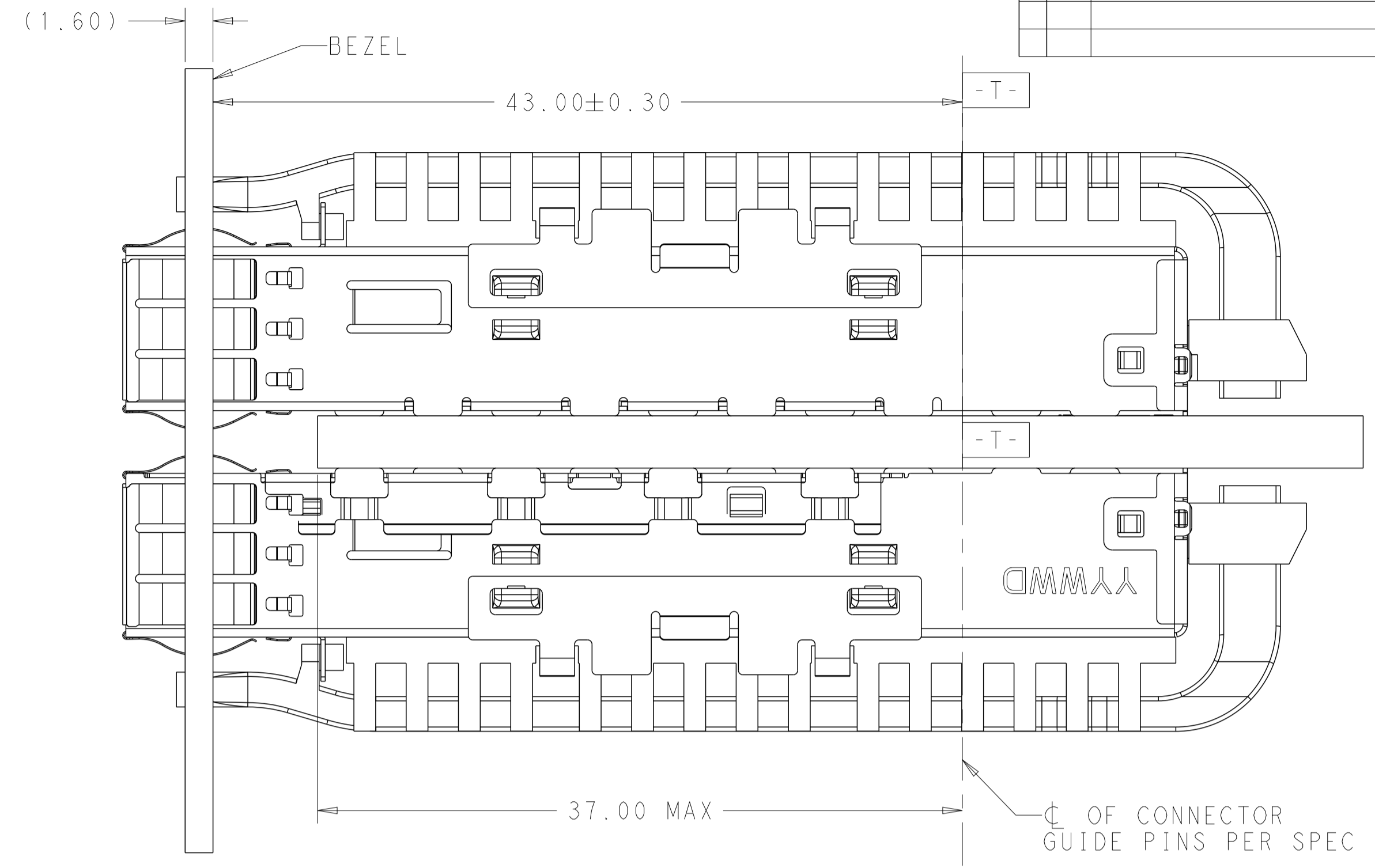
SINGLE SIDE MOUNTING  
SCALE 4:1

THIS DRAWING IS A CONTROLLED DOCUMENT.		OWN: JASON YANG 07MAR2014	TE Connectivity
DIMENSIONS: mm		CHK: SEAN HAN 26JAN2016	
TOLERANCES UNLESS OTHERWISE SPECIFIED:		APVD: SEAN HAN	NAME: CAGE ASSEMBLY, QSFP28, THRU BEZEL WITH EMI SPRING FINGER HEAT SINK, LIGHT PIPE
0 PLC	±0.25	PRODUCT SPEC	SIZE: 108-19428
1 PLC	±0.25	APPLICATION SPEC	SCALE: 2:1
2 PLC	±0.25	RESTRICTED TO	SHEET 6 OF 9
3 PLC	±0.25		REV D1
4 PLC	±0.100		
ANGLES	±"		
MATERIAL		WEIGHT	
FINISH		CUSTOMER DRAWING	

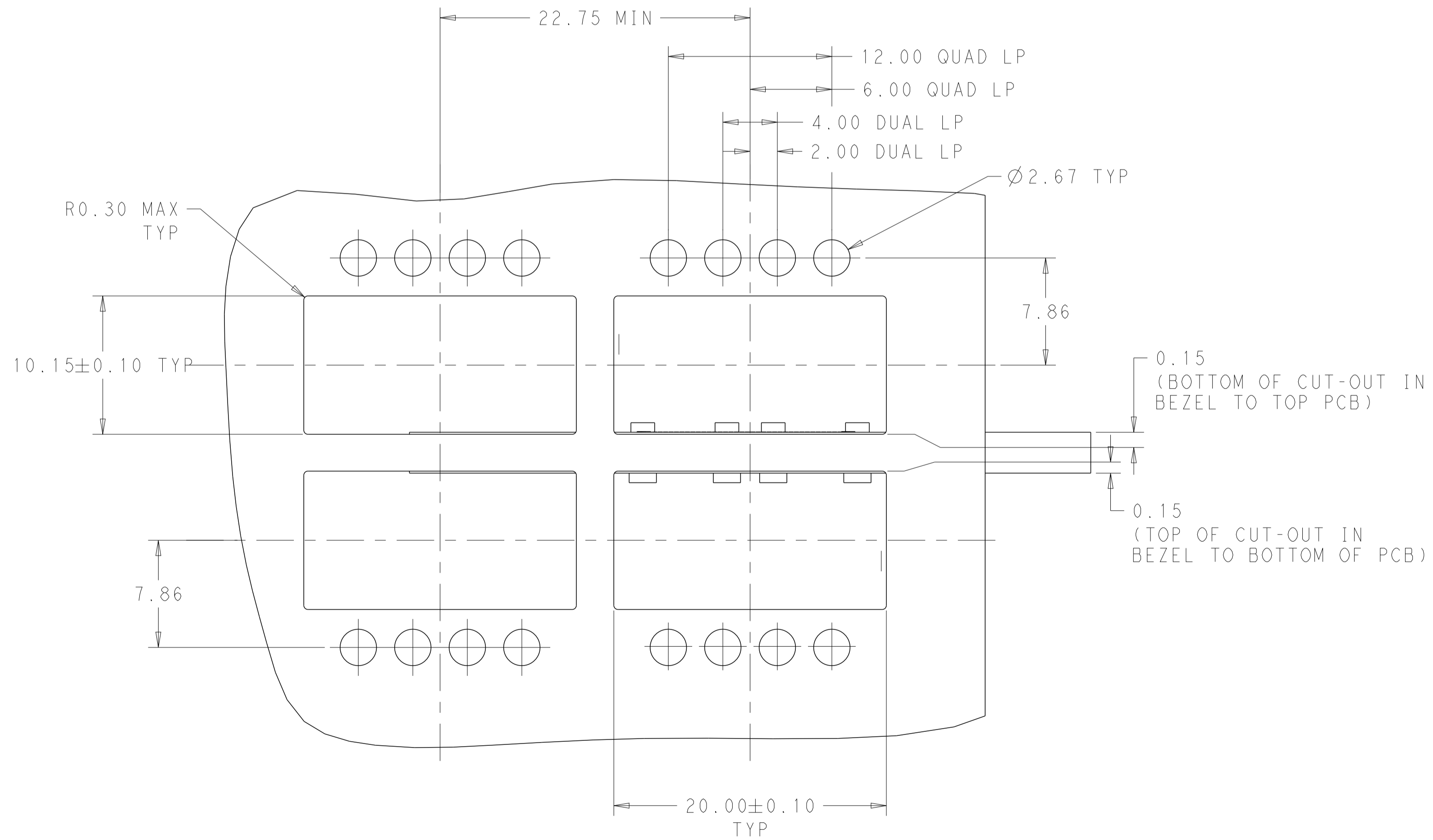
LOC		DIST		REVISIONS				
P	LTN	DATE	DMN	APVD	DESCRIPTION	DATE	DMN	APVD
-	-	-	-	-	SEE SHEET 1	-	-	-



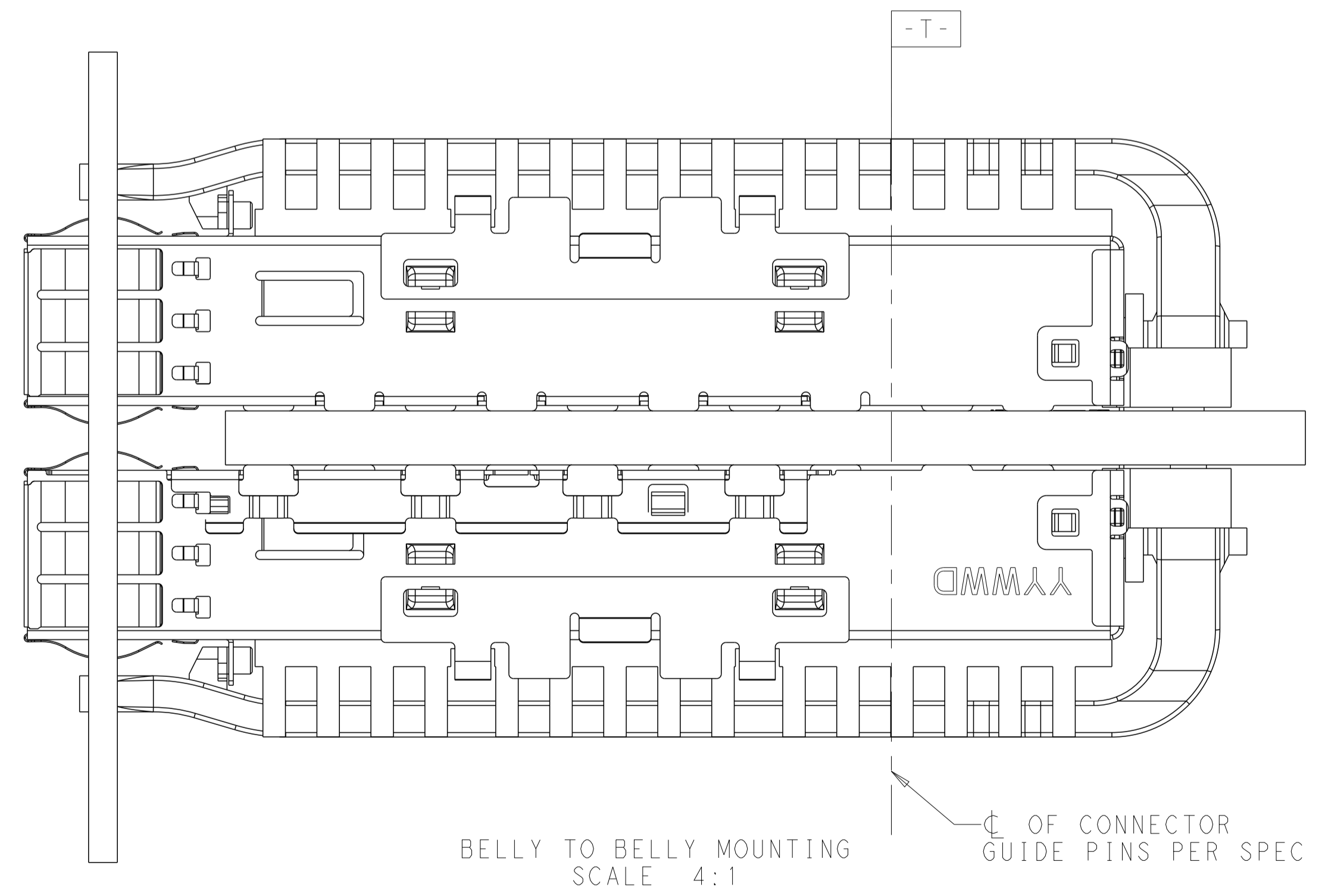
SINGLE LIGHT PIPE TYPE



BELLY TO BELLY MOUNTING SCALE 4:1



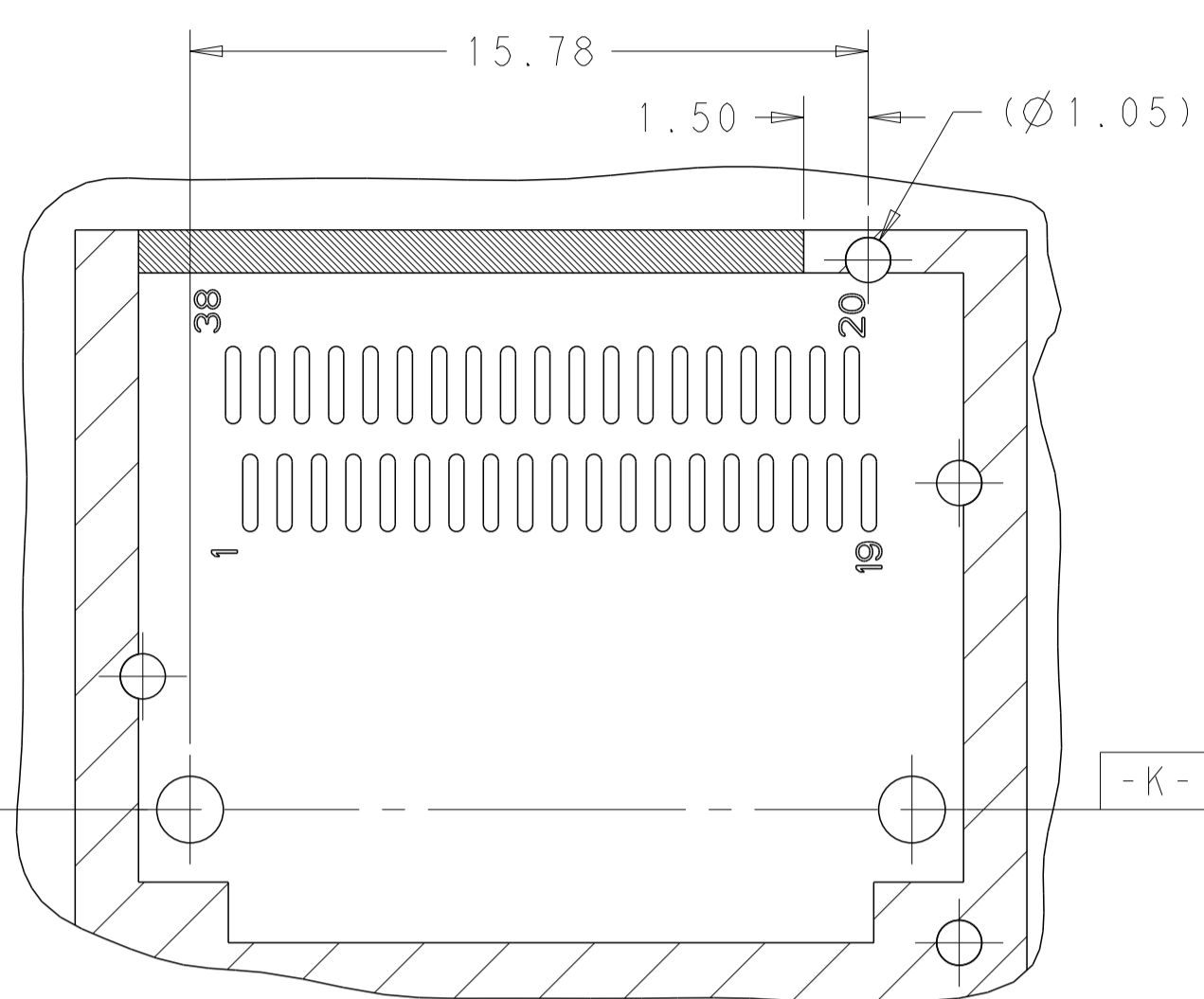
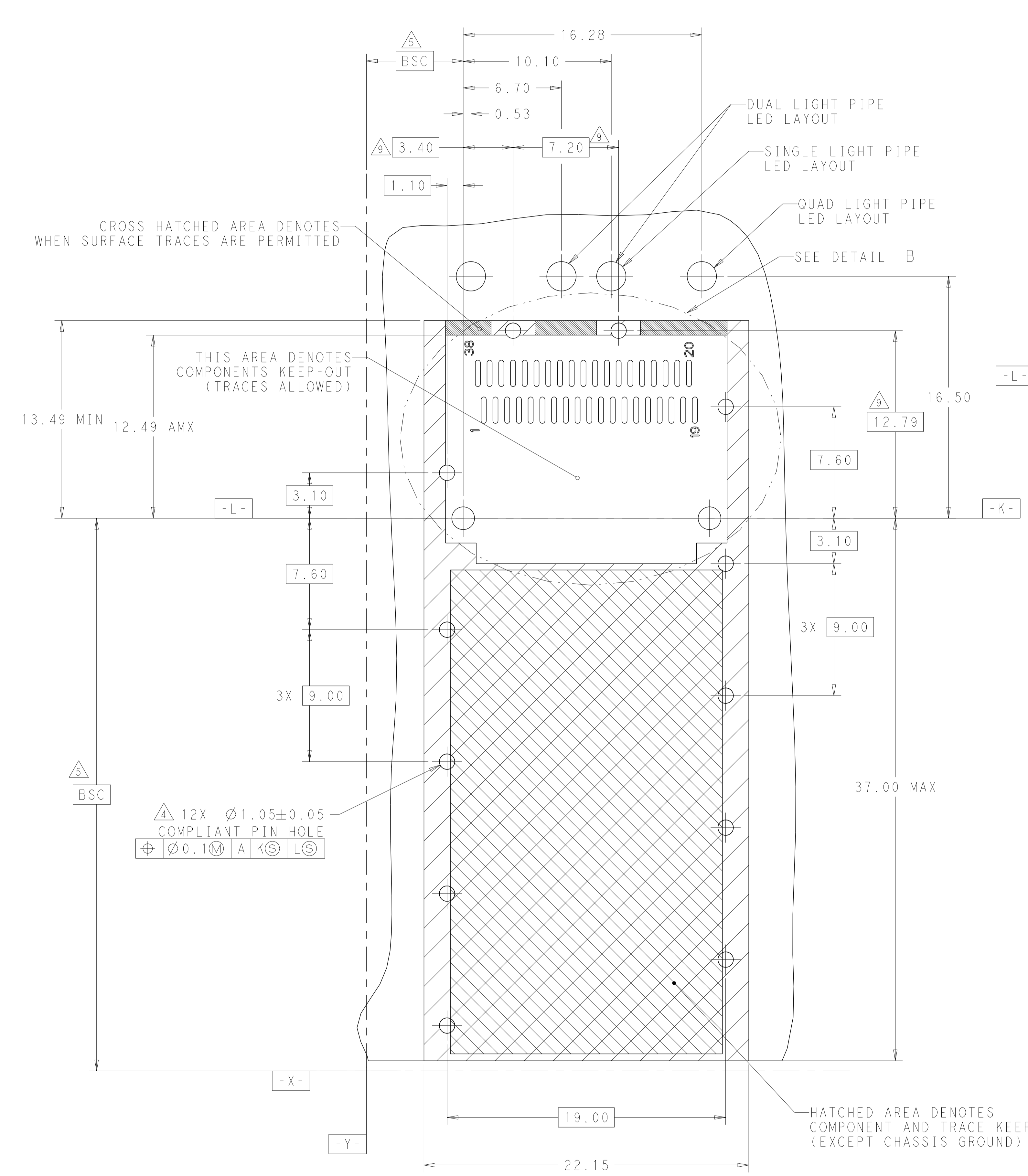
DUAL/QUAD LIGHT PIPE TYPE



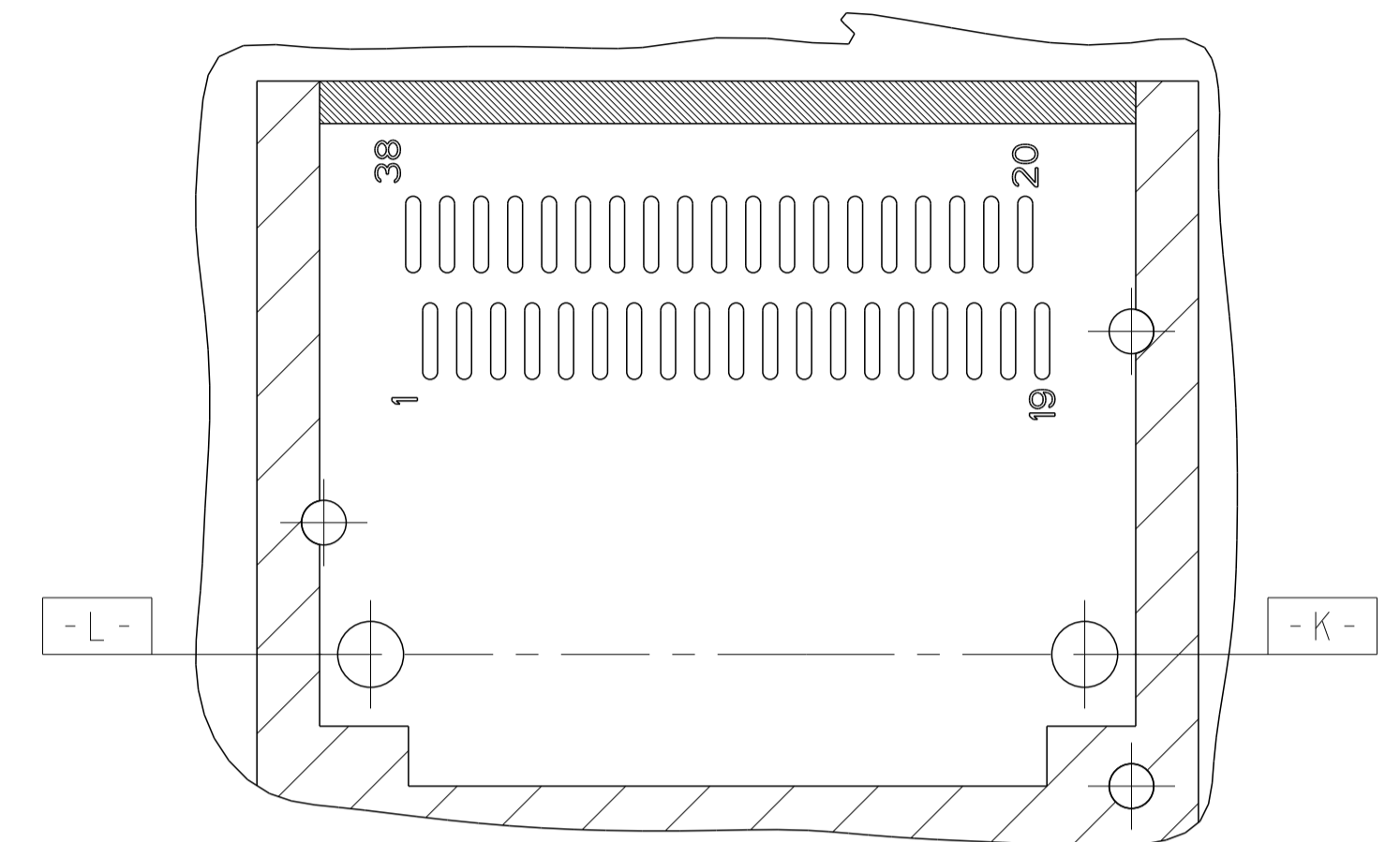
BELLY TO BELLY MOUNTING SCALE 4:1

THIS DRAWING IS A CONTROLLED DOCUMENT.		DMN: JASON YANG 07MAR2014	 TE Connectivity
DIMENSIONS: mm		CHK: SEAN HAN 26JAN2016	
TOLERANCES UNLESS OTHERWISE SPECIFIED:		APVD:	NAME: CAGE ASSEMBLY, QSPF28, THRU BEZEL WITH EMI SPRING FINGER HEAT SINK, LIGHT PIPE
0 PLC ±0.25		PRODUCT SPEC: 108-19428	SIZE: A1
1 PLC ±0.25		APPLICATION SPEC: 114-32023	CAGE CODE: 00779
2 PLC ±0.25		WEIGHT: -	DRAWING NO: 2170705
3 PLC ±0.25		CUSTOMER DRAWING	SCALE: 2:1
4 PLC ±0.100			SHEET: 7 of 9
ANGLES ±°			REV: D1
FINISH			

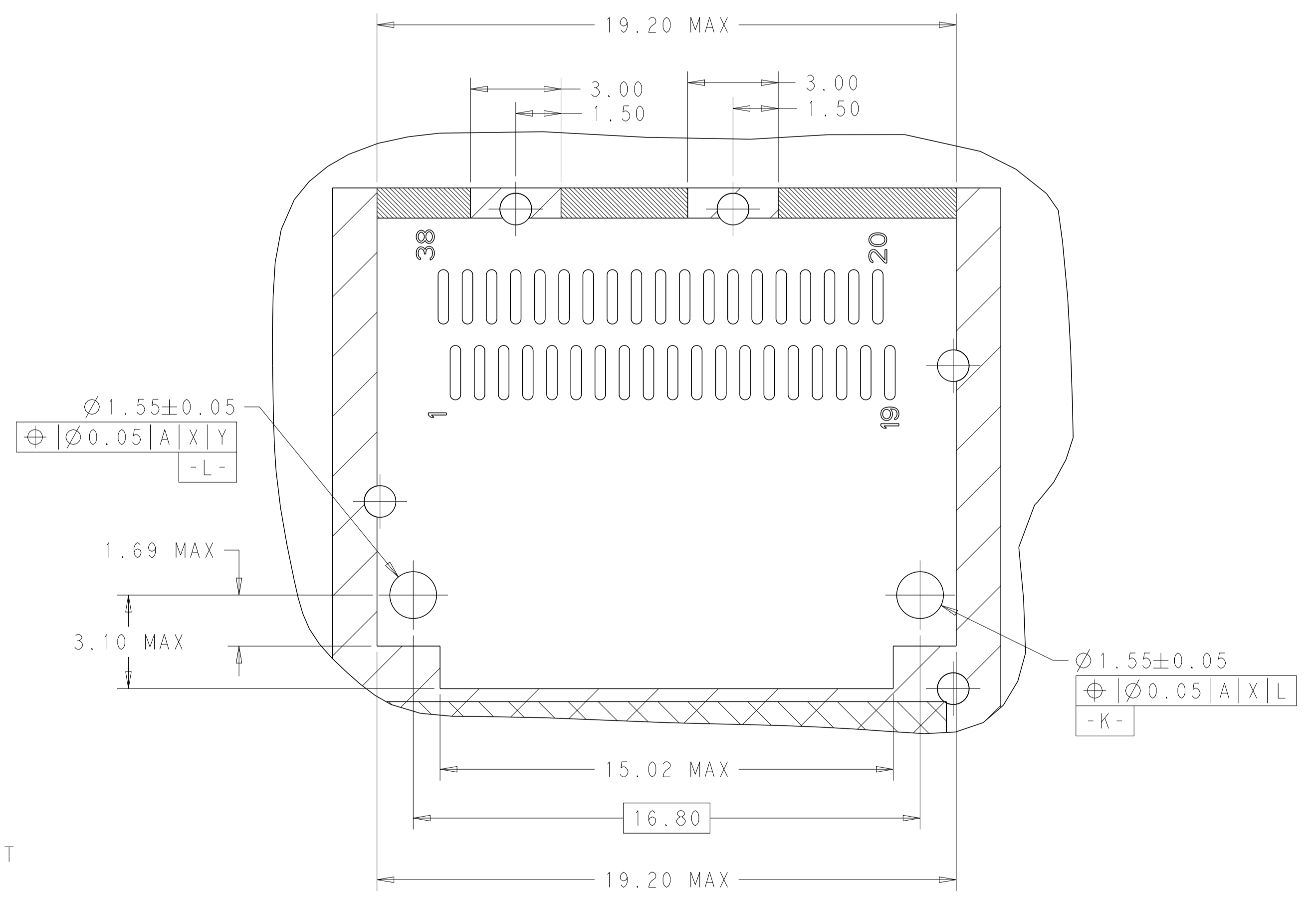
LOC	DIST	REV	DATE	BY	APPV
-	-	1	26 JAN 2016	SEAN HAN	-



RECOMMENDED PCB LAYOUT  
SINGLE TYPE OF 1 REAR HOLES OF LEGS  
PCB TOLERANCE: ±0.05  
SCALE 6:1



RECOMMENDED PCB LAYOUT  
SINGLE TYPE OF 0 REAR HOLES OF LEGS  
PCB TOLERANCE: ±0.05  
SCALE 6:1



DETAIL B  
SCALE 8:1

RECOMMENDED PCB LAYOUT  
SINGLE TYPE OF 2 REAR HOLES OF LEGS  
PCB TOLERANCE: ±0.05  
SCALE 6:1

12X Ø1.05±0.05  
COMPLIANT PIN HOLE  
Ø0.1 | M | A | K | S | L | S

HATCHED AREA DENOTES  
COMPONENT AND TRACE KEEP-OUT  
(EXCEPT CHASSIS GROUND)

THIS DRAWING IS A CONTROLLED DOCUMENT.		OWN: JASON YANG 07MAR2014	TE Connectivity
DIMENSIONS: mm		CHK: SEAN HAN 26JAN2016	
TOLERANCES UNLESS OTHERWISE SPECIFIED:		APVD:	NAME:
0 PLC ±0.25	1 PLC ±0.25	PRODUCT SPEC:	CAGE ASSEMBLY, QSPF28, THRU BEZEL
2 PLC ±0.20	3 PLC ±0.20	APPLICATION SPEC:	WITH EMI SPRING FINGER
4 PLC ±0.100	ANGLES ±°	SIZE:	HEAT SINK, LIGHT PIPE
MATERIAL:	FINISH:	WEIGHT:	RESTRICTED TO:
CUSTOMER DRAWING		114-32023	A100779C=2170705
SCALE 2:1		SHEET 8 OF 9	REV D1