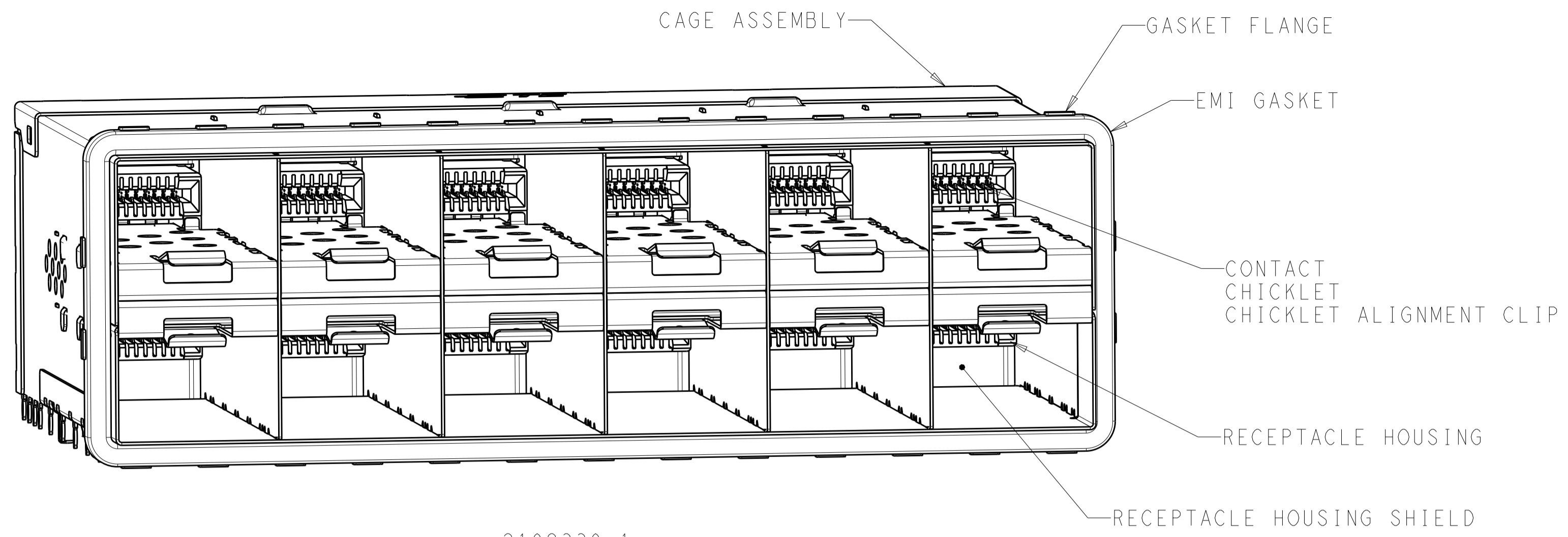
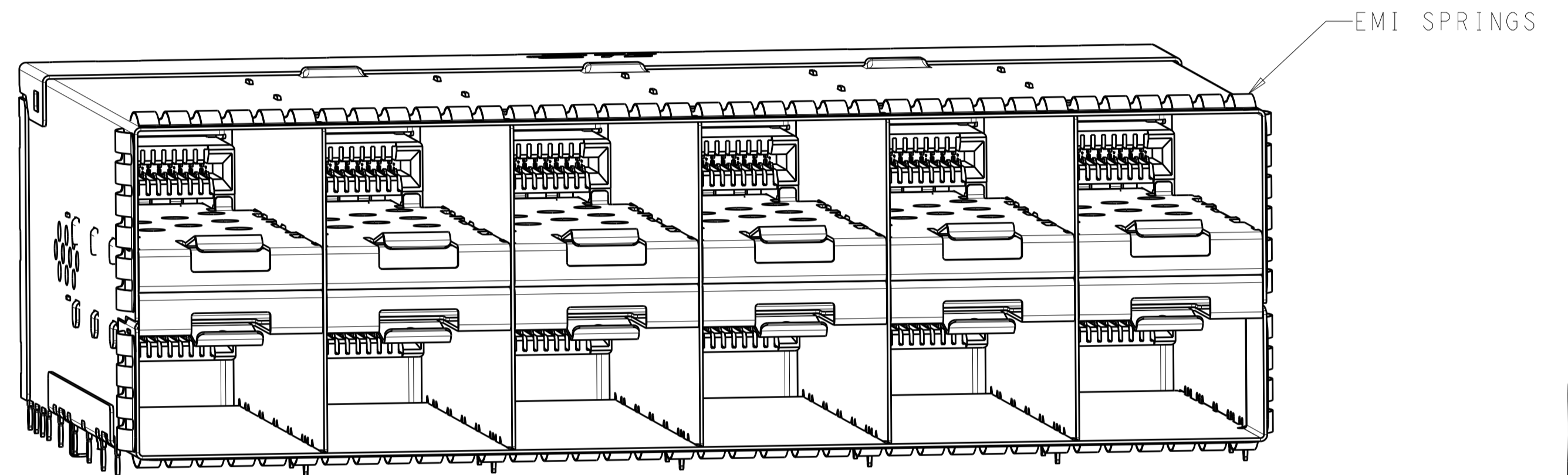


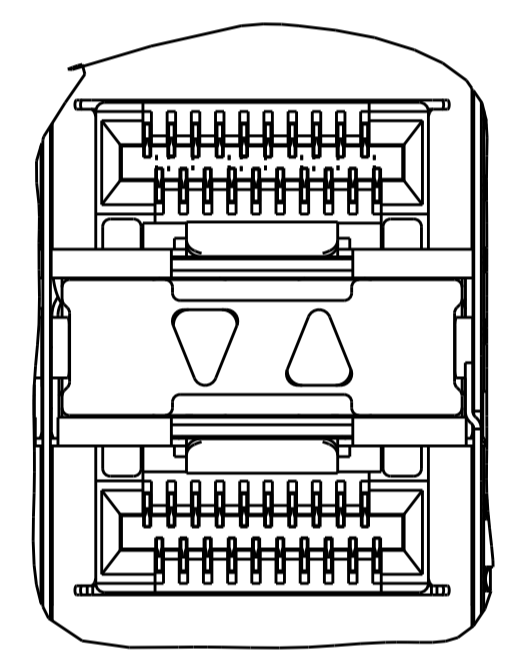
| LOC |  | DIST |  | REVISIONS |     |                            |           |     |      |
|-----|--|------|--|-----------|-----|----------------------------|-----------|-----|------|
| GP  |  | 00   |  | P         | LTN | DESCRIPTION                | DATE      | OWN | APVD |
| A   |  |      |  |           |     | RELEASED PER ECO-14-008758 | 16JUN2014 | CJV | PAR  |
| B   |  |      |  |           |     | REVISED PER ECO-15-010819  | 10AUG2015 | PP  | SH   |
| B1  |  |      |  |           |     | REVISED PER ECO-16-004263  | 17MAR2016 | KQ  | SH   |
| B2  |  |      |  |           |     | REVISED PER ECO-16-013988  | 05SEP2016 | PP  | SH   |



2198339-1  
SCALE 3:1



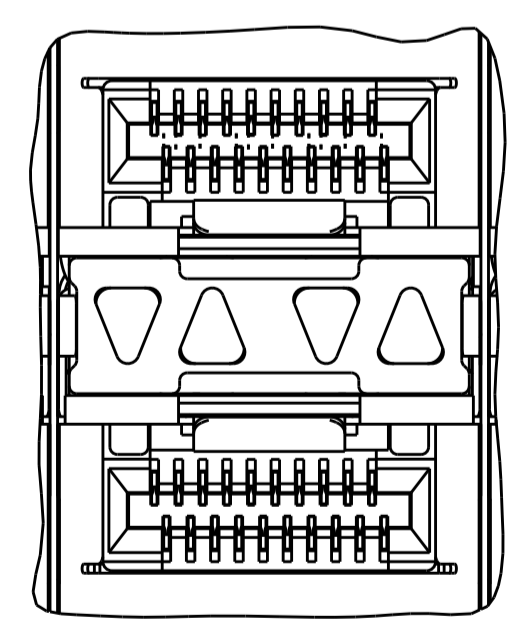
2198339-5  
SCALE 3:1



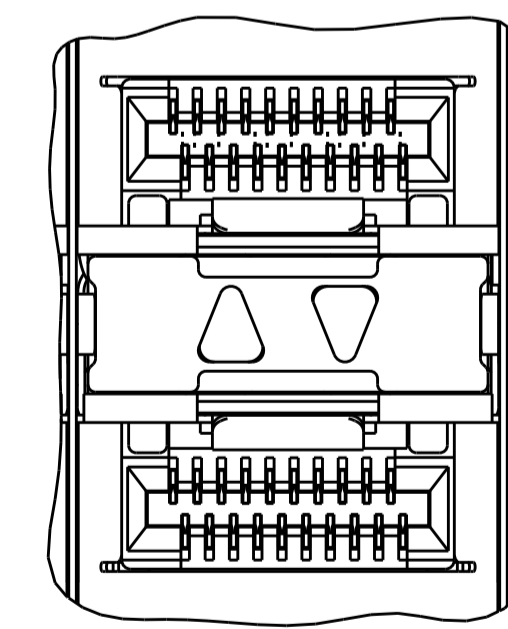
REVERSED INNER LIGHT PIPES  
2-2198339-1  
SCALE 4:1

- MATERIALS:  
 CAGE ASSEMBLY - NICKEL-SILVER ALLOY PER ASTM B 122  
 CONNECTOR HOUSING - LCP, BLACK, UL 94V-0 RATED  
 CONNECTOR HOUSING SHIELD - COPPER ALLOY  
 CHICKLET - LCP, BLACK, UL 94V-0 RATED  
 CHICKLET ALIGNMENT CLIP - PBT  
 CONTACT - COPPER ALLOY  
 EMI GASKET - ELASTOMERIC  
 GASKET FLANGE - STAINLESS STEEL  
 EMI SPRINGS - PHOSPHOR BRONZE PER ASTM B 103,  
 0.8µm MIN TIN PER ASTM B 545  
 LIGHT PIPE - POLYCARBONATE  
 LIGHT PIPE HOUSING - ZINC ALLOY
  - CONTACT FINISH:  
 CONFORMS TO THE REQUIREMENTS OF PRODUCT SPECIFICATION 108-2481, BASED ON EIA/ECA-364-1000.01A. (CONTROLLED ENVIRONMENT APPLICATIONS) ON MATING INTERFACE, TIN ON NEEDLE EYE
  - PCB MINIMUM THICKNESS = 1.5mm
- ⚠ FOR HOLE SIZE AND PLATINGS, SEE APPLICATION SPECIFICATION 114-13319
- ⚠ LIGHT PIPE PAD LAYOUT IS FOR 0805 LOW PROFILE LED PACKAGE WITH A HEIGHT OF 0.8mm
- ⚠ DIMENSIONS APPLY FOR EMI SPRINGS ONLY
- ⚠ THE ENTIRE AREA OF THE CONNECTOR FOOTPRINT, INDICATED BY THE DASHED LINE, TO BE CONSIDERED THE KEEPOUT AREA FOR COMPONENTS AND SIGNAL TRACES, TOP SIDE ONLY, TOP SIDE TRACES ALLOWED WITHIN CONNECTOR HOLE PATTERN

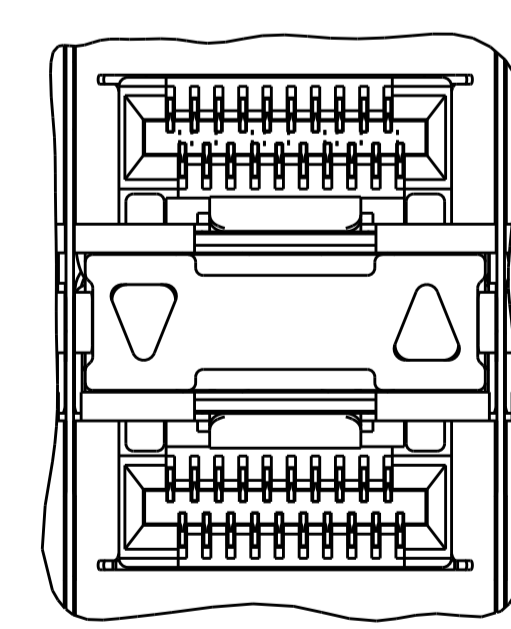
|       |                                 |                          |             |
|-------|---------------------------------|--------------------------|-------------|
| 88    | EMI SPRING AIRFLOW ENHANCE TYPE | NONE                     | 3-2198339-1 |
| 90.75 | EMI GASKET AIRFLOW ENHANCE TYPE | NONE                     | 3-2198339-0 |
| 88    | EMI SPRINGS                     | REVERSED INNER           | 2-2198339-1 |
|       |                                 | REVERSED OUTER           | 2-2198339-0 |
| 90.75 | EMI GASKET                      | CENTER/REVERSED OUTER    | 1-2198339-9 |
|       |                                 | REVERSED OUTER           | 1-2198339-8 |
| 90.75 | EMI GASKET                      | CENTER/REVERSED OUTER    | 1-2198339-7 |
|       |                                 | REVERSED OUTER           | 1-2198339-8 |
| 88    | EMI SPRINGS                     | INNER/OUTER              | 2198339-6   |
|       |                                 | INNER                    | 2198339-7   |
|       |                                 | OUTER                    | 2198339-8   |
| 90.75 | EMI GASKET                      | INNER/OUTER              | 2198339-2   |
|       |                                 | INNER                    | 2198339-3   |
|       |                                 | OUTER                    | 2198339-4   |
|       |                                 | NONE                     | 2198339-1   |
| (E)   | CAGE TYPE                       | LIGHT PIPE CONFIGURATION | PART NUMBER |



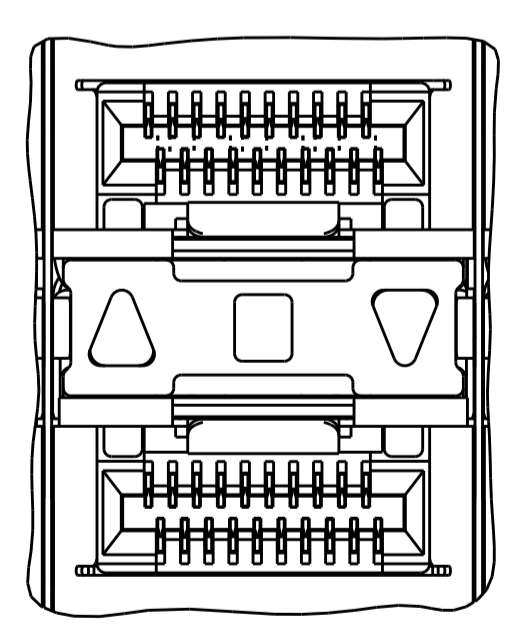
INNER/OUTER LIGHT PIPES  
2198339-2, 2198339-6  
SCALE 4:1



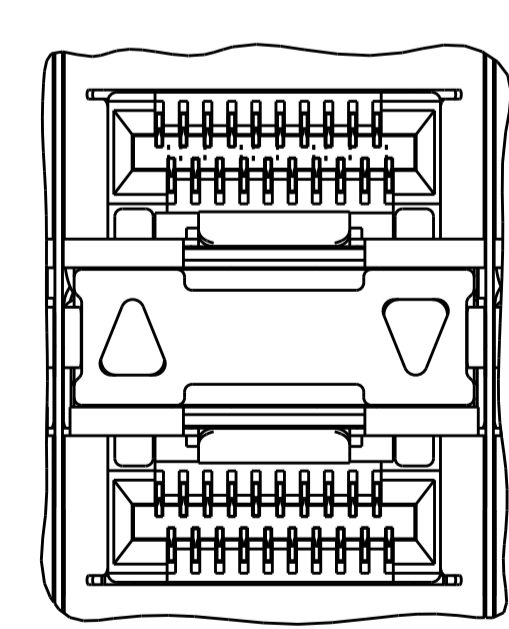
INNER LIGHT PIPES  
2198339-3, 2198339-7  
SCALE 4:1



OUTER LIGHT PIPES  
2198339-4, 2198339-8  
SCALE 4:1



CENTER/REVERSED OUTER  
1-2198339-7, 1-2198339-9  
SCALE 4:1



REVERSED OUTER  
1-2198339-8, 2-2198339-0  
SCALE 4:1

THIS DRAWING IS A CONTROLLED DOCUMENT.

OWN: M.E. CONNER 07DEC2011  
 CHK: M.D. MORRISON 13DEC2011  
 APVD: M.D. MORRISON 13DEC2011

STE TE Connectivity

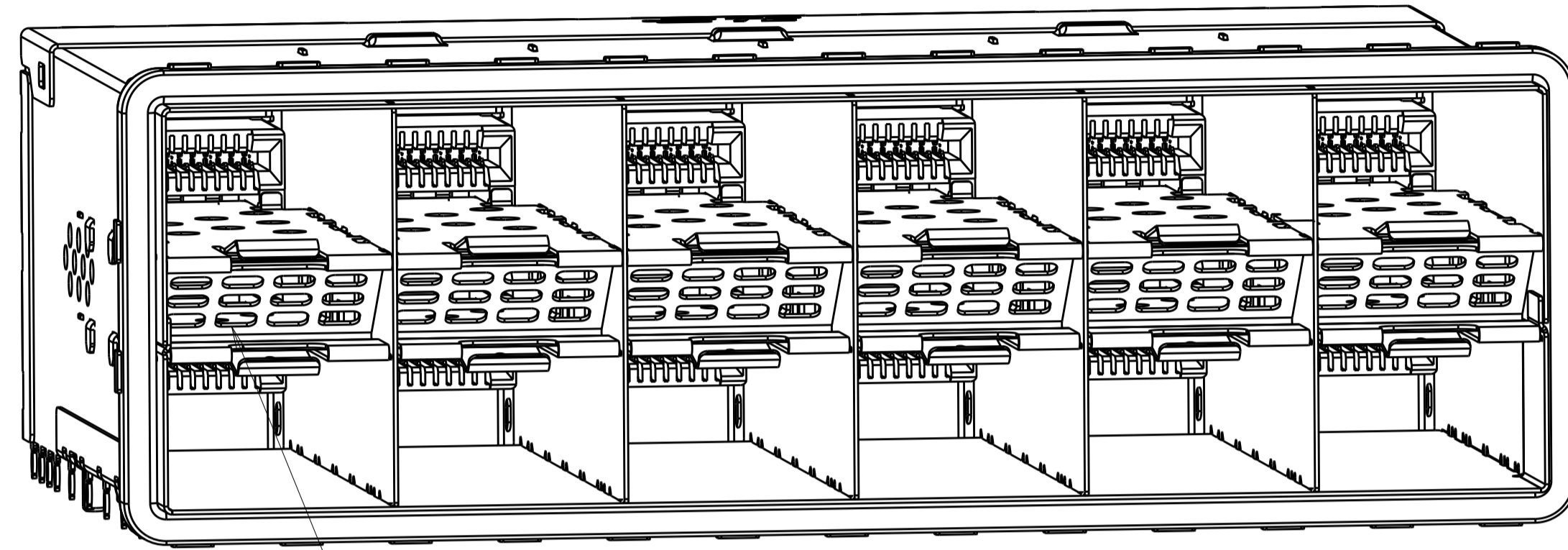
NAME: RECEPTACLE ASSEMBLY ,2X6 STACKED, 2SFP+

PRODUCT SPEC: 108-2481  
 APPLICATION SPEC: 114-13319

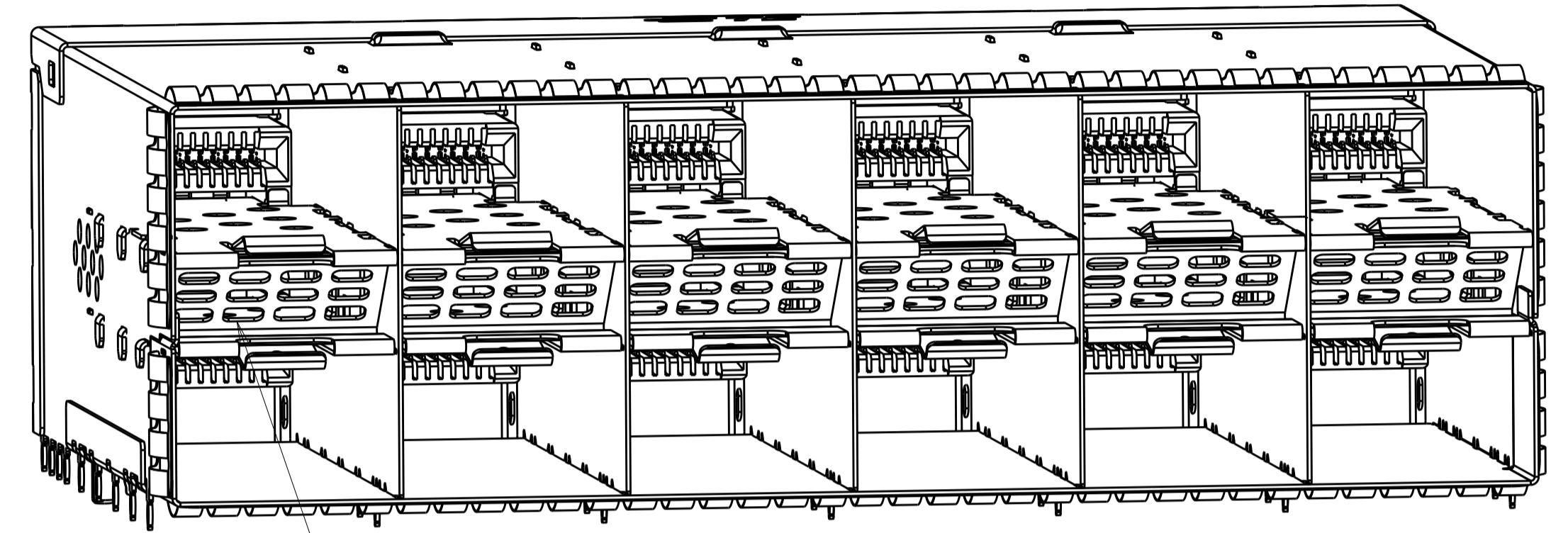
SIZE: CAGE CODE DRAWING NO: A100779  
 WEIGHT: 2198339

CUSTOMER DRAWING SCALE: 1:1 SHEET 1 OF 6 REV: B2

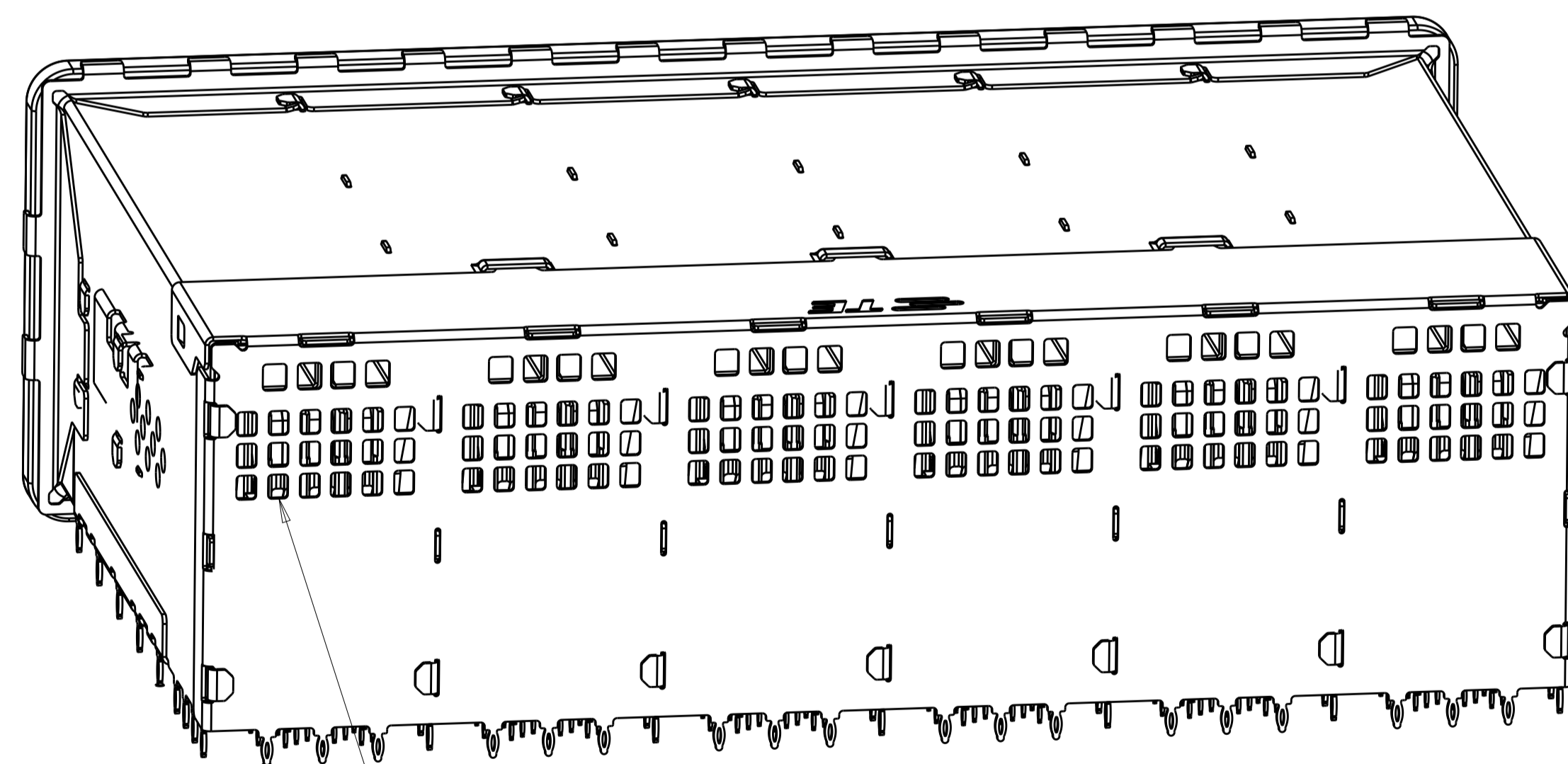
# AIRFLOW ENHANCE TYPE



AIR VENTS

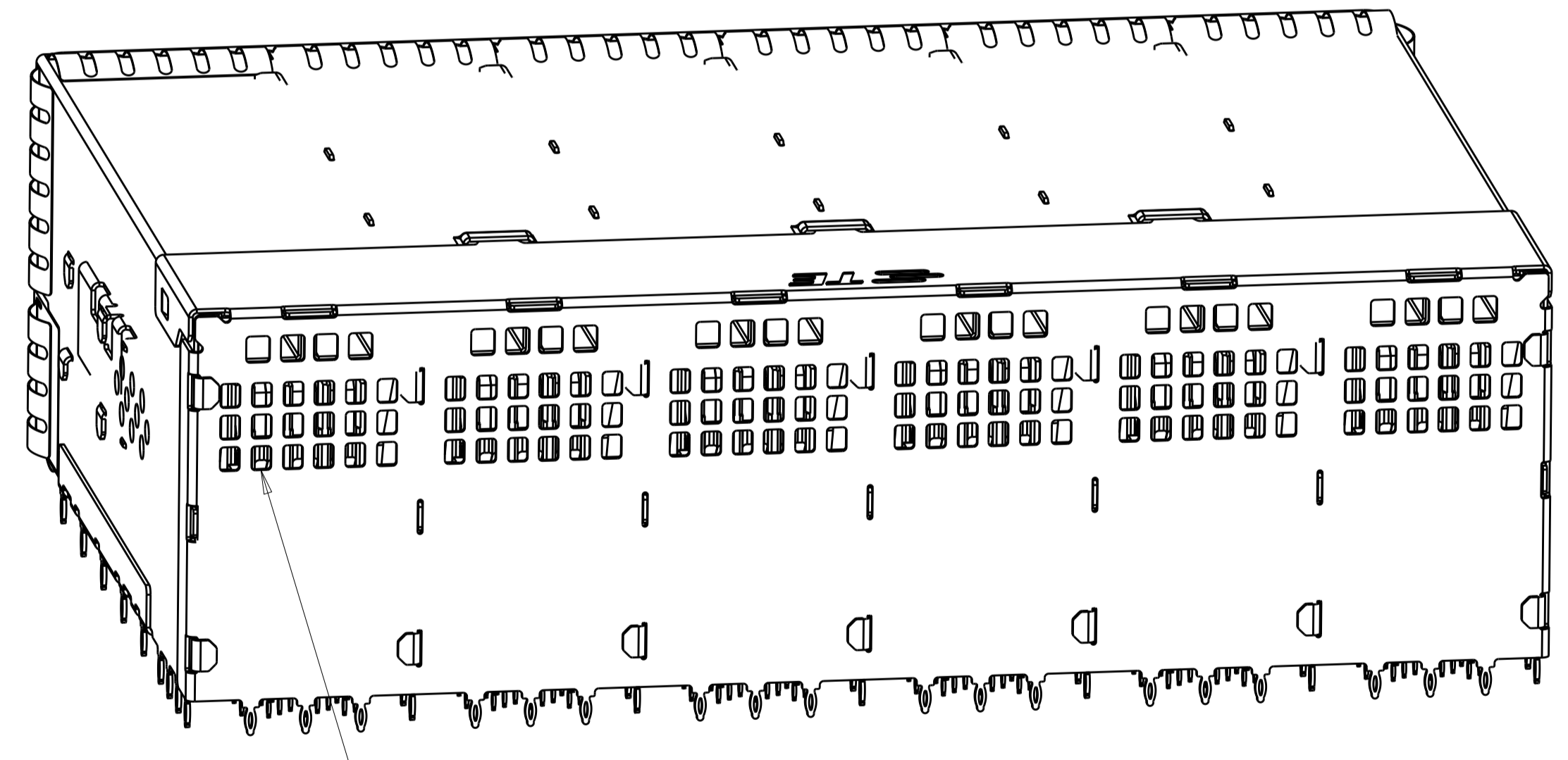


AIR VENTS



AIR VENTS

3-2198339-0  
EMI GASKET TYPE



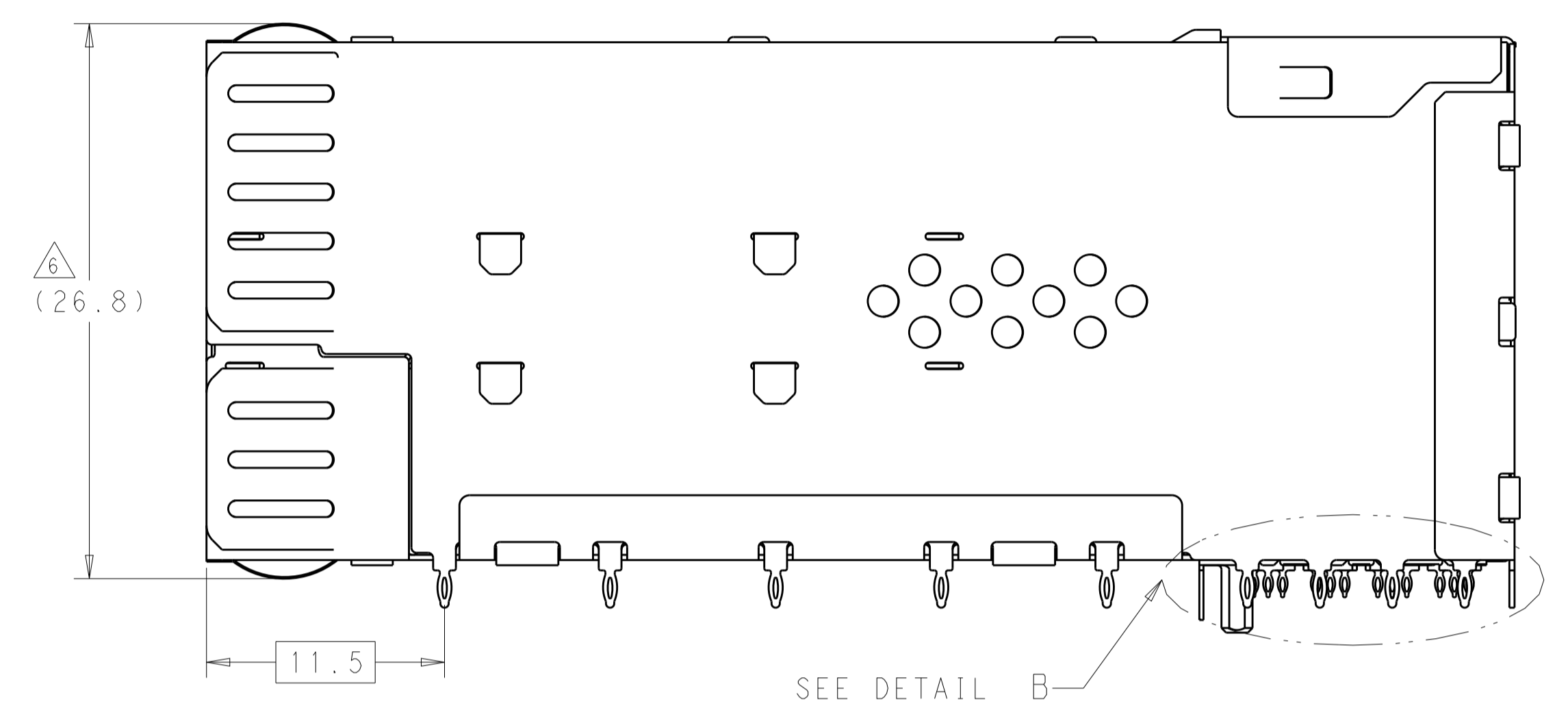
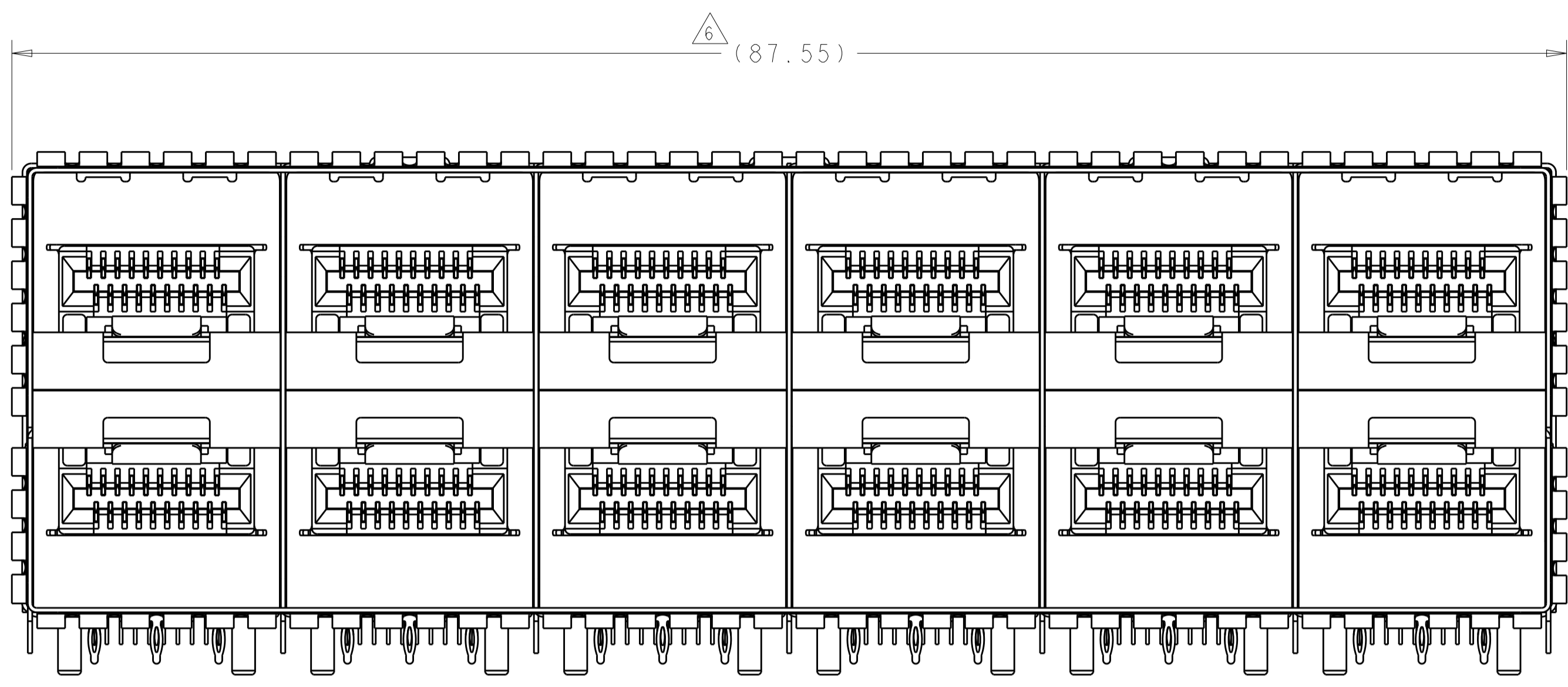
AIR VENTS

3-2198339-1  
EMI SPRING TYPE

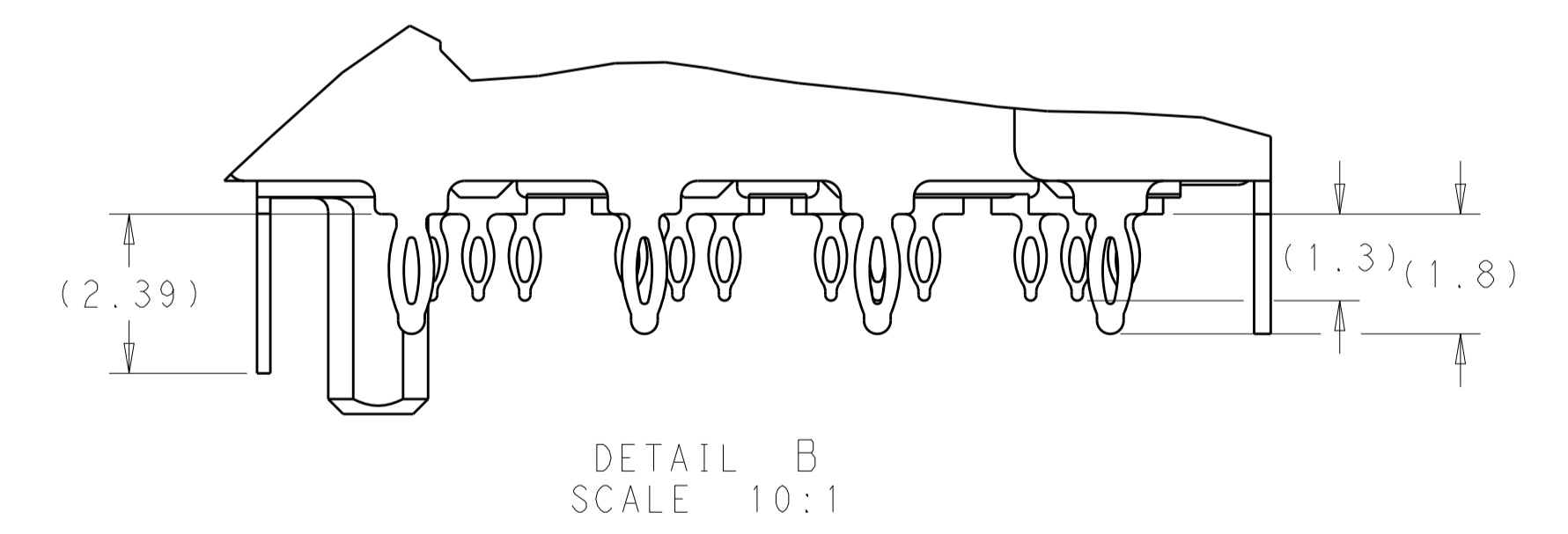
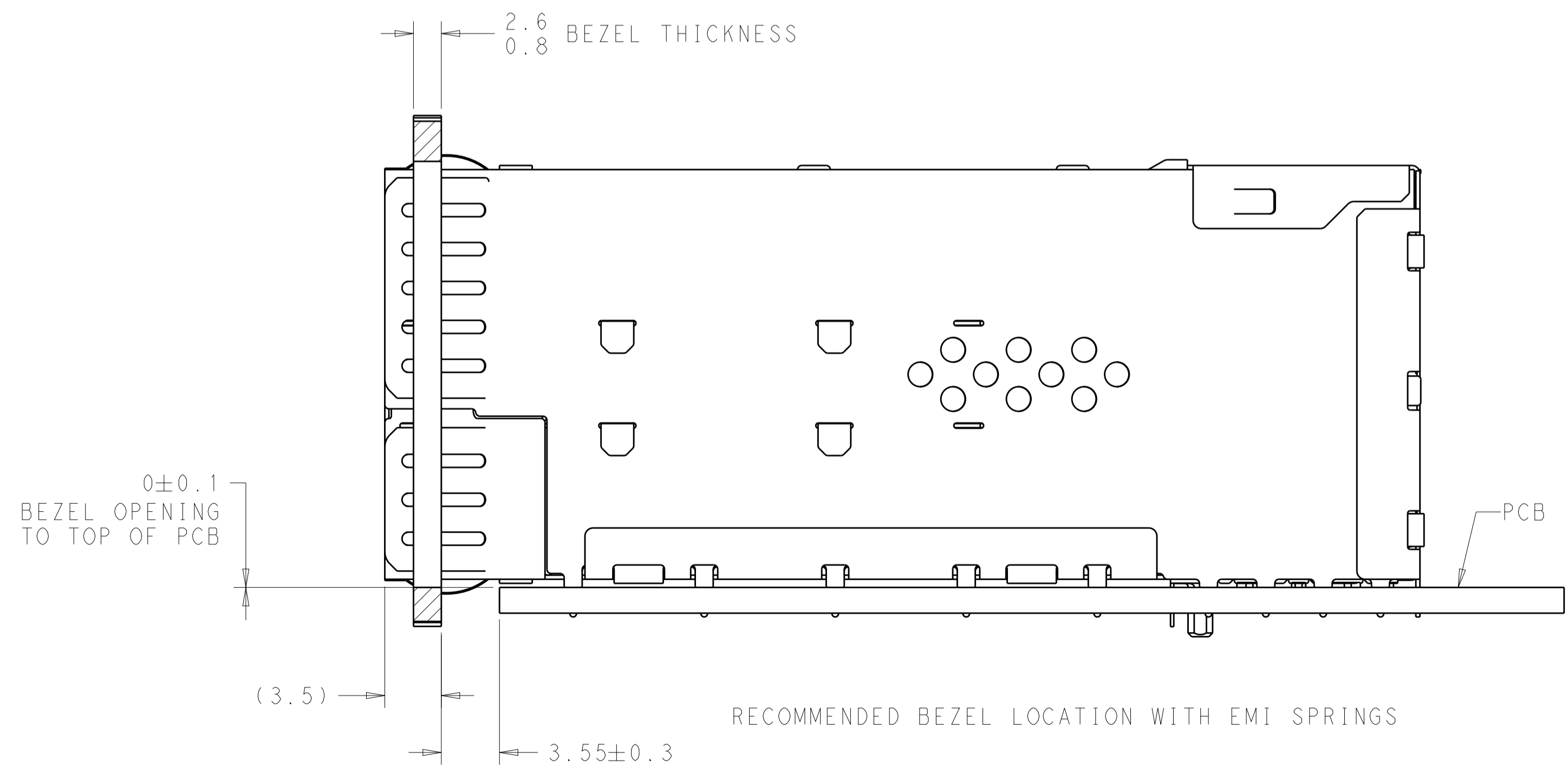
| LOC | DIST | REVISIONS   |      |     |      |
|-----|------|-------------|------|-----|------|
| P.  | LTN  | DESCRIPTION | DATE | DWN | APVD |
| -   | -    | SEE SHEET 1 | -    | -   | -    |

|  |  |  |   |
|--|--|--|---|
| THIS DRAWING IS A CONTROLLED DOCUMENT.                                       |  | DWN: M.E. CONNER 07DEC2011   |   |
| DIMENSIONS: mm   |  | CHK: M.D. MORRISON 13DEC2011                                       |   |
| TOLERANCES UNLESS OTHERWISE SPECIFIED:                                       |  | APVD: M.D. MORRISON 13DEC2011                                      | <b>RECEPTACLE ASSEMBLY ,2X6 STACKED, zSFP+</b>                            |
| 0 PLC ±<br>1 PLC ±0.20<br>2 PLC ±0.15<br>3 PLC ±0.10<br>4 PLC ±<br>ANGLES ±° |  | PRODUCT SPEC: 108-2481<br>APPLICATION SPEC: 114-13319<br>WEIGHT: - |   |
| MATERIAL: SEE NOTES  |  | FINISH: SEE NOTES  | SIZE: A1<br>CAGE CODE: 00779<br>DRAWING NO: C=2198339<br>CUSTOMER DRAWING |
|  |  | SCALE: 1:1   | SHEET 2 OF 6<br>REV B2  |

| LOC | DIST | REVISIONS   |      |     |      |
|-----|------|-------------|------|-----|------|
| P.  | LTN  | DESCRIPTION | DATE | DMN | APVD |
| -   | -    | SEE SHEET 1 | -    | -   | -    |
|     |      |             |      |     |      |
|     |      |             |      |     |      |

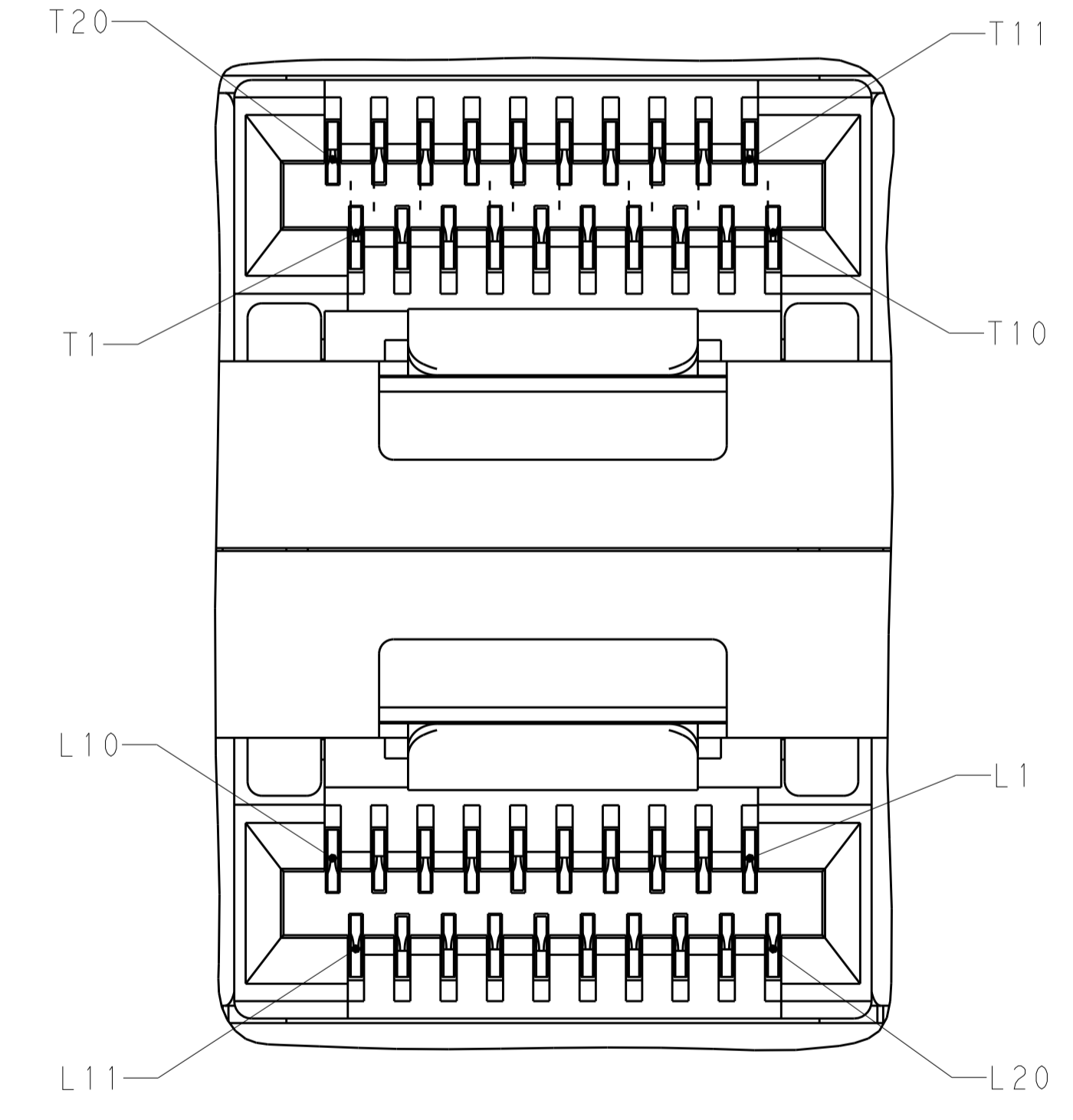
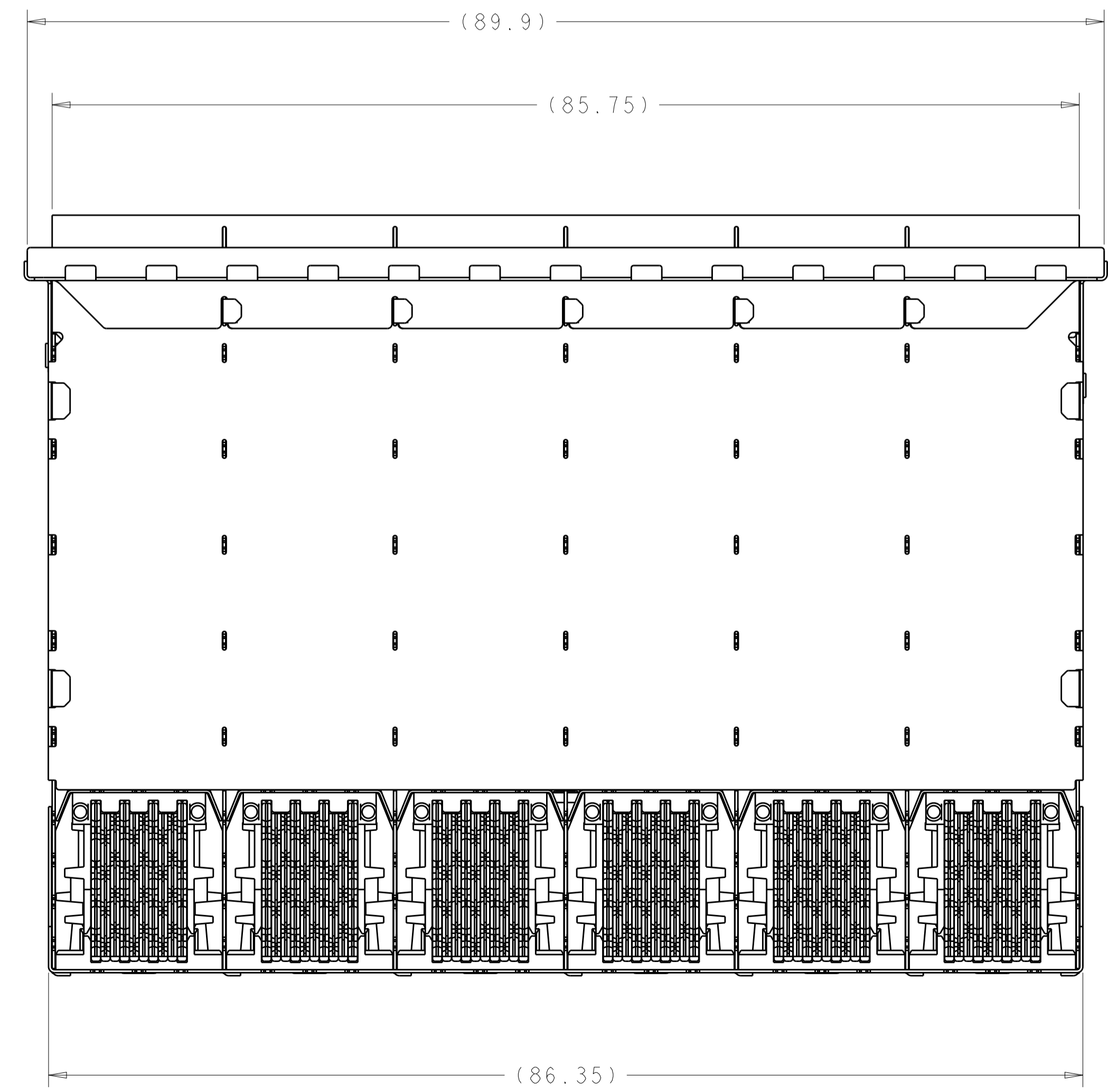
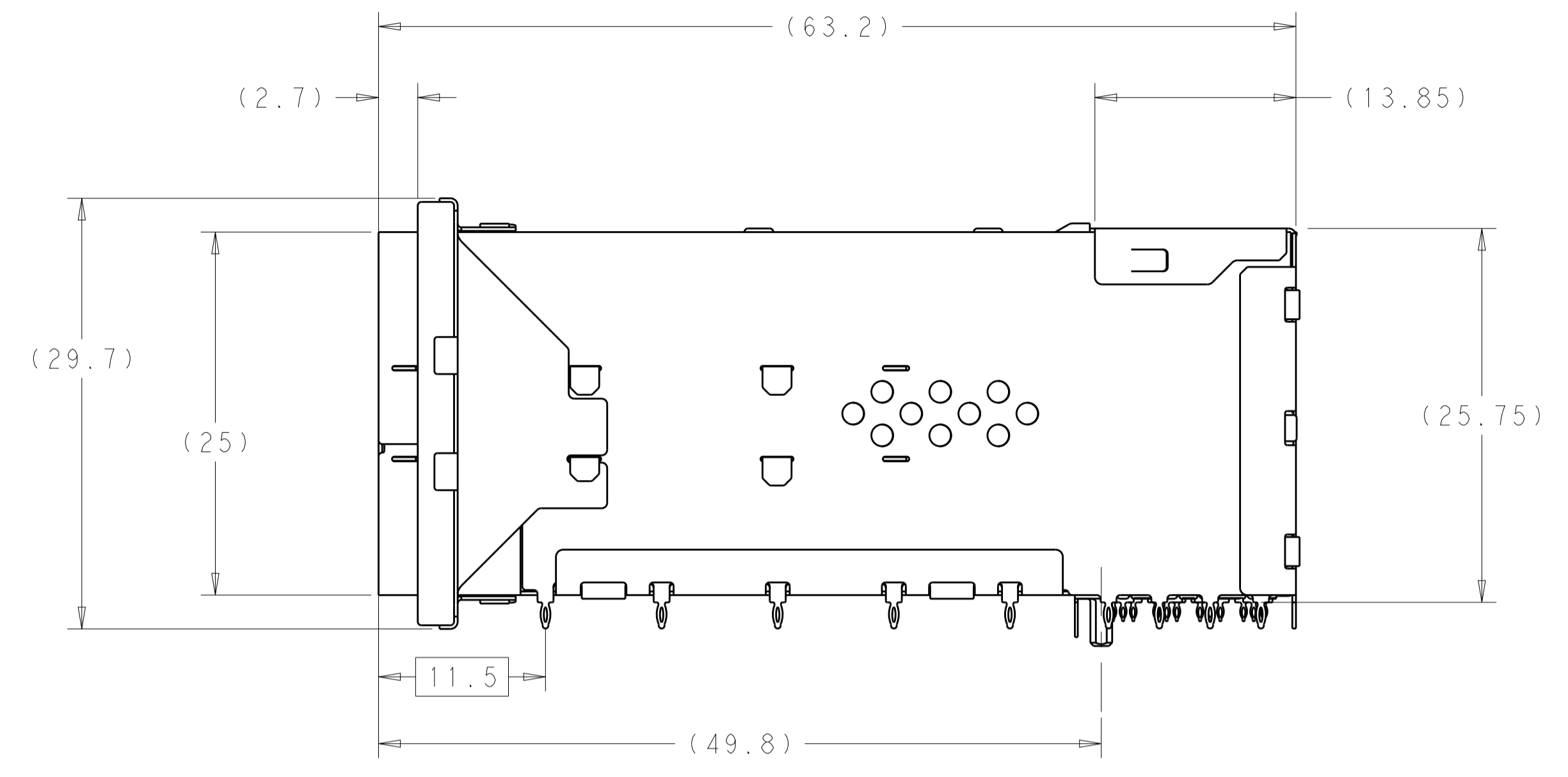
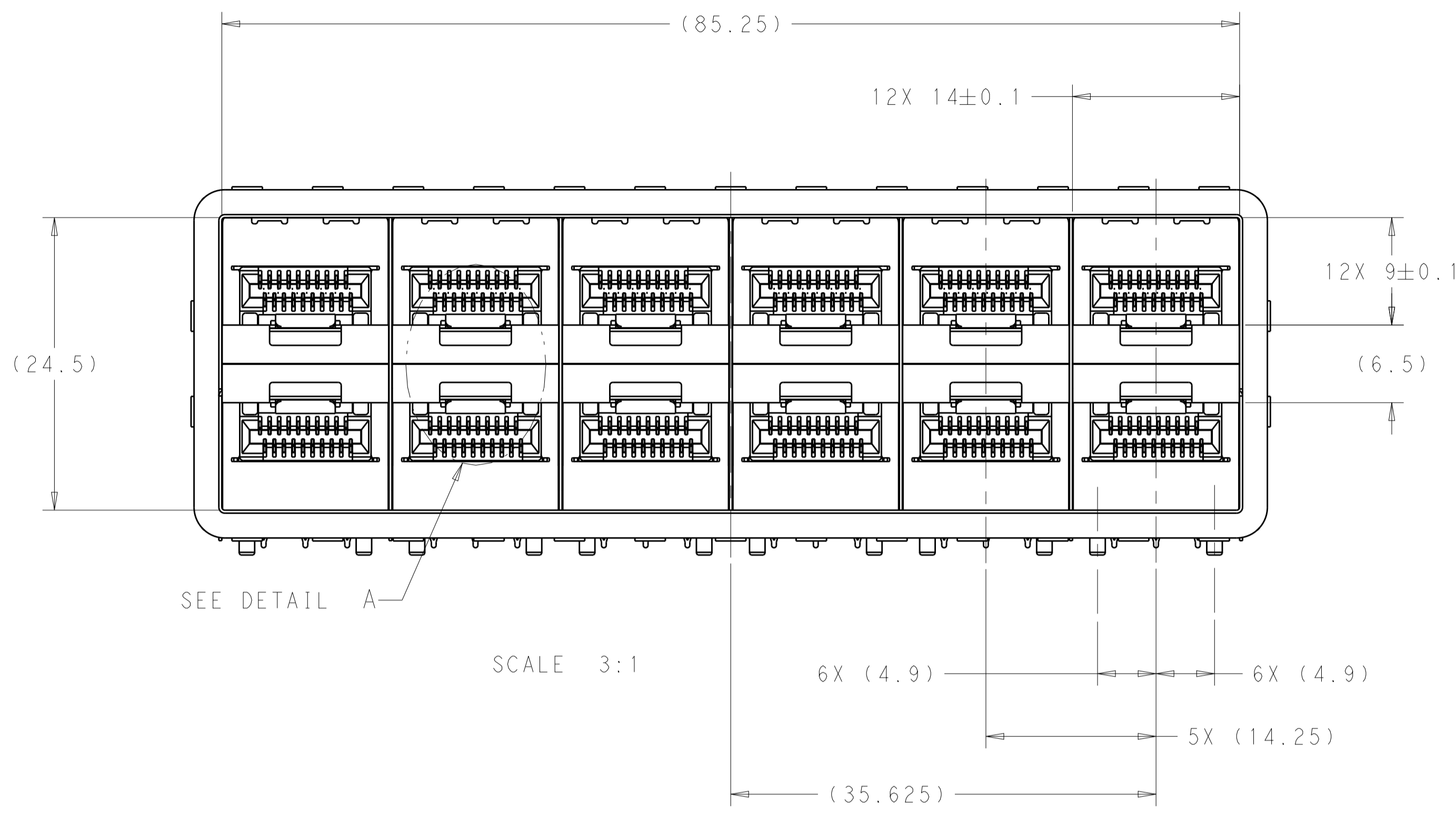


2198339-5 THRU 2198339-8, 1-2198339-9, 2-2198339-0, 2-2198339-1  
 EMI SPRINGS ONLY  
 SCALE 4:1



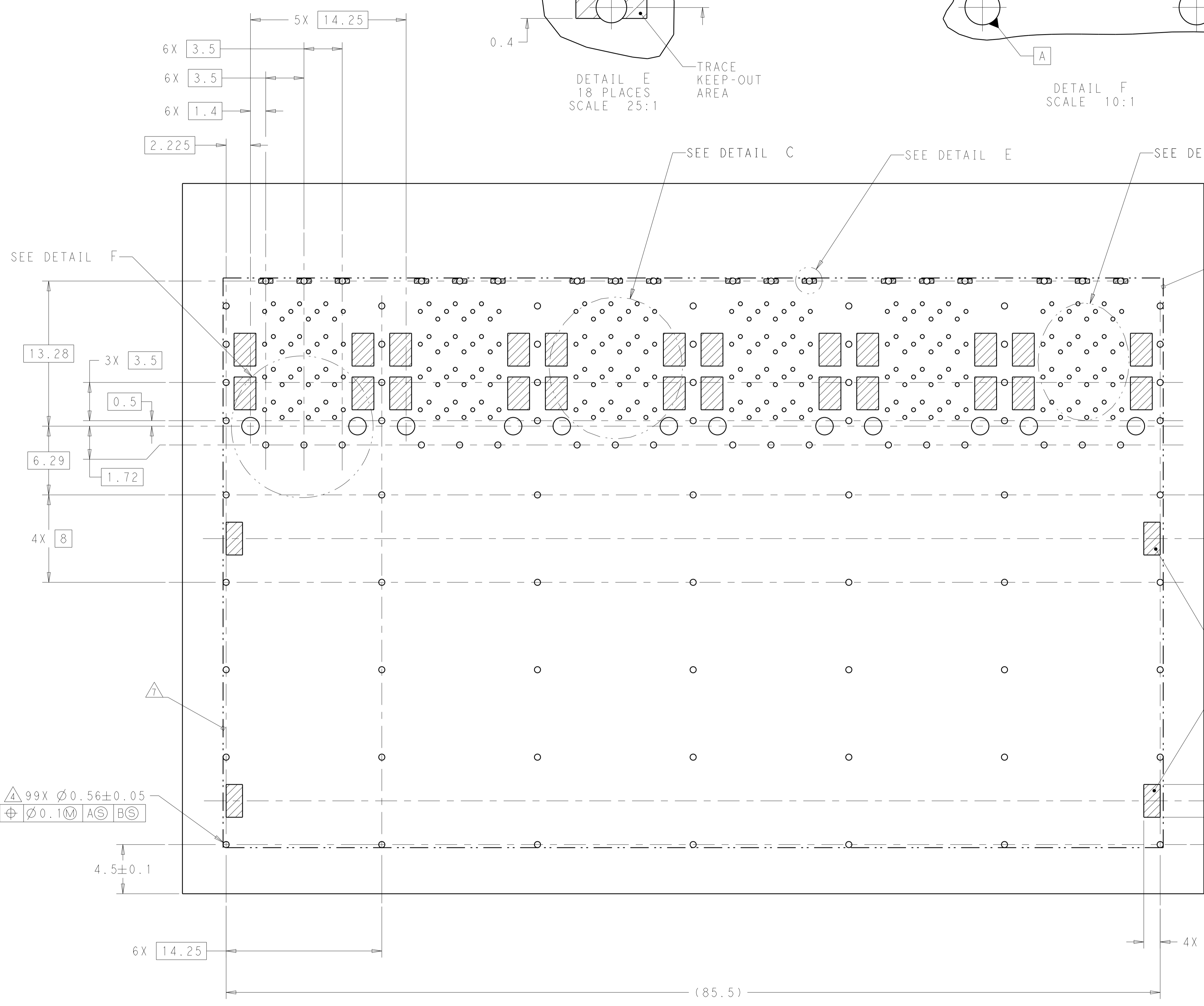
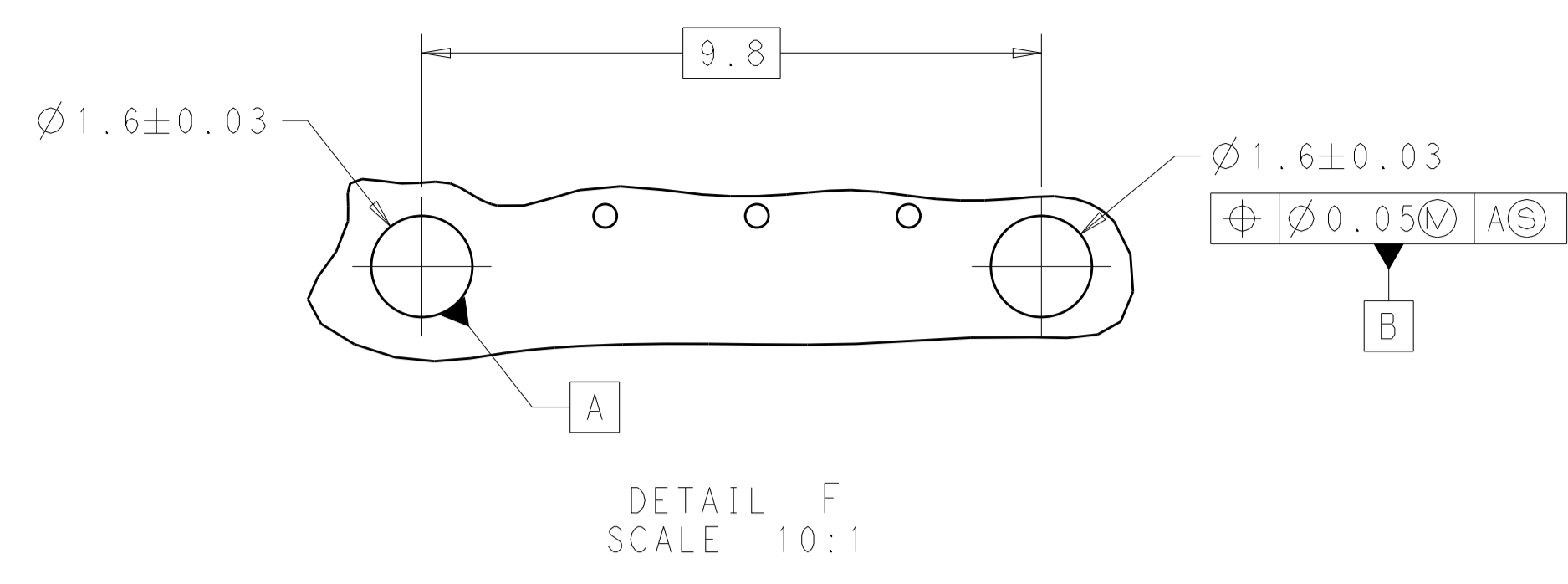
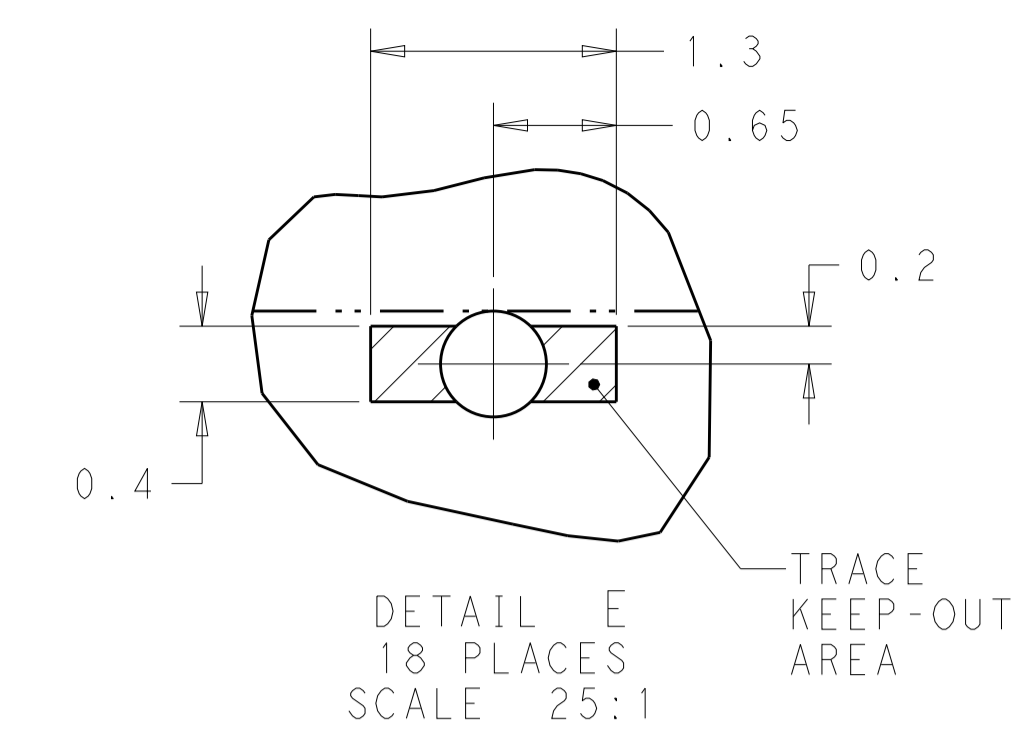
|  |  |                               |   |
|--|--|-------------------------------|---|
| THIS DRAWING IS A CONTROLLED DOCUMENT. |  | DMN: M.E. CONNER 07DEC2011    | <b>STE</b> TE Connectivity                    |
| DIMENSIONS: mm                         |  | CHK: M.D. MORRISON 13DEC2011  |   |
| TOLERANCES UNLESS OTHERWISE SPECIFIED: |  | APVD: M.D. MORRISON 13DEC2011 | NAME: RECEPTACLE ASSEMBLY ,2X6 STACKED, zSFP+ |
| 0 PLC ±0.20                            |  | PRODUCT SPEC: 108-2481        |   |
| 1 PLC ±0.15                            |  | APPLICATION SPEC: 114-13319   | SIZE: A1                                      |
| 2 PLC ±0.10                            |  | FINISH: ±4°                   | CAGE CODE: 2198339                            |
| 3 PLC ±0.10                            |  | WEIGHT: -                     | RESTRICTED TO: -                              |
| 4 PLC ±0.10                            |  | MATERIAL: SEE NOTES           | SCALE: 1:1                                    |
| ANGLES: ±4°                            |  | SEE NOTES                     | SHEET 3 OF 6                                  |
| MATERIAL: SEE NOTES                    |  | Customer Drawing              | REV: B2                                       |

| LOC |      | DIST        |      | REVISIONS |       |  |  |
|-----|------|-------------|------|-----------|-------|--|--|
| P.  | LTR. | DESCRIPTION | DATE | DWN.      | APVD. |  |  |
| -   | -    | SEE SHEET 1 | -    | -         | -     |  |  |



|  |  |                               |   |
|--|--|-------------------------------|---|
| THIS DRAWING IS A CONTROLLED DOCUMENT.                                       |  | DWN: M.E. CONNER 07DEC2011    | TE Connectivity                               |
| DIMENSIONS: mm   |  | CHK: M.D. MORRISON 13DEC2011  |   |
| TOLERANCES UNLESS OTHERWISE SPECIFIED:                                       |  | APVD: M.D. MORRISON 13DEC2011 | NAME: RECEPTACLE ASSEMBLY ,2X6 STACKED, zSFP+ |
| 0 PLC ±<br>1 PLC ±0.20<br>2 PLC ±0.15<br>3 PLC ±0.10<br>4 PLC ±<br>ANGLES ±° |  | PRODUCT SPEC: 108-2481        | SIZE: A1                                      |
| MATERIAL: SEE NOTES  |  | APPLICATION SPEC: 114-13319   | CAGE CODE: C=2198339                          |
| FINISH: SEE NOTES  |  | WEIGHT: -                     | RESTRICTED TO: -                              |
|  |  | Customer Drawing              | SCALE: 1:1 SHEET 4 OF 6 REV: B2               |

| LOC | DIST | REVISIONS   |      |     |      |
|-----|------|-------------|------|-----|------|
| P.  | LTH  | DESCRIPTION | DATE | DWN | APVD |
| -   | -    | SEE SHEET 1 | -    | -   | -    |



RECOMMENDED PCB LAYOUT  
SCALE 5:1

|  |                   |                               |   |
|--|-------------------|-------------------------------|---|
| THIS DRAWING IS A CONTROLLED DOCUMENT. |                   | DWN: M.E. CONNER 07DEC2011    | TE Connectivity                               |
| DIMENSIONS: mm                         |                   | CHK: M.D. MORRISON 13DEC2011  |   |
| TOLERANCES UNLESS OTHERWISE SPECIFIED: |                   | APVD: M.D. MORRISON 13DEC2011 | NAME: RECEPTACLE ASSEMBLY ,2X6 STACKED, zSFP+ |
| 0 PLC ±                                | 1 PLC ±0.20       | PRODUCT SPEC: 108-2481        | SIZE: A1                                      |
| 2 PLC ±0.15                            | 3 PLC ±0.10       | APPLICATION SPEC: 114-13319   | CAGE CODE: C=2198339                          |
| 4 PLC ±                                | ANGLES ±°         | WEIGHT: -                     | RESTRICTED TO: -                              |
| MATERIAL: SEE NOTES                    | FINISH: SEE NOTES | Customer Drawing              | SCALE: 1:1 SHEET 5 OF 6 REV: B2               |