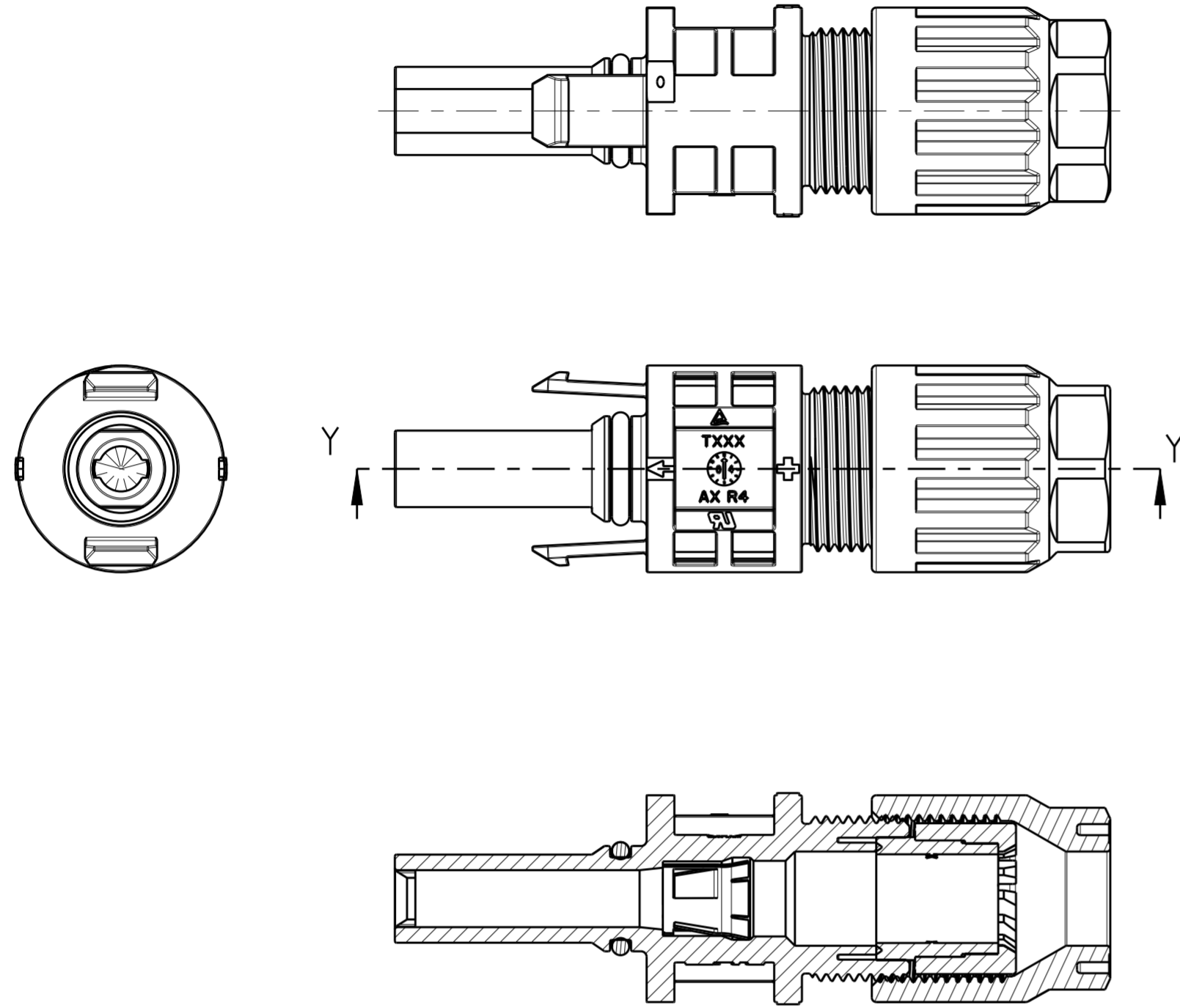
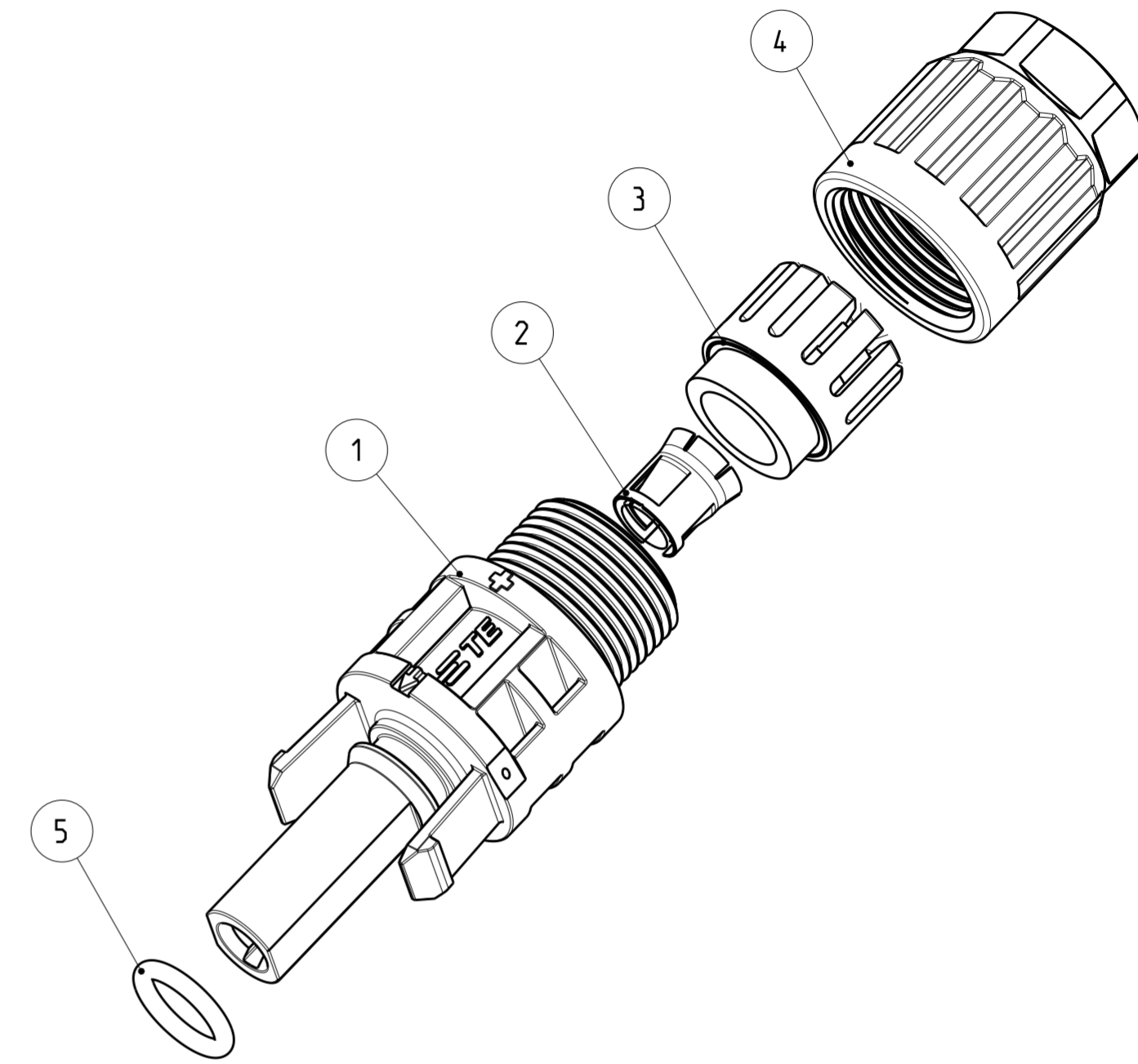


THIS DRAWING IS UNPUBLISHED. RELEASED FOR PUBLICATION 2014
 © COPYRIGHT 2014 BY - TE CONNECTIVITY ALL RIGHTS RESERVED.

LOC	DIST	REVISIONS					
-	-	P	LTR	DESCRIPTION	DATE	DWN	APVD
		A1		INSTANCES WITH PACKAGING QTY. 1 AND 10 ARE REMOVED	10/06/14	KR	TD
		A2		ECR-14-019142	23DEC2014	LW	PY
		B		OBSOLETE CABLE DIAMETER 5.5mm to 6.0mm	12OCT2017	SG	MS
		B1		ECR-18-008144	01JUN2018	GCM	MZ



SECTION Y-Y



-1 AS SHOWN

- 1 PV4-S SOCKET HOUSING (ITEM NO.1), METAL CLIP (ITEM NO.2) INSERTED INTO ITEM NO.1 AND PINCH RING SEAL ASSY (ITEM NO.3) PREASSEMBLED WITH CABLE SCREW JOINT (ITEM NO.4). CABLE SCREW JOINT (ITEM NO.4) SCREWED WITH 2-3 TURNS ON PV4-S SOCKET HOUSING CONNECTOR (ITEM NO.1).
- 2 O-RING (ITEM NO.5) ASSEMBLED ON PV4-S SOCKET CONNECTOR HOUSING (ITEM NO.1)
- 3 FOR CABLE DIAMETER 6.0mm to 7.8mm (NOMINAL VALUE).

100	1000	PACKAGING QTY.		
2-2270023-1	2270023-1			
-	-	O-RING (BLUE)	2	5
1	1	O-RING (RED)	2	
1	1	CABLE SCREW JOINT	1	4
1	1	PINCH RING SEAL INMOLDED, ASSY	1 3	3
1	1	METAL CLIP		2
1	1	PV4-S1 SOCKET CONNECTOR HOUSING.	1	1
		DESCRIPTION		ITEM

THIS DRAWING IS A CONTROLLED DOCUMENT.		DWN WANG LORRY 12 JUN 2014	TE Connectivity	
DIMENSIONS: mm		CHK IAO DANIEL 12 JUN 2014		
TOLERANCES UNLESS OTHERWISE SPECIFIED:		APVD PETER YIN 12 JUN 2014	NAME PV4-S1 SOCKET CONNECTOR PREASSEMBLED	
0 PLC ± 1 PLC ± 2 PLC ± 3 PLC ± 4 PLC ± ANGLES ± FINISH ±		PRODUCT SPEC 108-137077	RESTRICTED TO -	
MATERIAL		APPLICATION SPEC 114-137077	SIZE A2	CAGE CODE 00779
		WEIGHT -	DRAWING NO G-2270023	SCALE 2:1
		Customer Drawing	SHEET 1	OF 1
			REV B1	