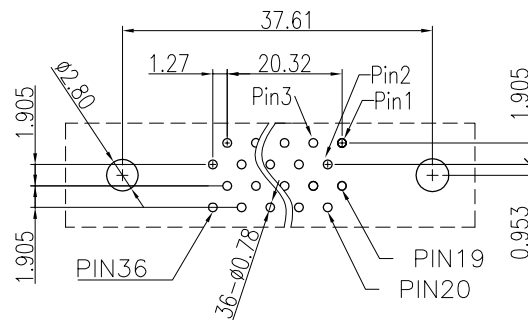
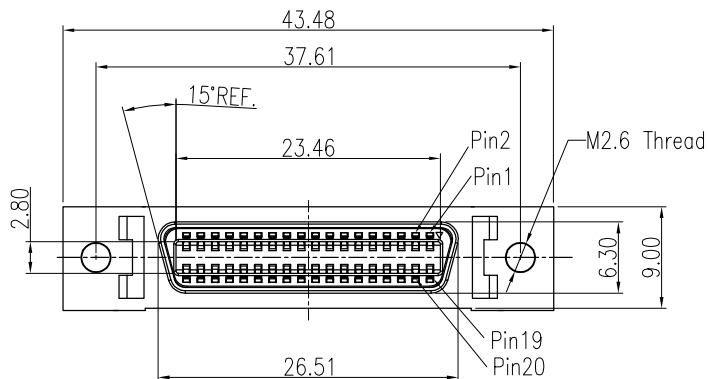




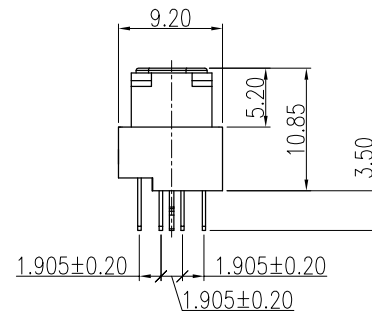
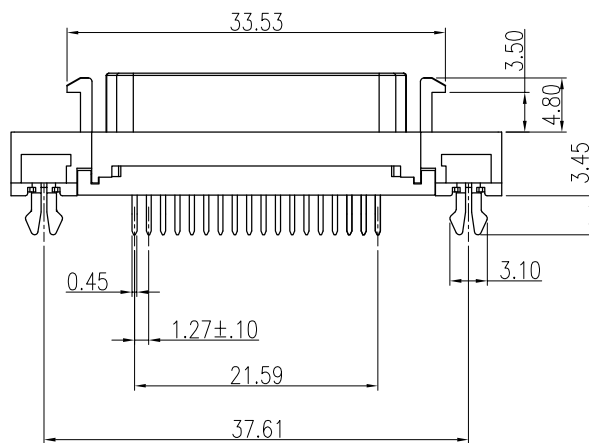
LOC		DIST		REVISIONS			DATE	OWN	APVD
P	LYR	DESCRIPTION							
A1		ADD 26PIN P/N					14SEP2015	F.Y	X.X

**NOTE:**

1. MATERIAL:
  - 1.1 HOUSING:PBT UL94-V0,BLACK
  - 1.2 SPACER:PBT UL94-V0,BLACK
  - 1.3 CONTACT:PH/BR (C5191H) T=0.30
  - 1.4 SHELL:ZINC ALLOY
  - 1.5 HOOK:PH/BR(C5191-EH) T=0.40
2. FINISH
  - 2.1 CONTACT PLATING:
    - 50u" NICKEL PLATING OVERALL,
    - CONTACT AREA PLATED:GOLD 3u" OR 10u" OR 30u"
    - SOLDER AREA PLATED:TIN 100u" MIN. LEAD FREE
  - 2.2 SHELL PLATING:
    - NICKEL 100u" MIN PLATED OVER Cu 150u" MIN
  - 2.3 HOOK PLATING:
    - TIN 100u" MIN PLATED OVER NICKEL 50u" MIN
3. VOLTAGE RATING:200V AC.
4. CURRENT RATING:1A
5. WITHSTANDING VOLTAGE:500V AC for 1 MINUTE.
6. OPERATION TEMPERATURE:-55°C~+85°C
7. PRODUCT MUST MEET CONTROLLED SUBSTANCES PER TE SPEC 230-702,REVISION F



Recommended P.C.B Layout (Top Side)  
 (PCB BOARD TOLERANCE±0.05)



36	3u"	4-2271287-4
	30u"	4-2271287-2
	10u"	4-2271287-1
POS	CONTACT PLATING	P/N

DIMENSIONS:		TOLERANCES UNLESS OTHERWISE SPECIFIED:		FENCER YU 14-JAN-2015		TE Connectivity	
mm		0 PLC ± -		CHK KOBBY ZHAO 14-JAN-2015		NAME	
		1 PLC ± 0.40		APVD YU XIANG 14-JAN-2015		1.27 PITCH VERTICAL TYPE SCSI RECEPTACLE WITH HOOK	
		2 PLC ± 0.25		PRODUCT SPEC		108-106126	
		3 PLC ± -		APPLICATION SPEC		-	
		4 PLC ± -		SIZE		A2	
		ANGLES ± -		CAGE CODE		00779	
		FINISH ± -		DRAWING NO		2271287	
MATERIAL		WEIGHT		RESTRICTED TO		-	
SEE NOTES		SEE NOTES		CUSTOMER DRAWING		SCALE	
				SHEET		2 of 3	
				REV		A1	