

4

3

2

1

THIS DRAWING IS UNPUBLISHED. RELEASED FOR PUBLICATION 20  
 © COPYRIGHT 20 BY - ALL RIGHTS RESERVED.

LOC		DIST		REVISIONS			
P	LTR	DESCRIPTION	DATE	DWN	APVD		
	A1	ECO-18-014097	06SEP2018	GCM	DD		
	A2	ECR-18-016855	26OCT2018	SR	DD		
	A3	ECR-18-017279	06NOV2018	SR	DD		
	B	REVISED PER ECR-21-118984	11NOV2021	SD	MM		

SEE SHEET 2 FOR  
WIRING COLOR CODE

NOTES:

- MATERIALS:  
 HOUSING: GLASS-FILLED THERMOPLASTIC, UL 94V-0 RATED  
 DIMMING CONTACTS (2 OR 4): COPPER ALLOY  
 LINE VOLTAGE CONTACTS (3): COPPER ALLOY  
 SPRING PLATE: STAINLESS STEEL  
 LOCKING RING: PBT
- FINISH:  
 DIMMING CONTACTS (2 OR 4): NICKEL UNDERPLATE ENTIRE CONTACT  
 0.127  $\mu\text{m}$  MIN THICK. GOLD PLATE CONTACT PAD AREA (MATING FACE  
 SIDE ONLY) 0.76  $\mu\text{m}$  MIN THICK. MATTE TIN PLATE TAB ON BOTH SIDES  
 0.30  $\mu\text{m}$  MIN THICK.  
 LINE VOLTAGE CONTACTS (3): TIN PLATE.
- LINE VOLTAGE CONDUCTORS (3):  
 14 AWG, 600V, 150°C RATED, COPPER 41/30 STRANDED  
 PER UL STYLE AWM 3321.
- MATING INTERFACE PER ANSI C136.41-2013.
- OPTIONAL DIMMING CONTACTS (2) SUPPLIED.
- DIMMING CONDUCTORS (2 OR 4):  
 18 AWG, 600V, 150°C RATED, 16/30 STRANDED,  
 PER UL STYLE AWM 3321.
- LINE VOLTAGE CONDUCTORS (3):  
 14 AWG, 600V, 105°C RATED, COPPER 41/30 STRANDED.  
 PER UL STYLE AWM 1015.
- DIMMING CONDUCTORS (2 OR 4):  
 18 AWG, 600V, 105°C RATED, COPPER 16/30 STRANDED.  
 PER UL STYLE AWM 1015.
- MUST COMPLY WITH DIRECTIVE 2002/95/EC (ROHS)
- LOCKING RING (REF P/N: 2333095-1) AND  
 SPRING PLATE (REF P/N: 2333094-1) NOT ASSEMBLED,  
 SHIPPED BULK PACKED
- MUST BE USED WITH GASKET (REF P/N: 2332473-1) SOLD SEPARATELY

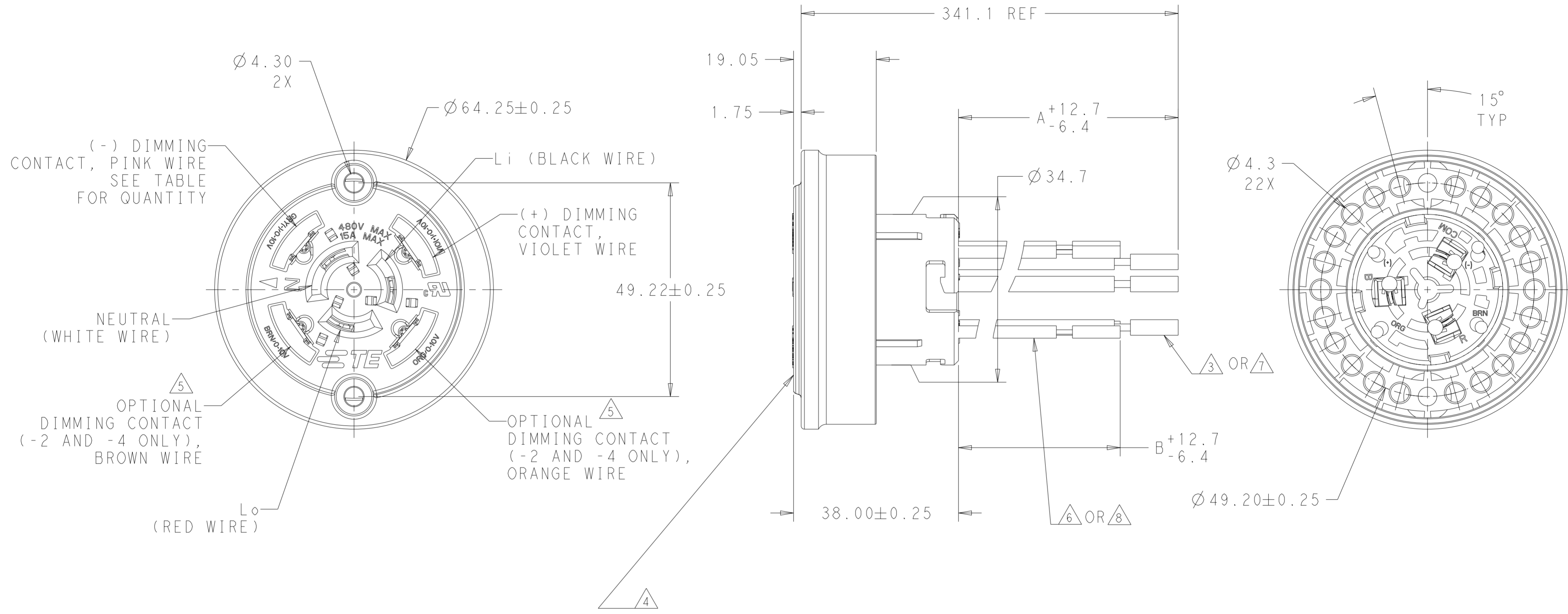
304.8	291.3	$\triangle 7$ AND $\triangle 8$	4 $\triangle 5$	2-2332966-4
304.8	291.3	$\triangle 7$ AND $\triangle 8$	2	2-2332966-3
304.8	291.3	$\triangle 3$ AND $\triangle 6$	4 $\triangle 5$	2-2332966-2
304.8	291.3	$\triangle 3$ AND $\triangle 6$	2	2-2332966-1
A	B	WIRE STYLE	QUANTITY OF DIMMING CONTACTS	PART NO.
WIRE LENGTH				

THIS DRAWING IS A CONTROLLED DOCUMENT.		DWN C. DAILY 15MAR2018	TE Connectivity	
		CHK E. HOWARD 15MAR2018		
DIMENSIONS: mm	TOLERANCES UNLESS OTHERWISE SPECIFIED:	APVD -	NAME RECEPTACLE ASSEMBLY, LUMAWISE ENDURANCE N TOOL-LESS ROTATABLE	
	0 PLC $\pm$ 1 PLC $\pm 0.2$ 2 PLC $\pm 0.13$ 3 PLC $\pm$ 4 PLC $\pm$ ANGLES $\pm 1^\circ$ FINISH	PRODUCT SPEC 108-133114 APPLICATION SPEC 114-133114	SIZE A2	CAGE CODE 00779
MATERIAL		WEIGHT -	DRAWING NO C-2332966	RESTRICTED TO -
		CUSTOMER DRAWING	SCALE 1:1	SHEET 1 OF 3
			REV B	

1471-9 (3/11)

THIS DRAWING IS UNPUBLISHED. RELEASED FOR PUBLICATION 20  
 © COPYRIGHT 20 BY - ALL RIGHTS RESERVED.

REVISIONS				
P	LTR	DESCRIPTION	DATE	APVD
-	-	SEE SHEET 1	-	-



THIS DRAWING IS A CONTROLLED DOCUMENT.		DWN C. DAILY 15MAR2018	<b>STE</b> TE Connectivity	
		CHK E. HOWARD 15MAR2018		
DIMENSIONS: mm		TOLERANCES UNLESS OTHERWISE SPECIFIED:		NAME RECEPTACLE ASSEMBLY, LUMAWISE ENDURANCE N TOOL-LESS ROTATABLE
0 PLC ±		1 PLC ±0.2		PRODUCT SPEC 108-133114
2 PLC ±0.13		3 PLC ±		APPLICATION SPEC 114-133114
4 PLC ±		ANGLES ±1°		SIZE A2
MATERIAL		FINISH		CAGE CODE 00779
				DRAWING NO C-2332966
				RESTRICTED TO -
		CUSTOMER DRAWING		SCALE 1:1 SHEET 2 OF 3 REV B