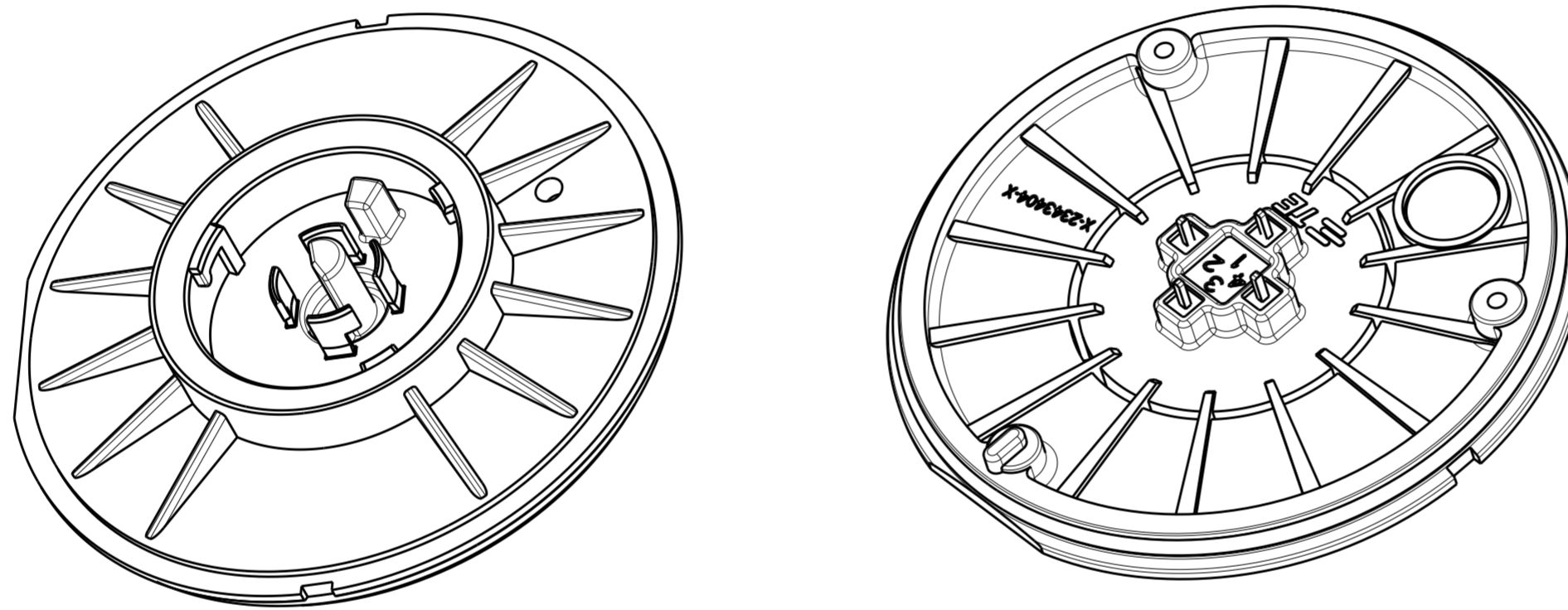


| REVISIONS | | | | |
|-----------|-----|---------------------------|-----------|-------|
| P | LTR | DESCRIPTION | DATE | APVD |
| | A3 | REVISED PER ECR-20-013028 | 14SEP2020 | MM DD |
| | | | | |
| | | | | |

NOTES:

- 1 MATERIALS AND FINISH:
 - MODULE HOUSING: PBT, COLOR: GREY
 - CONTACTS: BRASS, FINISH: Sn
 - O-RING: SILICON RUBBER
- 2. MUST COMPLY WITH DIRECTIVE 2002/95/EC (ROHS)
- 3 LOCATION OF FLAT ON RECEPTACLE (TE P/N 2213858-1) THREAD SECTION IN FULL MATED POSITION
- 4. COMPATIBLE DOME IS 2328823-X.
- 5. MATES WITH RECEPTACLE ASSEMBLIES 2343403-1 OR 1-2343403-1.
- 6. RECOMMENDED PIN OUT FOR 0-10V DIMMING CONTROL APPLICATIONS:

| PIN | 0-10V CONTROL |
|-----|-------------------|
| 1 | DC+ |
| 2 | 0-10V DIM- DC- |
| 3 | 0-10V DIM+ |
| 4 | OPTIONAL |



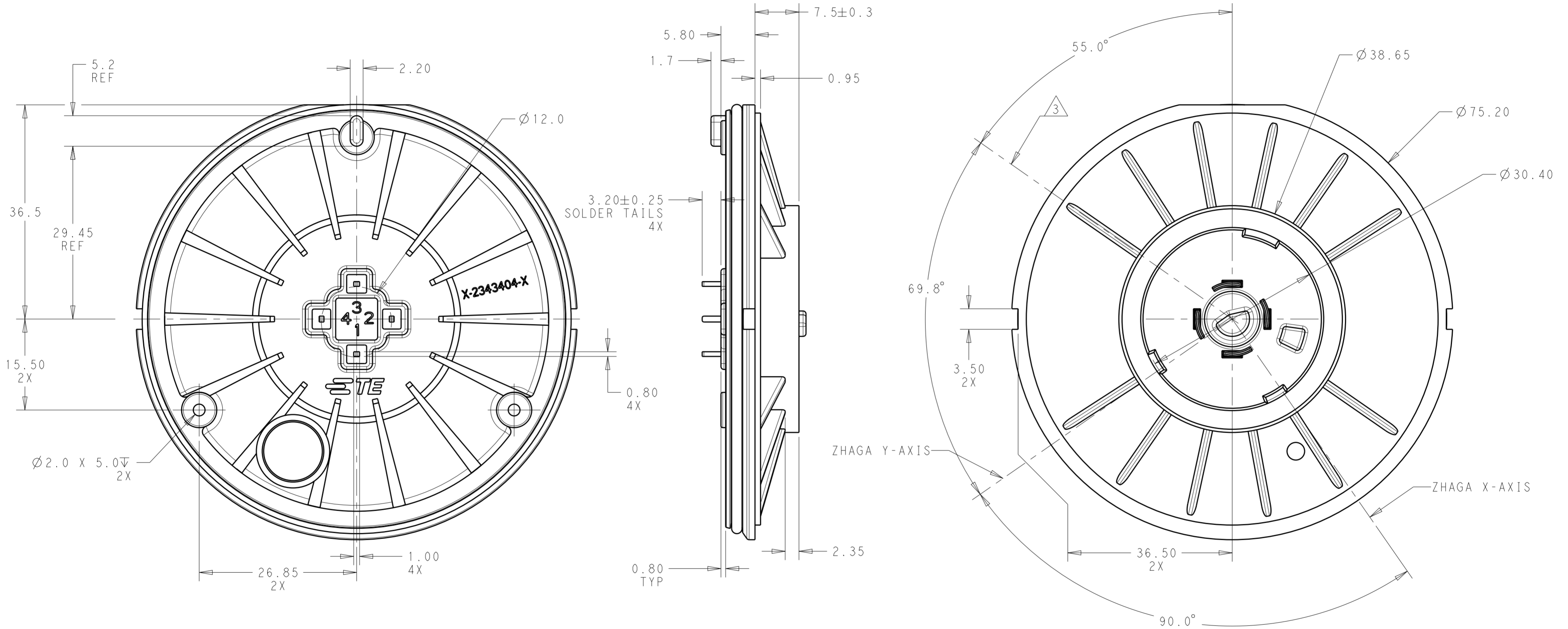
SCALE 3:2

| | |
|------------------------------------|-------------|
| MODULE BASE ASSY,CLOSED VENT,KEY A | 2-2343404-1 |
| MODULE BASE ASSY,VENT,KEY A | 1-2343404-1 |
| DESCRIPTION AND KEYING | PART NO. |

| | | | | |
|--|--|---------------------------|--|-----------|
| THIS DRAWING IS A CONTROLLED DOCUMENT. | | DWN C DAILY 03OCT2018 | STE TE Connectivity | |
| | | CHK E HOWARD 03OCT2018 | | |
| DIMENSIONS: | TOLERANCES UNLESS OTHERWISE SPECIFIED: | APVD | NAME | |
| mm | 0 PLC ± 1 PLC ±0.2 2 PLC ±0.15 3 PLC ± 4 PLC ± | - | MODULE BASE ASSEMBLY, LUMAWISE ENDURANCE S 80mm DIAMETER,KEYED | |
| | ANGLES ±1 | PRODUCT SPEC | SIZE | CAGE CODE |
| | FINISH | 108-133073 | A2 | - |
| MATERIAL | | APPLICATION SPEC | DRAWING NO | |
| SEE NOTES | | 114-133074 | G-2343404 | |
| | | WEIGHT | RESTRICTED TO | |
| | | - | - | |
| | | CUSTOMER DRAWING | SCALE | SHEET |
| | | | 2:1 | 1 OF 4 |
| | | | | REV A3 |

THIS DRAWING IS UNPUBLISHED. RELEASED FOR PUBLICATION 20
 © COPYRIGHT 20 BY - ALL RIGHTS RESERVED.

| REVISIONS | | | | |
|-----------|-----|-------------|------|------|
| P | LTR | DESCRIPTION | DATE | APVD |
| - | - | SEE SHEET 1 | - | - |
| | | | | |
| | | | | |

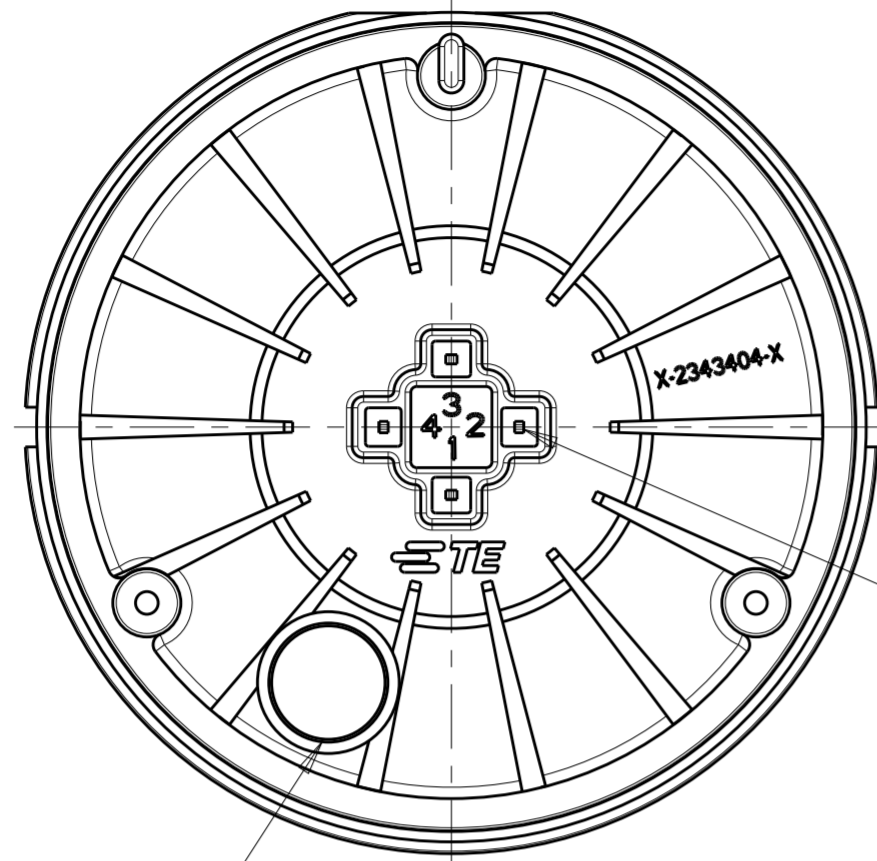


1-2343404-1 SHOWN

| | | | | |
|--|--|--|----------------------------|---|
| THIS DRAWING IS A CONTROLLED DOCUMENT. | | DWN C. DAILY 03OCT2018 | STE TE Connectivity | |
| | | CHK E. HOWARD 03OCT2018 | | |
| DIMENSIONS: mm | | TOLERANCES UNLESS OTHERWISE SPECIFIED: | | NAME MODULE BASE ASSEMBLY, LUMAWISE ENDURANCE S 80mm DIAMETER, KEYED |
| 0 PLC ± | | 1 PLC ±0.2 | | PRODUCT SPEC 108-133073 |
| 1 PLC ±0.15 | | 2 PLC ± | | APPLICATION SPEC 114-133074 |
| 2 PLC ± | | 3 PLC ± | | SIZE A2 |
| 3 PLC ± | | 4 PLC ± | | CAGE CODE - |
| ANGLES ±1 | | FINISH - | | DRAWING NO. G-2343404 |
| MATERIAL - | | WEIGHT - | | RESTRICTED TO - |
| SEE NOTES | | CUSTOMER DRAWING | | SCALE 2:1 SHEET 2 OF 4 REV A3 |

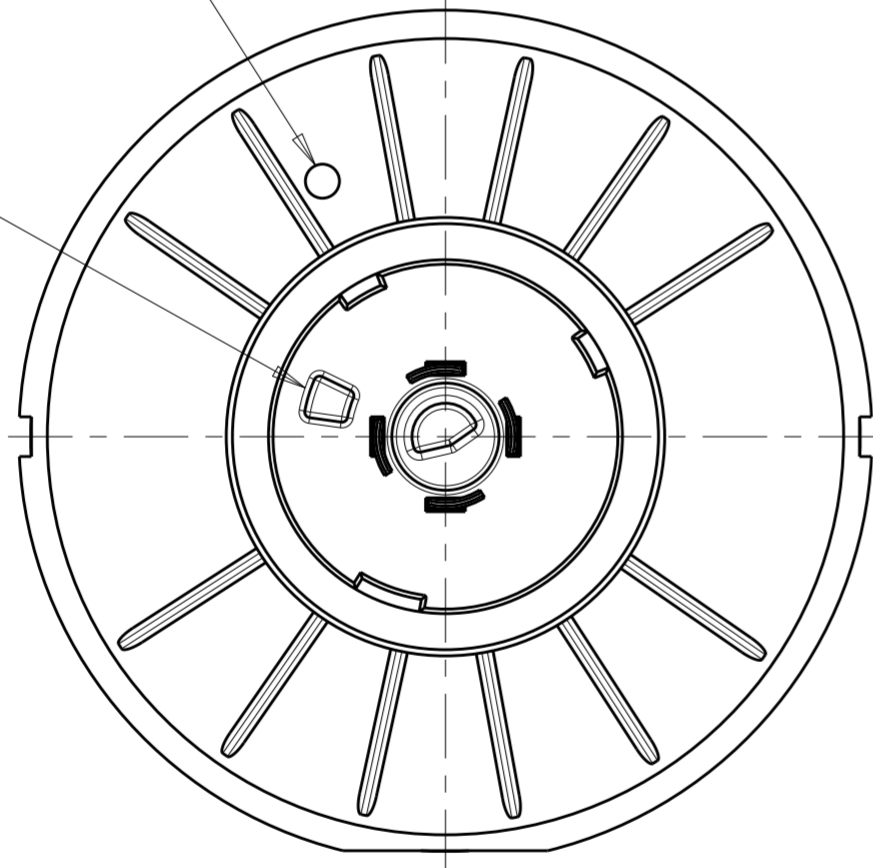
THIS DRAWING IS UNPUBLISHED. RELEASED FOR PUBLICATION 20
 © COPYRIGHT 20 BY - ALL RIGHTS RESERVED.

| REVISIONS | | | | |
|-----------|-----|-------------|------|------|
| P | LTR | DESCRIPTION | DATE | APVD |
| - | | SEE SHEET 1 | - | - |
| | | | | |
| | | | | |



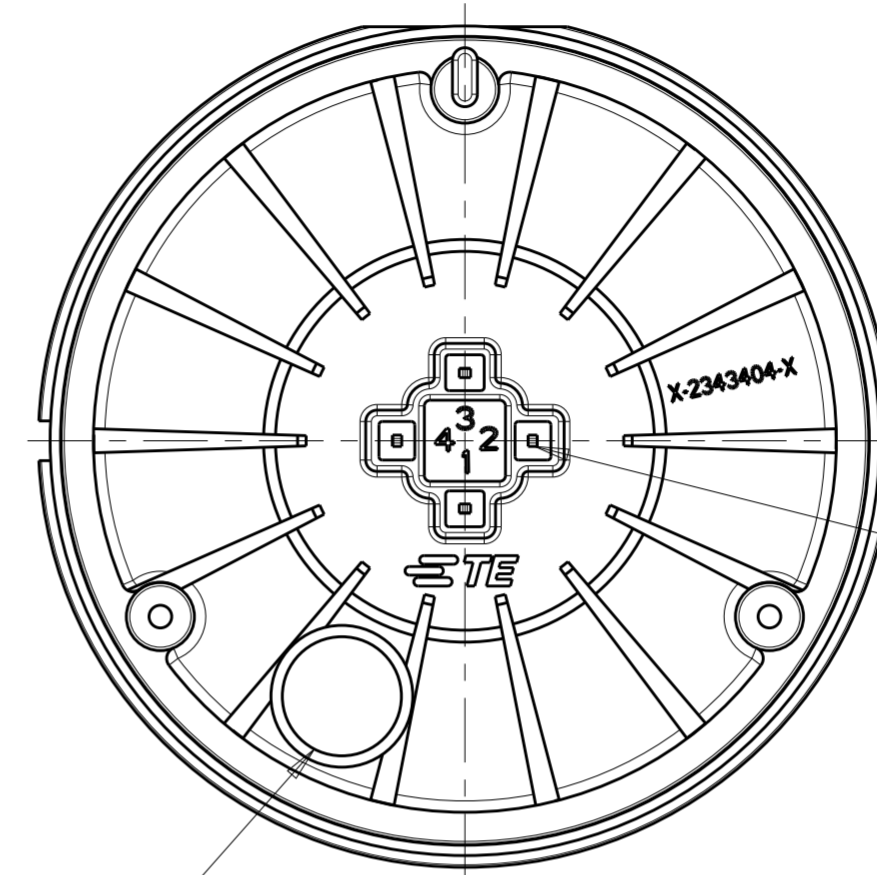
CONTACT SOLDER TAILS SEALED 4X

VENT



NOTE: KEY

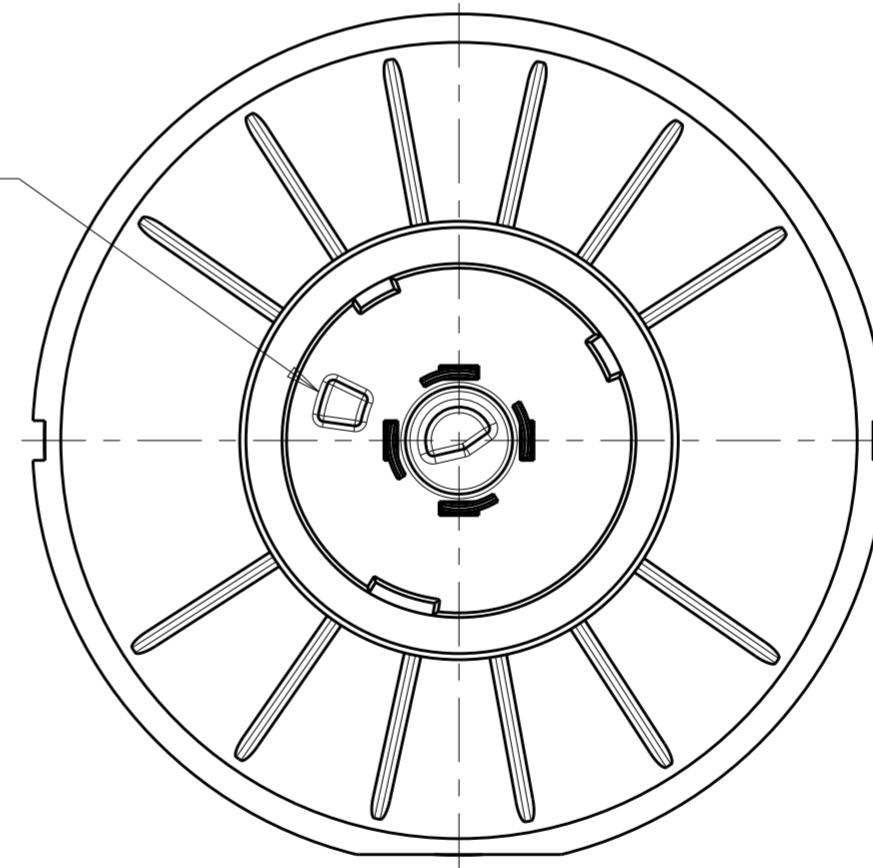
1-2343404-1 SHOWN



CONTACT SOLDER TAILS SEALED 4X

VENT HOLE BLOCKED

NOTE: KEY



2-2343404-1 SHOWN

| | | | | |
|--|--|--|-----------------|---|
| THIS DRAWING IS A CONTROLLED DOCUMENT. | | DWN C. DAILY 03OCT2018 | TE Connectivity | |
| | | CHK E. HOWARD 03OCT2018 | | |
| DIMENSIONS: mm | | TOLERANCES UNLESS OTHERWISE SPECIFIED: | | NAME MODULE BASE ASSEMBLY, LUMAWISE ENDURANCE S 80mm DIAMETER, KEYED |
| | | 0 PLC ±- | 1 PLC ±0.2 | PRODUCT SPEC 108-133073 |
| | | 2 PLC ±0.15 | 3 PLC ±- | APPLICATION SPEC 114-133074 |
| | | 4 PLC ±- | ANGLES ±1 | SIZE A2 |
| MATERIAL - SEE NOTES | | FINISH - | | CAGE CODE - DRAWING NO C-2343404 |
| | | | | RESTRICTED TO - |
| | | | | SCALE 2:1 SHEET 3 OF 4 REV A3 |