

4

3

2

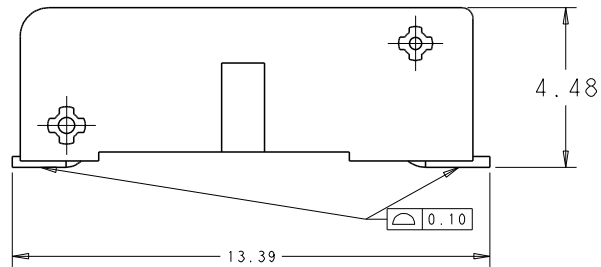
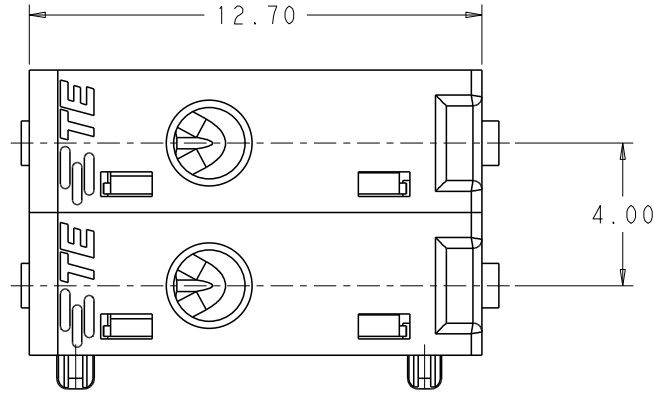
1

THIS DRAWING IS UNPUBLISHED. RELEASED FOR PUBLICATION 20
© COPYRIGHT 20 BY - ALL RIGHTS RESERVED.

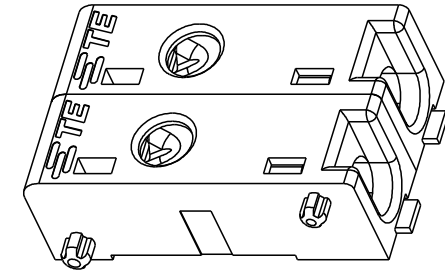
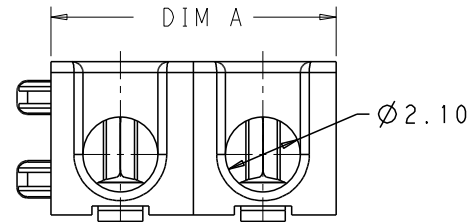
REVISIONS				
P	LYR	DESCRIPTION	DATE	DWN APVD
B3		ECR-17-010993:UPDATE THE 3-2834006-4 DESC	28JUL2017	G.F S.M
B4		ECR-17-013140 ADD NEW PART	08SEP2017	G.F S.M
B5		ADD NEW PART: 7-2834006-1	13SEP2017	G.F S.M
B6		ECR-18-015867 ADD NEW P/N	08OC12018	G.F S.M

NOTES :

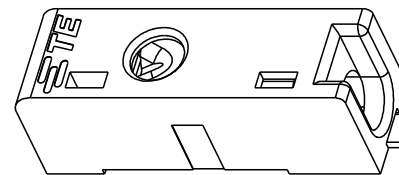
- 1. MATERIALS AND FINISH:
 - HOUSING: HIGH TEMPERATURE RESIN
 - CONTACTS: COPPER ALLOY, FINISH: PRE-TIN OVER NICKEL UNDERPLATE
- 2. MUST COMPLY WITH DIRECTIVE 2002/95/EC (ROHS)
- 3. WIRE TYPES AND SIZES ACCEPTED
 - SOLID WIRE: 18AWG, 20AWG, 22AWG, 16AWG (ONLY ONE TIME INSERTING)
 - STRANDED WIRE(TIN-DIPPED): 18AWG(STRANDS:16); 20AWG(STRANDS:7); 22AWG(STRANDS:7)
 - MAX INSULATION OD: 2.05mm MAX.
 - STRIP LENGTH: 8.0±0.5mm
- 4. PACKAGED IN TAPE AND REEL



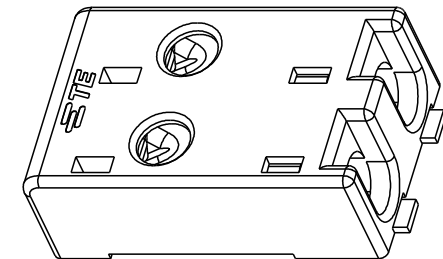
SCALE 10:1



MODULAR ASSEMBLY TYPE



P/N: 5-2834006-1



NORMAL 2P TYPE: 4-2834006-0

THIS DRAWING IS A CONTROLLED DOCUMENT.		DWN: GEORGE FU 13SEP2017	TE Connectivity	
		CHK: GEORGE FU 13SEP2017		
DIMENSIONS:		APVD: SHEI MING 13SEP2017	NAME: CONNECTOR ASSEMBLY	
TOLERANCES UNLESS OTHERWISE SPECIFIED:		PRODUCT SPEC:	RELEASEABLE POKE-IN	
mm	0 PLC ±-	108-137055	SIZE: A2	RESTRICTED TO
	1 PLC ±0.2	APPLICATION SPEC:	CAGE CODE: -	SCALE: 10:1
	2 PLC ±0.13	114-137055	DRAWING NO: C=2834006	SHEET 1 OF 3
	3 PLC ±-	WEIGHT: -	REV: B6	
	4 PLC ±-	CUSTOMER DRAWING		
	ANGLES FINISH			

4

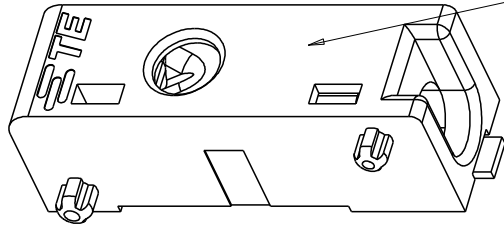
3

2

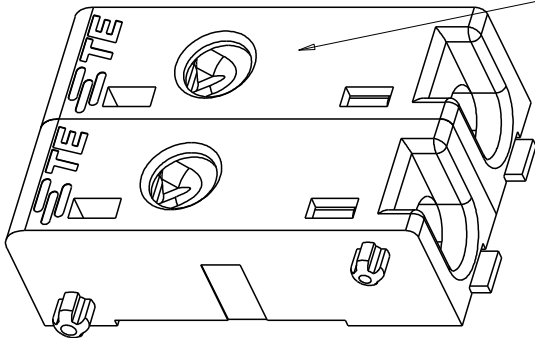
1

THIS DRAWING IS UNPUBLISHED. RELEASED FOR PUBLICATION 20
© COPYRIGHT 20 BY - ALL RIGHTS RESERVED.

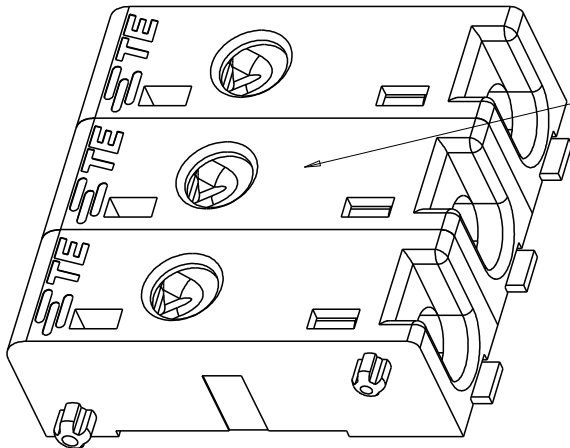
REVISIONS					
P	LYR	DESCRIPTION	DATE	DWN	APVD
-	-	SEE SHEET 1	-	-	-



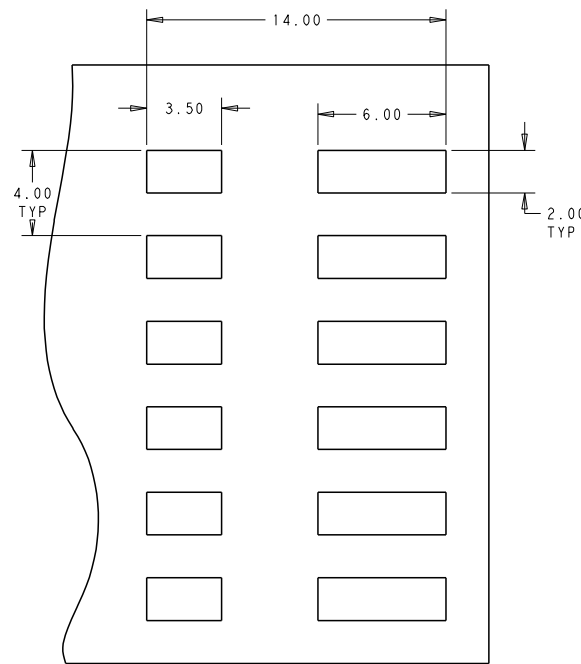
2834006-1
SCALE 10:1



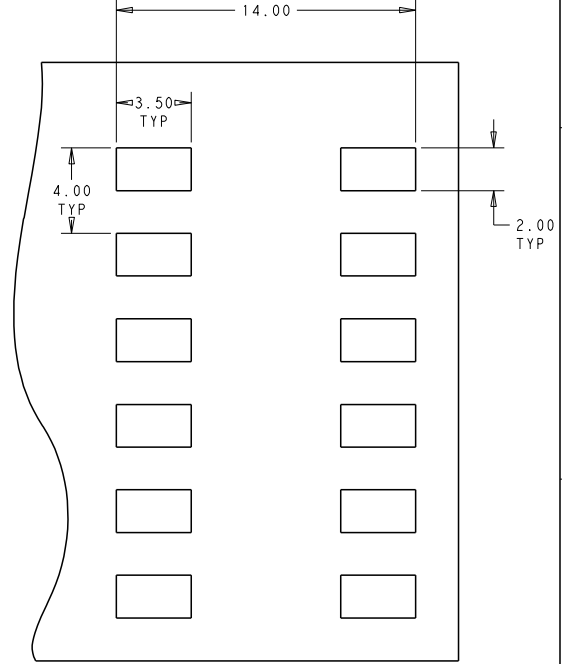
2834006-2
SCALE 10:1



1-2834006-2
SCALE 10:1



SCALE 6:1
RECOMMENDED PCB LAYOUT



SCALE 6:1
OPTIONAL PCB LAYOUT

THIS DRAWING IS A CONTROLLED DOCUMENT.		DWN - GEORGE FU 13SEP2017			
		CHK - GEORGE FU 13SEP2017			
		APVD - SHEI MING 13SEP2017	NAME - CONNECTOR ASSEMBLY		
DIMENSIONS: (mm)		PRODUCT SPEC - 108-137055		RESTRICTED TO	
TOLERANCES UNLESS OTHERWISE SPECIFIED:		APPLICATION SPEC - 114-137055		SIZE - A2	
0 PLC ±-		WEIGHT -		CAGE CODE - 2834006	
1 PLC ±0.2		CUSTOMER DRAWING		SCALE 10:1	
2 PLC ±0.13				SHEET 2 OF 3	
3 PLC ±				REV B6	
4 PLC ±					
ANGLES ±*					
FINISH -					
MATERIAL -					
SEE SHEET 1					