

4

3

2

1

THIS DRAWING IS UNPUBLISHED.

RELEASED FOR PUBLICATION

20

© COPYRIGHT 20

ALL RIGHTS RESERVED.

ES

REVISIONS

P	LTR	DESCRIPTION	DATE	DWN	APVD
	A	INITIAL RELEASE	15JUL2016	W.Z	X.X

15.50

11.95

NOTES:

① MATERIAL: COPPER ALLOY


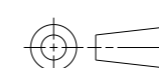
② FINISH: 2.0 MICRON MIN. TIN OVER NICKLE UNDERPLATED.

③ FINISH: GOLD FLASH PLATING ON CONTACT MATING AREA. TIN PLATING ON CRIMP AREA AND ALL NICKLE UNDERPLATED.

4. SEE TABLE FOR ALL THE PART NUMBERS.

Ø 1.52

1000 PCS/REEL	③	1.60-2.0	18-22 AWG	2-2834068-3
10,000 PCS/REEL	③	1.60-2.0	18-22 AWG	1-2834068-3
1000 PCS/REEL	②	1.60-2.0	18-22 AWG	2-2834068-2
10,000 PCS/REEL	②	1.60-2.0	18-22 AWG	1-2834068-2
PACKAGE Q'TY	FINISH	INSULATION DIAMETER RANGE	WIRE RANGE	PART NO

THIS DRAWING IS A CONTROLLED DOCUMENT.		DWN	15JULY2016	 TE Connectivity	
		CHK	15JULY2016		
		APVD	15JULY2016		
		PRODUCT SPEC	108-137093		
DIMENSIONS: mm		TOLERANCES UNLESS OTHERWISE SPECIFIED: ±0.3		NAME	
		0-PLC ± 1-PLC ± 2-PLC ± 3-PLC ± 4-PLC ± ANGLES ±5°		PIN CONTACT MINIATURE WATERPROOF CONNECTOR	
MATERIAL		FINISH		SIZE	RESTRICTED TO
I		-		A300779	-
		WEIGHT		DRAWING NO	
		-		C-2834068	
		CUSTOMER DRAWING		SCALE	SHEET
				10:1	1 OF 2
				REV	A

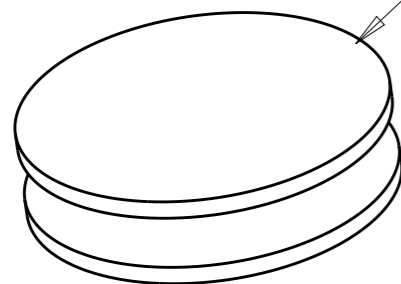
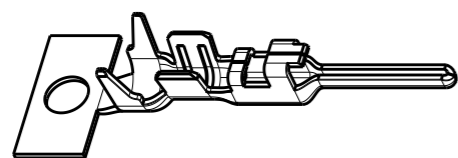
1470-19 (3/13)

REVISIONS

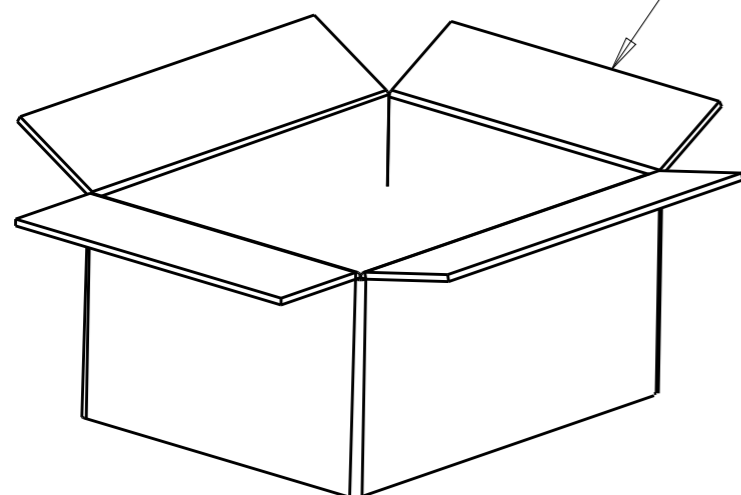
P	LTR	DESCRIPTION	DATE	DWN	APVD
		SEE SHEET 1			

PACKAGE PART NUMBER LIST:

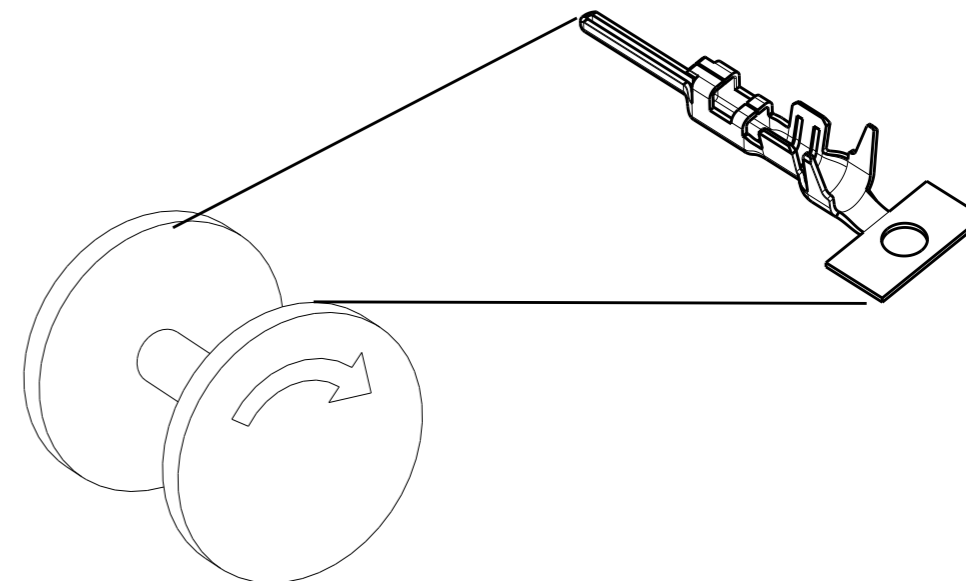
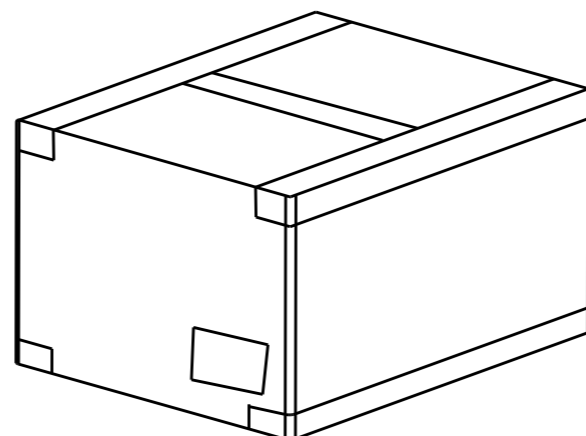
1-2834068-2, 2-2834068-2, 1-2834068-3, 2-2834068-3,



REEL




CARTON



CONTACT WITH PLATING

NOTE:
 1. PUT PARTS IN THE REEL AS STAMPING&PLATING PROCESS.
 2. PUT PACKED REEL INTO CARTON.
 3. SEAL THE CARTON
 4. PACKAGING QUANTITY: SEE TABLE.
 5. PACKAGING SPEC : 107-137093.

PART NUMBER	PARTS PER REEL	REELS PER CARTON	PARTS PER CARTON
1-2834068-2	10,000 PCS	4	40,000 PCS
2-2834068-2	1000 PCS	3	3,000 PCS
1-2834068-3	10,000 PCS	4	40,000 PCS
2-2834068-3	1000 PCS	3	3,000 PCS

THIS DRAWING IS A CONTROLLED DOCUMENT.		DWN 15JULY2016 ZHANG WEI	 TE Connectivity	
DIMENSIONS: mm		CHK 15JULY2016 SHI MING		
TOLERANCES UNLESS OTHERWISE SPECIFIED: ± 0.3		APVD 15JULY2016 XU XIANG	NAME PIN CONTACT MINIATURE WATERPROOF CONNECTOR	
0-PLC ±		PRODUCT SPEC 108-137093	SIZE CAGE CODE DRAWING NO RESTRICTED TO	
1-PLC ±		APPLICATION SPEC 114-137093	A300779 C-2834068	
2-PLC ±		WEIGHT -	SCALE 10:1 SHEET 2 OF 2 REV A	
3-PLC ±		CUSTOMER DRAWING		
4-PLC ±				
ANGLES ± 5°				
MATERIAL I		FINISH -		