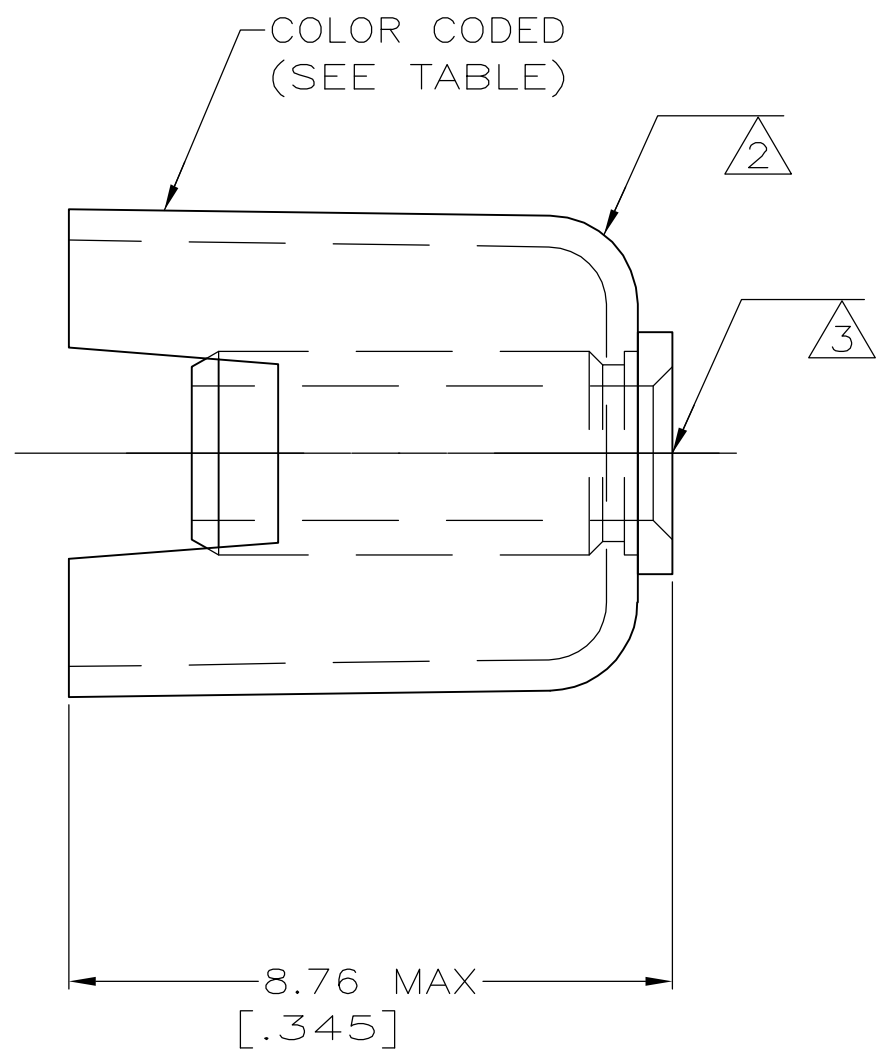
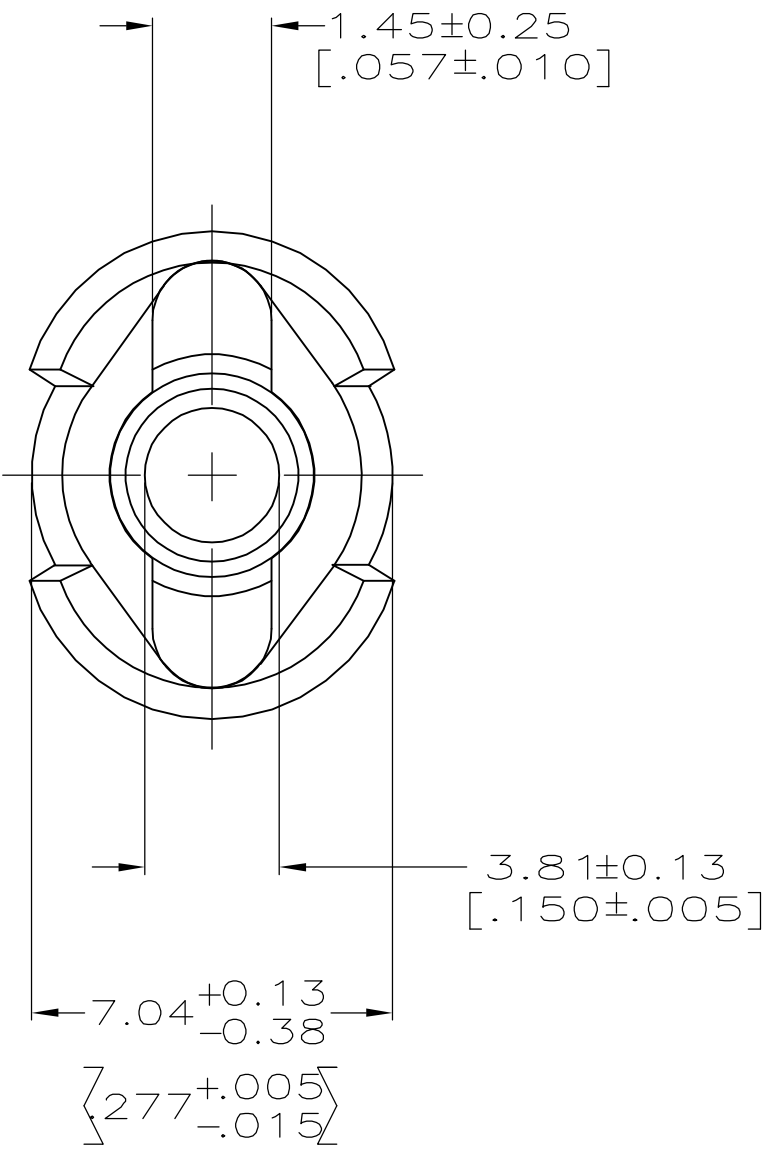


THIS DRAWING IS UNPUBLISHED. RELEASED FOR PUBLICATION
 © COPYRIGHT BY TYCO ELECTRONICS CORPORATION. ALL RIGHTS RESERVED.

LOC	DIST	REVISIONS					
AJ	16	P	LTR	DESCRIPTION	DATE	DWN	APVD
			V1	REVISED PER ECO-06-018709	18SEP2006	MC	JH



- ① ZINC PLATE PER QQ-Z-325
- ② COPPER PER QQ-C-576
- ③ BRASS PER ASTM-B-16
- ④ TIN PLATE PER MIL-T-10727

INSULATION DIA: 2.92-3.30
 [.115-.130]

OBSOLETE	.0310 OZ	NONE	④	2-323934-3
	.0310 OZ	GREEN	④	2-323934-2
OBSOLETE	-	GREEN	④	2-323934-1
OBSOLETE	.0310 OZ	GREEN	①	323934
	WEIGHT	COLOR	FINISH	PART NUMBER

THIS DRAWING IS A CONTROLLED DOCUMENT.		DWN J.L.GROFT 1-3-97	Tyco Electronics Corporation Harrisburg, PA 17105-3608	
DIMENSIONS: mm		CHK S.W.BURKHOLDER 1-3-97		
TOLERANCES UNLESS OTHERWISE SPECIFIED:		APVD S.W.BURKHOLDER 1-3-97	NAME FERRULE ASSEMBLY, TERMASHIELD	
0 PLC ± - 1 PLC ± - 2 PLC ± - 3 PLC ± - 4 PLC ± - ANGLES ± -		PRODUCT SPEC -	RESTRICTED TO -	
MATERIAL SEE NOTES		FINISH SEE NOTES	APPLICATION SPEC -	SIZE A3
		WEIGHT -	CAGE CODE 00779	DRAWING NO C-323934
CUSTOMER DRAWING			SCALE 9:1	SHEET 1 OF 1
			REV V1	