

MATERIALS:

- SST. CORROSION-RESISTANT, NON MAGNETIC 303
- BERYLLIUM COPPER
- PTFE
- SILICONE RUBBER

FINISH:

- CENTER CONDUCTORS SHALL BE PLATED GOLD OVER NICKEL.
- BODY AND BODY COMPONENTS SHALL BE PASSIVATED.

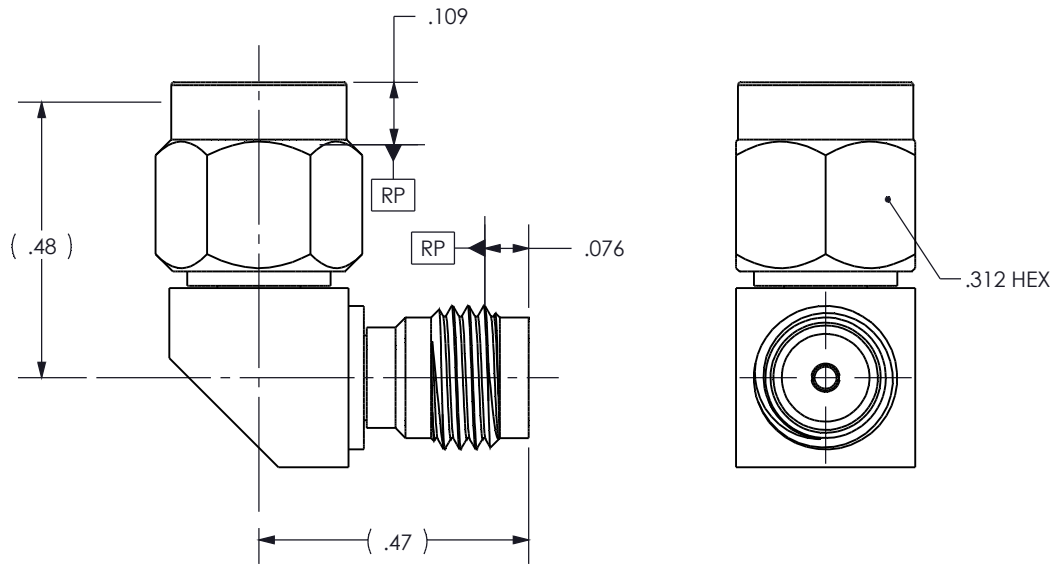
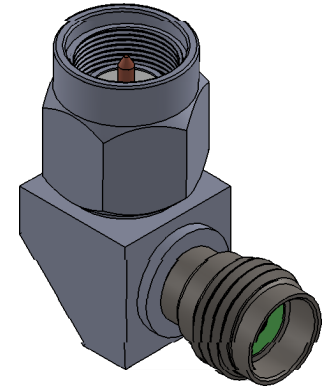
PERFORMANCE:

- FREQUENCY: DC-27 GHz
- VSWR: 1.15 TO 27 GHz
- INSERTION LOSS: .05 SQT(F(GHZ)) DB
- IMPEDANCE: 50Ohms Nom.

MECHANICAL:

- CONNECTOR DURABILITY: 500 CYCLES MINIMUM
- RECOMMENDED MATING TORQUE: 7 to 10 in.-lbs


CONNECTOR MEETS GENERAL ELECTRICAL, MECHANICAL AND ENVIRONMENTAL REQUIREMENTS OF MIL-C-39012 AND MIL-STD-348B.



PROPRIETARY INFORMATION

THE INFORMATION CONTAINED IN THIS DOCUMENT SHALL NOT BE DUPLICATED OR DISTRIBUTED WITHOUT WRITTEN PERMISSION FROM:
 SRI CONNECTOR GAGE COMPANY
 3950 DOW ROAD
 MELBOURNE, FLORIDA 32934

THIS LAYOUT IS CONCEPTUAL ONLY AND IS SUBJECT TO FINAL DRAWING.

LTR	DESCRIPTION	DATE	APPR.	DRAWN	CHECKED	USED ON	 SRI CONNECTOR GAGE COMPANY 3950 DOW ROAD MELBOURNE FLORIDA 32934		
-	REL	12/02		APPR.	SCALE NONE	20-921-4200-00			
				UNLESS OTHERWISE SPECIFIED: 1. REMOVE ALL BURRS 2. BREAK ALL CORNERS & EDGES .005 R. MAX 3. CHAMFER 1st & LAST THREADS 45° 4. SURFACE FINISHED 32 UNLESS OTHERWISE SPECIFIED. 5. DIAMETERS ON COMMON CENTERS TO BE CONCENTRIC WITHIN .002 T.I.R. 6. ALL DIMENSIONS ARE AFTER PLATING.		MATERIAL	TITLE:		
				DIMENSIONS ARE IN INCHES TOLERANCES		SEE NOTES	SMA PLUG TO TO SMA PLUG R/A		
				DECIMALS .X ± .030 .XX ± .010 .XXX ± .005	FRACTIONAL ± 1/64	ANGULAR .X° ± 1° .X*X ± 15'			
						SIZE A	FSCM NO. OHM01	SHEET 1	DWG. NO. 20-921-4200-00