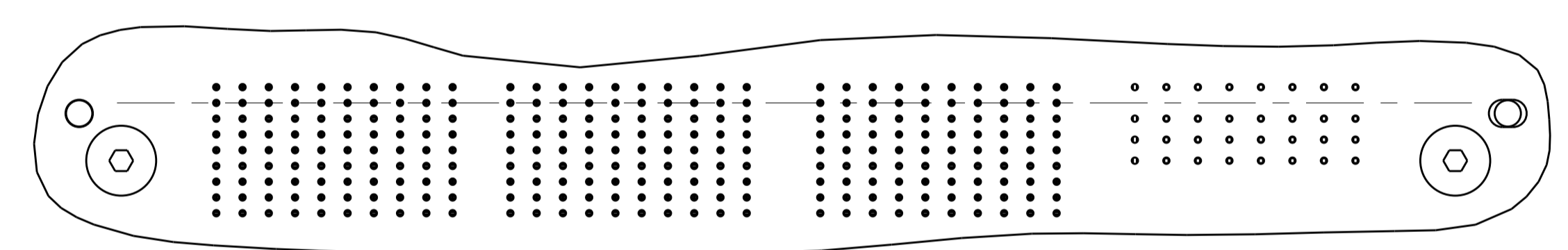
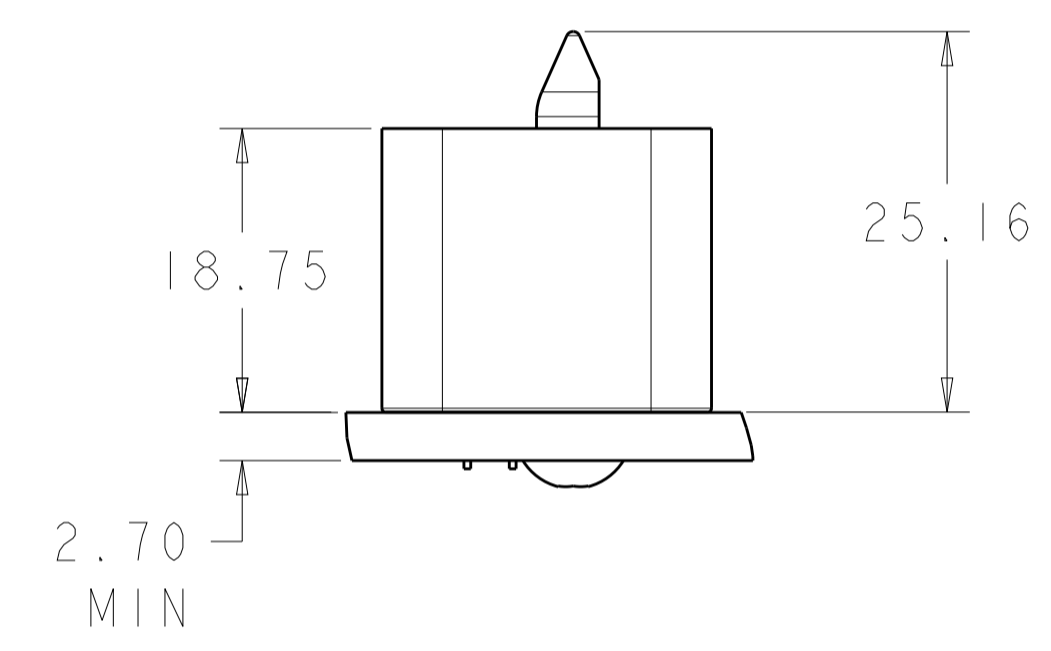
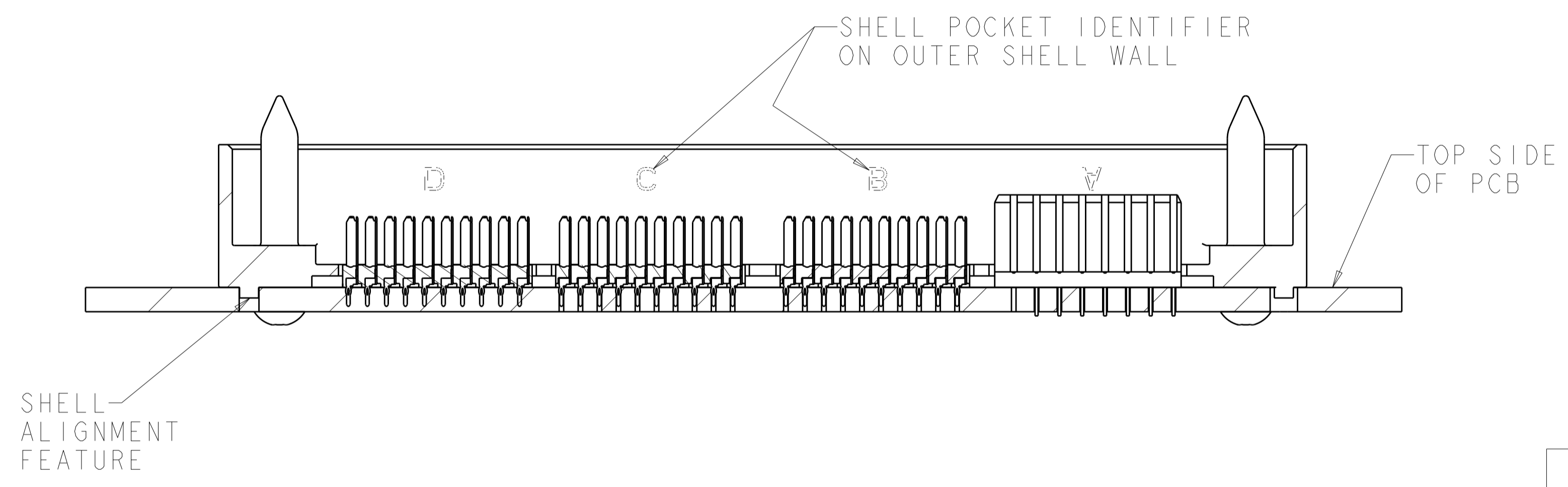
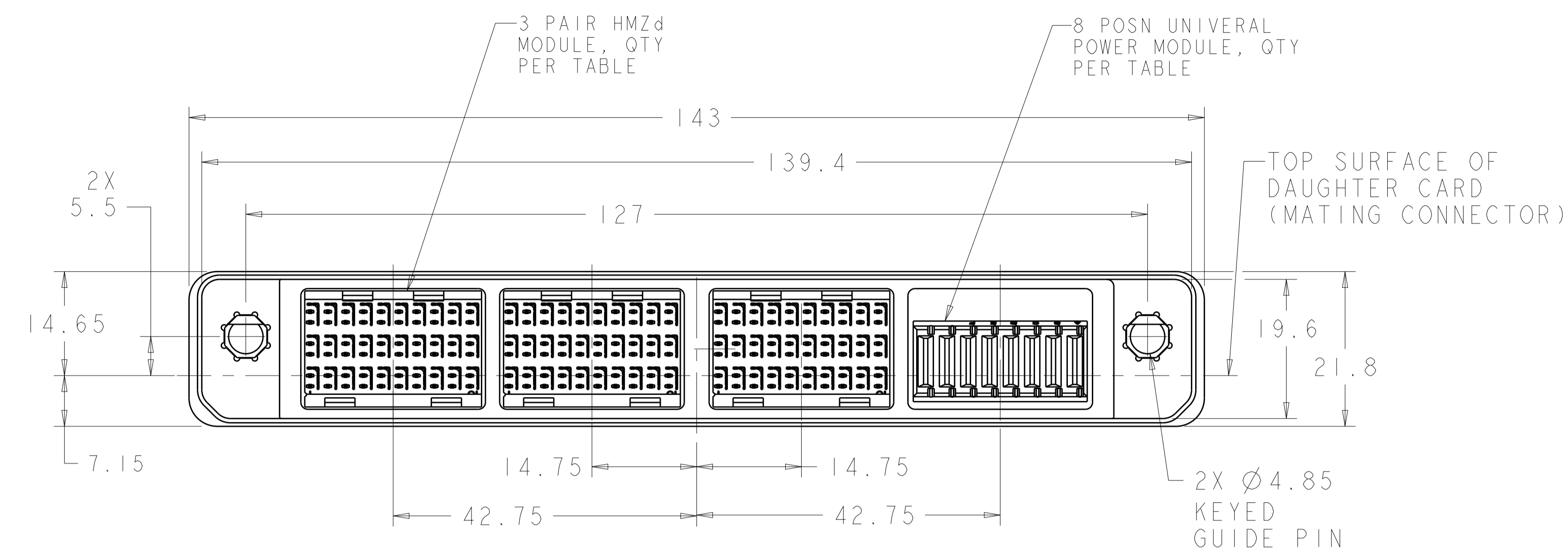


LOC	DIST	REVISIONS			
		REV	DATE	BY	APPV
		F	5-22-14	CT	DH
		G	01JUL2015	DLB	DH



	△2	TIN-LEAD	1	-	1	2	1-2000668-0
	△2	-	-	-	-	-	2000668-9
	△3	TIN-LEAD	-	-	1	3	2000668-8
	--	TIN	-	-	-	4	2000668-7
	△2	-	-	-	-	-	2000668-6
OBSOLETE	△2	TIN-LEAD	1	-	1	2	2000668-5
OBSOLETE	△2	--	-	-	-	-	2000668-4
OBSOLETE	--	TIN-LEAD	-	-	1	3	2000668-3
OBSOLETE	--	TIN	-	-	-	4	2000668-2
OBSOLETE	△2	--	-	-	-	-	2000668-1
REMARKS	TAIL PLATING		4 MT FIBER OPTIC MODULE	COAX	8 POSN UPM MODULE	3 PAIR HMZd MODULE	PART NUMBER
							MODULE QTY PER ASSY

1. MATING CONNECTOR FOR THIS CONNECTOR IS 2000667.

△2 PRELIMINARY- NOT RELEASED FOR PRODUCTION.

△3 SEE FIGURE A.

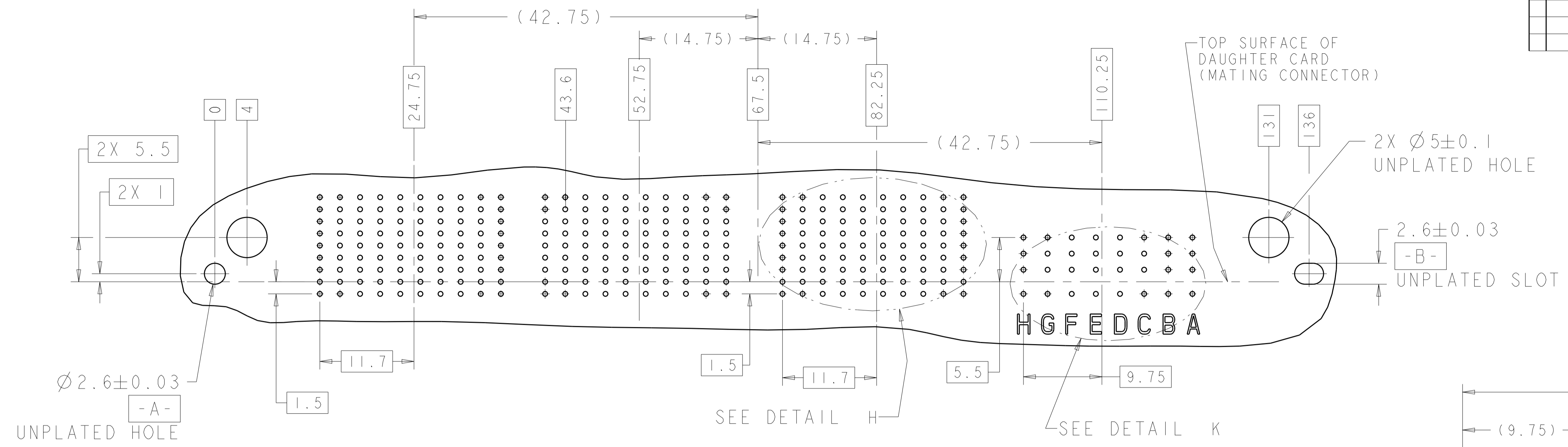
THIS DRAWING IS A CONTROLLED DOCUMENT. DWG: Brent D. Tohn 11DEC2009
 CHK: HUNG T. NGUYEN 11DEC2009
 APVD: CHONG YI 11DEC2009

STE TE Connectivity

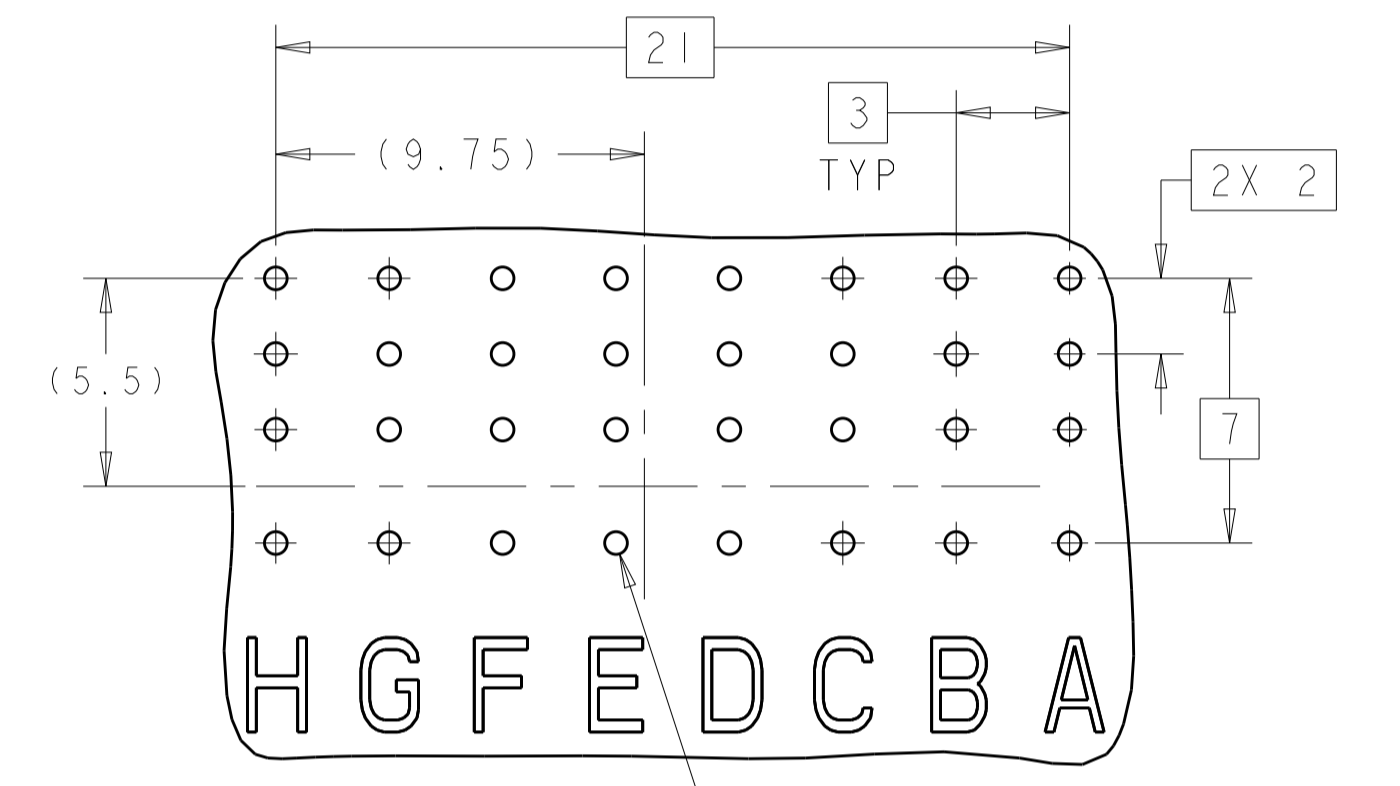
NAME: MOTHER BOARD CONNECTOR, HIGH SPEED RUGGEDIZED (HSR), 4 BAY, UNSEALED, VERTICAL

PRODUCT SPEC: -
 APPLICATION SPEC: -
 SIZE: A1 CAGE CODE: 00779 DRAWING NO: 2000668 RESTRICTED TO: -
 MATERIAL: - FINISH: - WEIGHT: - SCALE: 2:1 SHEET 1 OF 2 REV G

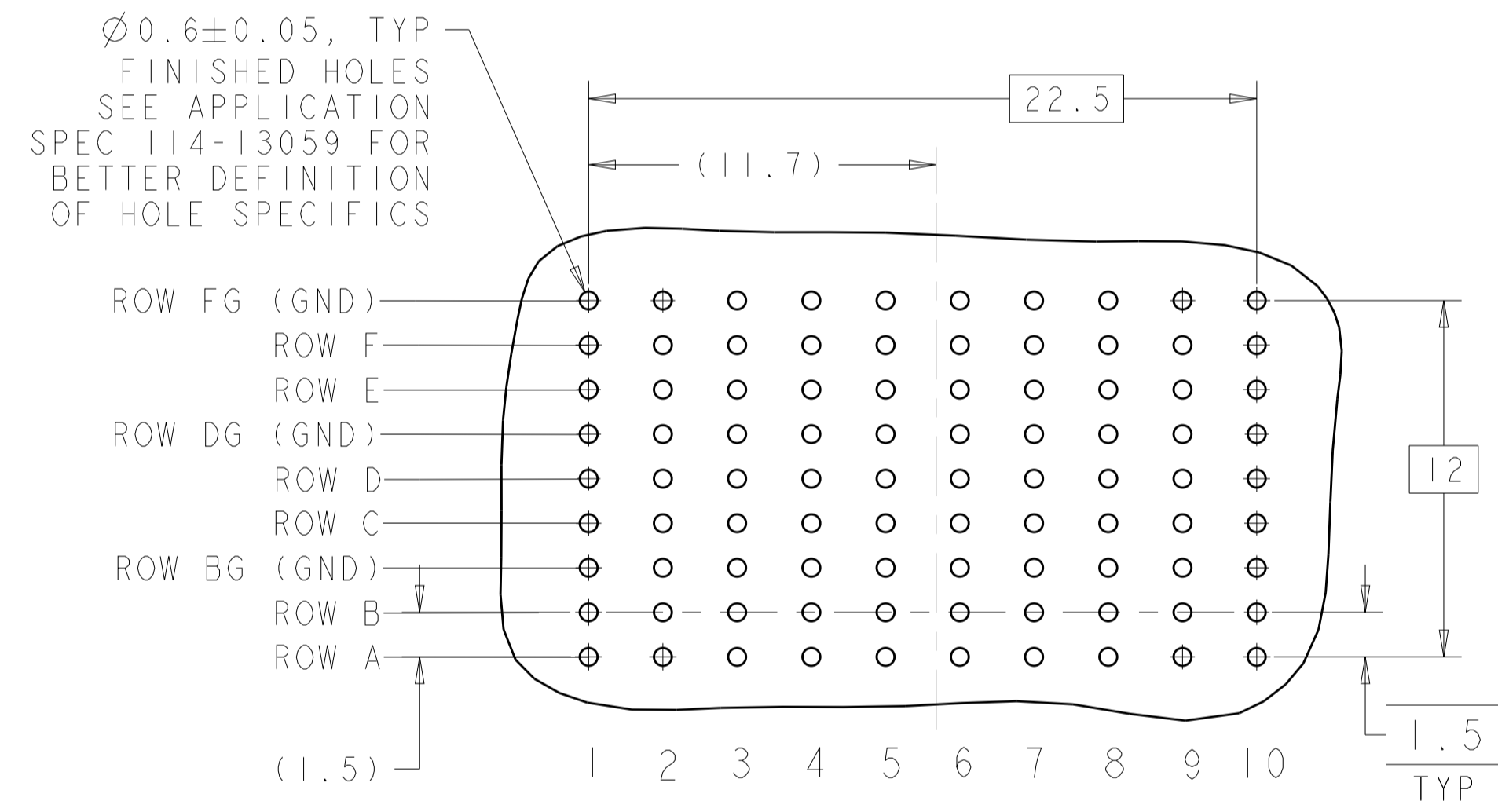
REVISONS		DATE	OWN	APVD
1	SEE SHEET 1			



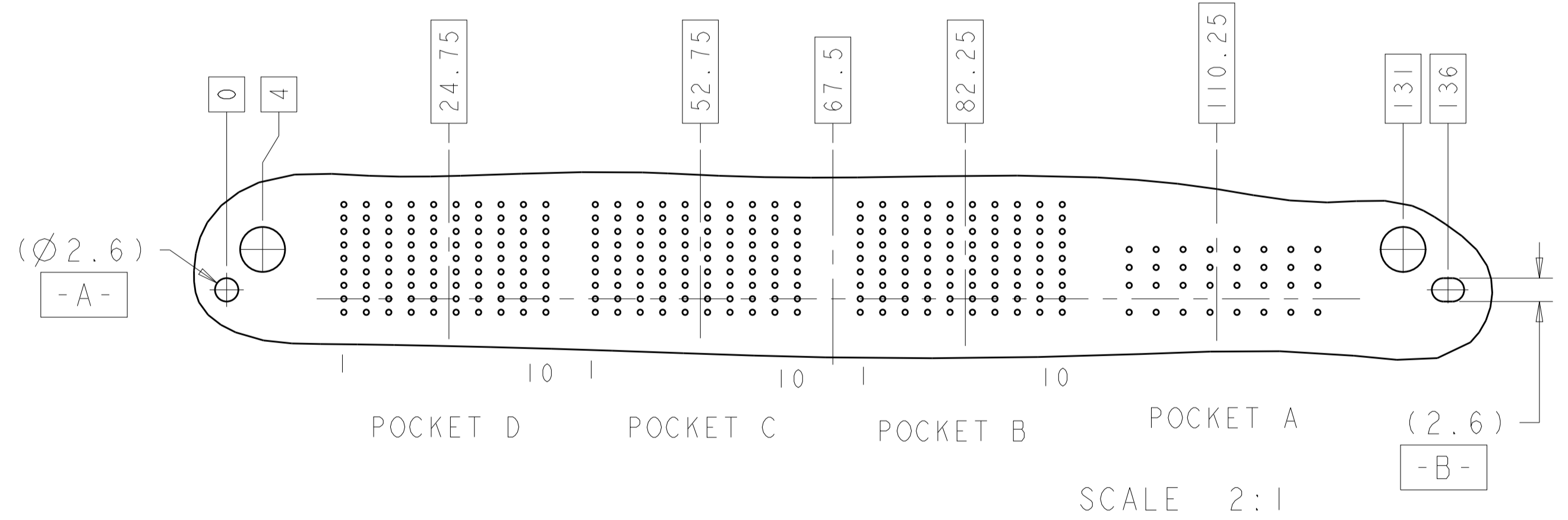
RECOMMENDED PC BOARD HOLE LAYOUT
AS VIEWED FROM TOP OF PC BOARD
2000668-8 SHOWN



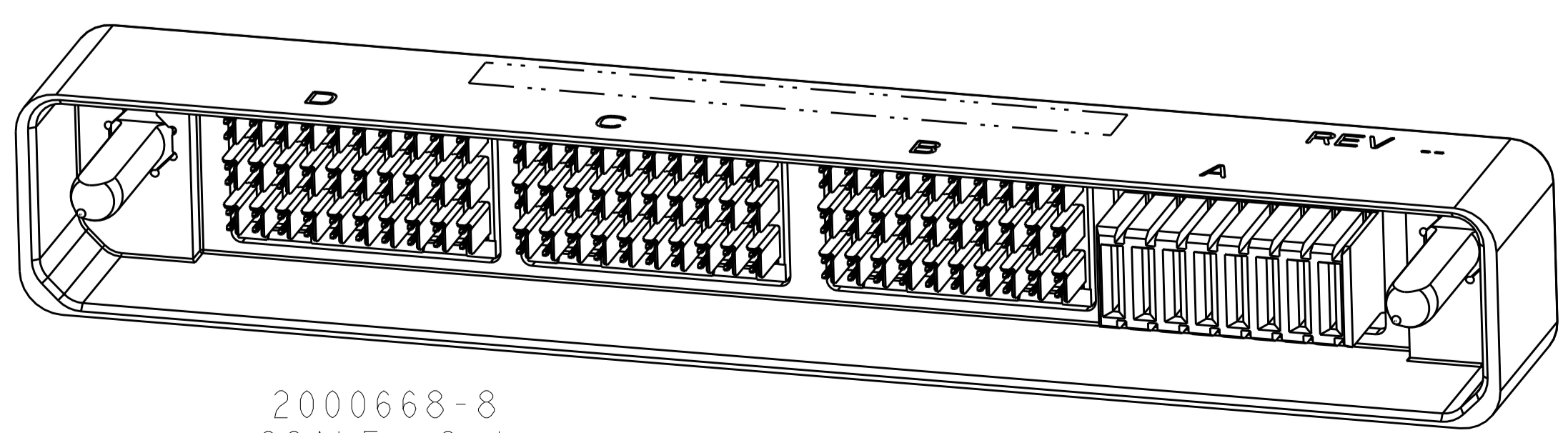
DETAIL K
SCALE 5:1
8 POSITION
UNIVERSAL
POWER MODULE



DETAIL H
SCALE 5:1
3 PAIR HMZd
TYP 3X



RECOMMENDED PC BOARD HOLE LAYOUT
AS VIEWED FROM TOP OF PCB
2000668-8 SHOWN (3 HM-Zd MODULES
AND 1 UPM MODULE)



2000668-8
SCALE 2:1

THIS DRAWING IS A CONTROLLED DOCUMENT.		OWN: Brent D. Tohn CHK: HUNG T. NGUYEN APVD: CHONG YI	DATE: 11DEC2009 DATE: 11DEC2009 DATE: 11DEC2009	TE Connectivity	
DIMENSIONS:	TOLERANCES UNLESS OTHERWISE SPECIFIED:	PRODUCT SPEC	APPLICATION SPEC	SIZE	CAGE CODE
mm	0 PLC ± 1 PLC ± 2 PLC ± 3 PLC ± 4 PLC ± ANGLES ±			A1	00779
MATERIAL:	FINISH:	WEIGHT:	CUSTOMER DRAWING	SCALE: 3:1	SHEET 2 OF 2
				REV: G	