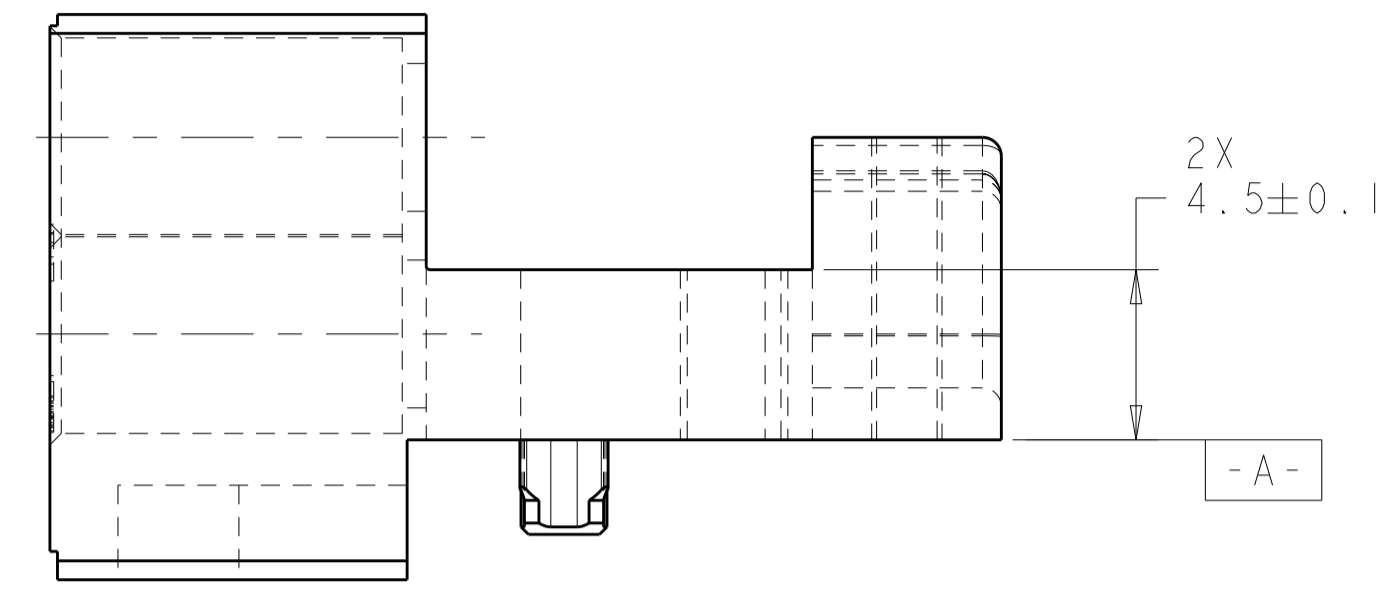
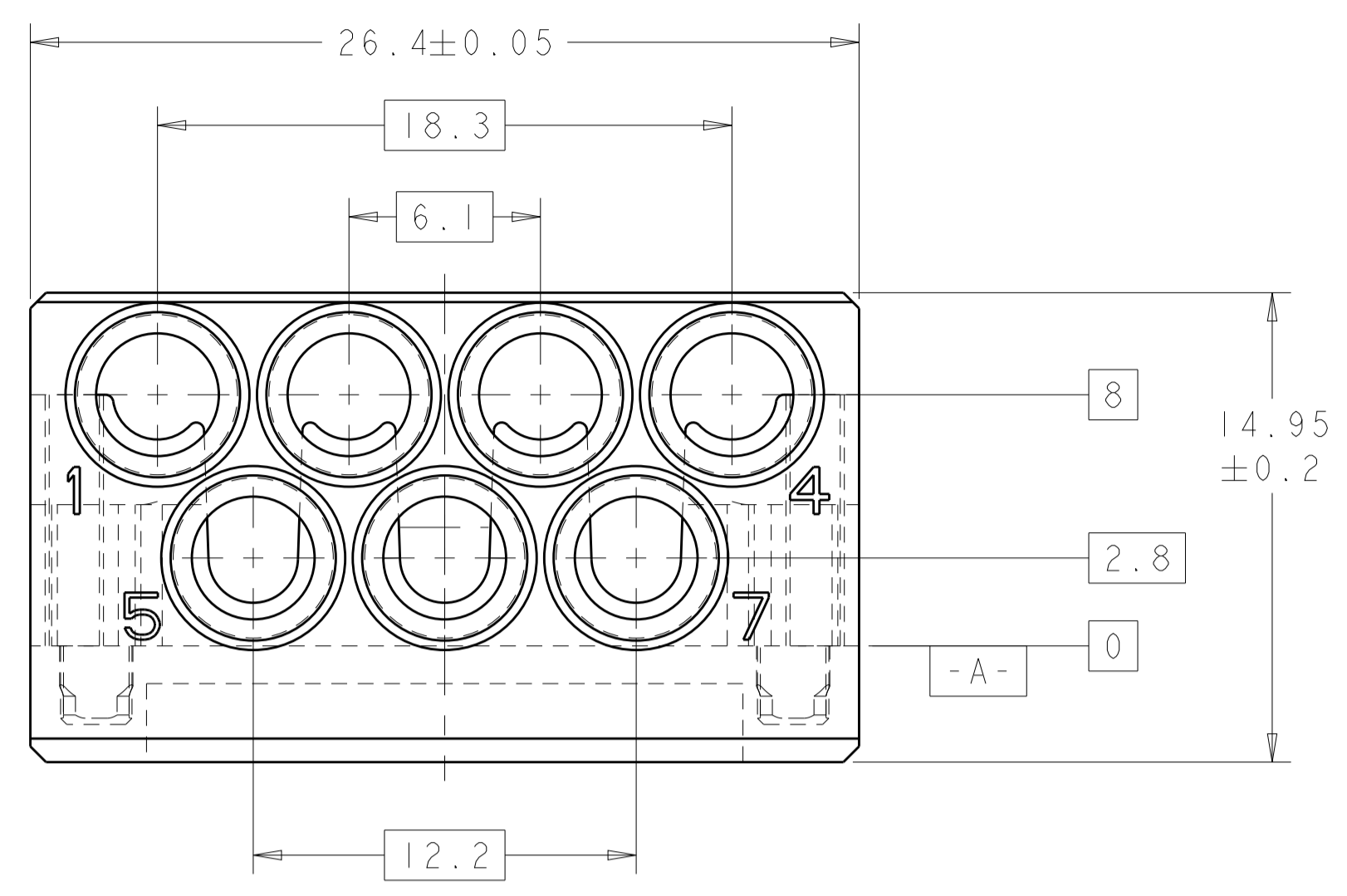
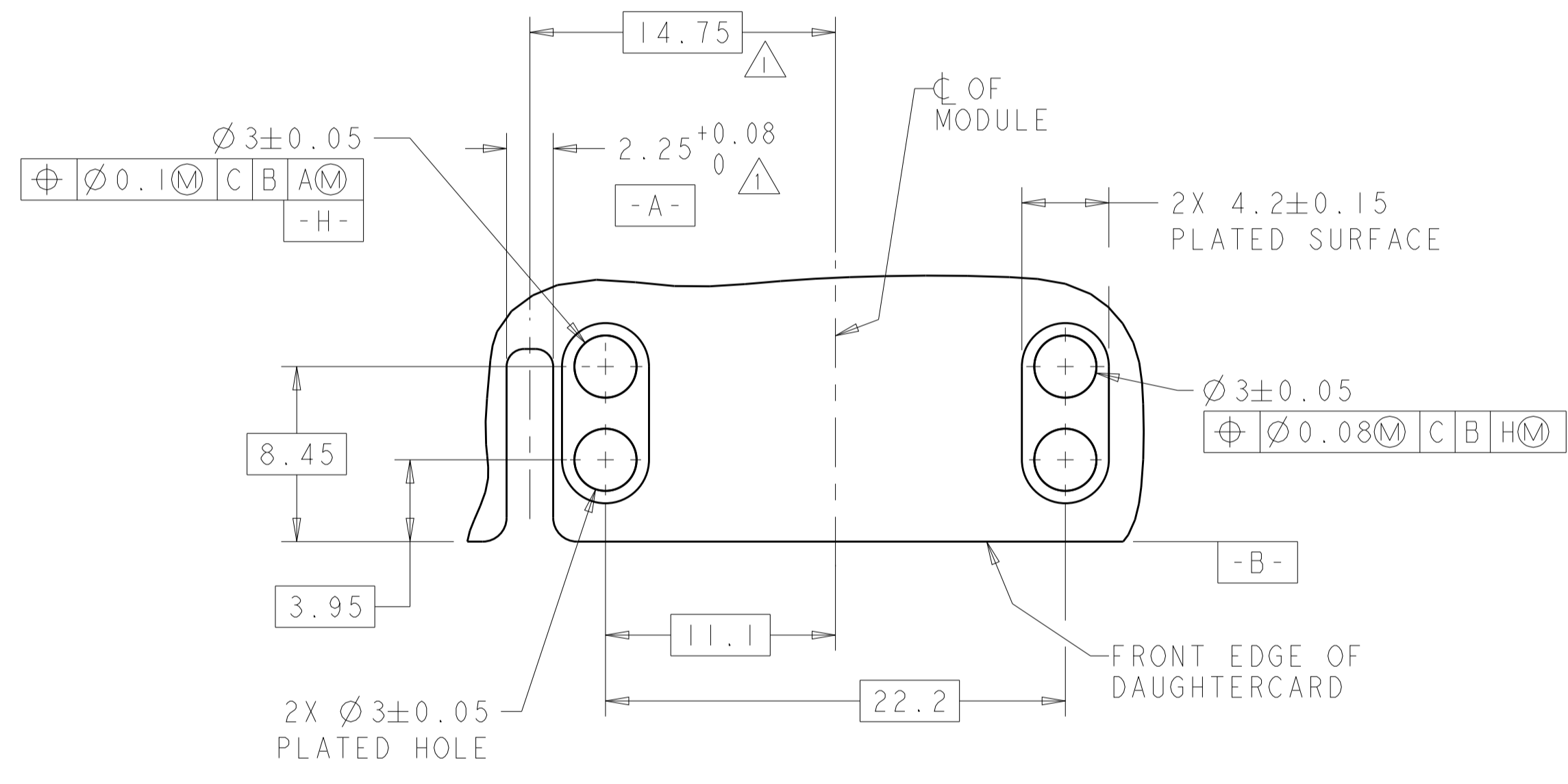
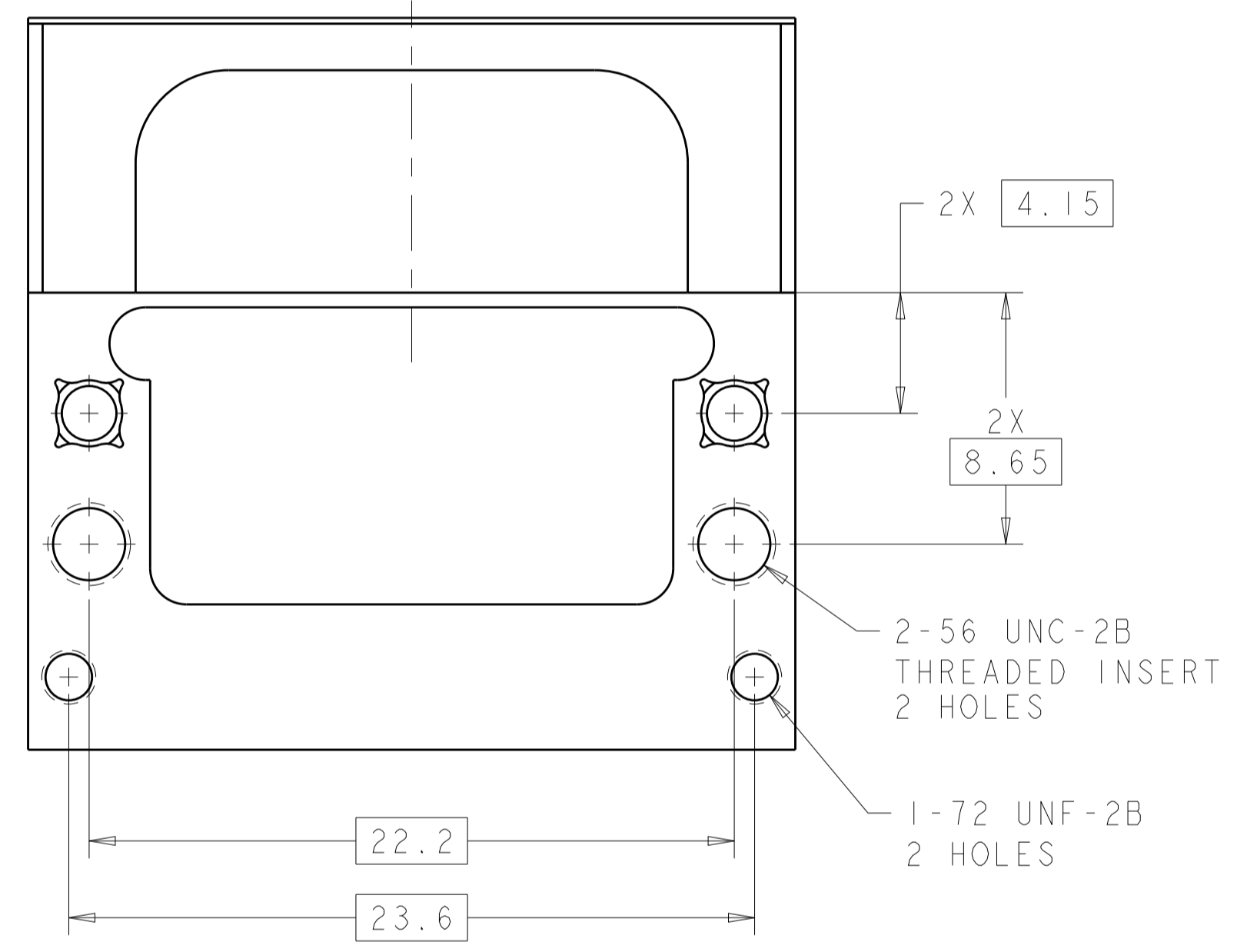


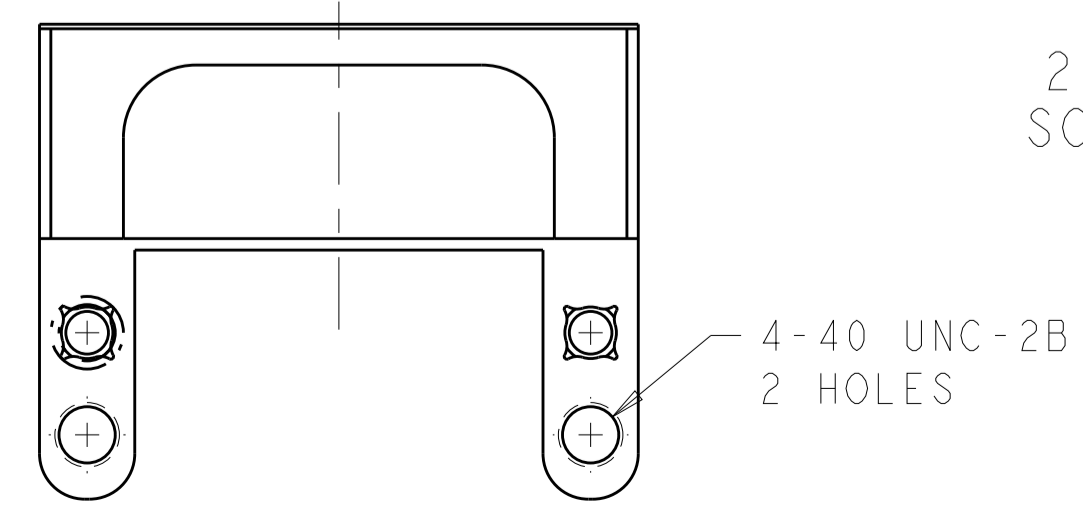
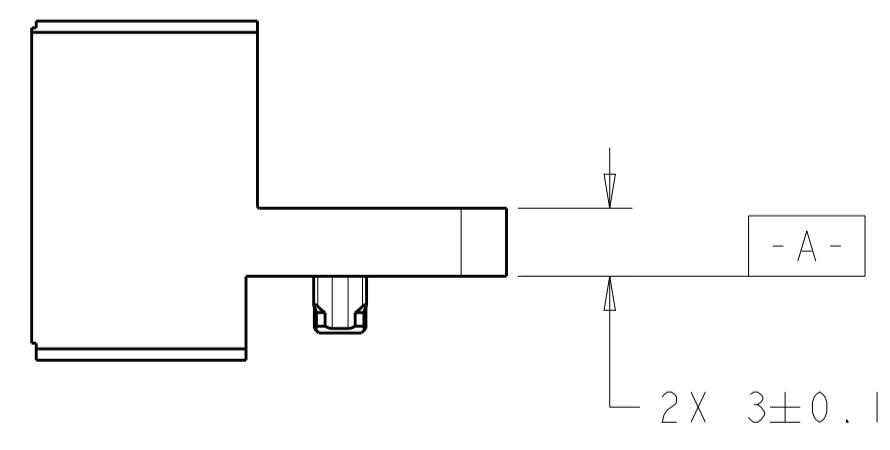
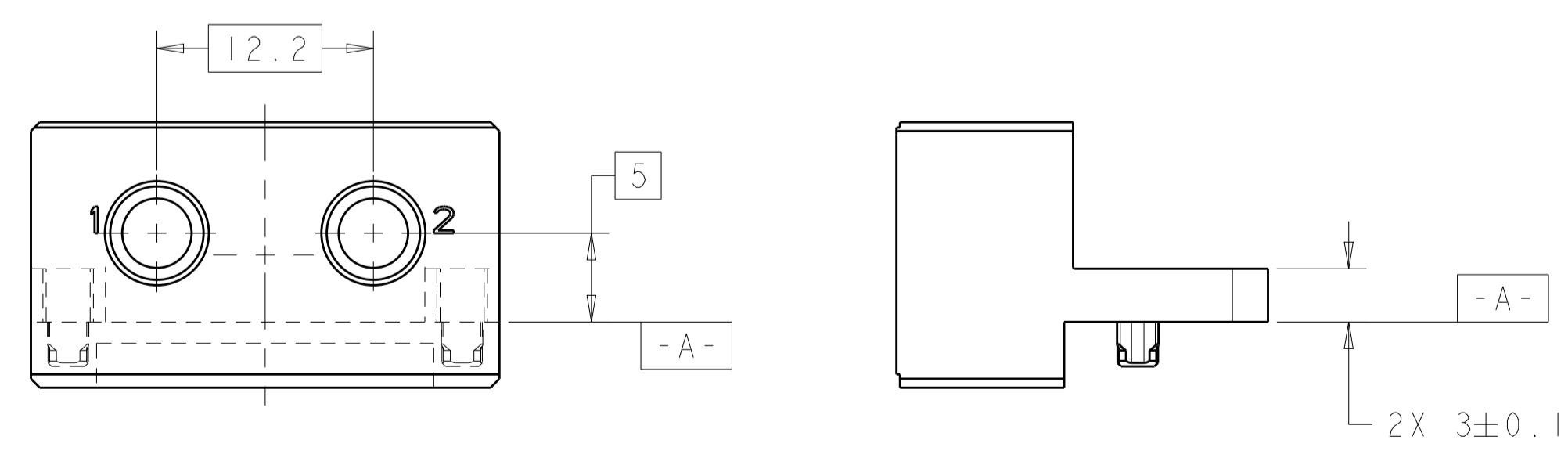
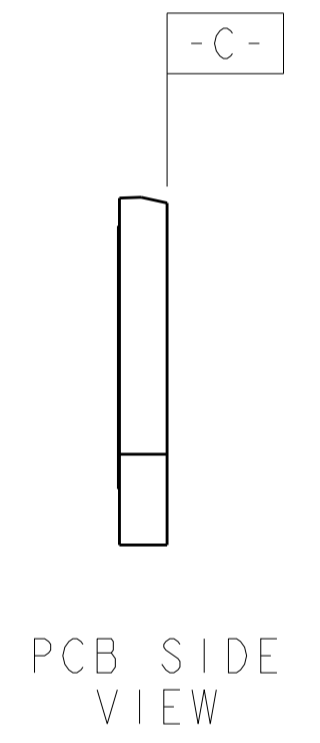
LOC		DIST		REVISIONS			
P	LTN	DESCRIPTION	DATE	DWN	APVD		
A		RELEASED PER ECO 12-020238	11-16-12	CT	DH		



- 1 THE 2.25 FEATURE, [-A-], IS A TYPICAL HSR FAMILY LOCATING FEATURE. IN OTHER APPLICATIONS OF THIS MODULE A DIFFERENT FEATURE MAY BE USED FOR ESTABLISHING CORRECT LOCATION. THE [14.75] DIMENSION MAY BE REPLACED WITH OTHER VALUES FOR LOCATING THIS MODULE IN DIFFERENT POCKETS OF VARIOUS HSR CONFIGURATIONS.
- 2 MATL: ALUMINUM PER ASTM-B-209. FINISH: ELECTROLESS NICKEL PER AMS-C-26074 CLASS 1.
- 3 MATL: STAINLESS STEEL PER ASTM-A-582. FINISH: PASSIVATED PER AMS 2700B.
- 4 2000671-2 TO BE ORDERED UNDER KIT PART NO 2102272-1 THAT INCLUDES A STRAIN RELIEF COVER AND HOLD DOWN SCREWS.



PCB LAYOUT FOR COAX MODULES
2000671-2 AND -4
SCALE 4:1



2000671-4
SCALE 3:1

DESCRIPTION	MATERIAL AND FINISH	POSITIONS	PART NUMBER
AS SHOWN	3	2	2000671-4
AS SHOWN 4	2	7	2000671-2

THIS DRAWING IS A CONTROLLED DOCUMENT. OWN: 29 JUL 2008. BRENT D. TOUM. CHK: 29 JUL 2008. HUNG T. NGUYEN. APVD: 29 JUL 2008. HUNG T. NGUYEN. NAME: MODULE, COAX, PLUG, DAUGHTER CARD, HSR, UNSEALED, STANDARDIZED 4 BAY. PRODUCT SPEC: -. APPLICATION SPEC: -. SIZE: A1. CAGE CODE: 2000671. DRAWING NO: 2000671. RESTRICTED TO: -. MATERIAL: SEE TABLE. FINISH: SEE TABLE. WEIGHT: -. SCALE: 1:1. SHEET: 1 OF 1. REV: A.