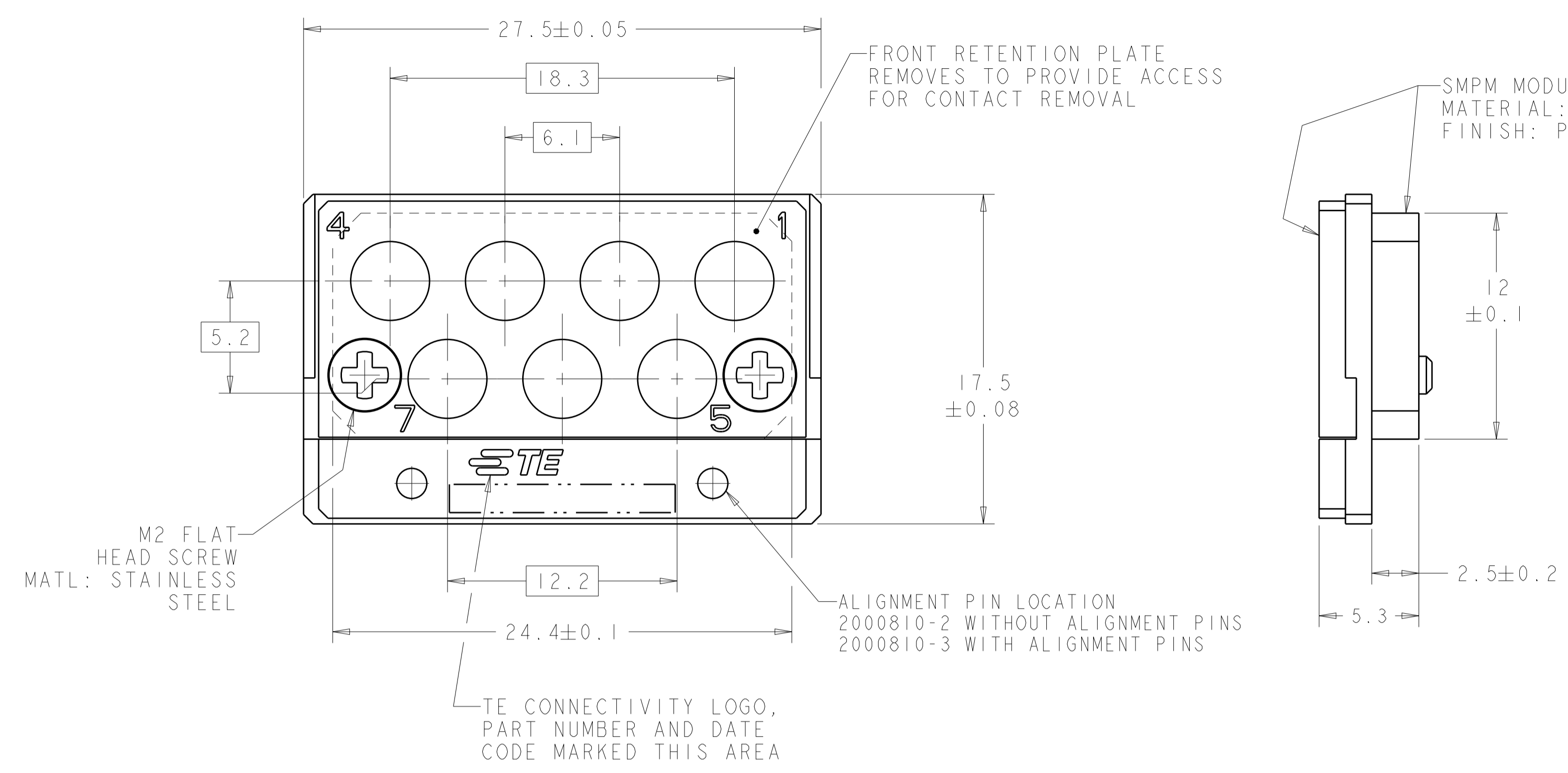
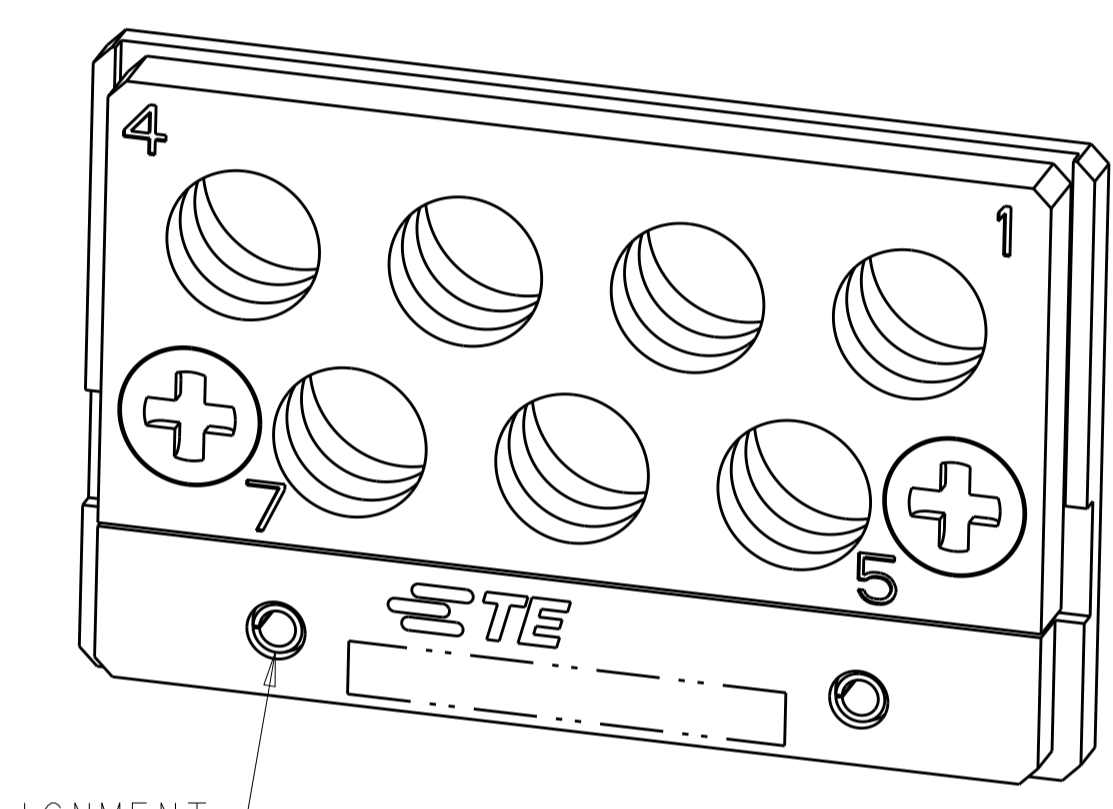


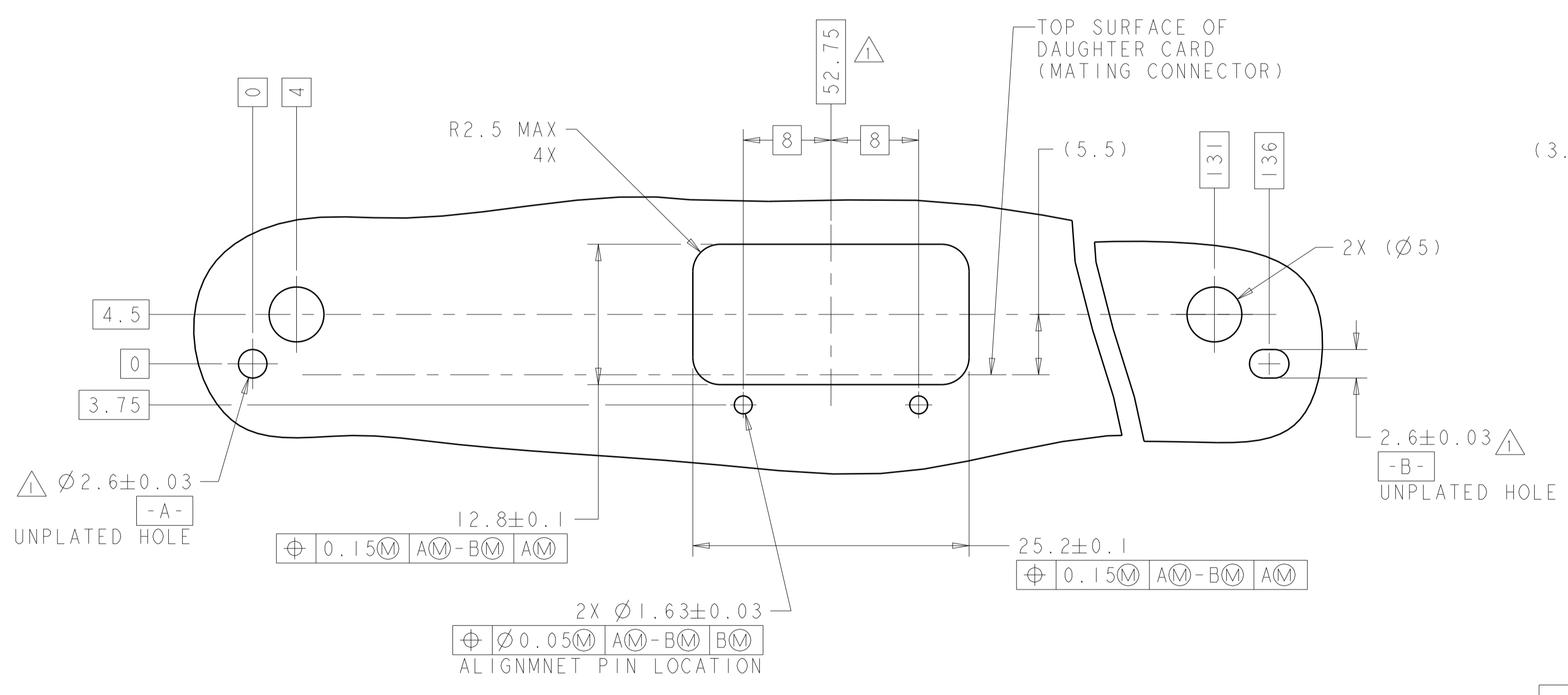
REVISIONS				
P.	LTM	DESCRIPTION	DATE	OWN APVD
B		REV PER ECO 19-005301	4-4-19	CT PR



- 1 THE 2.60 FEATURES, [-A-] AND [-B-] ARE TYPICAL HSR FAMILY LOCATING FEATURES. IN OTHER APPLICATIONS OF THIS MODULE A DIFFERENT FEATURE MAY BE USED FOR ESTABLISHING CORRECT LOCATION. THE [52.75] DIMENSION MAY BE REPLACED WITH OTHER VALUES FOR LOCATING THIS MODULE IN DIFFERENT POCKETS OF VARIOUS HSR CONFIGURATIONS.
- 2 CONSULT WITH TE CONNECTIVITY DEVELOPMENT ENGINEERING FOR MOUNTING DETAILS AND P.C. BOARD CUTOUT DETAILS FOR 2000810-6.
- 3. MODULE SHIPPED AS SHOWN. TWO SCREWS TO BE TORQUED TO 2.0 INCH-LBS.



ALIGNMENT PINS
 2000810-3
 WITH ALIGNMENT PINS
 TO PCB



TYPICAL 4 BAY HSR
 P C BOARD CUTOUT
 FOR -2 THRU -5 ONLY
 SCALE 2:1

REMOVE FRONT RETENTION PLATE	AS SHOWN ON SHT 2, WITH FORWARD FACING ALIGNMENT PINS	7	2000810-6
PRELIMINARY	REMOVE REAR MODULE	7	2000810-5
PRELIMINARY	AS SHOWN ON SHT 2, WITHOUT ALIGNMENT PINS	7	2000810-4
PRELIMINARY	REMOVE FRONT RETENTION PLATE	7	2000810-3
	AS SHOWN ON SHT 1, WITHOUT ALIGNMENT PINS	7	2000810-2
CONTACT REMOVAL TYPE	DESCRIPTION	POSITIONS	PART NUMBER

THIS DRAWING IS A CONTROLLED DOCUMENT. DWN: Brent D. Yohn 29 JUL 2008
 CHK: Chong Yi 07 FEB 2013
 APVD: Chong Yi 12 MAR 2013

STE TE Connectivity

NAME: MODULE, COAX, 7 POSN, RECEPTACLE, MOTHERBOARD, HSR, UNSEALED, STANDARDIZED 4 BAY

SIZE: A1 CAGE CODE: 2000810 DRAWING NO: 100779 ©=2000810

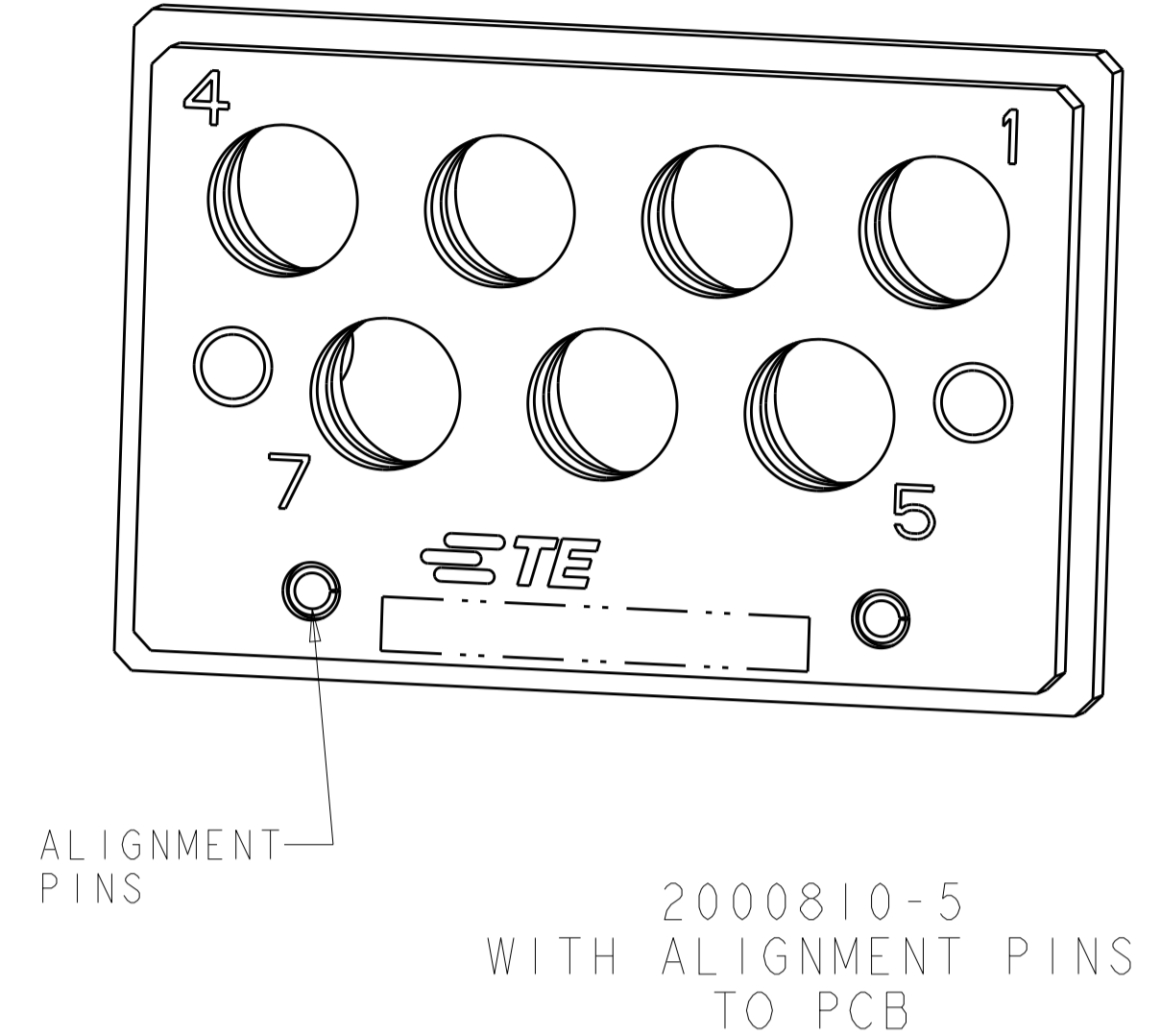
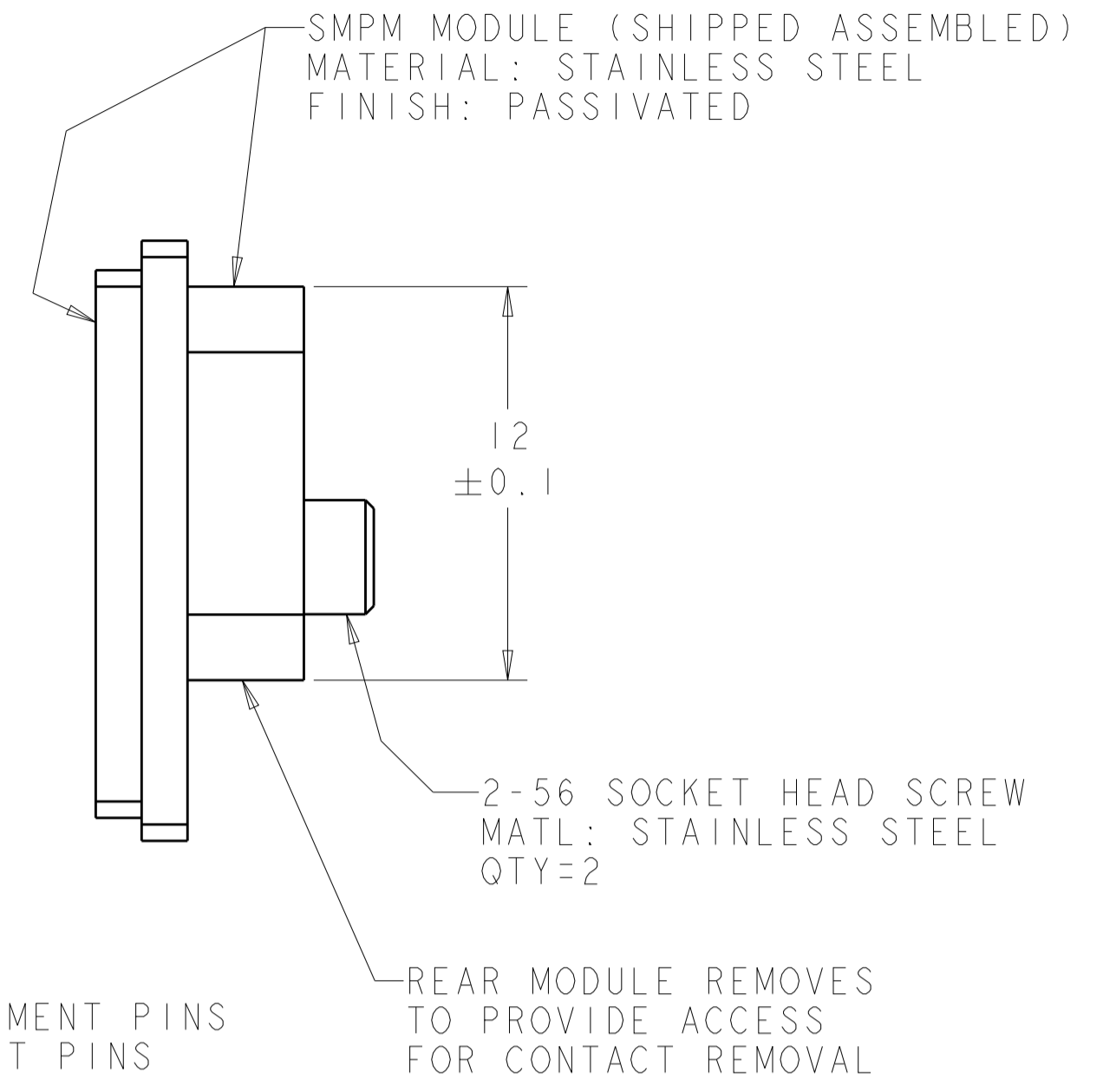
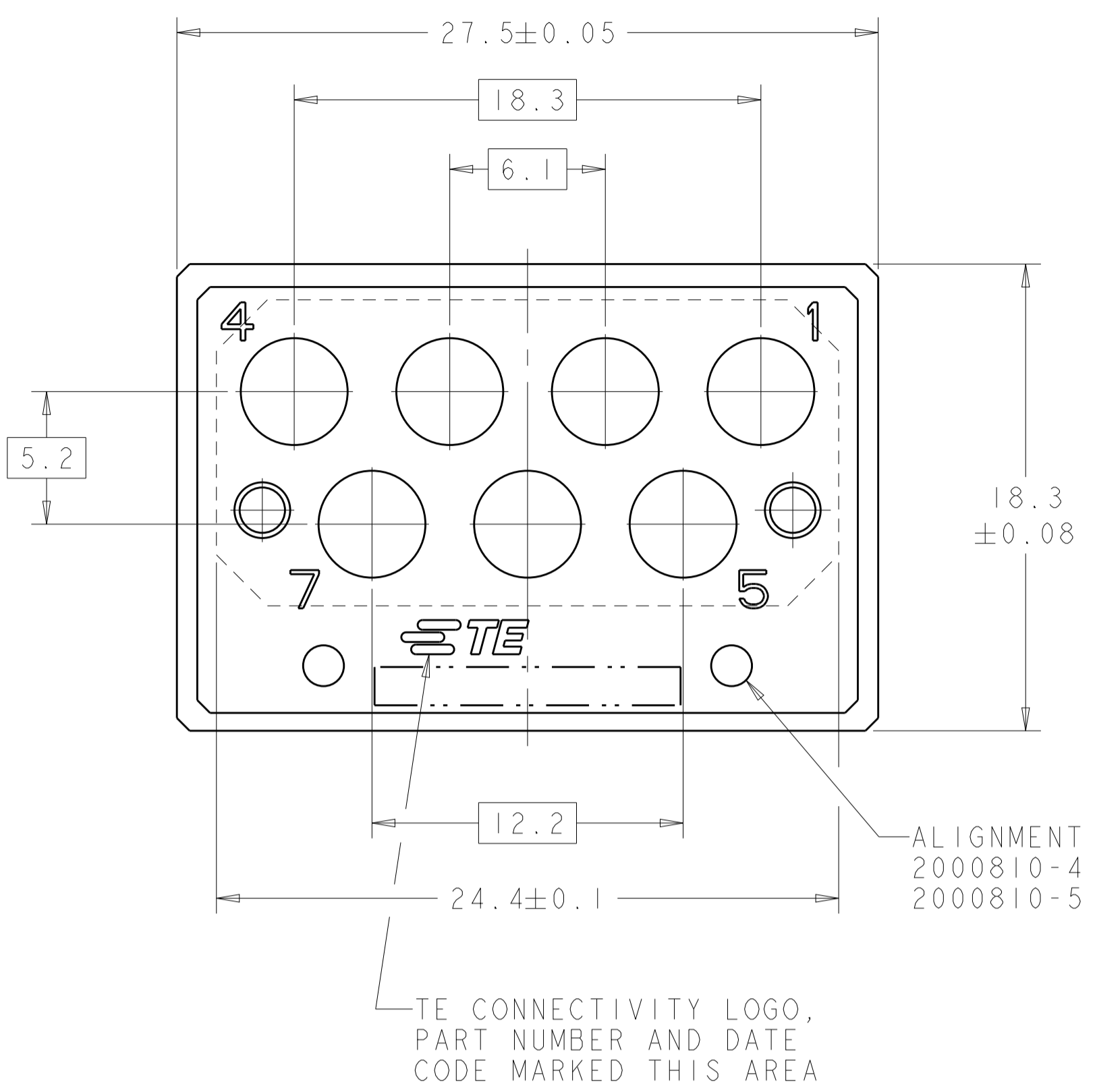
MATERIAL: STAINLESS STEEL PER ASTM-A-582 FINISH: PASSIVATED PER AMS 2700B

WEIGHT: -

CUSTOMER DRAWING

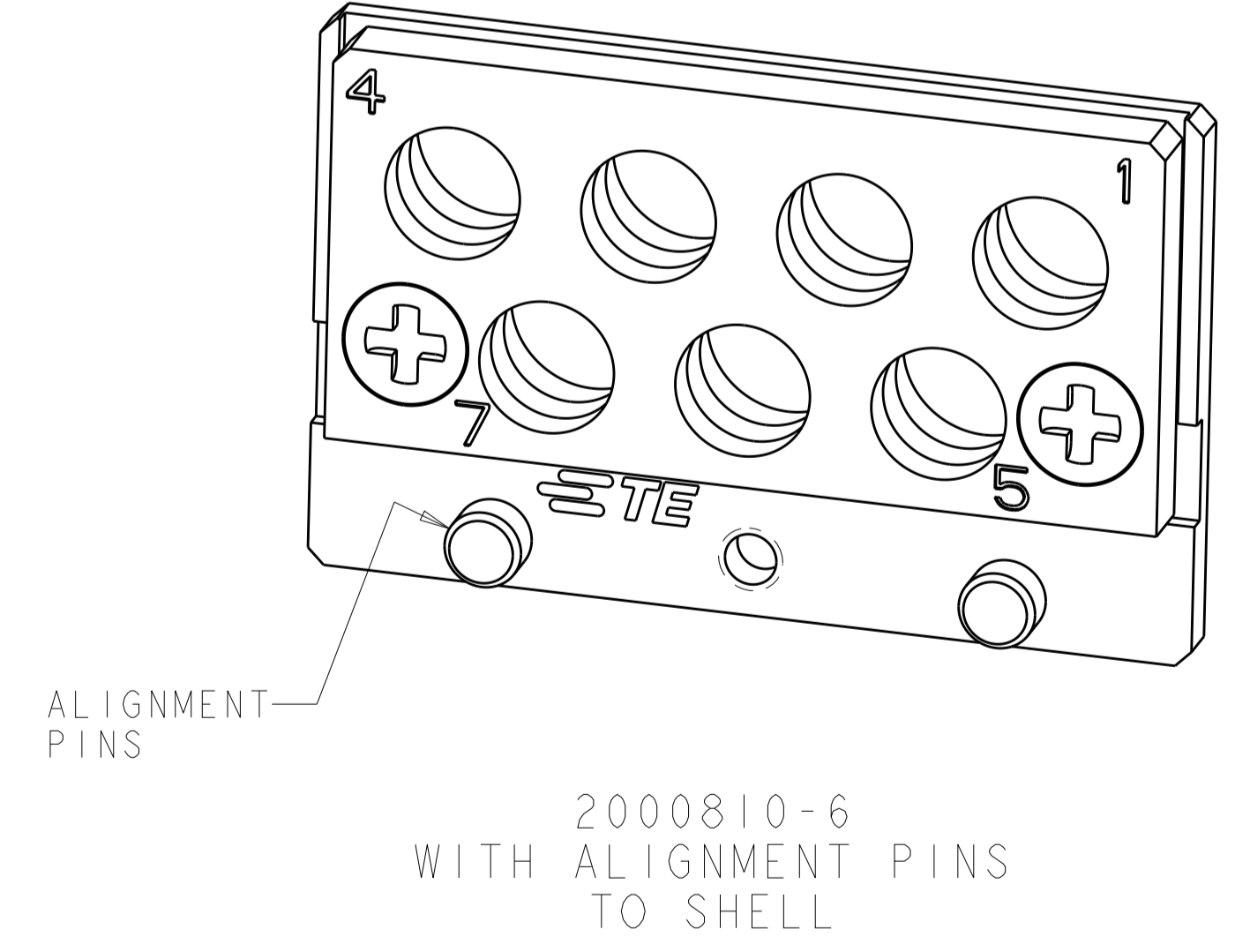
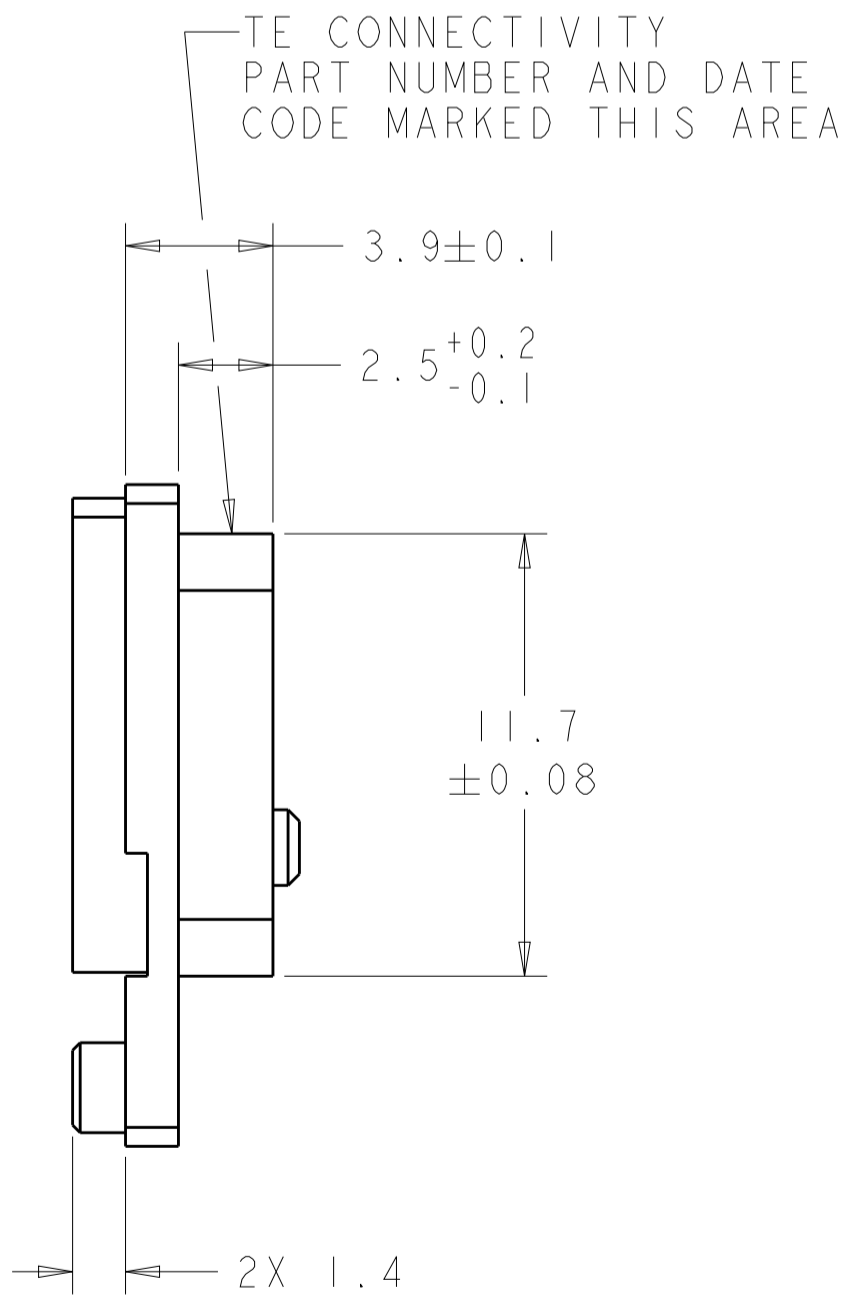
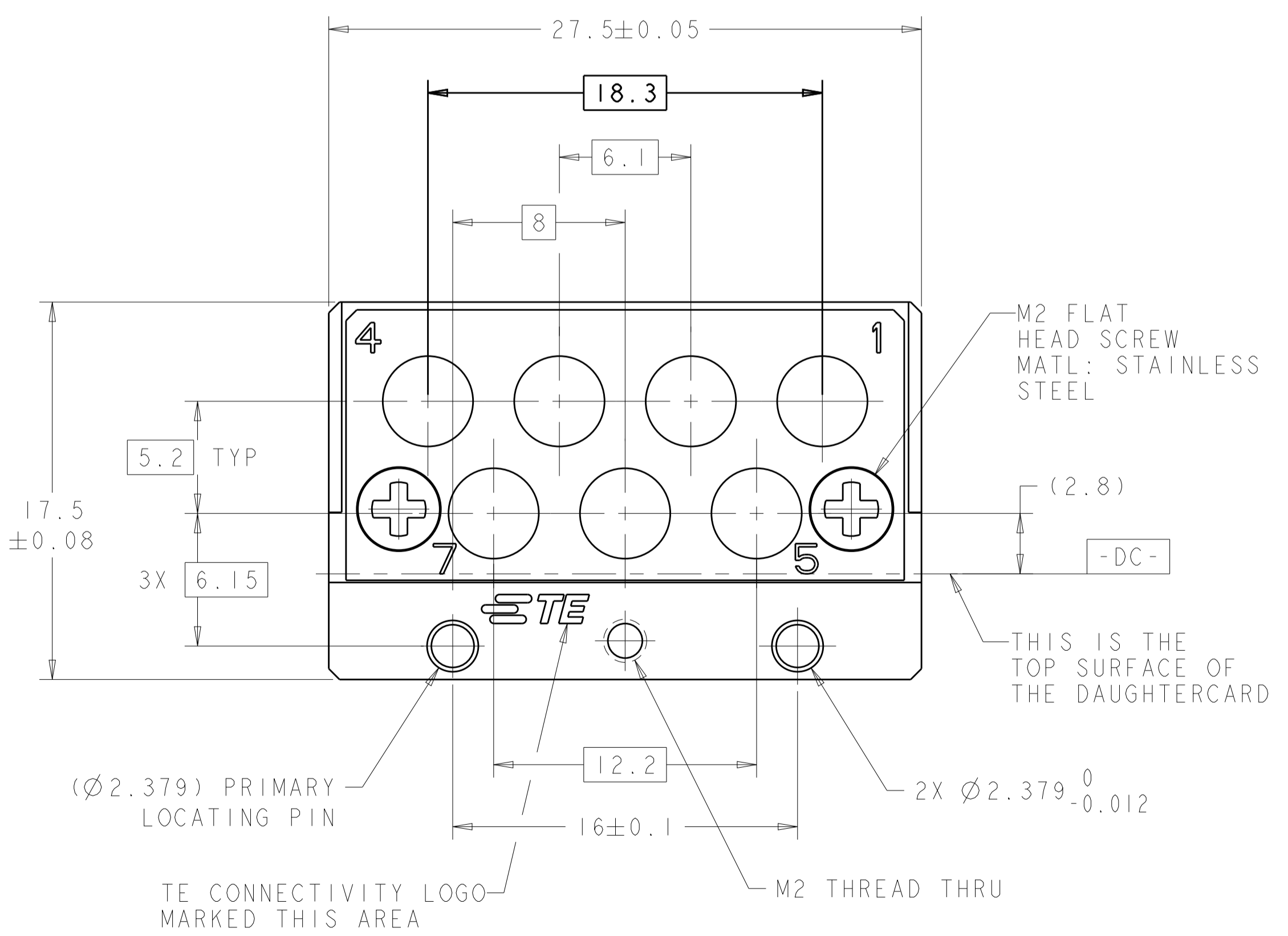
SCALE: 2:1 SHEET 1 OF 2 REV B

REVISIONS				
P.	LTN	DESCRIPTION	DATE	APVD
-	-	SEE SHEET 1	-	-



ALIGNMENT PIN LOCATION
2000810-4 WITHOUT ALIGNMENT PINS
2000810-5 WITH ALIGNMENT PINS

TE CONNECTIVITY LOGO,
PART NUMBER AND DATE
CODE MARKED THIS AREA



2000810-6 WITH ALIGNMENT PINS

THIS DRAWING IS A CONTROLLED DOCUMENT.		OWN: 29 JUL 2008 Brent D. Yohm	TE Connectivity										
DIMENSIONS: mm		CHK: 07 FEB 2013 Chong Yi											
TOLERANCES UNLESS OTHERWISE SPECIFIED:		APVD: 12 MAR 2013 Chong Yi	NAME: MODULE, COAX, 7 POSN. RECEPTACLE, MOTHERBOARD, HSR, UNSEALED, STANDARDIZED 4 BAY										
<table border="1"> <tr><td>0 PLC</td><td>±</td></tr> <tr><td>1 PLC</td><td>±0.1</td></tr> <tr><td>2 PLC</td><td>±0.05</td></tr> <tr><td>3 PLC</td><td>±</td></tr> <tr><td>4 PLC</td><td>±</td></tr> </table>		0 PLC	±	1 PLC	±0.1	2 PLC	±0.05	3 PLC	±	4 PLC	±	PRODUCT SPEC	RESTRICTED TO
0 PLC	±												
1 PLC	±0.1												
2 PLC	±0.05												
3 PLC	±												
4 PLC	±												
MATERIAL: STAINLESS STEEL PER ASTM-A-582		FINISH: PASSIVATED PER AMS 2700B	SIZE: A100779 C=2000810										
CUSTOMER DRAWING		SCALE: 2:1	SHEET 2 OF 2 REV B										