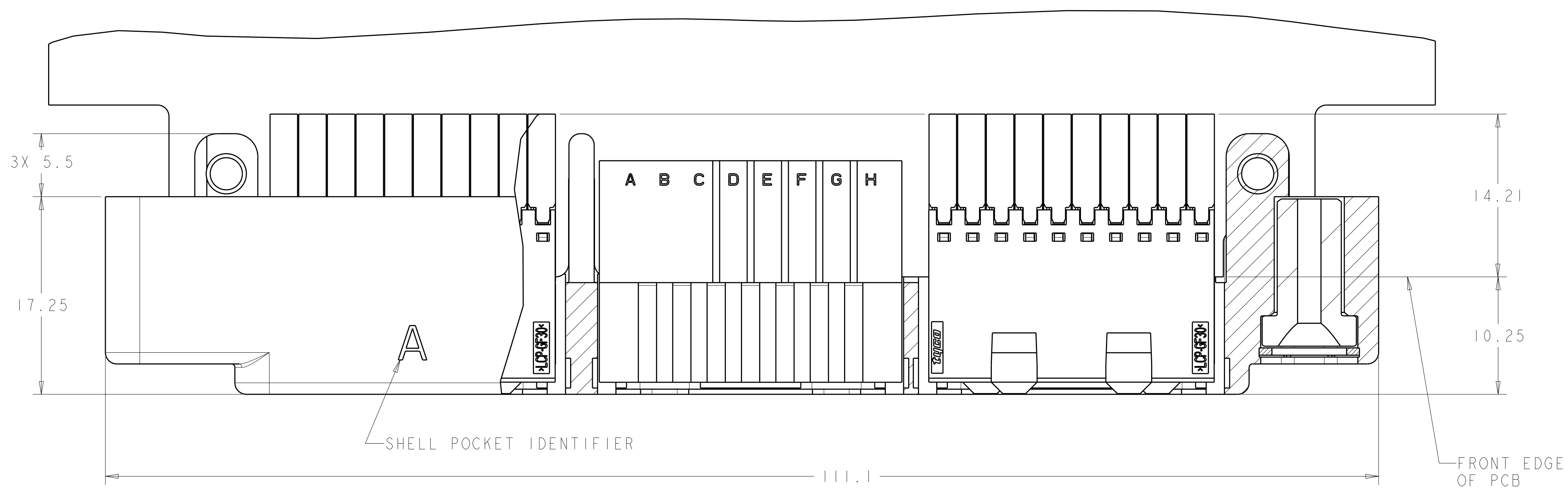
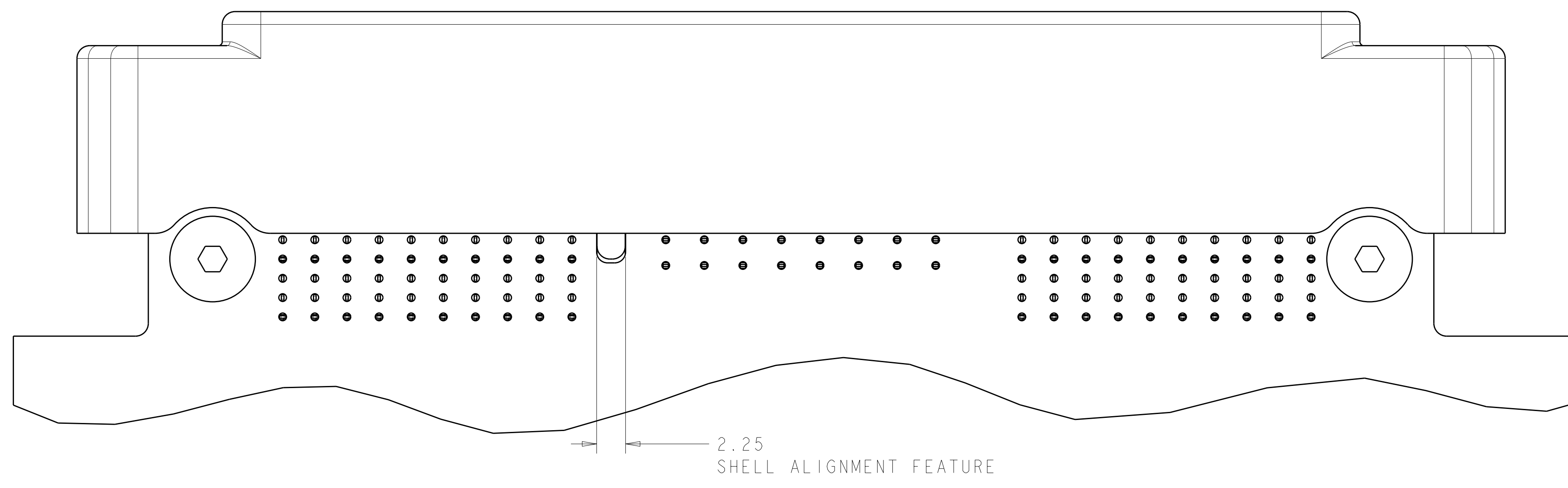
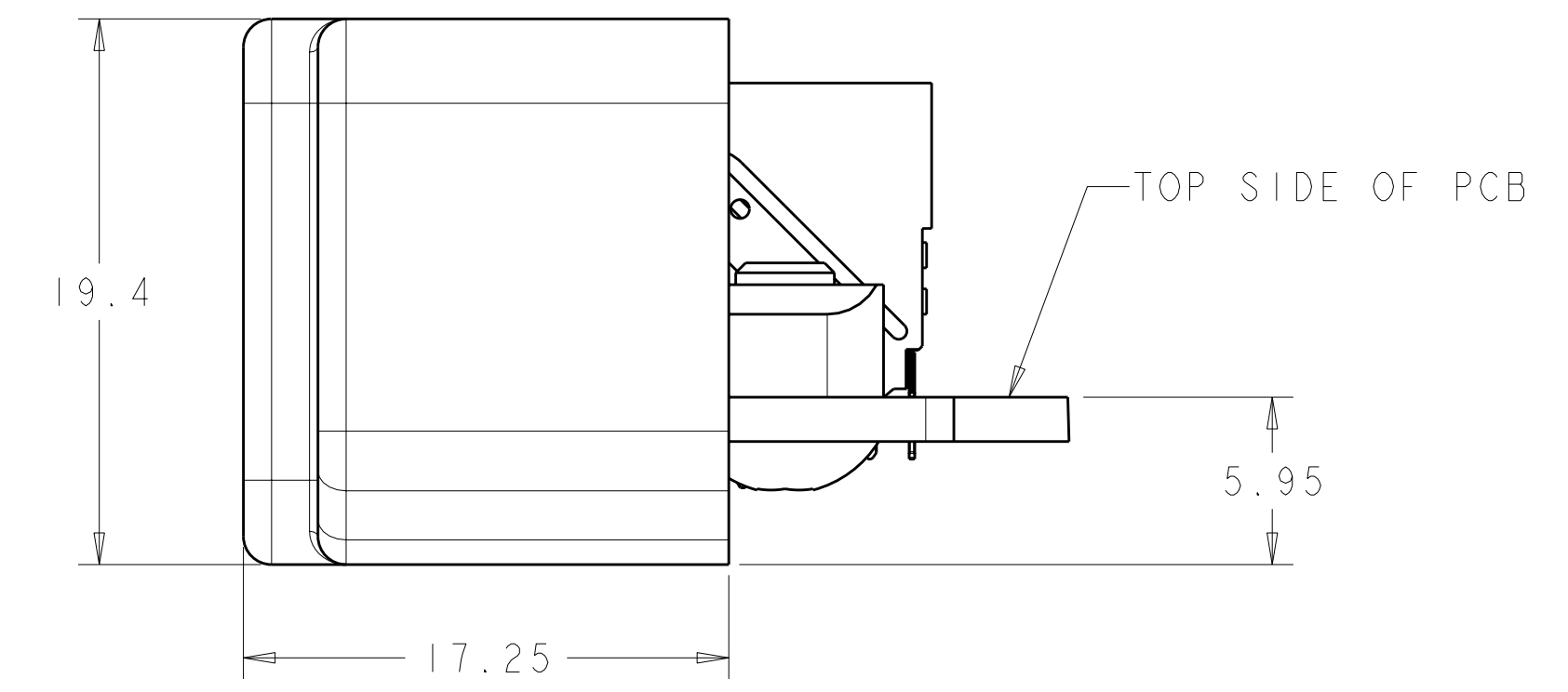
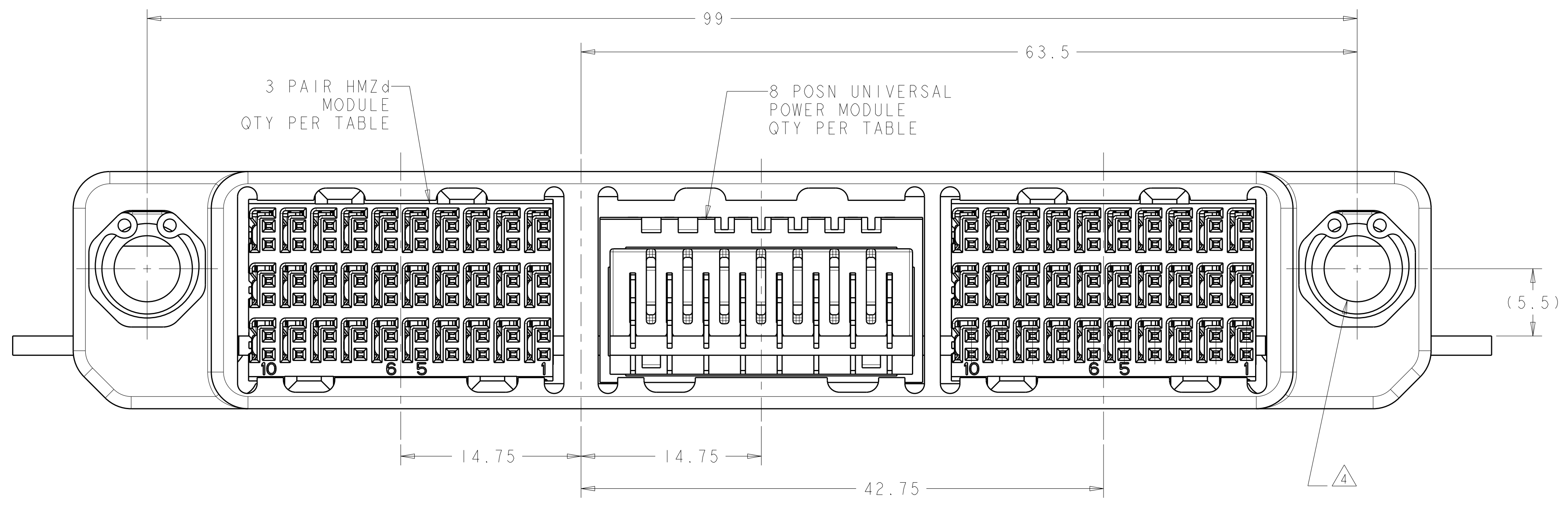


LOC		DIST		REVISIONS			
P	LTB	DESCRIPTION	DATE	DWN	APVD	CT	DH
E		REV PER ECO 11-020857	10-18-11	CT	DH		



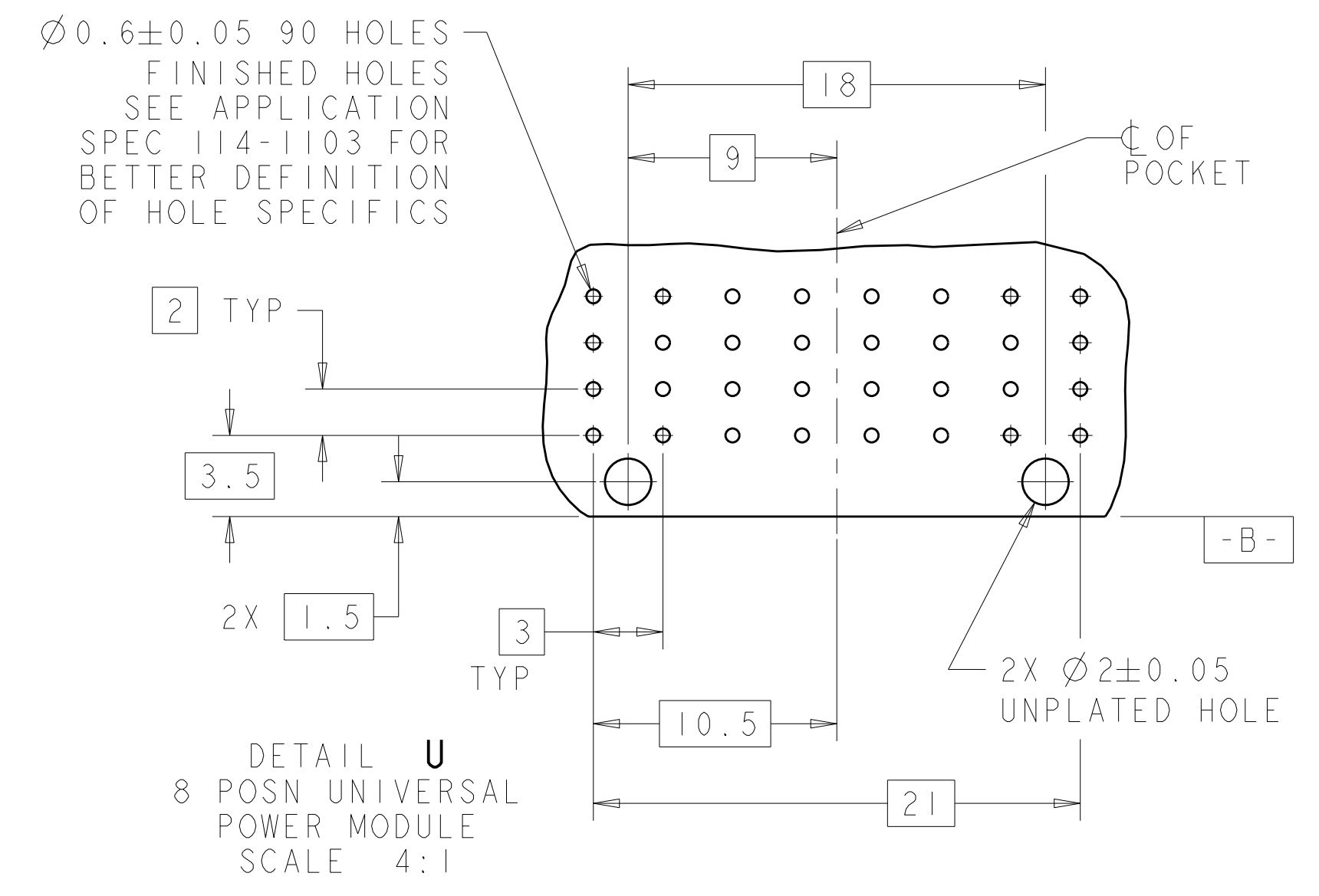
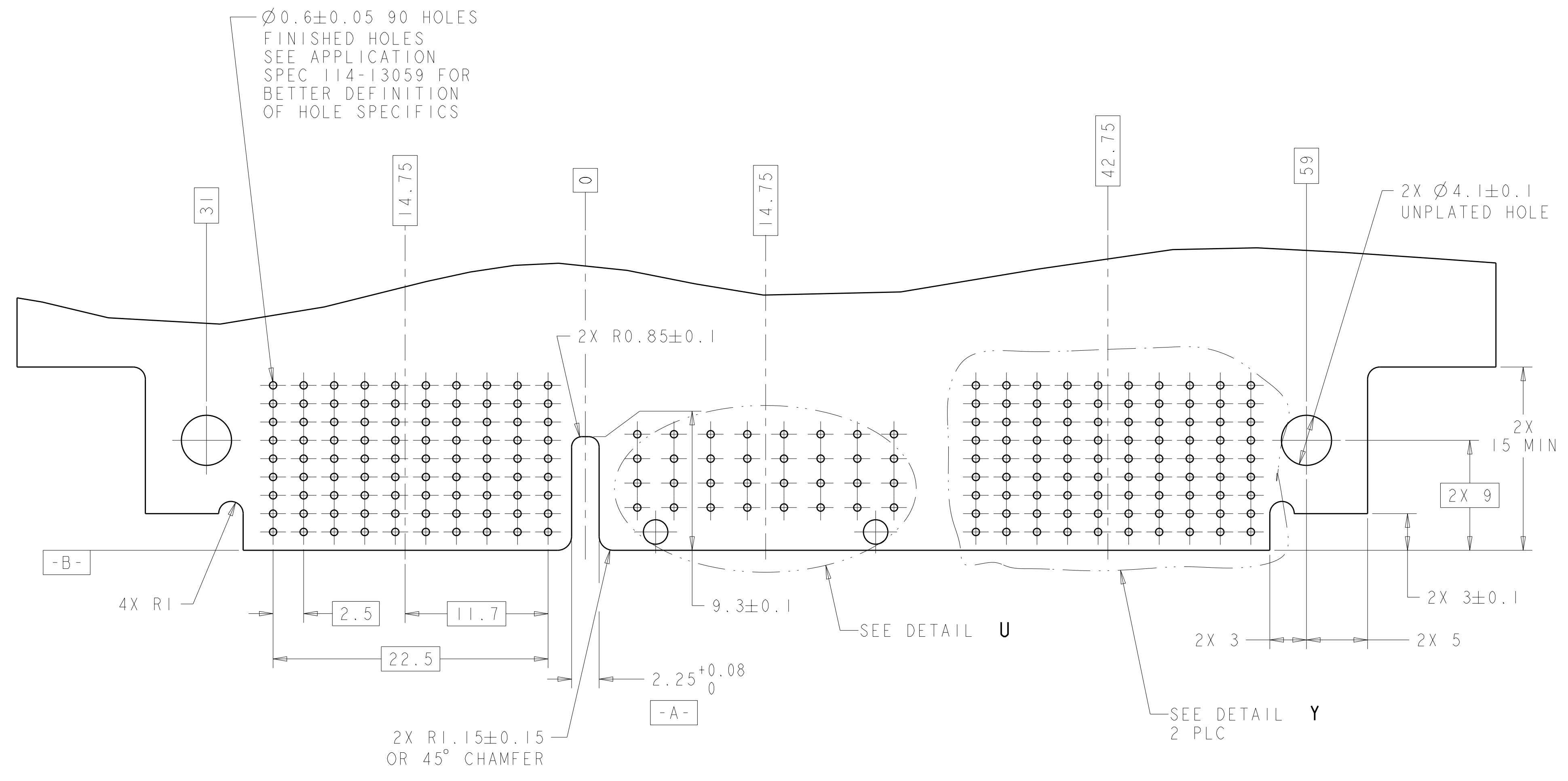
- MATING CONNECTOR FOR THIS CONNECTOR IS 2000980.
- MATERIAL - SHELL: ALUMINUM
 HOUSING: GLASS FILLED POLYESTER, UL94V0
 RETAINING RING: STAINLESS STEEL
 KEYING GUIDE SOCKET: STAINLESS STEEL
- PLATING - CONTACT MATING AREA:
 1.27µm MIN GOLD OVER 1.27µm MIN NICKEL
 CONTACT PCB AREA: 0.5µm MIN BRIGHT
 TIN-LEAD OVER 1.27µm MIN NICKEL
 SHELL: ELECTROLESS NICKEL
- KEYING GUIDE SOCKET AND RETAINING RING
 PACKAGED FOR ASSEMBLY BY CUSTOMER.



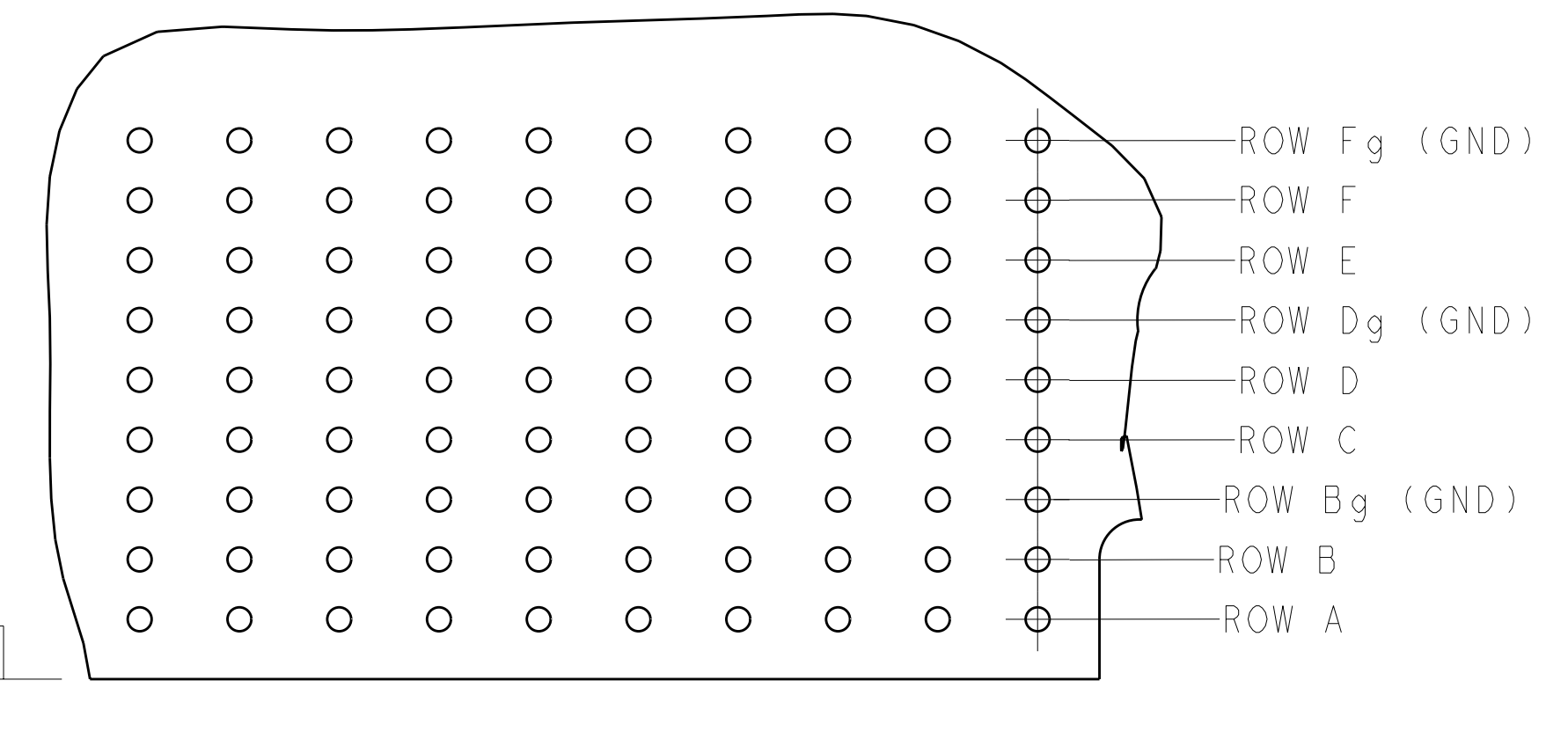
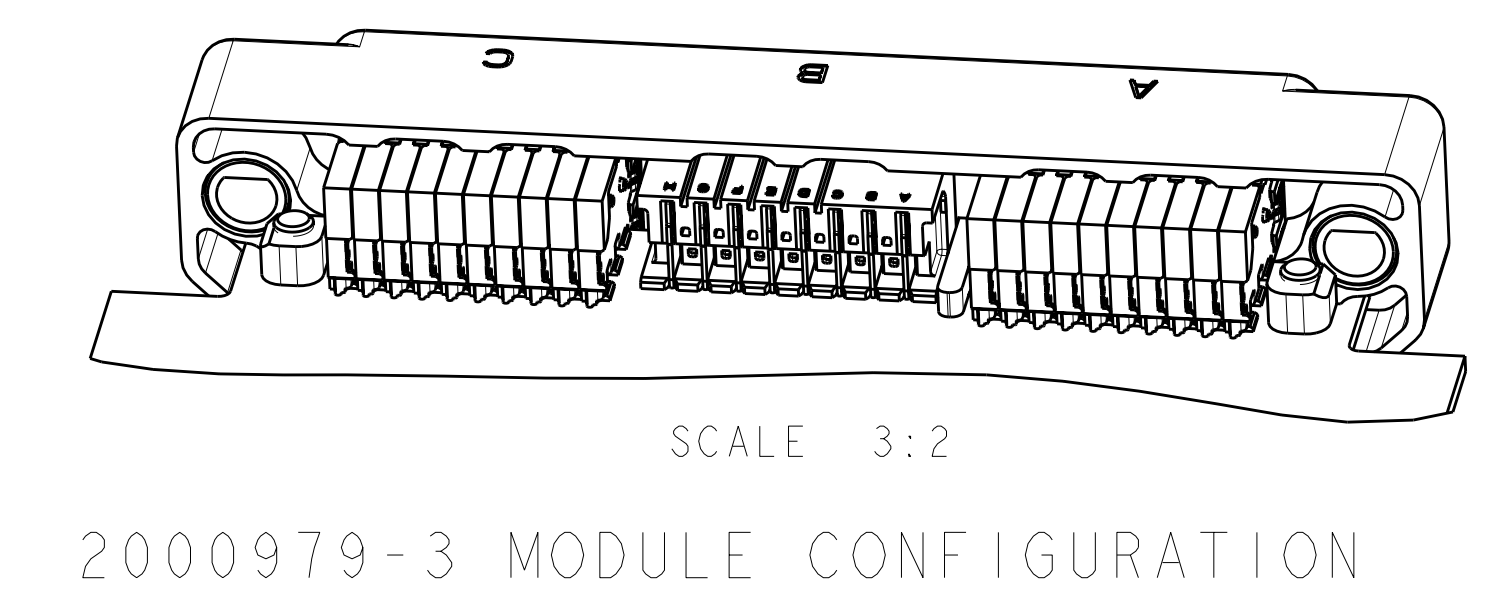
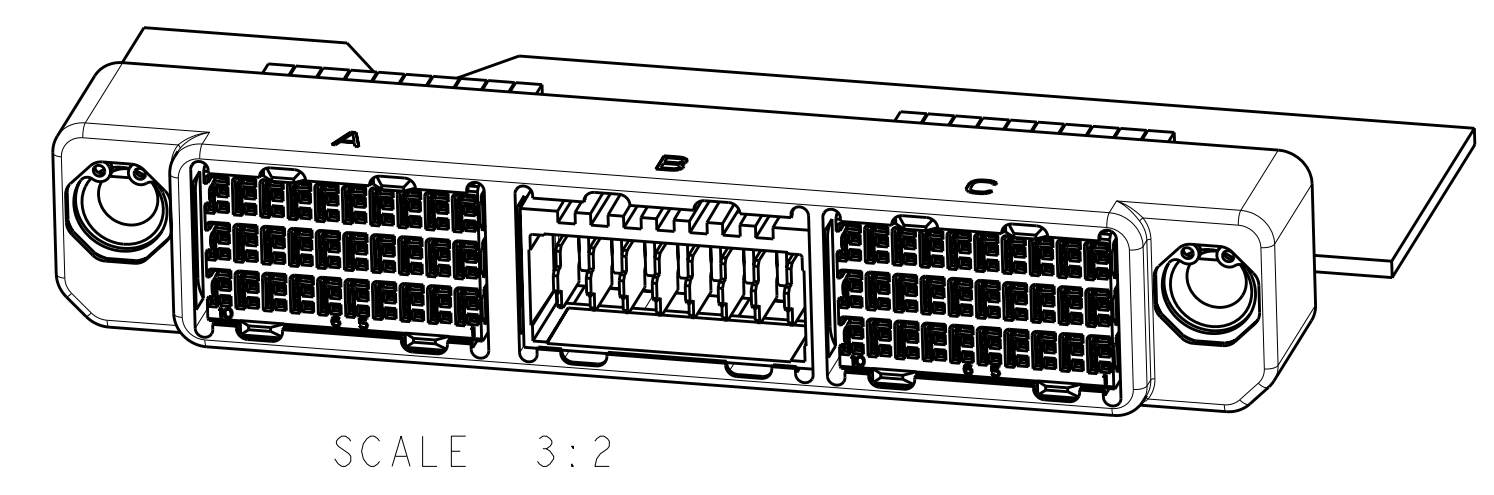
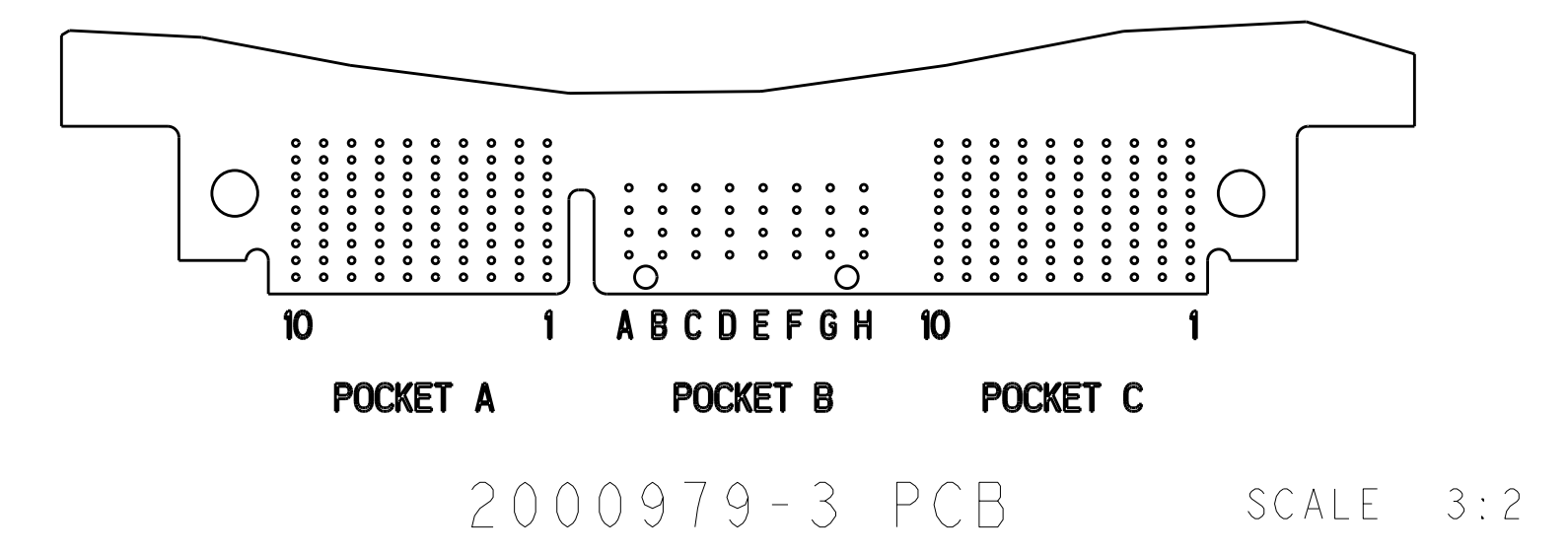
NOT RELEASED	1	-	2	2000979-3
	-	-	3	2000979-1
	8 POSN UPM	7 POSN RF COAX	3 PAIR HMZd	PART NUMBER
	MODULE QTY. PER ASSY			NUMBER

THIS DRAWING IS A CONTROLLED DOCUMENT.		DWN: 13JAN2010 Brent D. Toth	STE TE Connectivity	
DIMENSIONS: mm		CHK: 13JAN2010 CHONG YI		
TOLERANCES UNLESS OTHERWISE SPECIFIED:		APVD: 13JAN2010 M. R. McALONIS	NAME: DAUGHTER CARD CONNECTOR HIGH SPEED RUGGEDIZED (HSR) 3 BAY, UNSEALED, RIGHT ANGLE	
9 PLC ±		PRODUCT SPEC: 108-2381	SIZE: CAGE CODE DRAWING NO. RESTRICTED TO	
3 PLC ±		APPLICATION SPEC:	A100779C=2000979	
5 PLC ±		WEIGHT: -	SCALE: 4:1 SHEET 1 OF 3 REV E	
4 PLC ±		CUSTOMER DRAWING		
ANGLES ±				
FINISH: -				

LOC	DIST	REV	DATE	BY	APPD
-	-	1	-	-	-
REVISIONS			DESCRIPTION	DATE	BY
-			SEE SHEET 1	-	-



RECOMMENDED PRINTED CIRCUIT BOARD HOLE LAYOUT
AS VIEWED FROM TOP (CONNECTOR SIDE) OF PCB
2000979-3
SCALE 4:1



DETAIL Y
 SCALE 6:1

THIS DRAWING IS A CONTROLLED DOCUMENT.		OWN: Brent D. Toth CHK: CHONG YI APPD: M. R. McALONIS	13JAN2010 13JAN2010 13JAN2010	TE Connectivity	
DIMENSIONS:	TOLERANCES UNLESS OTHERWISE SPECIFIED:	PRODUCT SPEC 108-2381 APPLICATION SPEC		NAME: DAUGHTER CARD CONNECTOR HIGH SPEED RUGGEDIZED (HSR) 3 BAY, UNSEALED, RIGHT ANGLE	
mm	9 PLC ± 3 PLC ± 5 PLC ± 4 PLC ± ANGLES ± FINISH ±	WEIGHT: - CUSTOMER DRAWING		SIZE: A100779 CAGE CODE: C=2000979	RESTRICTED TO: - SCALE: 4:1 SHEET 2 OF 3 REV E