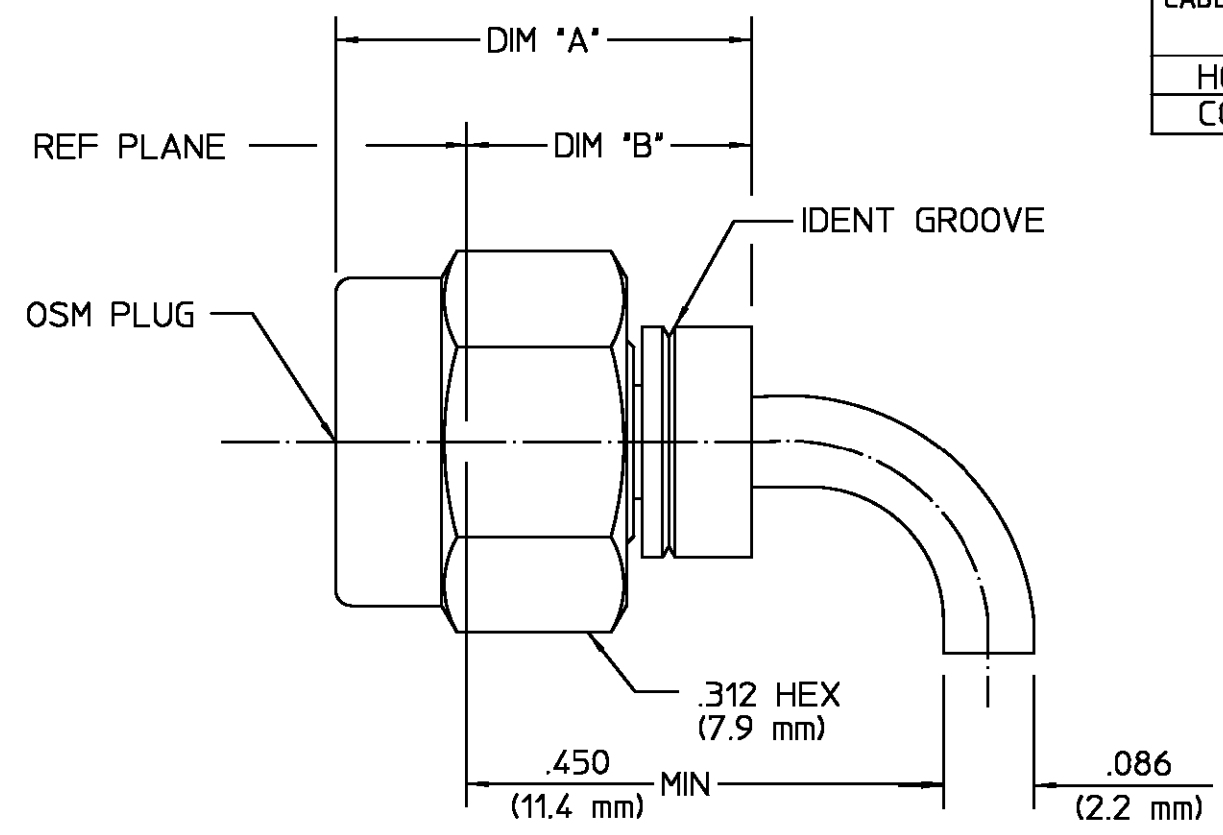


DESIGNED FOR USE WITH .085 SEMI-RIGID CABLE	
CABLE ENTRY DIAMETER MINIMUM	
HOUSING	.088
CONTACT	.021

REVISIONS			
REV	DESCRIPTION	DATE	APPROVED
04 ₀	REVISED	11/22/94	<i>AD</i>



BEFORE CRIMPING	.465 REF (11.8 mm)	.348 REF (8.8 mm)
AFTER CRIMPING	.393 REF (10.0 mm)	.278 REF (7.1 mm)
	DIM "A"	DIM "B"

HOUSING COUPLING NUT BUSHING	STAINLESS STEEL PER ASTM-A484 AND ASTM- A582, TYPE 303	PASSIVATE PER QQ-P-35
DIELECTRIC	PTFE FLUOROCARBON PER ASTM-D-1457	N/A
CENTER CONTACT	BERYLLIUM COPPER PER ASTM-B-196 OR ASTM-B- 197, ALLOY C17300, CONDITION H	GOLD PLATE PER MIL-G-45204
GASKET	SILICONE RUBBER PER ZZ-R-765	N/A
COMPONENT	MATERIAL	FINISH

- NOTES:
1. CAPTURED CENTER CONTACT
 2. PICTORIAL VIEW IS AFTER CRIMPING
 3. MIN STRAIGHT CABLE LENGTH: .175
 4. IT IS SUGGESTED TO BEND CABLE PRIOR TO CRIMPING

UNLESS OTHERWISE SPECIFIED DIMENSIONS ARE IN INCHES	DRAWN BY D.CAM	DATE 9/17/84	AMP AMP Incorporated 140 Fourth Avenue Waltham, MA 02451-7599
	CHECKED BY R.HALEY	9/18/84	
	APP'D BY PFH	9/18/84	
These drawings and specifications are the property of M/A COM Interconnect Div. and shall not be reproduced or copied or used in whole or in part as the basis for the manufacture or sale of item(s) without written permission.	USE ASSY PROCEDURE	TITLE OSM STRAIGHT CABLE PLUG COMPRESSION CRIMP ATTACHMENT	
	NO. A.P. 408-04695 (20-286)	SIZE B	CODE IDENT NO. 26805
		SCALE 6:1	2001-5385-02
		REV 04 ₀	SHEET 1 OF 1