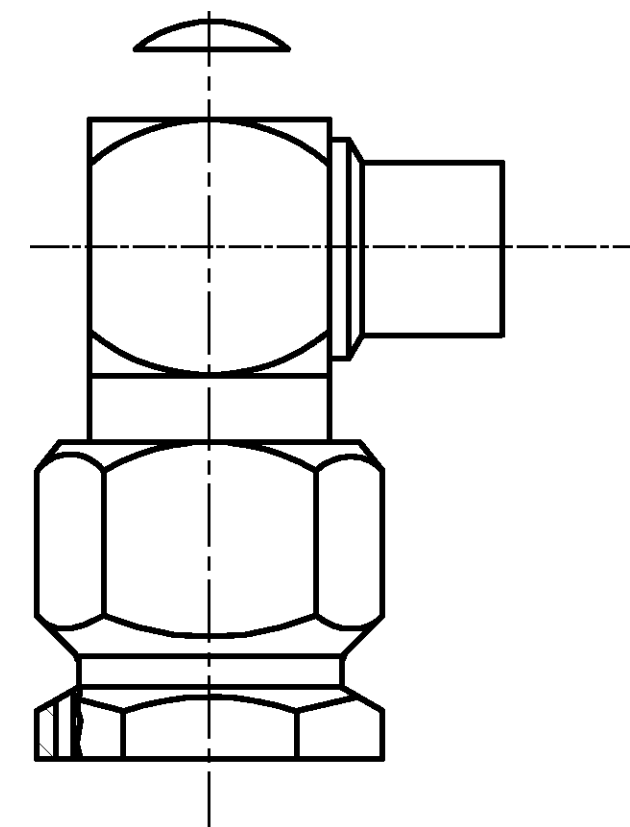


THIS DRAWING IS UNPUBLISHED. RELEASED FOR PUBLICATION N/A, N/A
 © COPYRIGHT N/A BY TYCO ELECTRONICS CORPORATION. ALL RIGHTS RESERVED.

LOC		DIST		REVISIONS			
P	LTR	DESCRIPTION	DATE	DWN	APVD		
DF	X0	O	RELEASED	11-02	JMK	JL	

COMPONENT	MATERIAL	FINISH
COUPLING NUT	STAINLESS STEEL PER ASTM-A-484 OR ASTM-A-582 TYPE 303	PASSIVATED PER ASTM-A-380
DIELECTRIC	PTFE FLUOROCARBON PER ASTM-D-1457	-
CENTER CONTACT	BERYLLIUM COPPER PER ASTM-B-194 ALLOY C17200, CONDITION H	GOLD PLATED PER ASTM-B-488
HOUSING CAP	STAINLESS STEEL PER ASTM-A-484 OR ASTM-A-582 TYPE 303	GOLD PLATED PER ASTM-B-488
GASKET	SILICONE RUBBER PER ZZ-R-765	-
RETAINING RING	BERYLLIUM COPPER PER ASTM-B-194 ALLOY C17200, CONDITION H	-



AS SHIPPED TO CUSTOMER

ENVIRONMENTAL

TEMPERATURE RATING: -65°C TO +165°C
 VIBRATION: MIL-STD-202, METHOD 204, CONDITION D
 SHOCK: MIL-STD-202, METHOD 213, CONDITION 1
 MOISTURE RESISTANCE: MIL-STD-202, METHOD 106
 CORROSION: MIL-STD-202, METHOD 101, CONDITION B. 5% SALT SPRAY
 THERMAL SHOCK: MIL-STD-202, METHOD 107, CONDITION B EXCEPT HIGH TEMP 115°C

MECHANICAL

INTERFACE DIMENSIONS: MIL-STD-348A FIG. 310.1
 RECOMMENDED MATING TORQUE: 7-10 IN-LBS
 FORCE TO ENGAGE & DISENGAGE (IN-LBS MAX): 2.0
 WEIGHT (GRAMS): TBD

MATING CHARACTERISTICS:

INSERTION (MAX LBS)	N/A
WITHDRAWAL (MIN OZ)	N/A

CABLE RETENTION:

AXIAL FORCE (LBS)	60 MIN
TORQUE (IN-OZ)	55.0

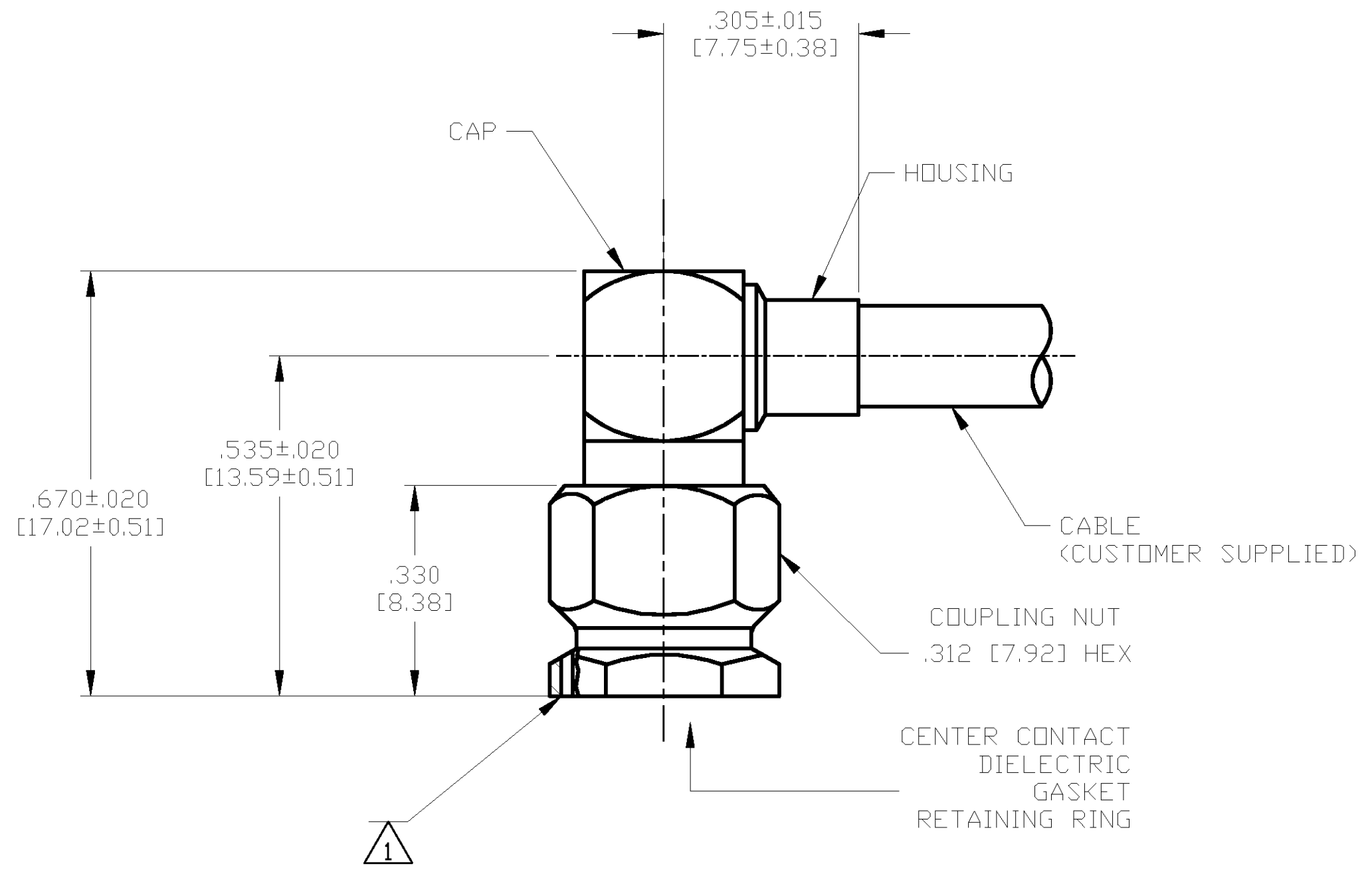
CENTER CONTACT CAPTIVATION:

AXIAL (LBS)	6.0
RADIAL (IN-OZ)	N/A

ELECTRICAL

NORMAL IMPEDANCE (OHMS): 50
 FREQUENCY RANGE (GHz): DC TO 12.4
 VOLT RATING @ SEA LEVEL (VRMS MAX): 500
 VSWR: 1.10+0.01f(GHz)
 INSERTION LOSS: (dB MAX): .05 √f(GHz)
 RF LEAKAGE (dB MIN): -90 @ 2-3 GHz
 CORONA 70,000 FT (VRMS MIN): 375
 DIELECTRIC WITHSTANDING VOLTAGE (VRMS MIN) AT SEA LEVEL: 1500
 I.R. (MEGOHMS MIN): 5,000
 RF HIGH POTENTIAL AT SEA LEVEL (VRMS MIN @ 5 MHz): 1000
 CONTACT RESISTANCE (MILLIOHMS MAX):

CENTER CONTACT:	4.0
OUTER CONTACT:	2.0
CABLE TO HOUSING:	0.5



ASSEMBLED VIEW

1 ∅.018 [0.46] LOCKWIRE HOLE, 3 PLACES EQUALLY SPACED.

DESIGNED TO USE RG-402/U OR EQUIVALENT CABLE ENTRY DIAMETER MIN	HOUSING: .145 [3.68]
	CONTACT: .037 [0.94]

THIS DRAWING IS A CONTROLLED DOCUMENT.		DWN J. KAISER 10/07/02	Tyco Electronics Corporation Harrisburg, PA 17105										
DIMENSIONS: INCHES [mm]		CHK J. LIPPERT 11-20-02											
TOLERANCES UNLESS OTHERWISE SPECIFIED:		APVD J. LIPPERT 11-20-02	NAME SMA RIGHT ANGLE CABLE PLUG-DIRECT SOLDER ATTACHMENT (M39012/80-3008) CAT E										
<table border="1"> <tr> <td>0 PLC</td> <td>± -</td> </tr> <tr> <td>1 PLC</td> <td>± -</td> </tr> <tr> <td>2 PLC</td> <td>± -</td> </tr> <tr> <td>3 PLC</td> <td>± .005 [0.13]</td> </tr> <tr> <td>4 PLC</td> <td>± -</td> </tr> </table>		0 PLC	± -	1 PLC	± -	2 PLC	± -	3 PLC	± .005 [0.13]	4 PLC	± -	PRODUCT SPEC	SIZE A2
0 PLC	± -												
1 PLC	± -												
2 PLC	± -												
3 PLC	± .005 [0.13]												
4 PLC	± -												
MATERIAL SEE TABLE		FINISH SEE TABLE	CAGE CODE 00779										
		WEIGHT TBD	DRAWING NO 1051170										
		CUSTOMER DRAWING	RESTRICTED TO -										
		SCALE 5:1	SHEET 1 OF 1										
			REV 0										