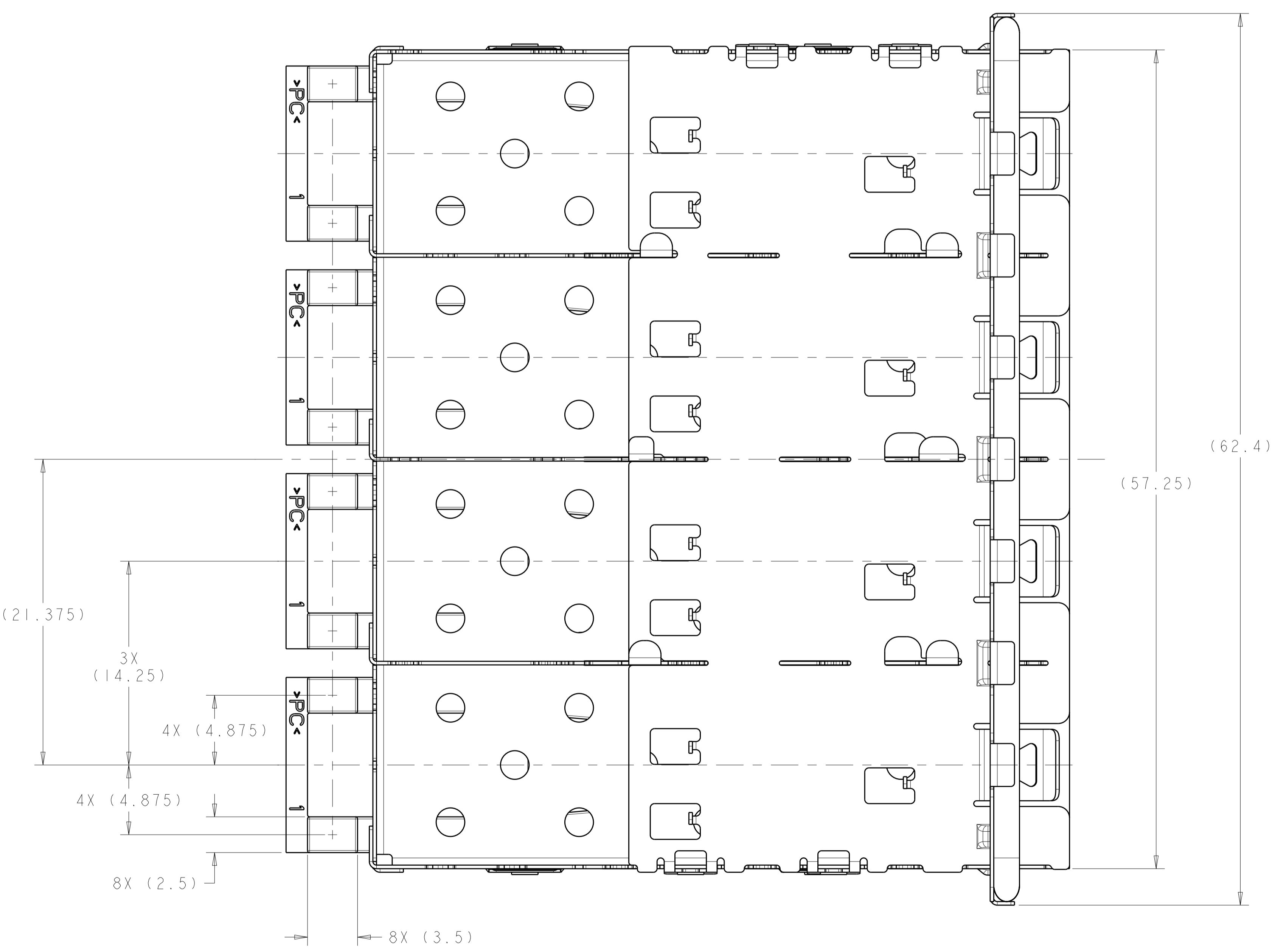
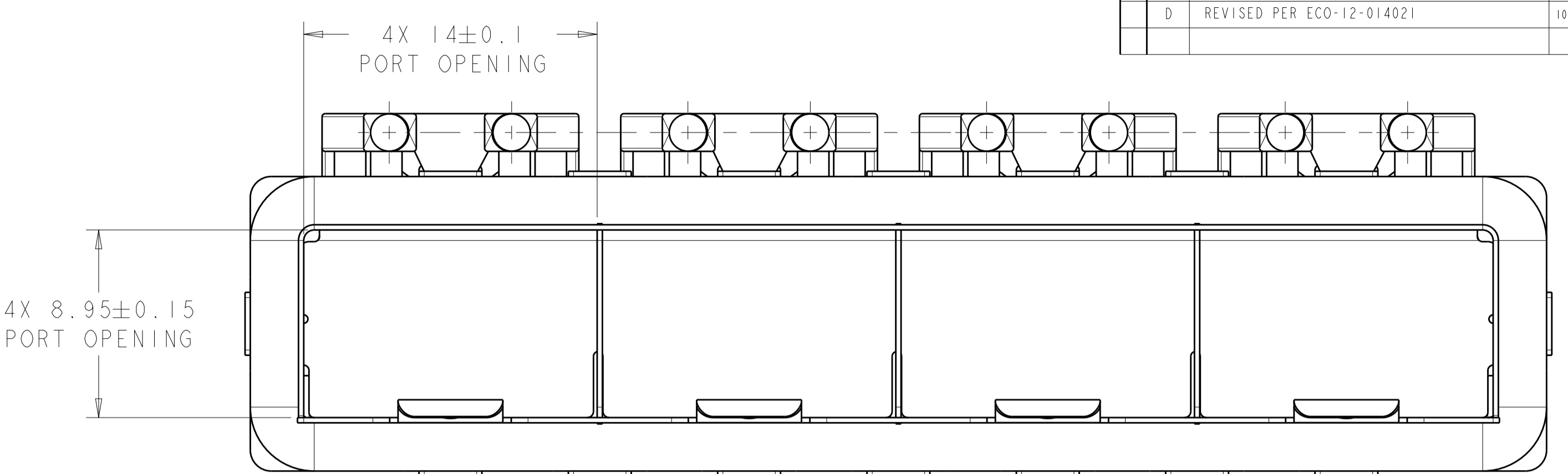
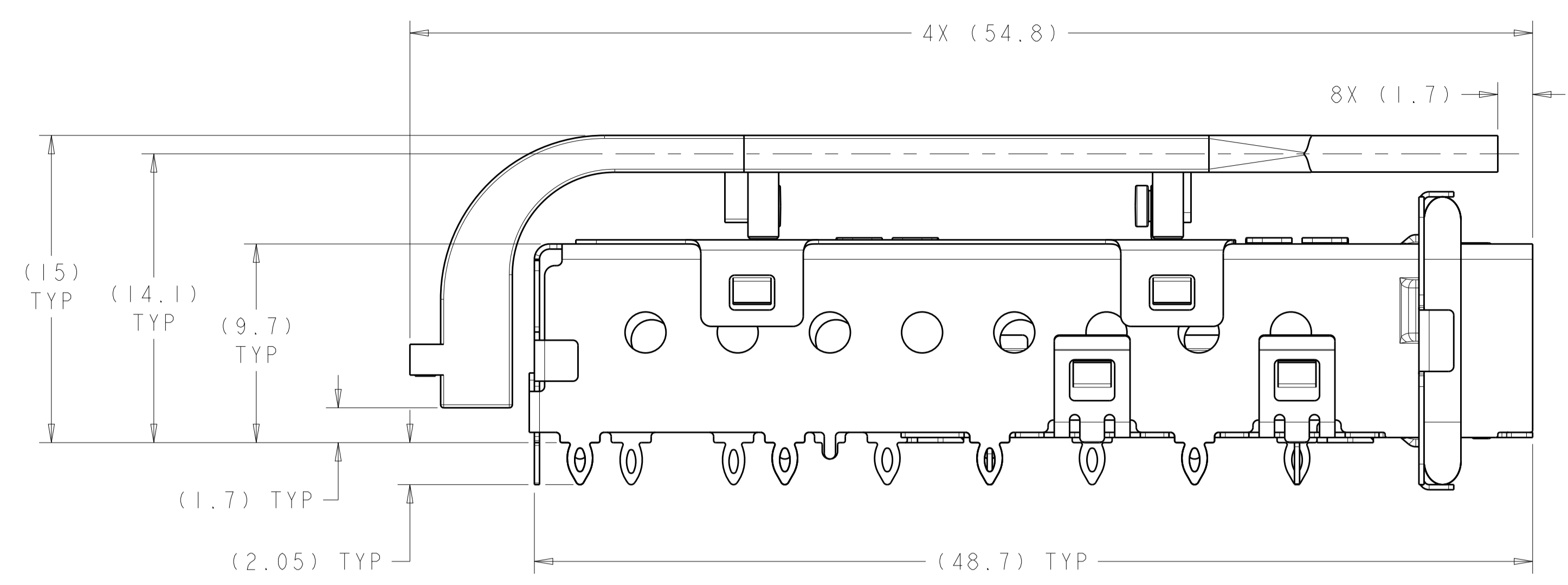
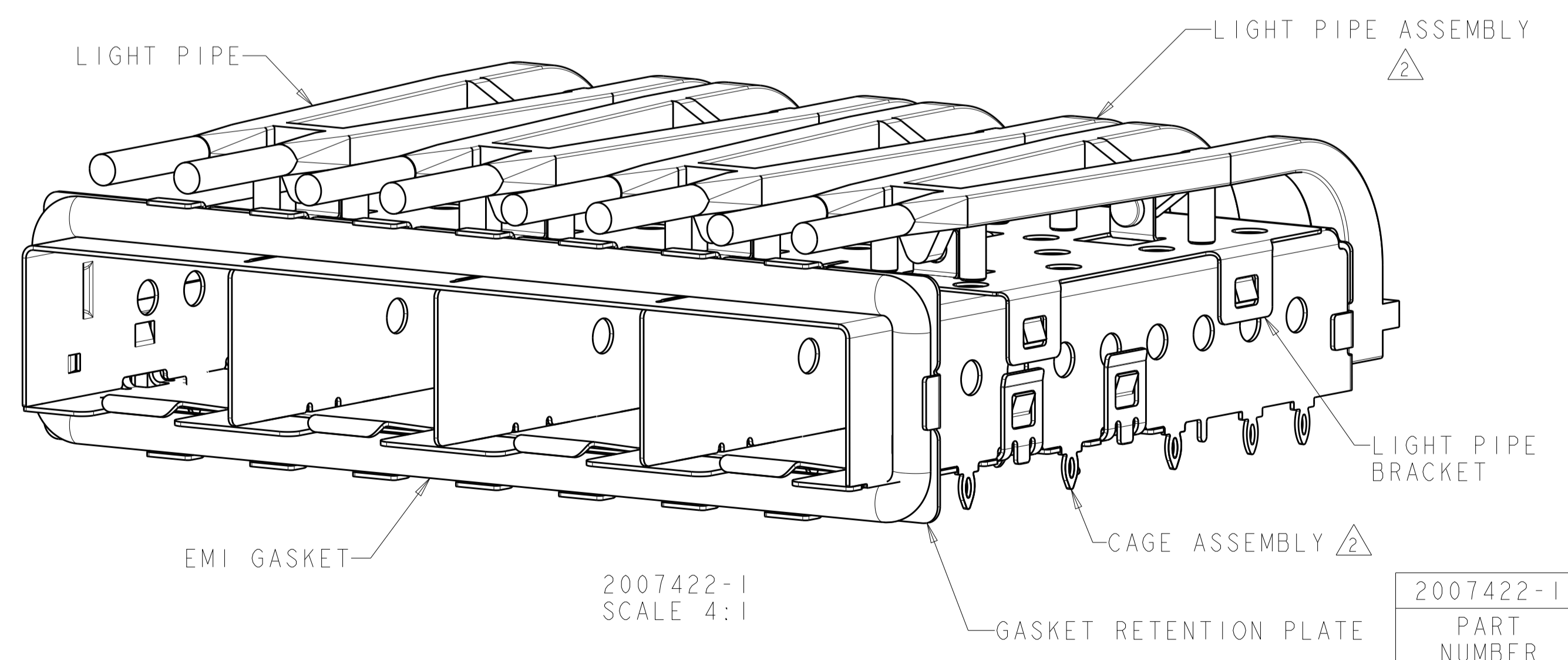


LOC	DIST	REVISIONS					
GP	00	P.	LTN	DESCRIPTION	DATE	DWN	APVD
		B		REVISED PER ECO-09-022874	9OCT2009	ZMR	MRS
		C		REVISED PER ECO-10-004036	01MAR2010	CJV	MRS
		D		REVISED PER ECO-12-014021	10DEC2012	TD	AC



- 1 MATERIAL:
 CAGE ASSEMBLY: 0.25 THICK NICKEL SILVER ALLOY
 GASKET RETENTION PLATE: STAINLESS STEEL
 GASKET: PLATED FILLED SILICONE
 LIGHT PIPE BRACKET: STAINLESS STEEL
 LIGHT PIPE: POLYCARBONATE, CLEAR
- 2 2007135-1, CAGE ASSEMBLY, AND 2007099-1, LIGHT PIPE ASSEMBLY ARE PACKAGED TOGETHER AS A COMPLETED ASSEMBLY.
- 3 PADS AND VIAS CHASSIS GROUND.
- 4 DATUM AND BASIC DIMENSION ESTABLISHED BY CUSTOMER.
- 5. MATES WITH SFP MSA COMPLIANT TRANSCEIVERS.
- 6. INTERPRETATION OF DATUM REFERENCE FRAME IN ACCORDANCE WITH SECT 4.4.1.1 OF ASME Y14.5M-1994.
- 7 REFERENCE APPLICATION SPEC. 114-13120, HOLE A, FOR RECOMMENDED DRILL HOLE DIAMETER AND PLATING THICKNESS.
- 8 REFERENCE APPLICATION SPEC. 114-13120, HOLE B, FOR RECOMMENDED DRILL HOLE DIAMETER AND PLATING THICKNESS.
- 9 HOLE PATTERN REPEATS FOR EACH PORT. SPACING BETWEEN PORTS IS 14.25mm.
- 10 MINIMUM PC BOARD THICKNESS = 1.50mm.
- 11. PRODUCT COMPLIES WITH SPECIFICATION SFF-8433 IMPROVED PLUGGABLE FORM FACTOR FOR SFP+ GANGED CAGES.



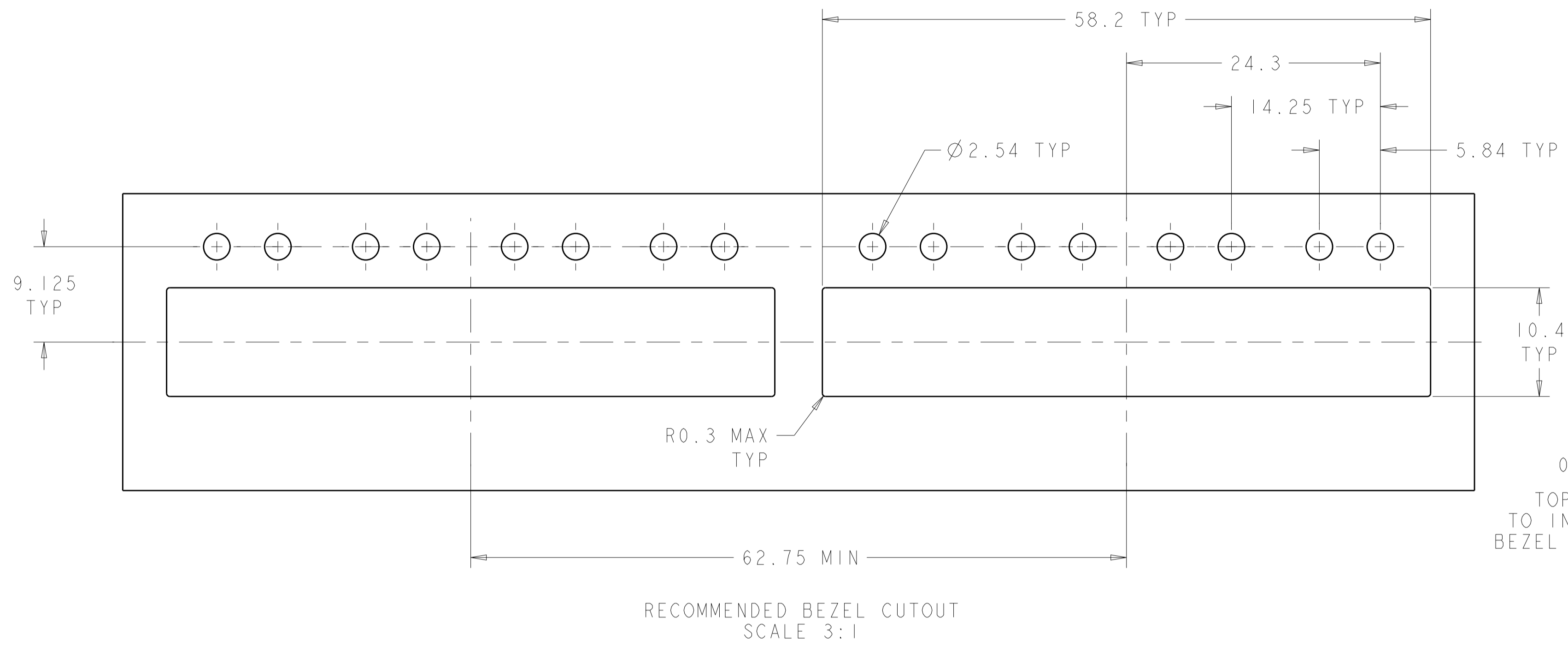
2007422-1
SCALE 4:1

2007422-1
PART NUMBER

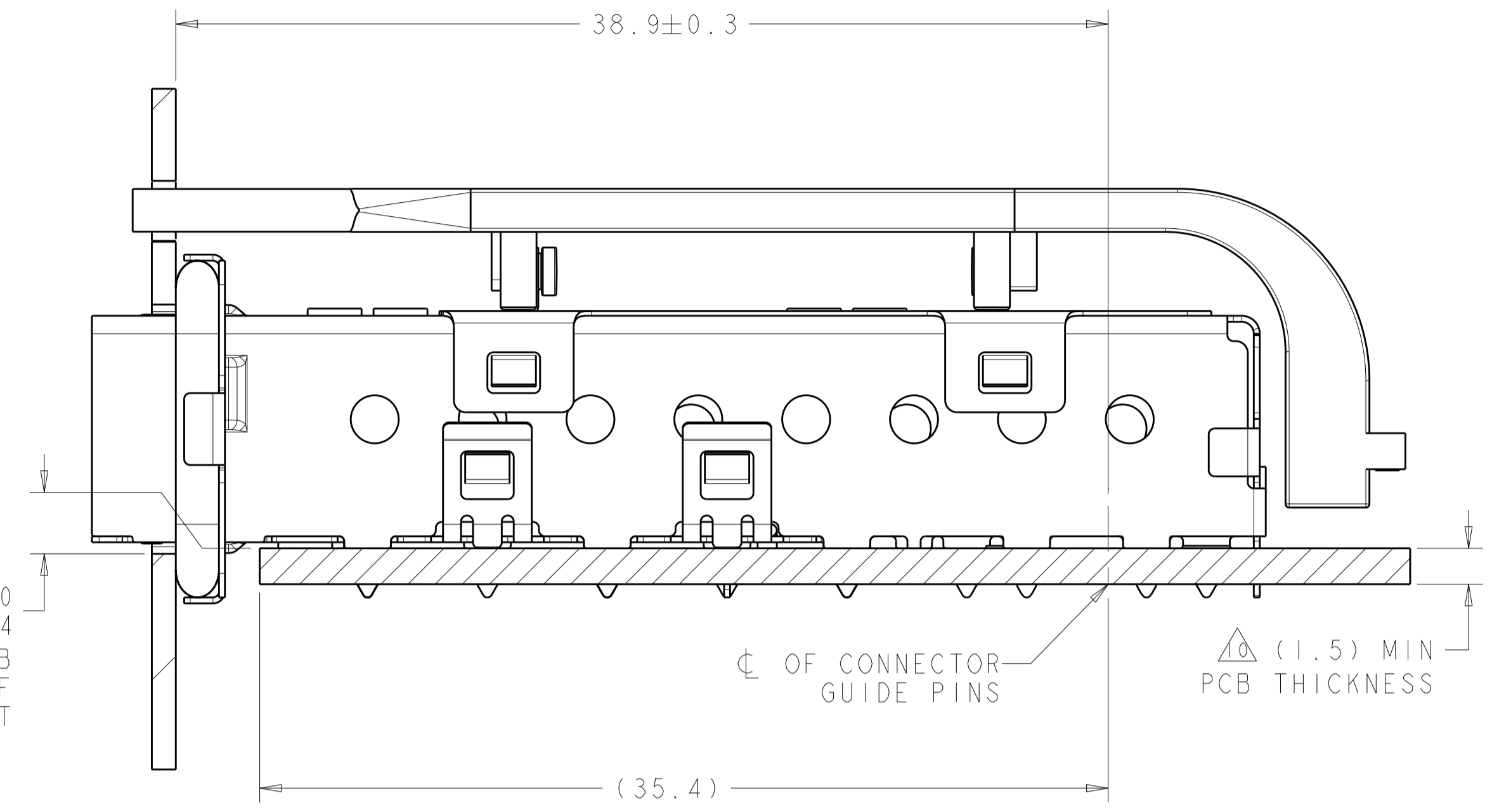
THIS DRAWING IS A CONTROLLED DOCUMENT.		DWN Z. M. BEAM 6NOV2007	TE Connectivity
DIMENSIONS: mm		CHK M. R. SCHMITT 6NOV2007	
TOLERANCES UNLESS OTHERWISE SPECIFIED:		APVD R. H. WERTZ 6NOV2007	NAME SFP+ 1X4 CAGE ASSEMBLY PRESS FIT, EMI GASKET WITH LIGHT PIPES
0 PLC	±0.1	PRODUCT SPEC	SIZE A1
1 PLC	±0.5	108-2364	CAGE CODE 00779
2 PLC	±0.5	APPLICATION SPEC	DRAWING NO 2007422
3 PLC	±0.5	114-13120	RESTRICTED TO
4 PLC	±0.5	WEIGHT	Customer Drawing
ANGLES	±1°	SCALE	1:1
MATERIAL	FINISH	SHEET	1 OF 3
		REV	D

LOC	DIST	REV	DATE	BY	APPV
GP	00				

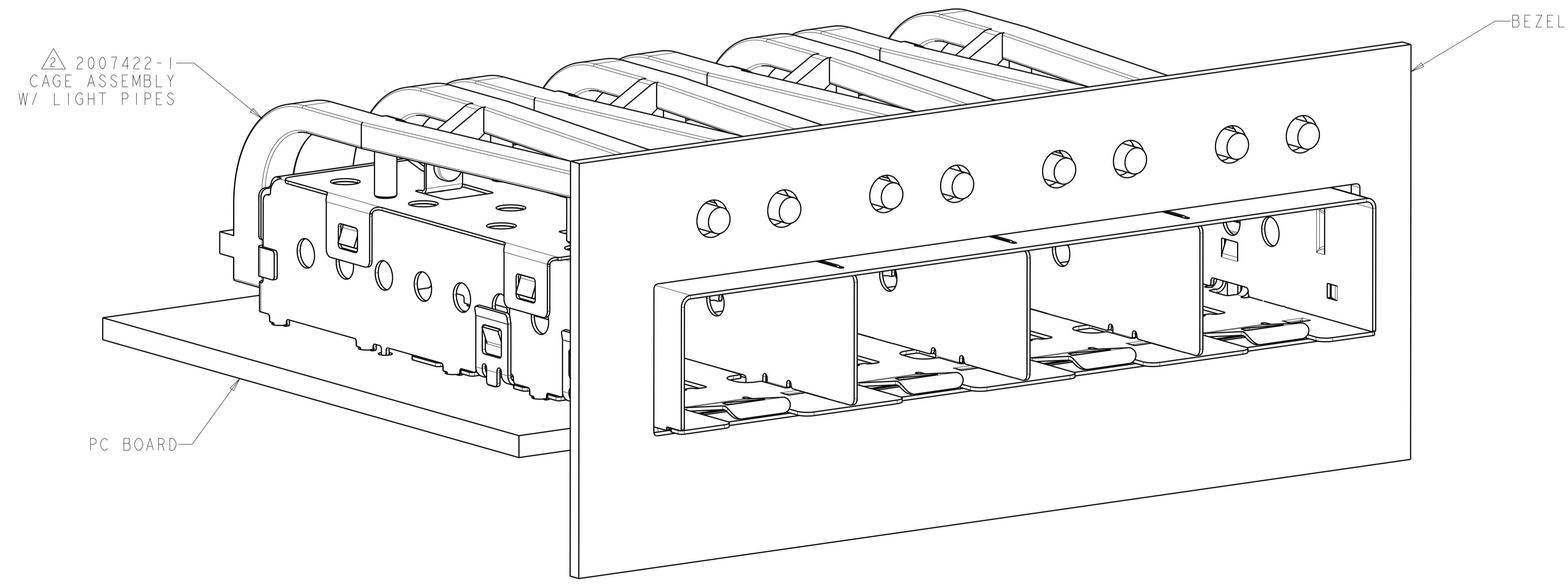
REVISIONS					
REV	DATE	BY	APPV	DESCRIPTION	
-	-	-	-	SEE SHEET 1	



0.23^{+0.10}_{-0.14}
 TOP OF PCB
 TO INSIDE OF
 BEZEL CUT-OUT



2007422-1
 MOUNTED ON PC BOARD
 SHOWN THRU RECOMMENDED BEZEL
 SECTION



2007422-1
 MOUNTED ON PC BOARD
 SHOWN THRU RECOMMENDED BEZEL

THIS DRAWING IS A CONTROLLED DOCUMENT.		OWN: Z.M.BEAM 6NOV2007	TE Connectivity
DIMENSIONS: mm		CHK: M.R.SCHMITT 6NOV2007	
TOLERANCES UNLESS OTHERWISE SPECIFIED:		APPV: R.H.WERTZ 6NOV2007	
0 PLC ±0.1 1 PLC ±0.5 2 PLC ±0.5 3 PLC ±0.5 4 PLC ±0.5 ANGLES ±1°		NAME: SFP+ 1X4 CAGE ASSEMBLY PRESS FIT, EMI GASKET WITH LIGHT PIPES PRODUCT SPEC: 108-2364 APPLICATION SPEC: 114-13120 WEIGHT: - CUSTOMER DRAWING: -	
MATERIAL: -		SIZE: A100779	RESTRICTED TO: -
FINISH: -		SCALE: 5:1	SHEET: 2 OF 3
		REV: D	