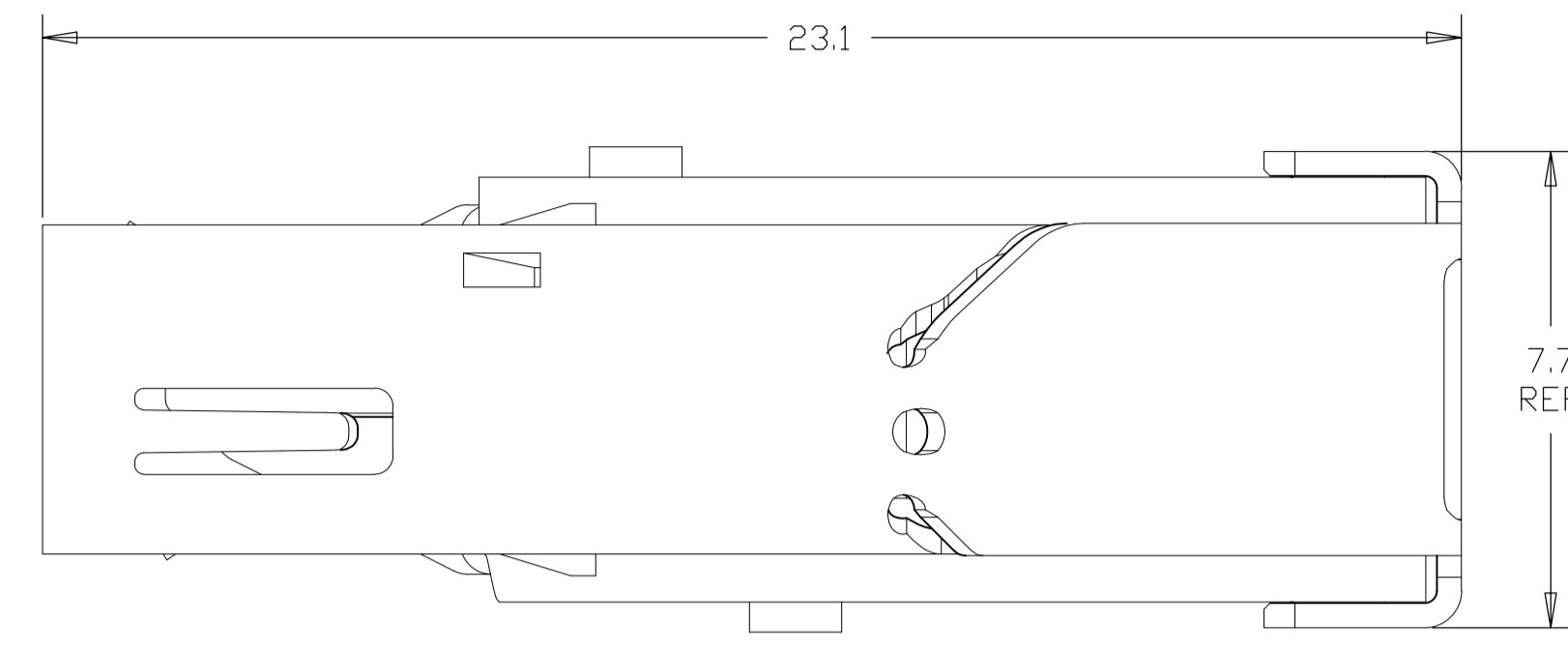
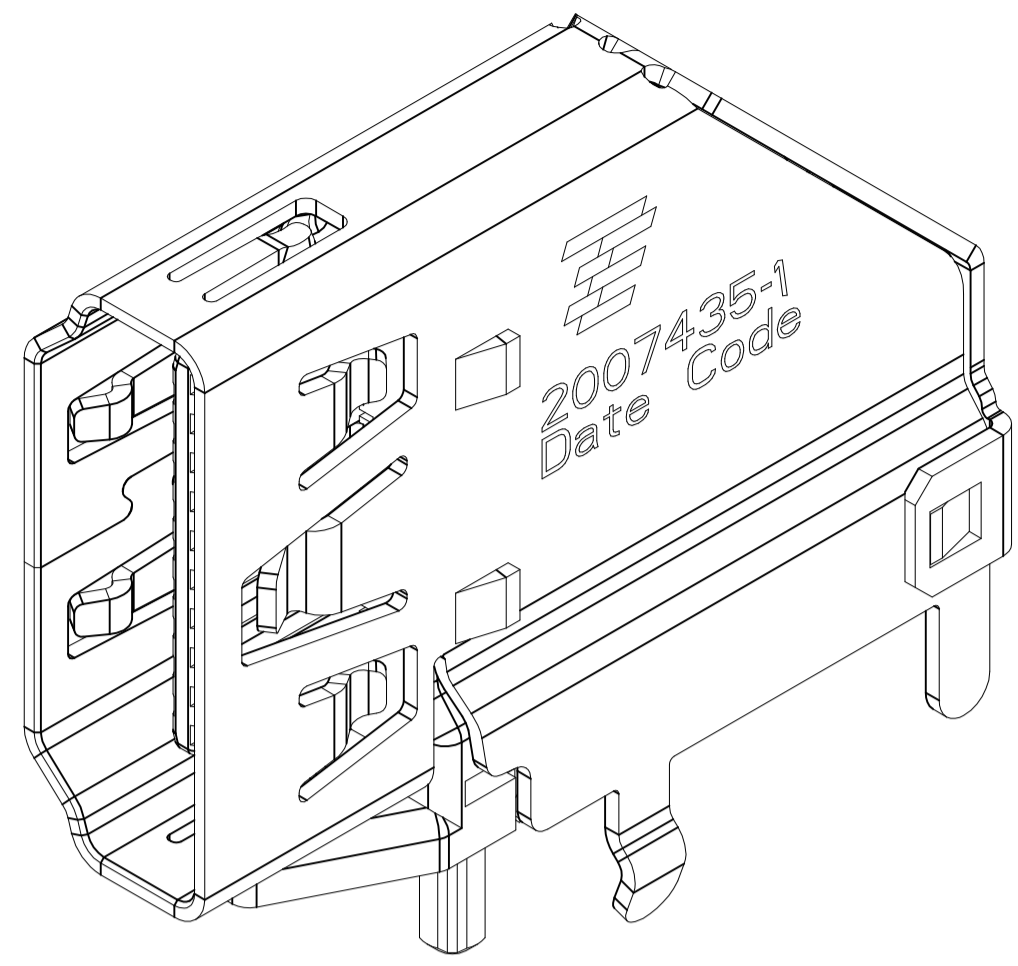
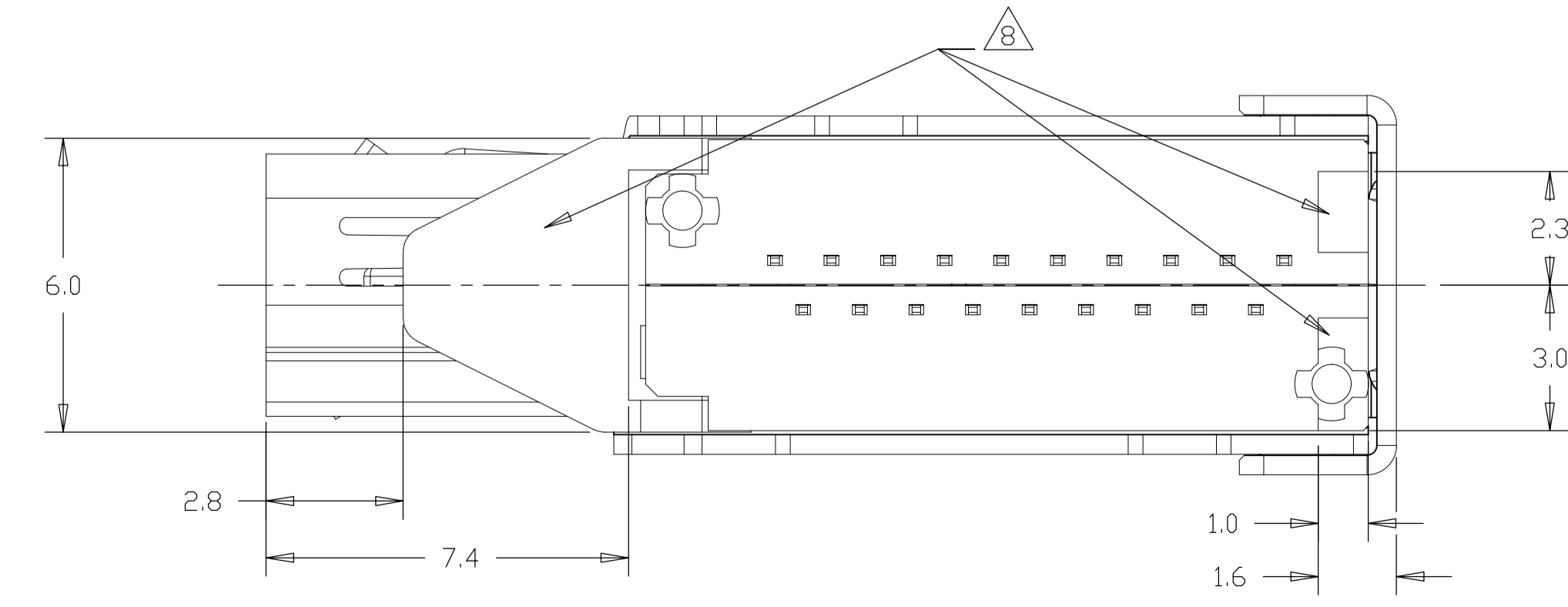
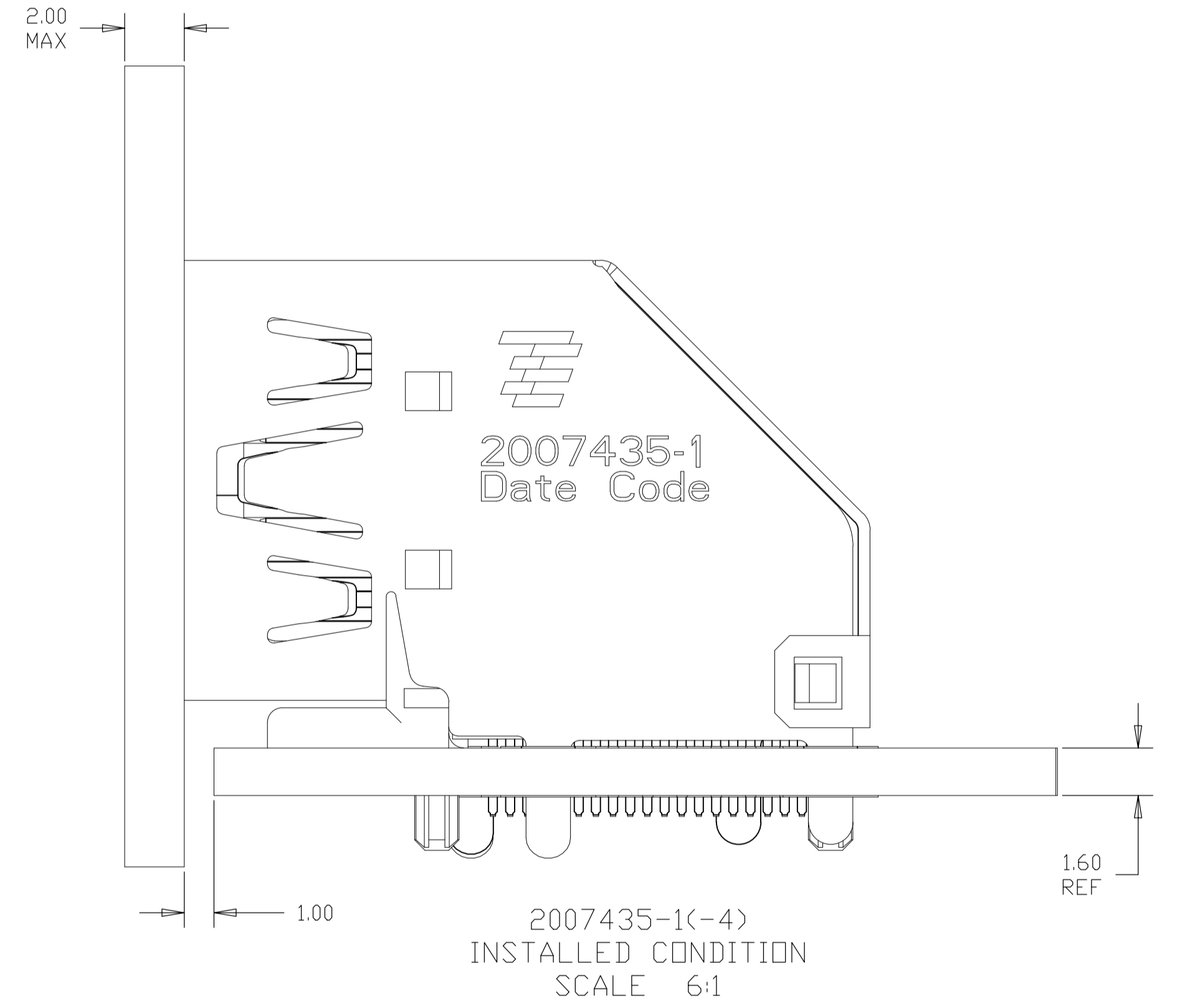
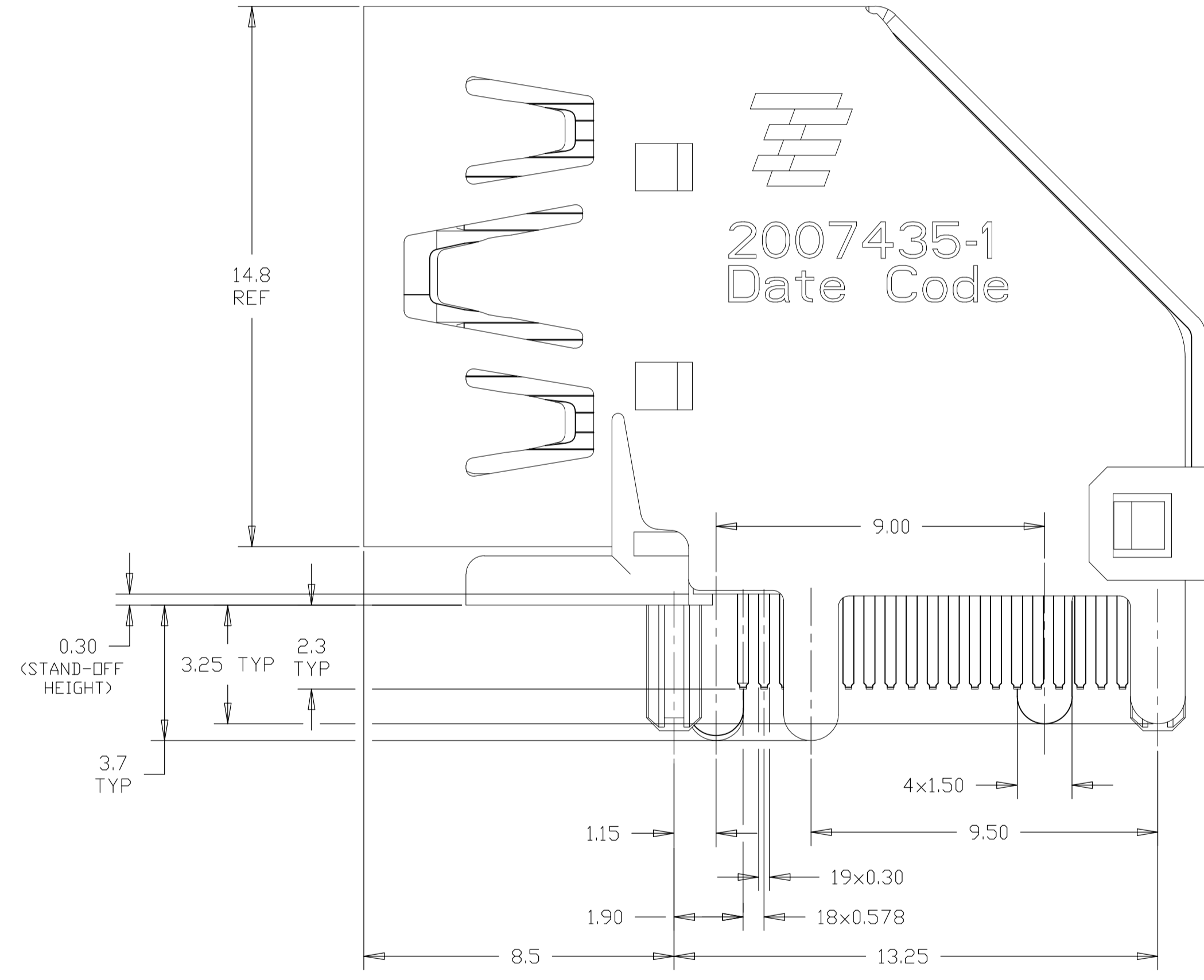
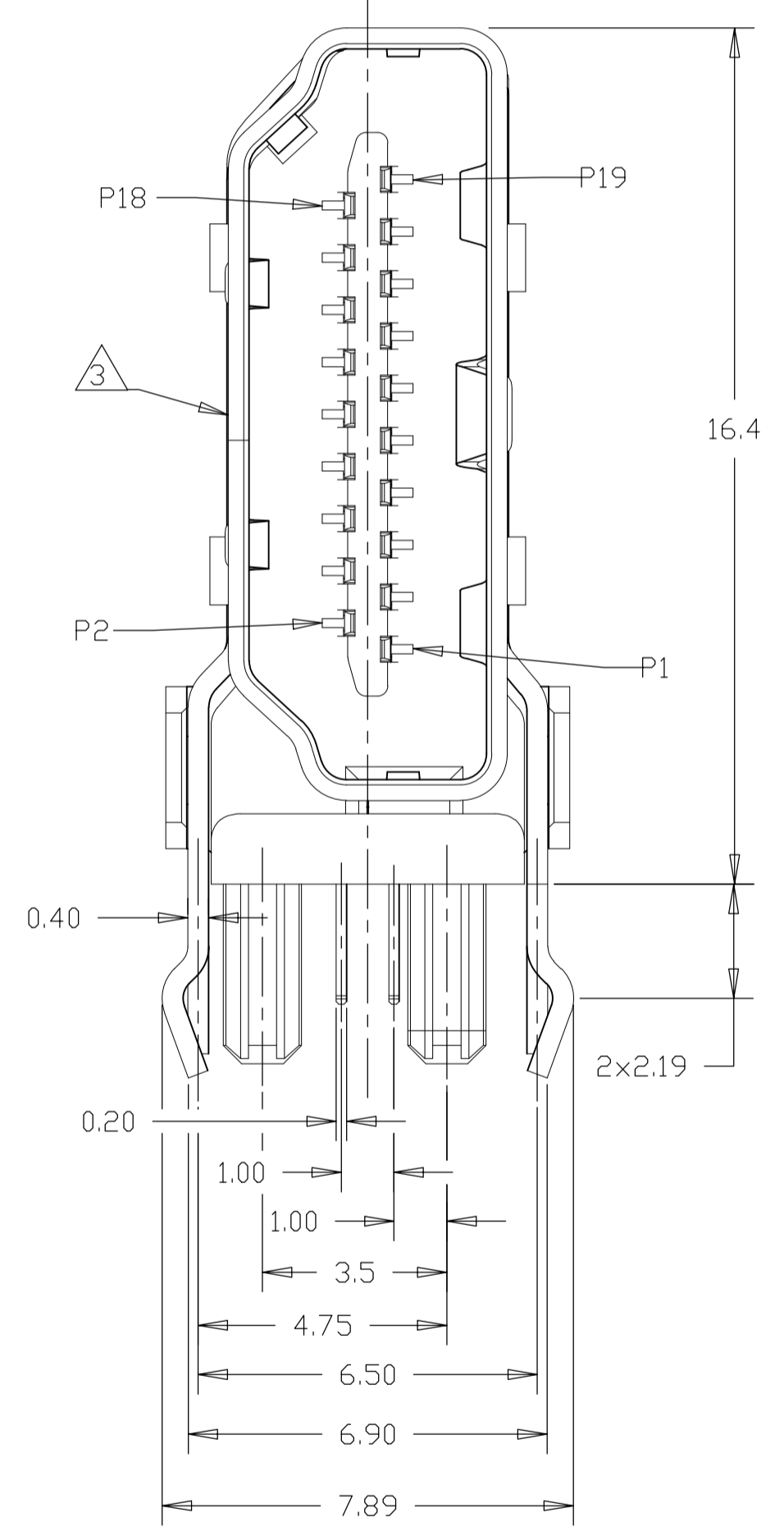


REVISONS		DATE	DMN	APVD
C	RELEASE PER ECR-10-024107	8/31/2010	FL	SY
C1	RELEASE PER ECR-11-016951	7/20/2011	JJ	SY
D2	RELEASED PER ECR-16-011711	4/10/2017	A.X	H.W



- 1 MATERIALS:**
 HOUSING: HIGH TEMP THERMOPLASTIC, UL94V-0, BLACK, PBT.
 CONTACTS: COPPER ALLOY.
 SHIELD: STAINLESS STEEL.
- 2 FINISH:**
 CONTACTS:
 MATING AREA: CONFORMS TO HDMI SPECIFICATION VERSION 1.3a, TABLE 4-6 AND 4-7 (ELECTRICAL AND ENVIRONMENTAL PERFORMANCE), BASED ON EIA/ECA - 364-1000.01A (CONTROLLED ENVIRONMENT APPLICATIONS).
 SOLDER TAILS: TIN OVER NICKEL.
- 3 INTERFACE DIMENSIONS PER HDMI SPECIFICATION VERSION 1.3a.**
- 4 WAVE SOLDER COMPATIBLE PER 109-202. CONDITION B. NO CLEAN FLUX IS RECOMMENDED.**
- 5 THIS DIMENSION HAS AN ADDITIONAL 1.0 CLEARANCE OVER HDMI V1.3a SPECIFICATION MAXIMUM CABLE TYPE A PLUG HEIGHT.**
- 6 REMOVE CAP IS RECOMMENDED AFTER WAVE SOLDER.**
- 7 MATERIALS:**
 HOUSING: HIGH TEMP THERMOPLASTIC, UL94V-0, BLACK, LCP.
 CONTACTS: COPPER ALLOY.
 SHIELD: STAINLESS STEEL.
- 8 STAND-OFF AREA.**

2007435-1(-4)
 SCALE 6:1



EMBOSS TAPE	WITHOUT POLYIMIDE TAPE	WITHOUT KINK AND WITH CAP	0.38 μm	△	2.00	2007435-7
EMBOSS TAPE	WITH POLYIMIDE TAPE	WITHOUT KINK AND WITHOUT CAP	0.38 μm	△	2.00	2007435-6
TRAY	WITHOUT POLYIMIDE TAPE	WITH KINK AND WITH CAP	0.38 μm	△	1.60	2007435-5
		WITH KINK AND WITHOUT CAP	0.76 μm	△	1.60	2007435-4
		WITHOUT KINK AND WITH CAP	0.38 μm	△	1.60	2007435-3
		WITHOUT KINK AND WITHOUT CAP	0.38 μm	△	2.40	2007435-2
TRAY	WITHOUT POLYIMIDE TAPE	WITH KINK AND WITHOUT CAP	0.38 μm	△	1.60	2007435-1
PACKAGE	REMARK	GOLD PLATING ON CONTACT AREA	MATERIAL	PCB THICKNESS	PART NO.	

THIS DRAWING IS A CONTROLLED DOCUMENT.

DMN: Francis Lee 31AUG2010
 CHK: Martin Li 31AUG2010
 APVD: Steven Yao 31AUG2010

NAME: STE TE Connectivity

PRODUCT SPEC: 108-60079

APPLICATION SPEC: -

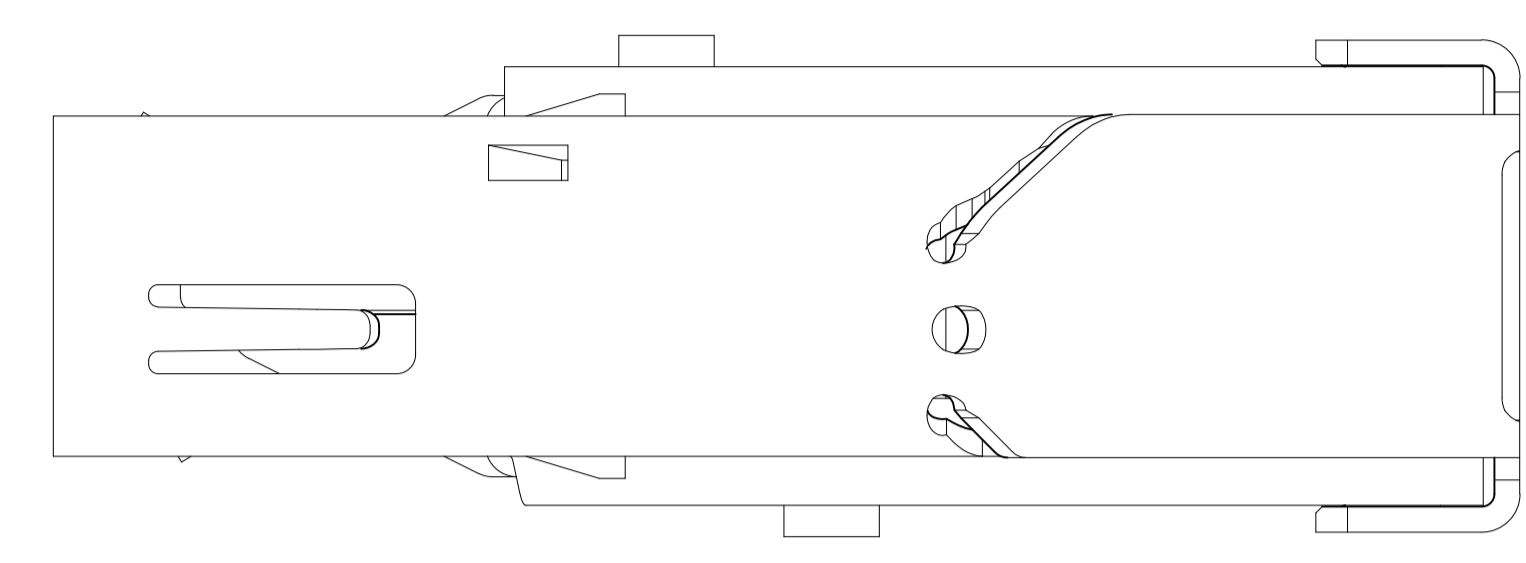
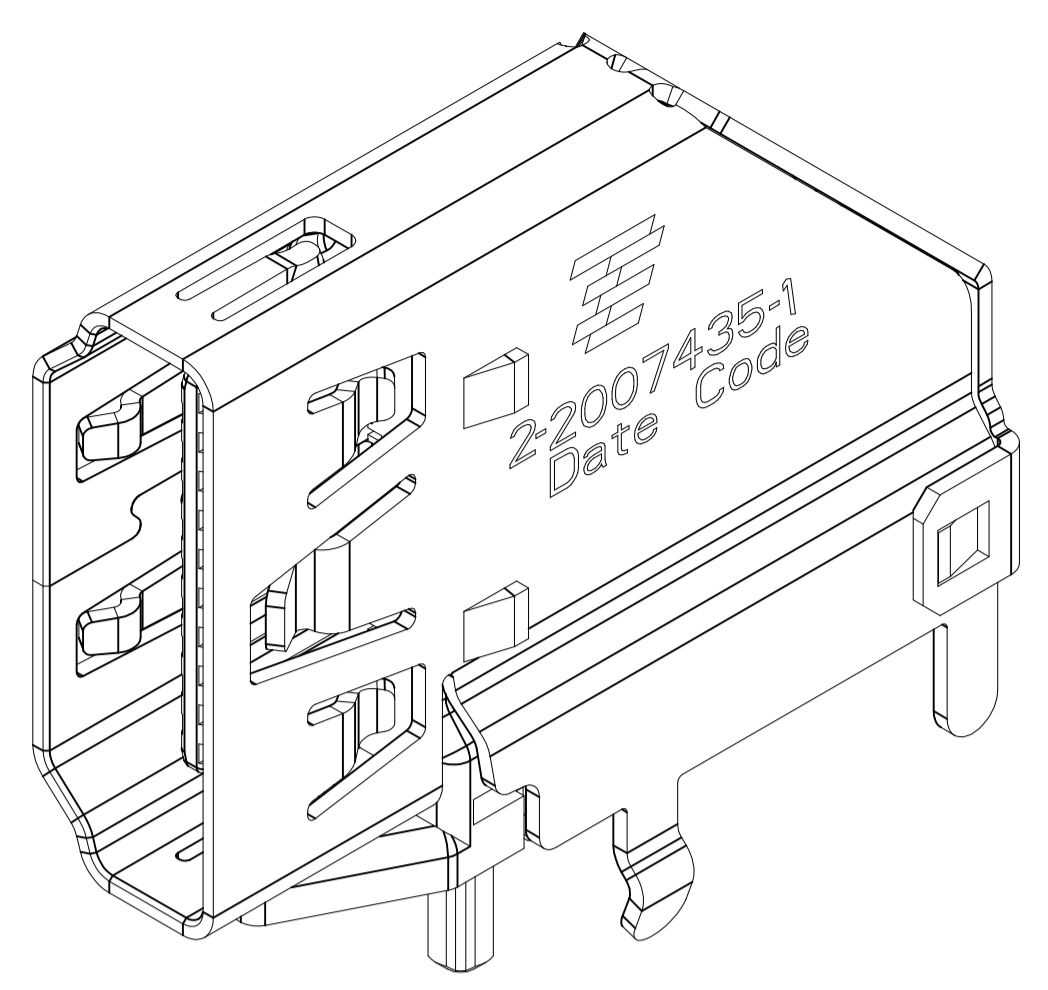
SIZE: A1 CAGE CODE: 00779 DRAWING NO: 2007435

WEIGHT: -

CUSTOMER DRAWING

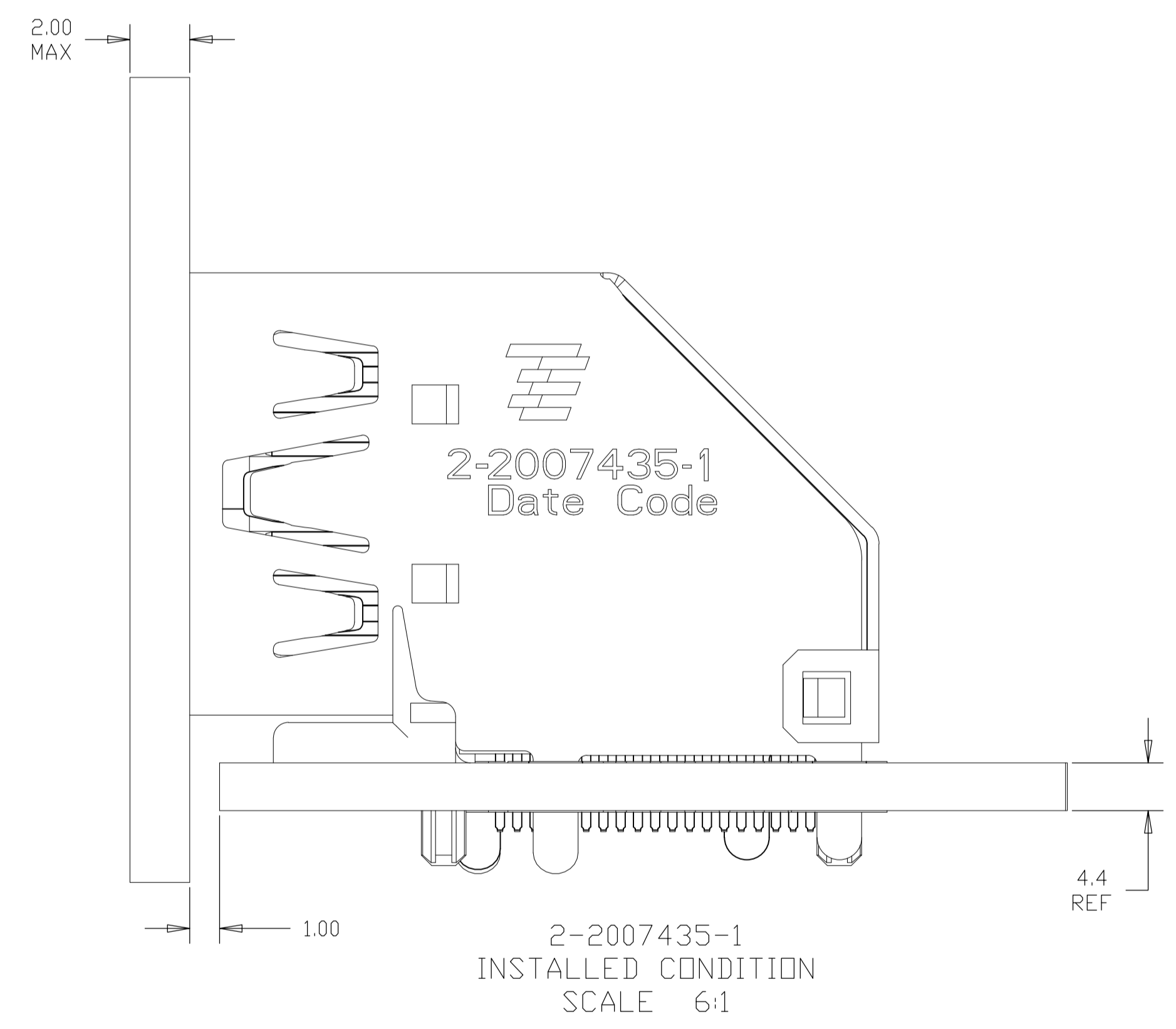
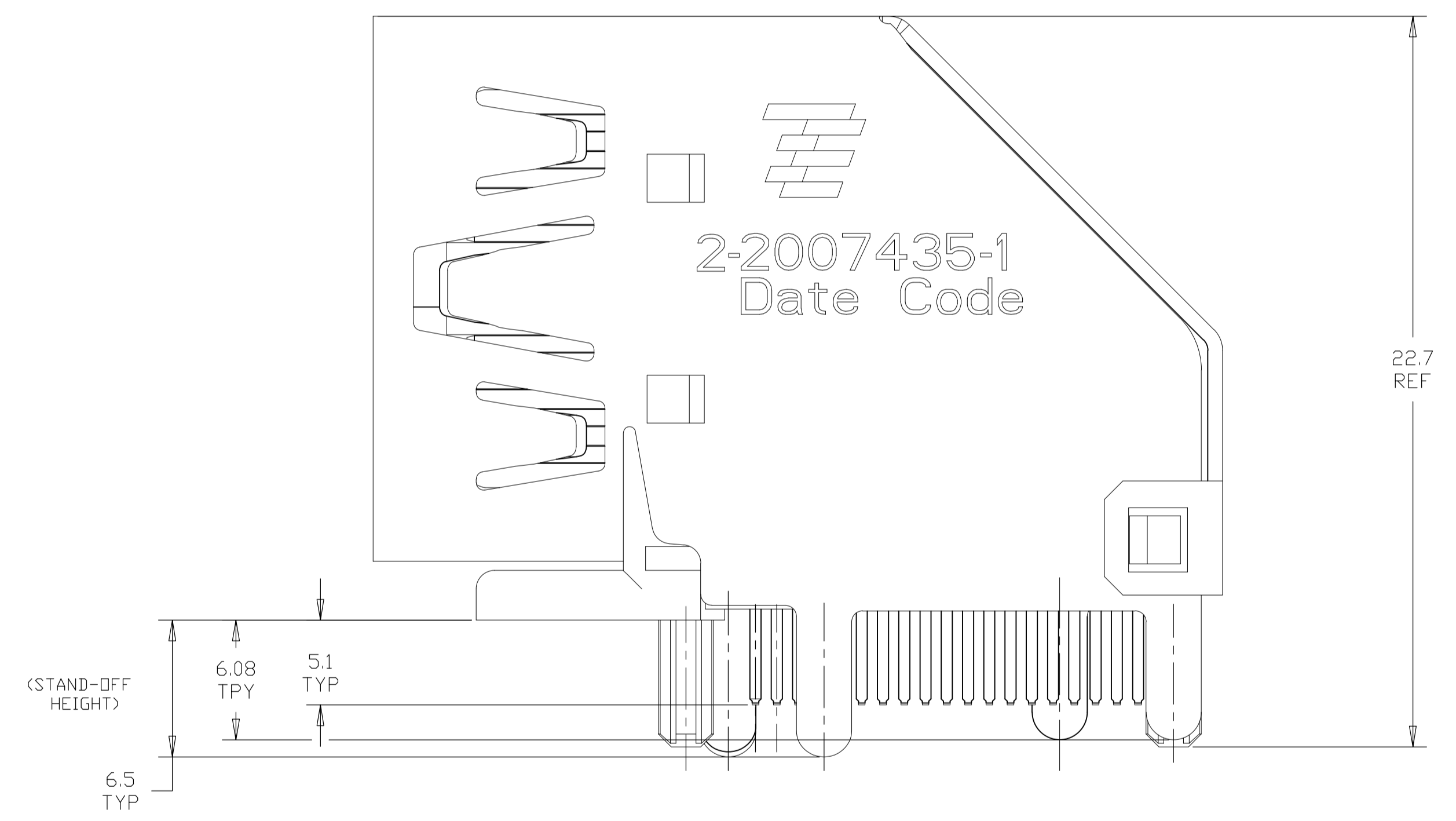
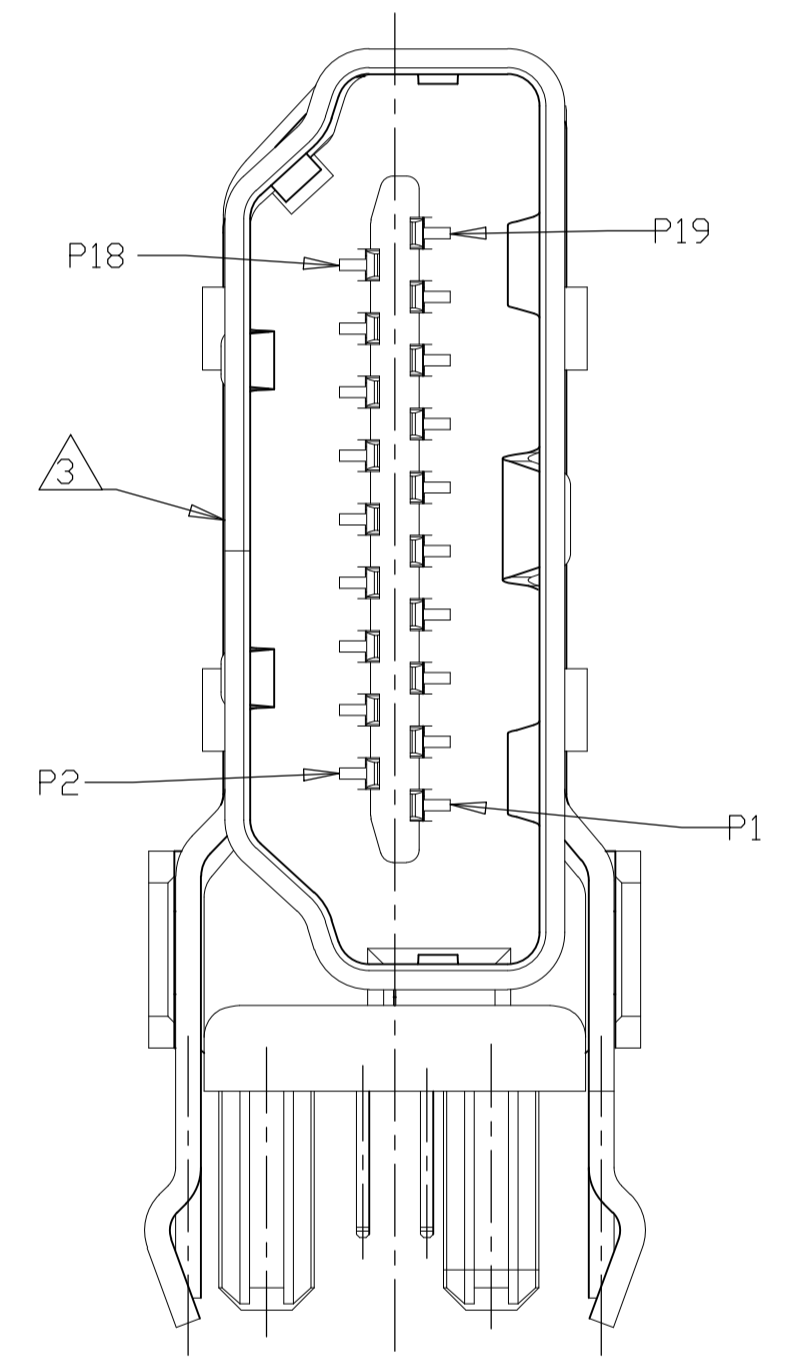
SCALE: 8:1 SHEET: 1 OF 10 REV: D2

LOC		DIST		REVISIONS			
NO	DATE	BY	CHK	DESCRIPTION	DATE	OWN	APPD
-	-	-	-	SEE SHEET 1	-	-	-

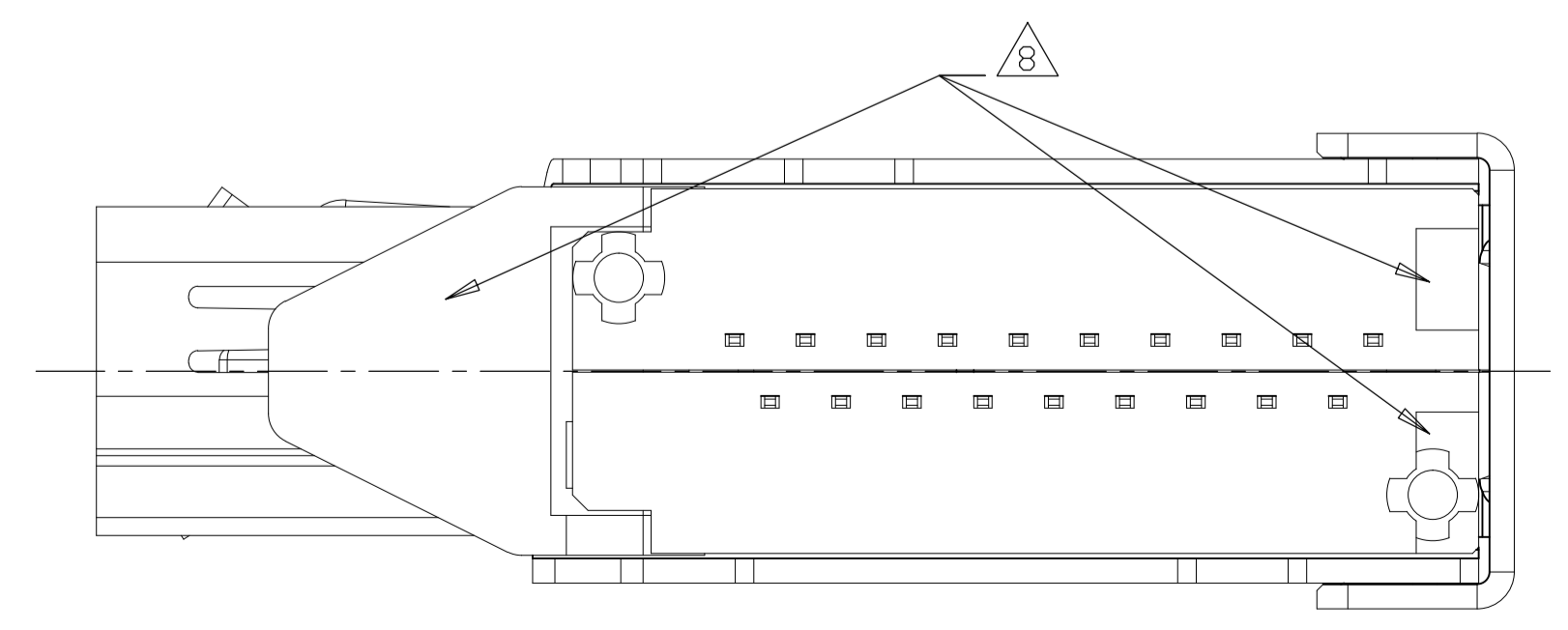


2-2007435-1 WITHOUT BOARD LOCK,
UNMARKED DIMENSIONS SAME AS 2007435-1
SCALE 6:1

- 1 MATERIALS:
HOUSING: HIGH TEMP THERMOPLASTIC, UL94V-0, BLACK, PBT.
CONTACTS: COPPER ALLOY.
SHIELD: STAINLESS STEEL.
- 2 FINISH:
CONTACTS:
MATING AREA: CONFORMS TO HDMI SPECIFICATION VERSION 1.3a
TABLE 4-6 AND 4-7 (ELECTRICAL AND ENVIRONMENTAL PERFORMANCE), BASED ON EIA/ECA - 364-1000.01A (CONTROLLED ENVIRONMENT APPLICATIONS).
SOLDER TAILS: TIN OVER NICKEL.
- 3 INTERFACE DIMENSIONS PER HDMI SPECIFICATION VERSION 1.3a.
- 4 WAVE SOLDER COMPATIBLE PER 109-202, CONDITION B. NO CLEAN FLUX IS RECOMMENDED.
- 5 THIS DIMENSION HAS AN ADDITIONAL 1.0 CLEARANCE OVER HDMI V1.3a SPECIFICATION MAXIMUM CABLE TYPE A PLUG HEIGHT.
- 6 REMOVE CAP IS RECOMMENDED AFTER WAVE SOLDER.
- 7 MATERIALS:
HOUSING: HIGH TEMP THERMOPLASTIC, UL94V-0, BLACK, LCP.
CONTACTS: COPPER ALLOY.
SHIELD: STAINLESS STEEL.
- 8 STAND-OFF AREA.

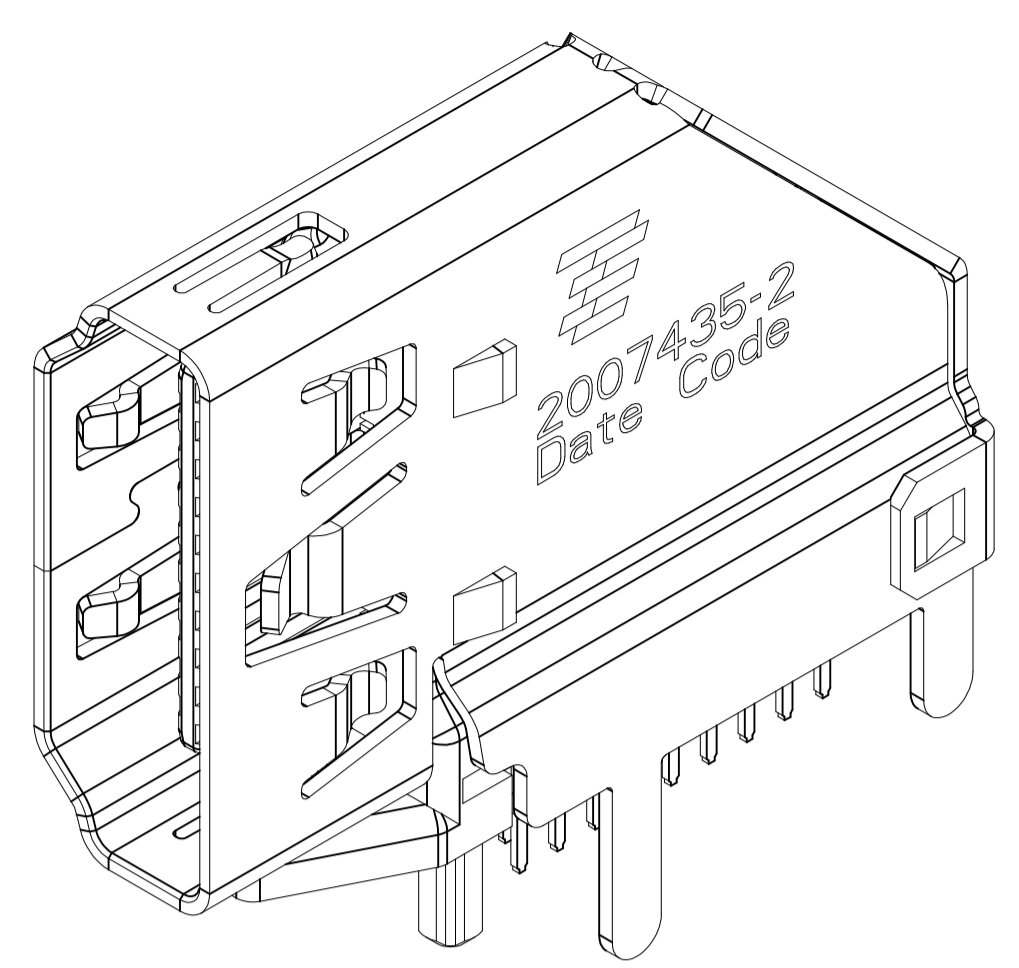


DESIGN APPROVED THIS PRINT IS
PRELIMINARY
TO FIRST PIECE APPROVAL
CONTACT PRODUCT ENGINEERING
BEFORE USING THIS PRINT

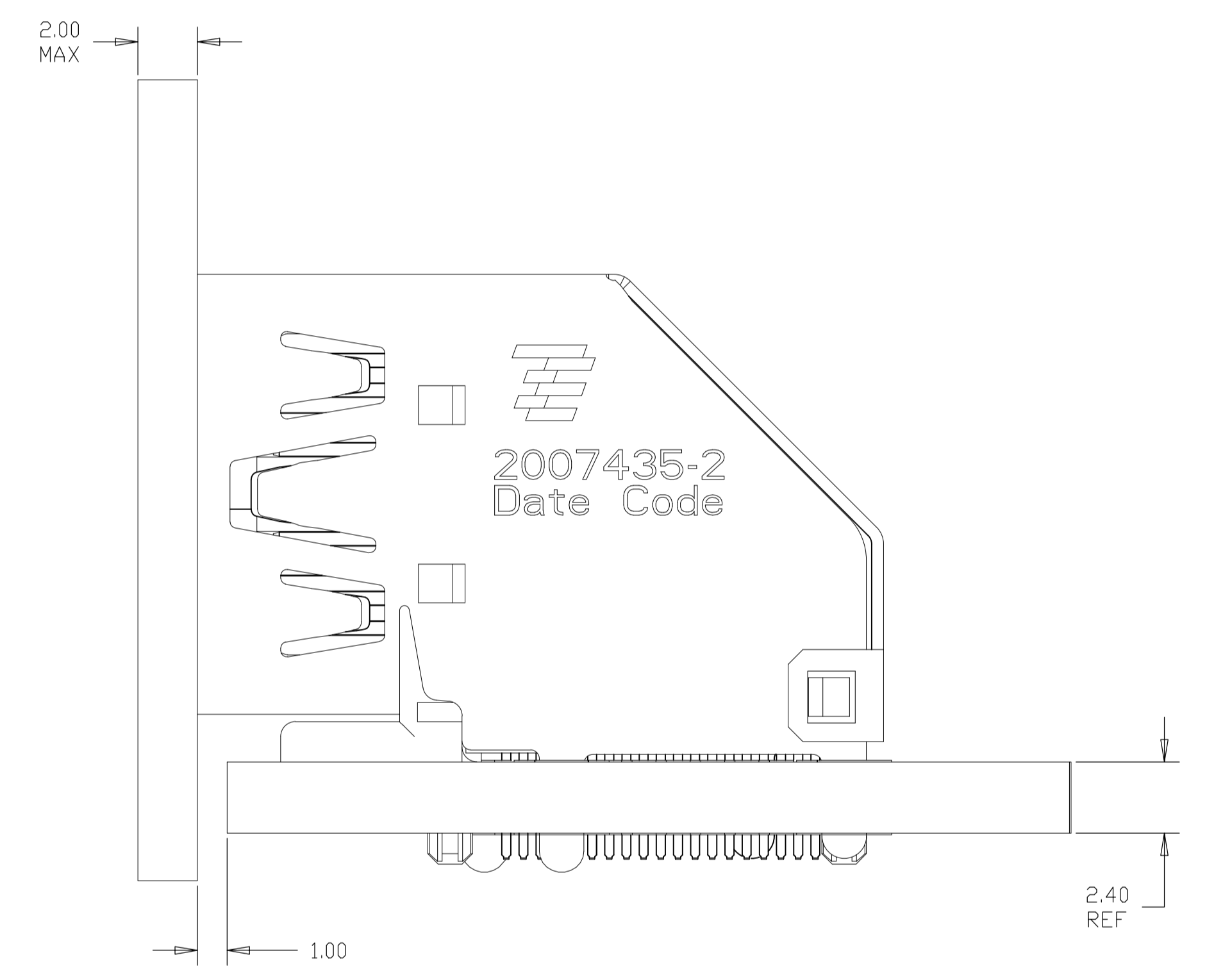
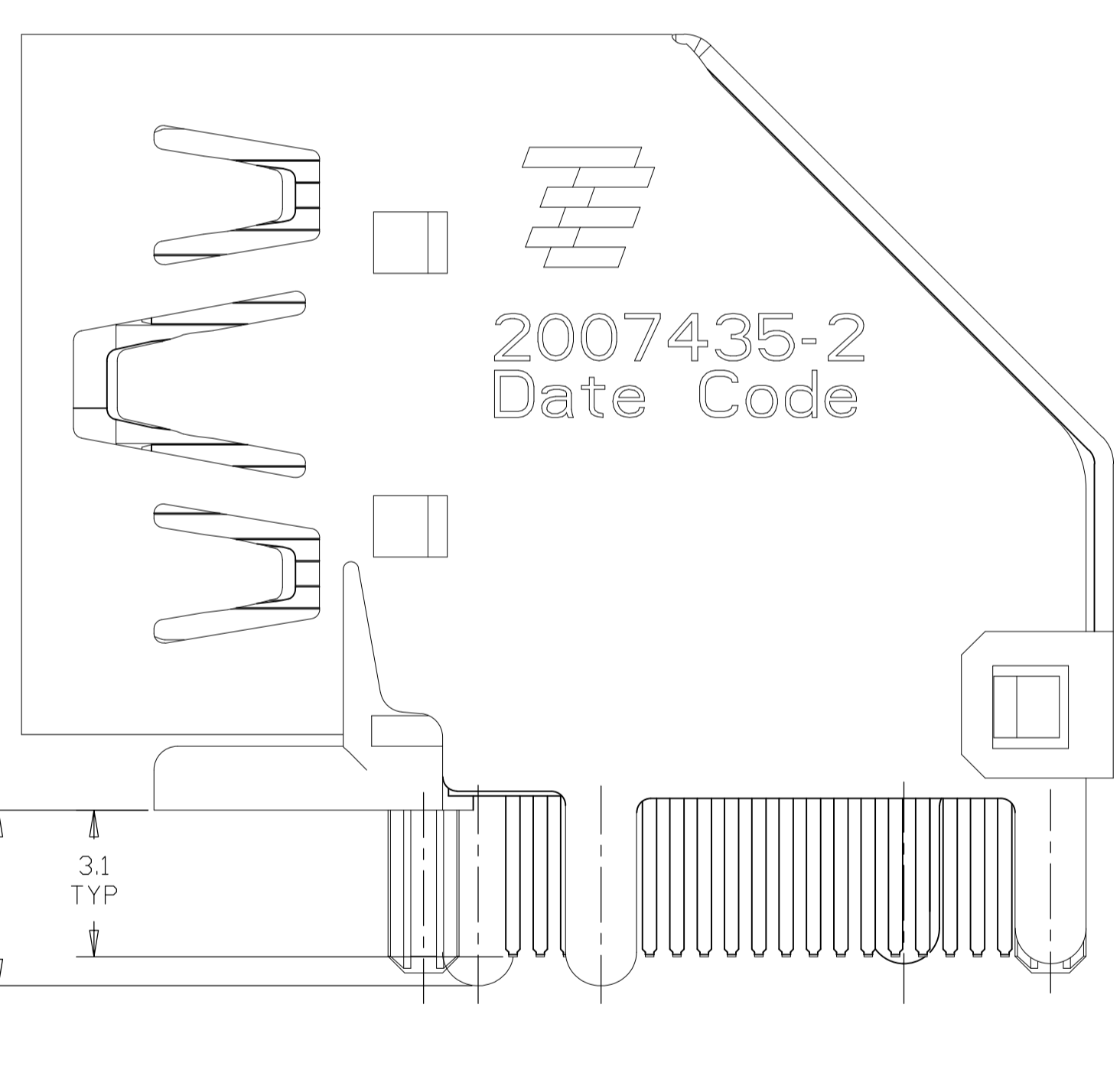
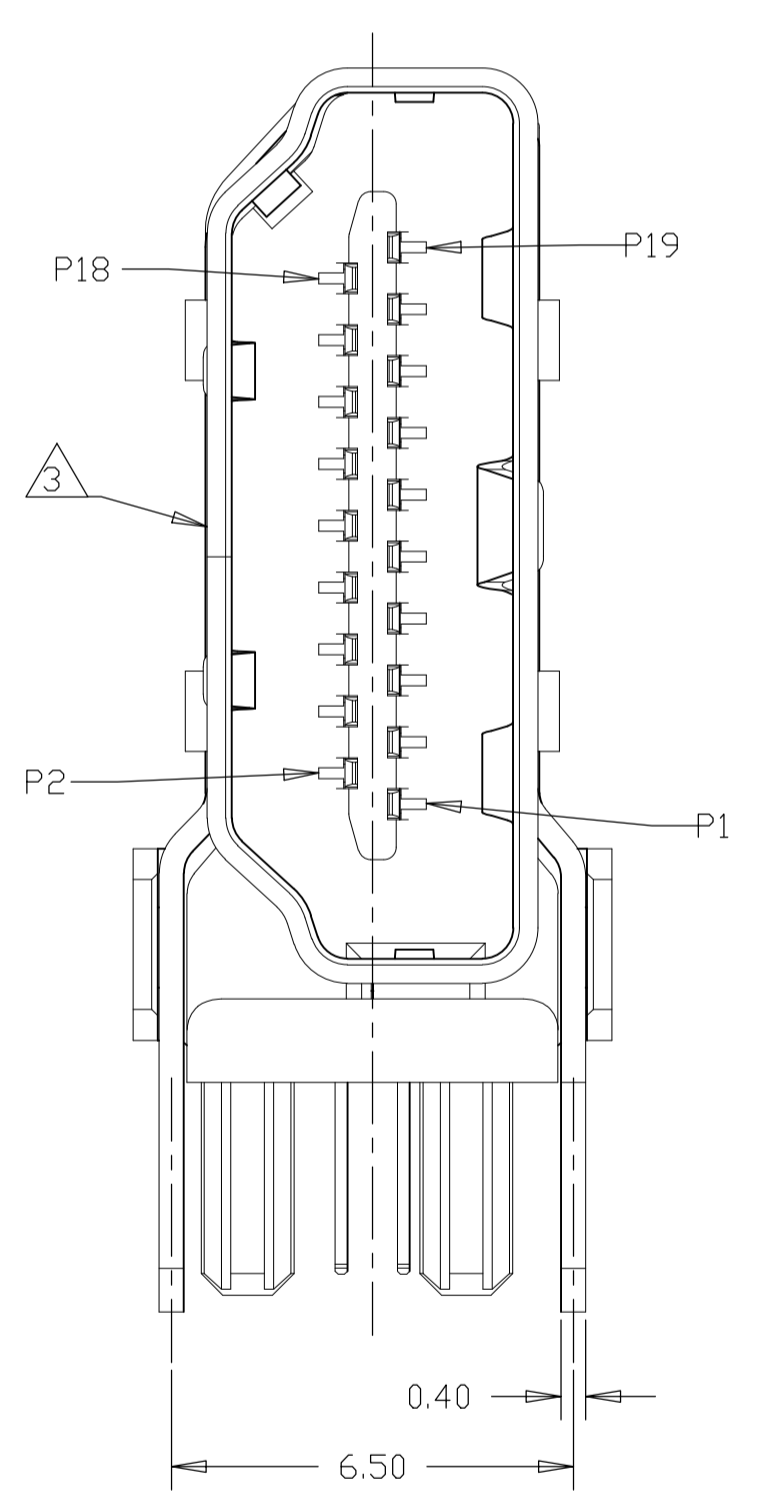
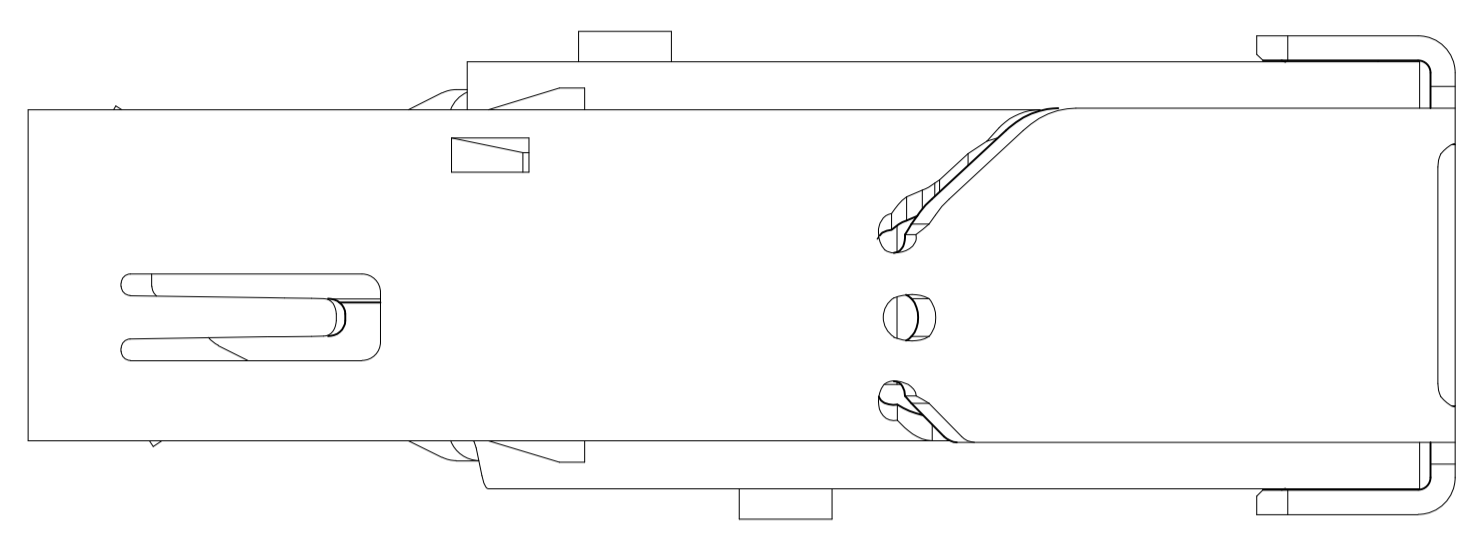


TRAY	WITHOUT POLYIMIDE TAPE	WITH KINK AND WITHOUT CAP	0.38 μ m	4.40	2-2007435-1
PACKAGE	REMARK		GOLD PLATING ON CONTACT AREA	MATERIAL	PCB THICKNESS
THIS DRAWING IS A CONTROLLED DOCUMENT.			DWN Francis Lee 31AUG2010	STE TE Connectivity	
DIMENSIONS: mm			CHK Martin Li 31AUG2010	HDMI FLAG CONNECTOR ASSEMBLY	
TOLERANCES UNLESS OTHERWISE SPECIFIED:			APPD Steven Yao 31AUG2010	108-60079	
0 PLC \pm -			APPLICATION SPEC		
1 PLC \pm 0.3			SIZE CAGE CODE DRAWING NO		
2 PLC \pm 0.25			A1 00779 2007435		
3 PLC \pm 0.100			RESTRICTED TO		
4 PLC \pm 0.1000			CUSTOMER DRAWING		
ANGLES \pm 5			SCALE 8:1 SHEET 2 OF 10 REV D2		

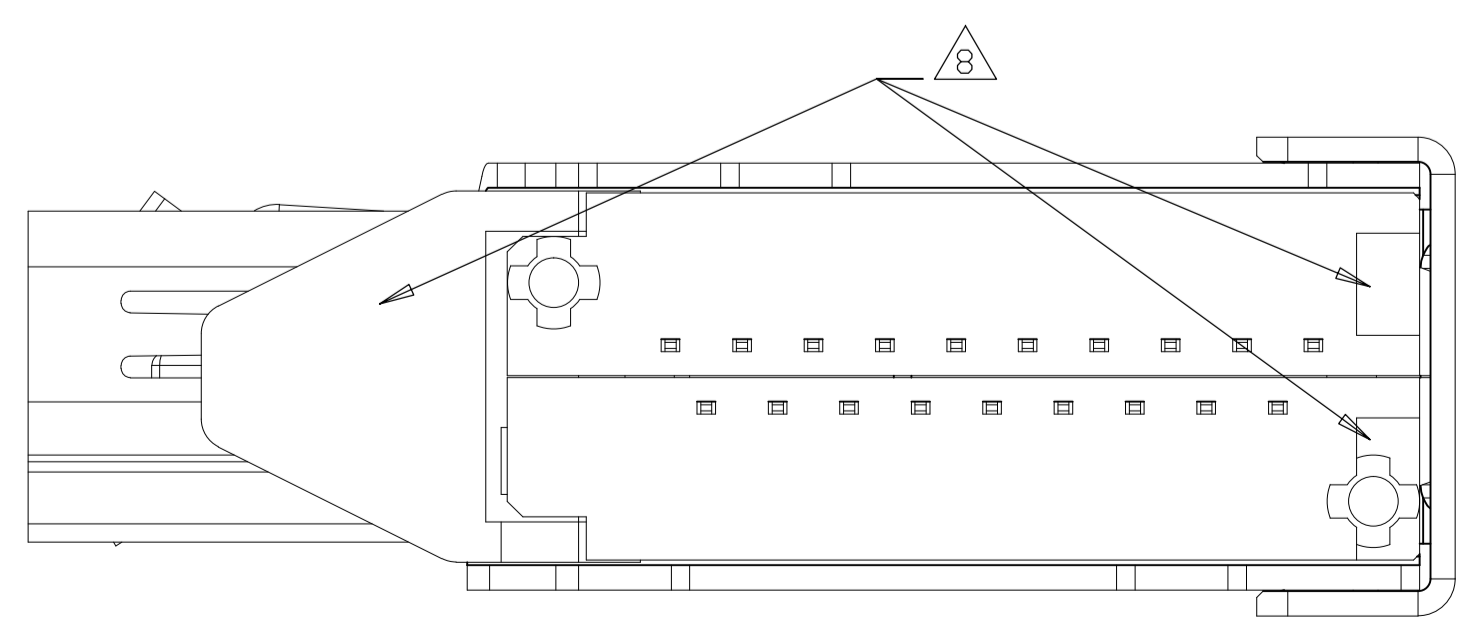
LOC		DIST		REVISIONS			
P	LTR	DESCRIPTION	DATE	DN	APVD		
-	-	SEE SHEET 1	-	-	-	-	-



2007435-2 WITHOUT BOARD LOCK,
 UNMARKED DIMENSIONS SAME AS 2007435-1
 SCALE 6:1

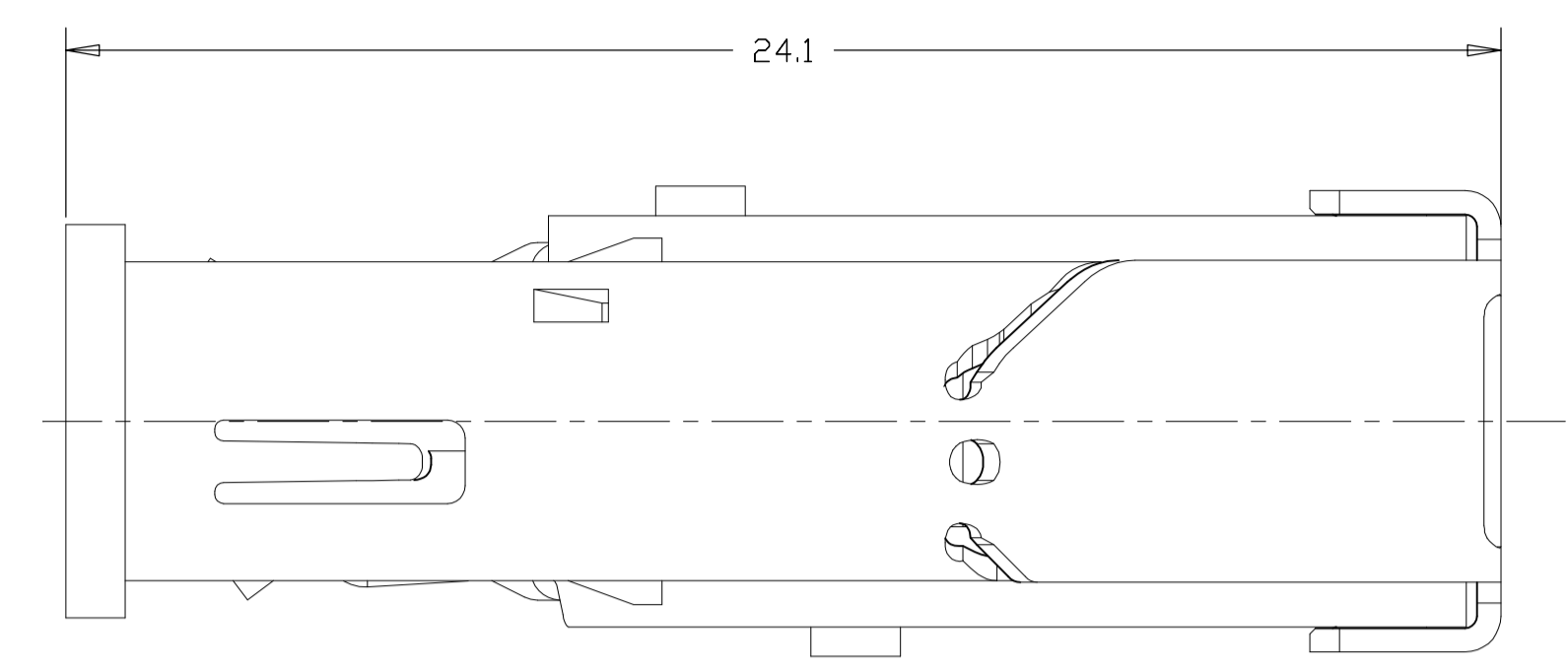
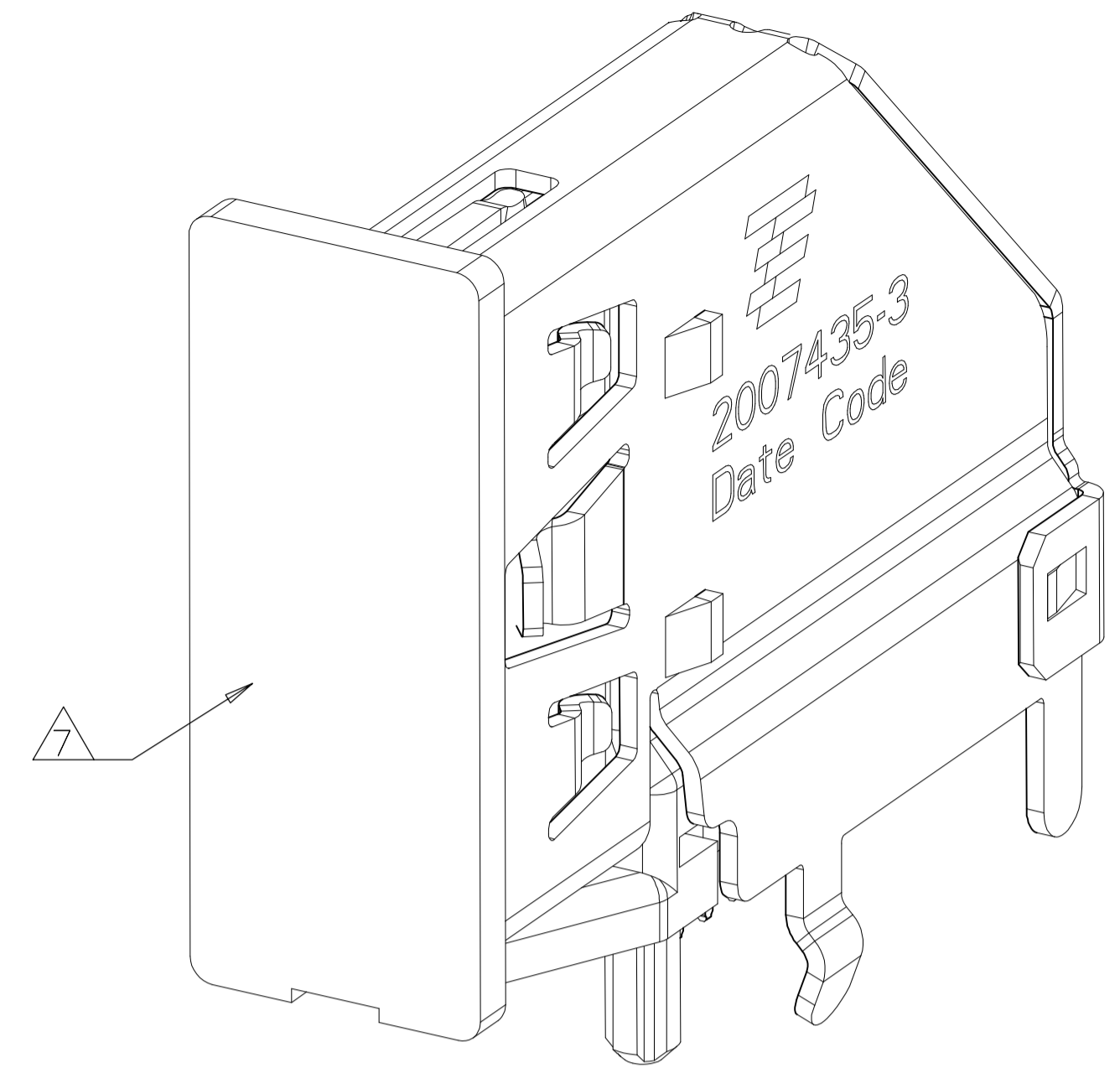


2007435-2
 INSTALLED CONDITION
 SCALE 6:1

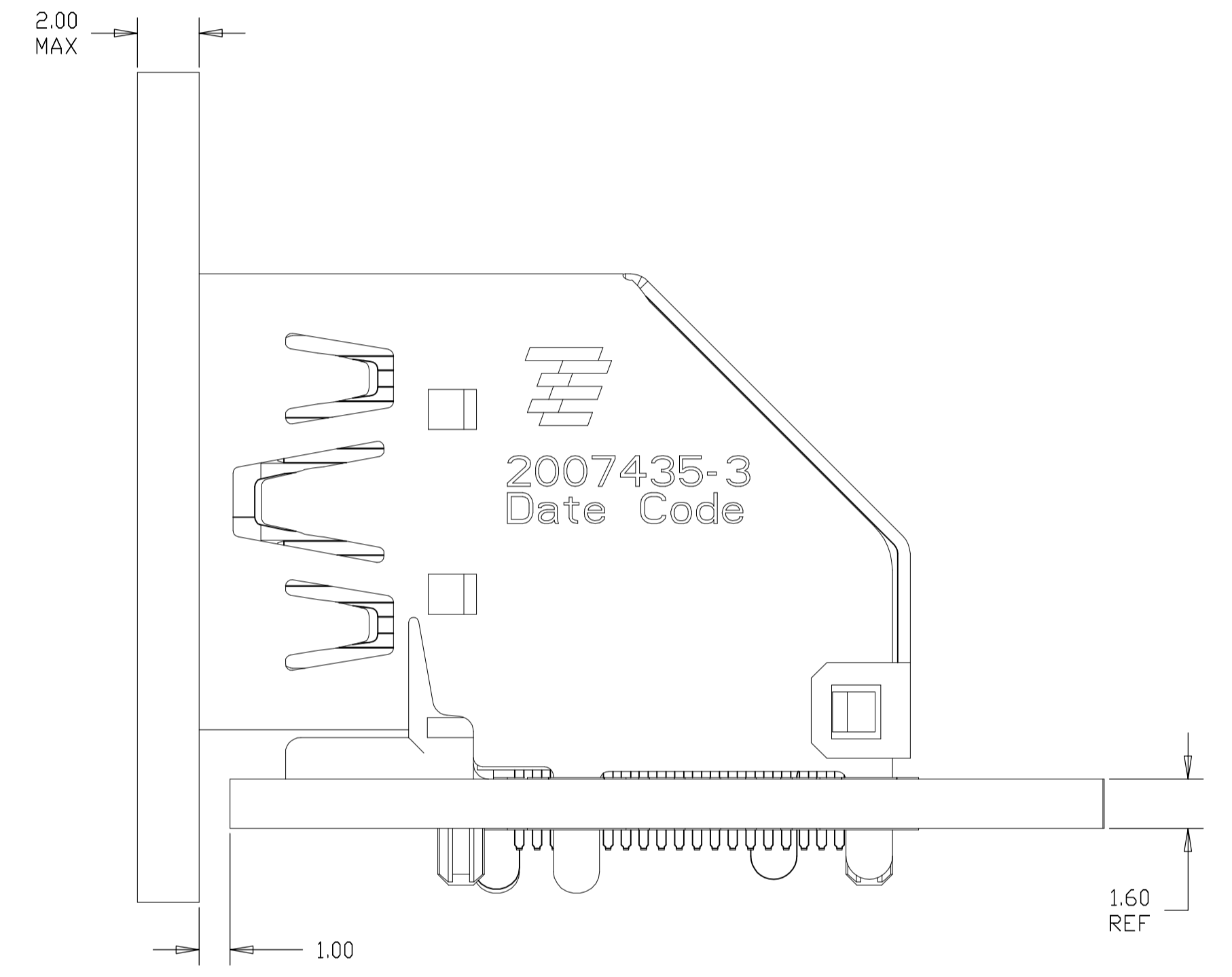
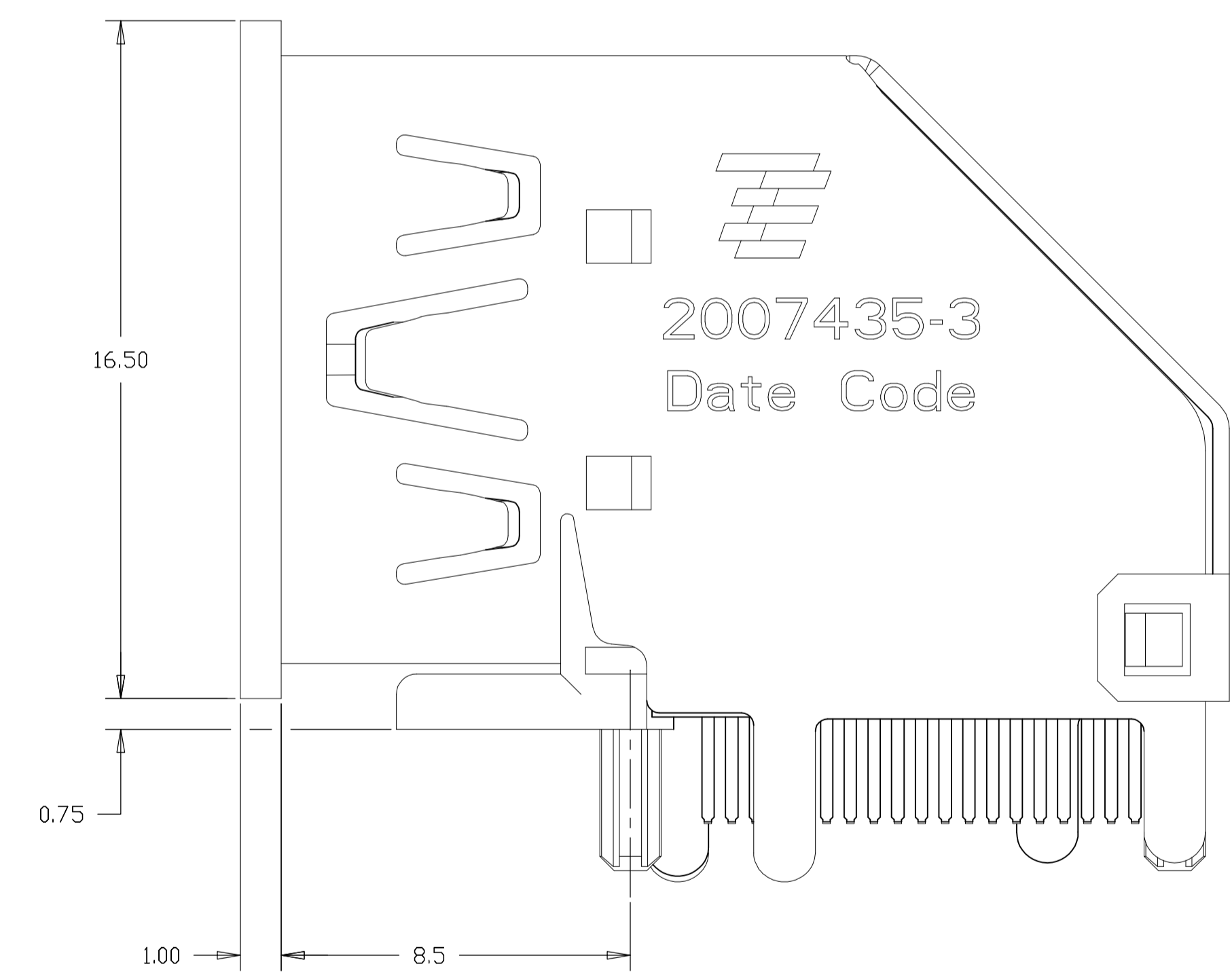
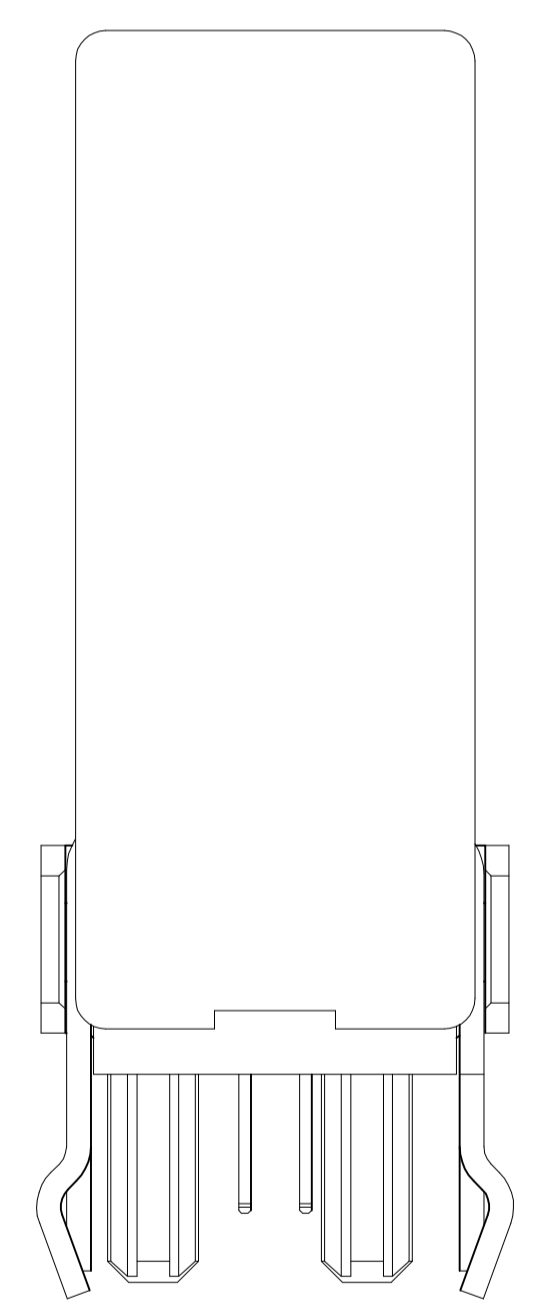


THIS DRAWING IS A CONTROLLED DOCUMENT.		DIN		STC TE Connectivity																			
DIMENSIONS: mm		TOLERANCES UNLESS OTHERWISE SPECIFIED:		NAME																			
<table border="1"> <tr><td>0. PLC</td><td>±</td><td>-</td></tr> <tr><td>1. PLC</td><td>±</td><td>0.3</td></tr> <tr><td>2. PLC</td><td>±</td><td>0.25</td></tr> <tr><td>3. PLC</td><td>±</td><td>0.100</td></tr> <tr><td>4. PLC</td><td>±</td><td>0.1000</td></tr> <tr><td>ANGLES</td><td>±</td><td>-</td></tr> </table>		0. PLC	±	-	1. PLC	±	0.3	2. PLC	±	0.25	3. PLC	±	0.100	4. PLC	±	0.1000	ANGLES	±	-	APVD		HDMI FLAG CONNECTOR ASSEMBLY	
0. PLC	±	-																					
1. PLC	±	0.3																					
2. PLC	±	0.25																					
3. PLC	±	0.100																					
4. PLC	±	0.1000																					
ANGLES	±	-																					
MATERIAL SEE TABLE		FINISH		RESTRICTED TO																			
CUSTOMER DRAWING		SCALE 8:1		SHEET 3 OF 10																			
SIZE A1		CAGE CODE 00779		DRAWING NO. C=2007435																			
REV D2		REV		REV																			

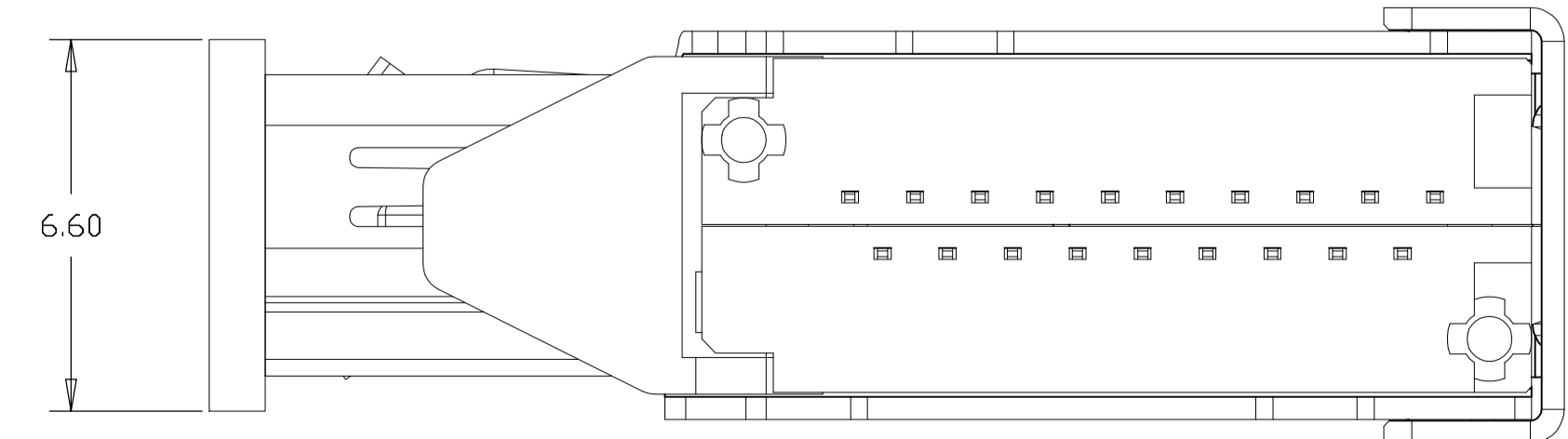
LOC		DIST		REVISIONS			
P	LTR	DESCRIPTION	DATE	DN	APVD		
-	-	SEE SHEET 1	-	-	-	-	-



2007435-3(-5) WITH CAP, UNMARKED
 DIMENSIONS SAME AS 2007435-1
 SCALE 6:1

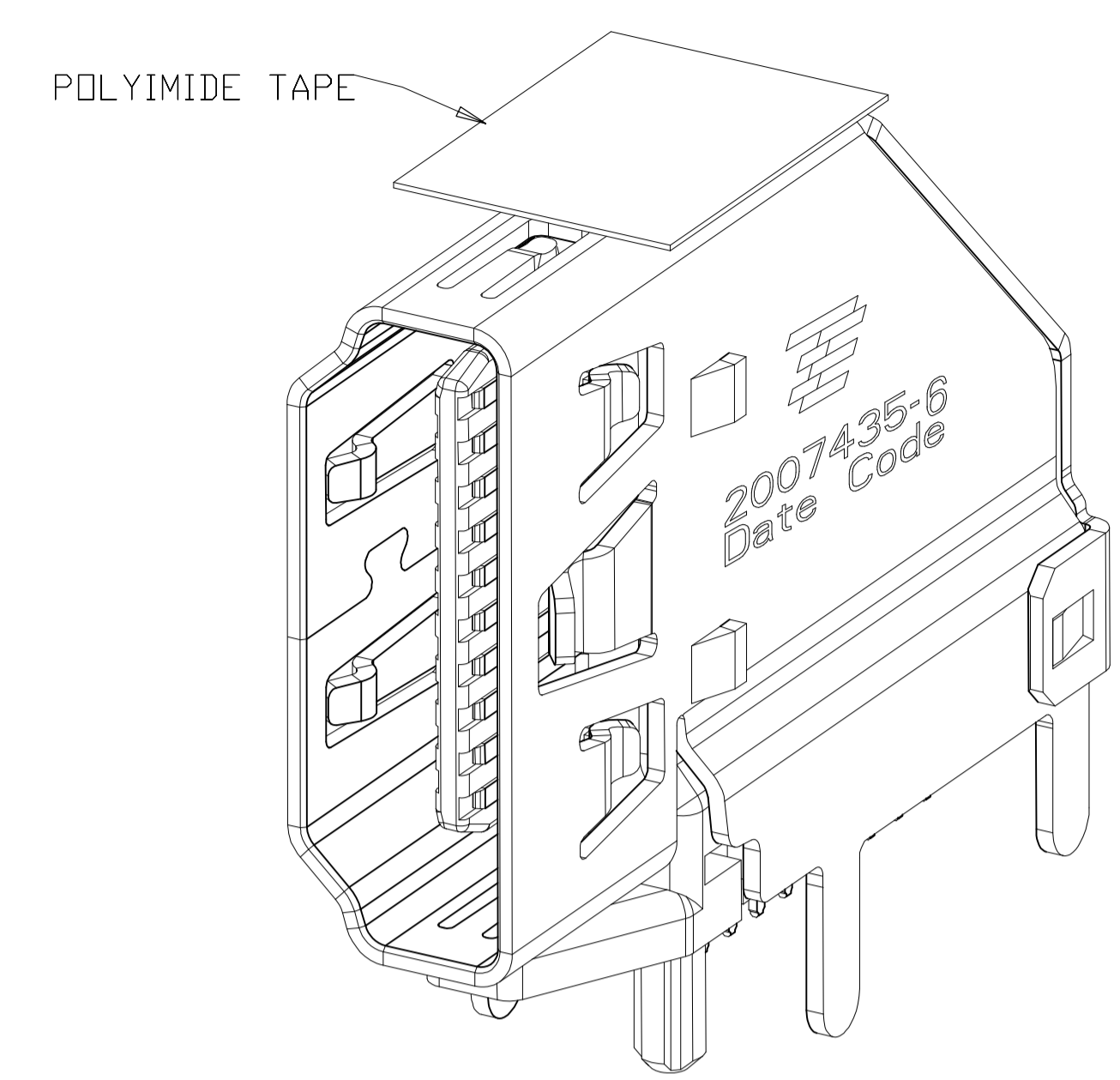
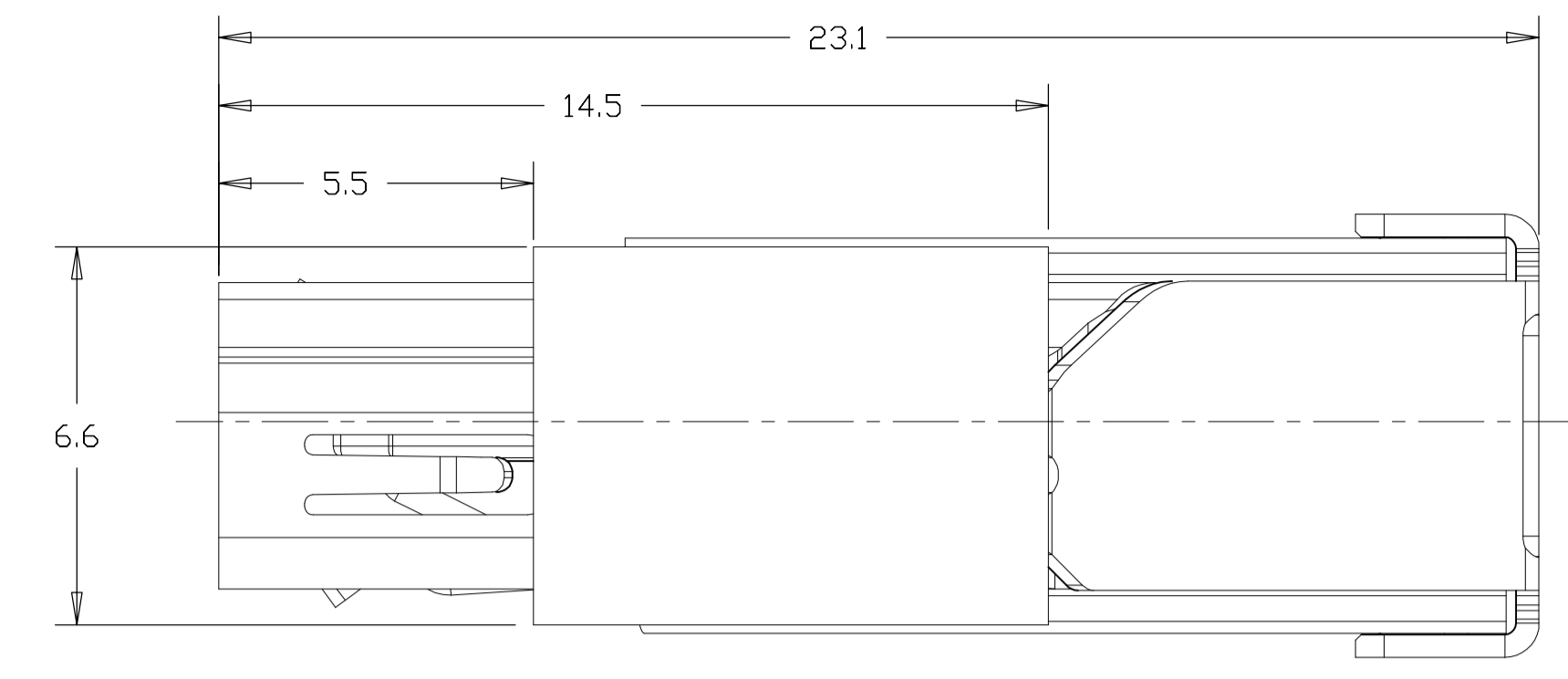


2007435-3(-5)
 INSTALLED CONDITION
 (ONLY FOR AFTER REMOVE CAP)
 SCALE 6:1

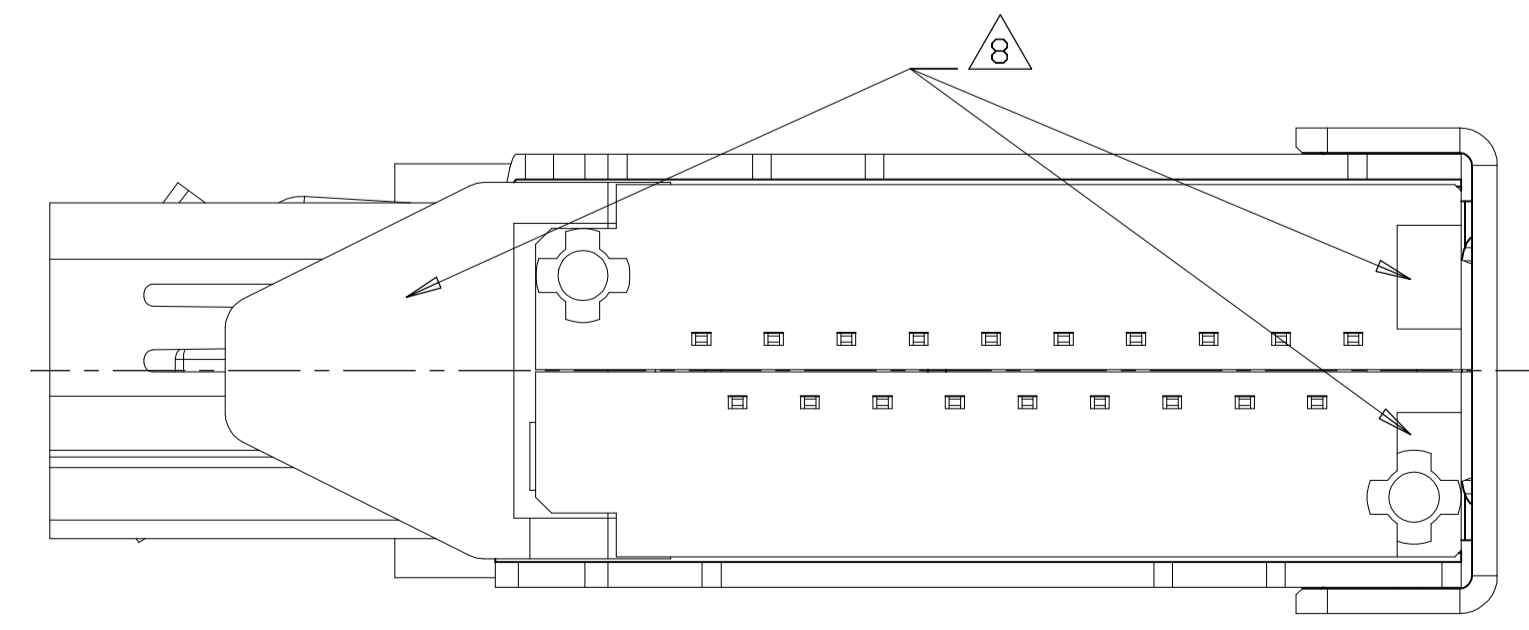
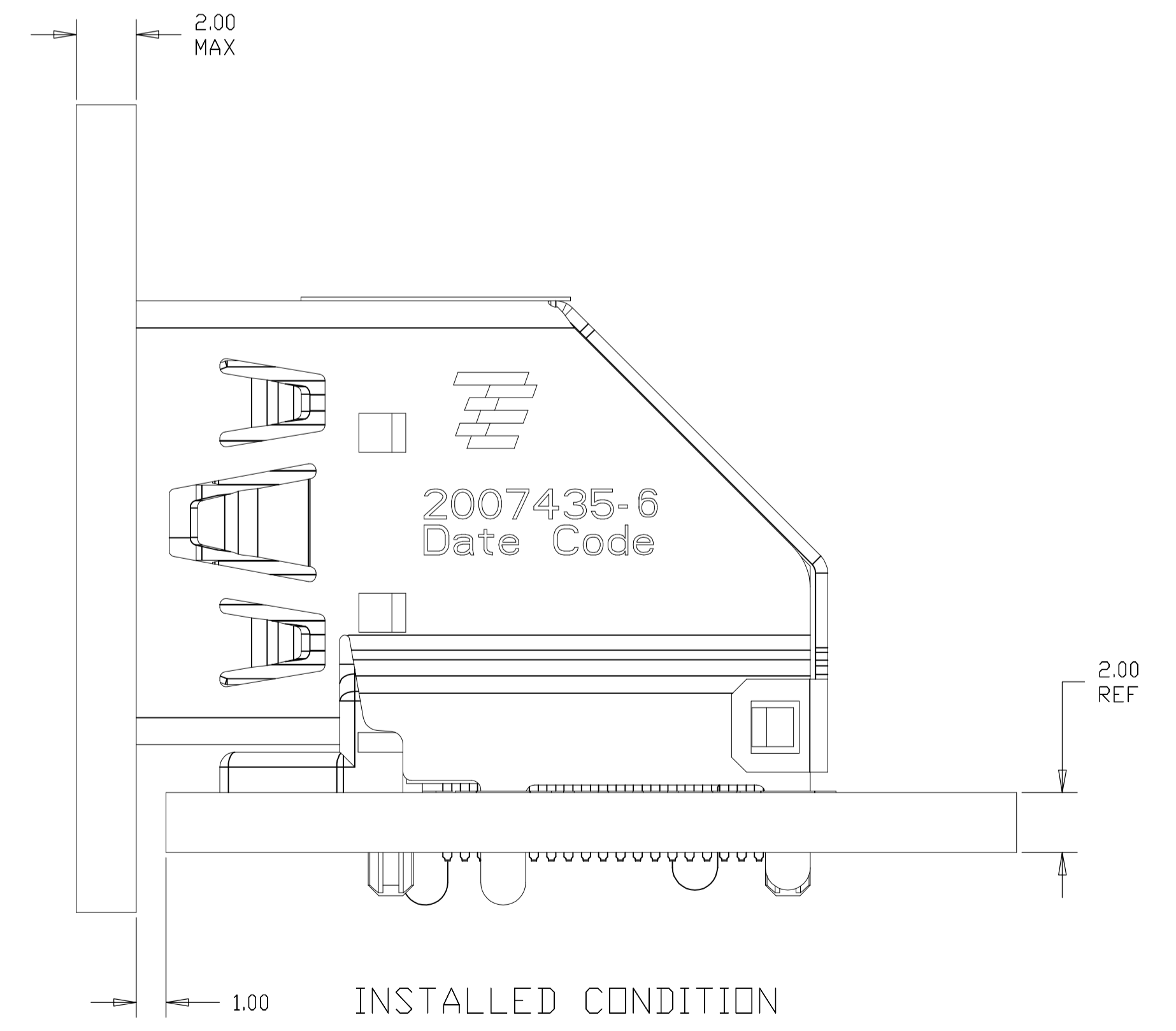
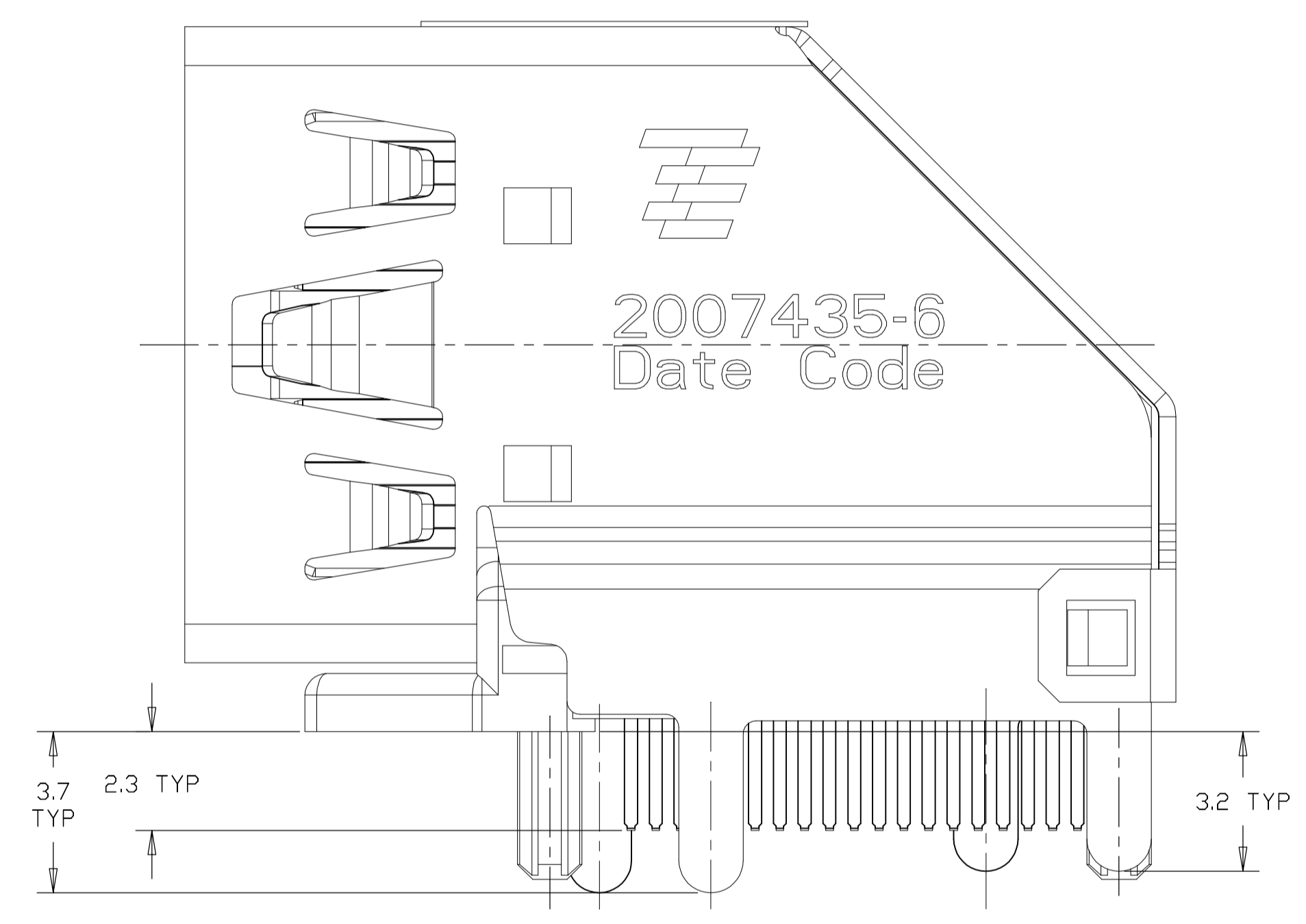
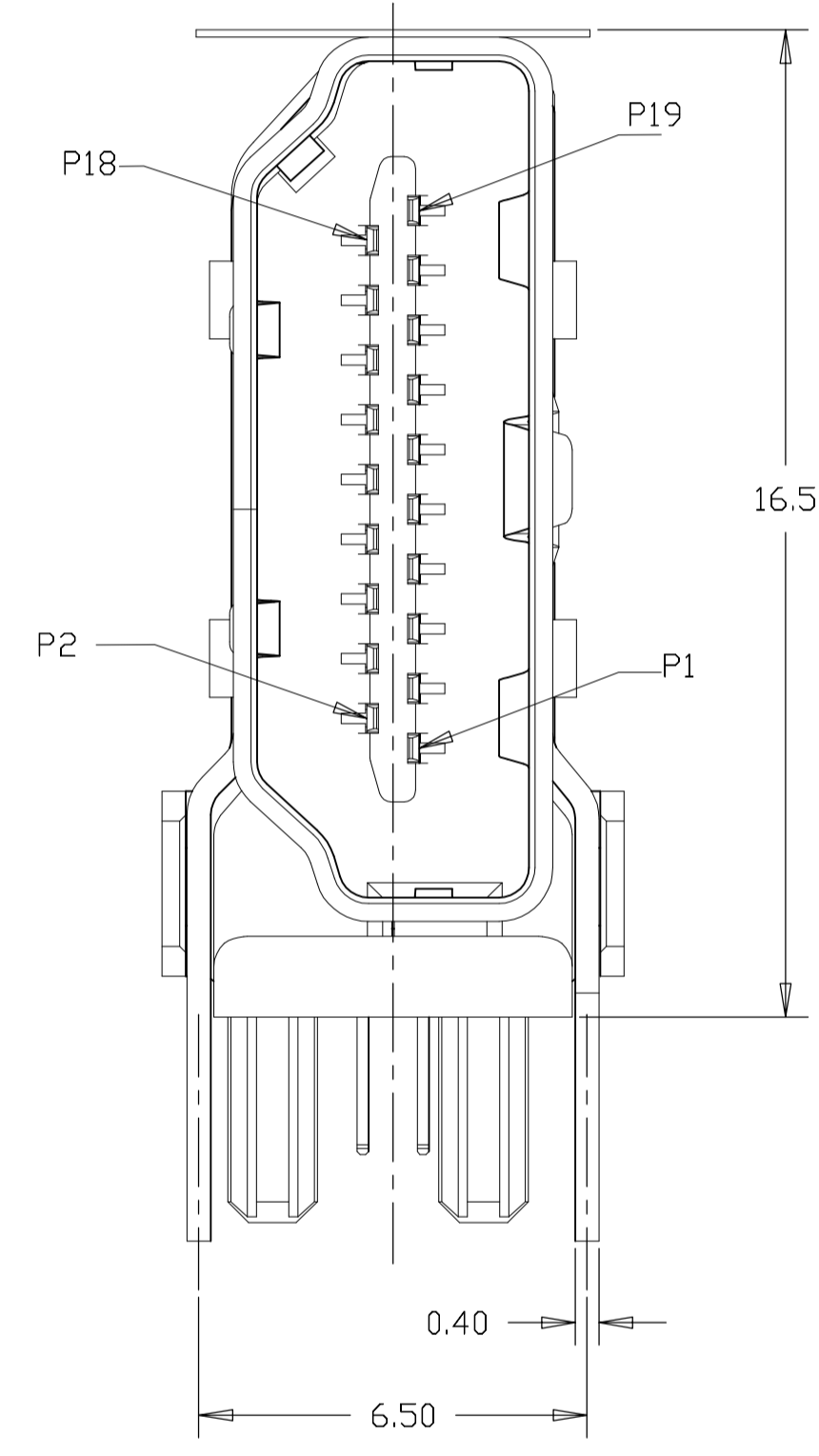


THIS DRAWING IS A CONTROLLED DOCUMENT.		DIN		TE Connectivity	
DIMENSIONS: mm		CHK			
TOLERANCES UNLESS OTHERWISE SPECIFIED: 0. PLC ± 0.3 1. PLC ± 0.25 2. PLC ± 0.10 3. PLC ± 0.10 4. PLC ± 0.10 ANGLES ± -		APVD		NAME	
		PRODUCT SPEC		HDMI FLAG CONNECTOR ASSEMBLY	
MATERIAL SEE TABLE		FINISH		APPLICATION SPEC	
		WEIGHT		SIZE CAGE CODE DRAWING NO	
		CUSTOMER DRAWING		A1 00779 C=2007435	
		SCALE 8:1		SHEET 4 OF 10 REV D2	

LOC		DIST		REVISIONS			
P	LTR	DESCRIPTION	DATE	DNW	APVD		
-	-	SEE SHEET 1	-	-	-		

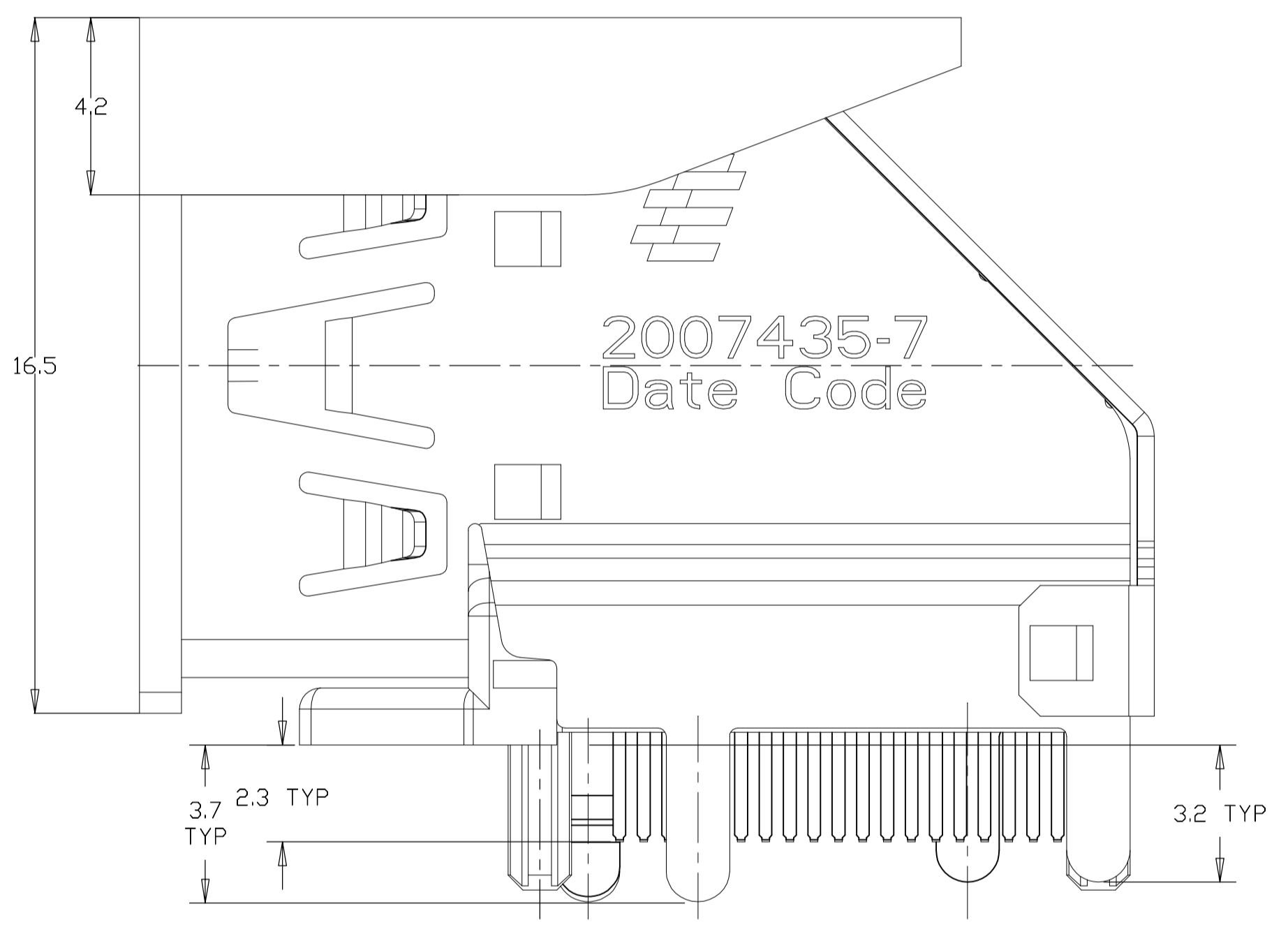
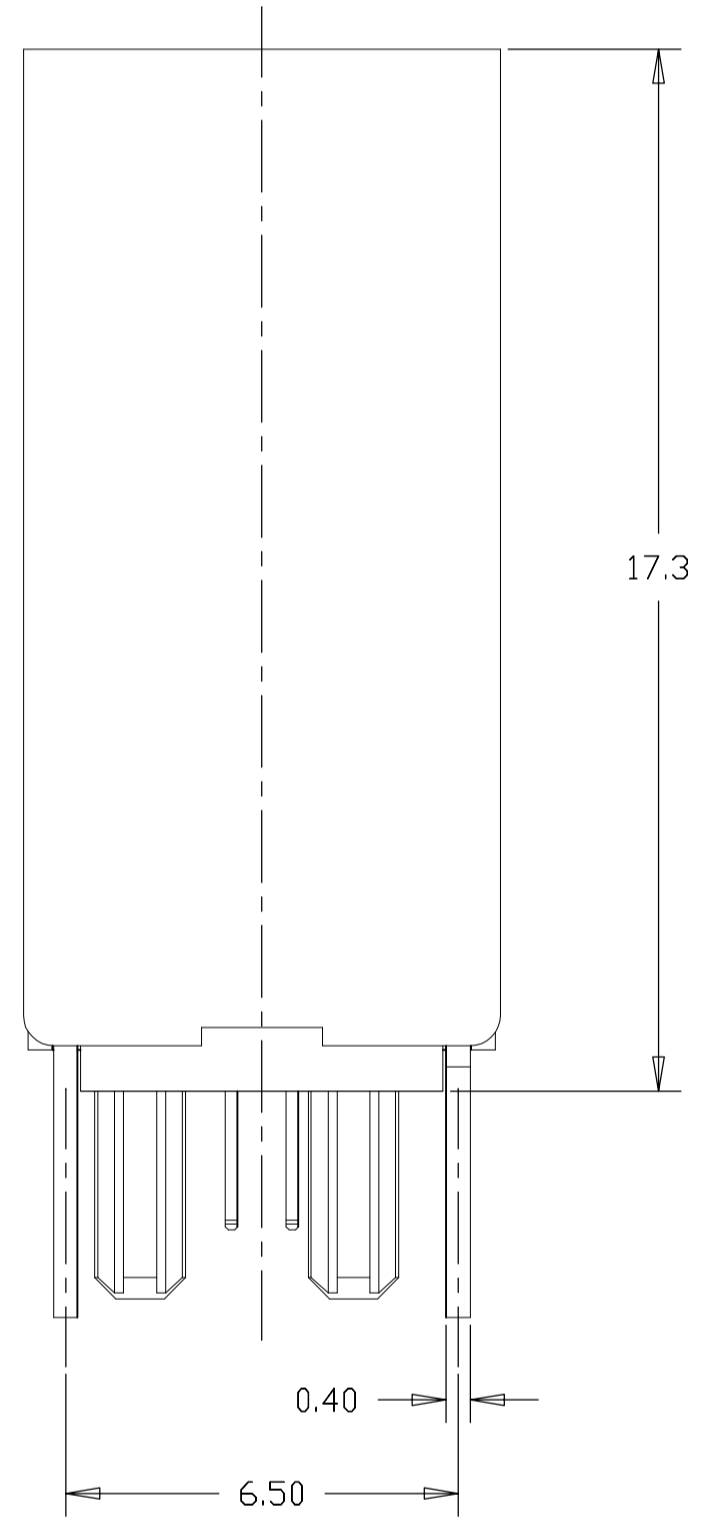
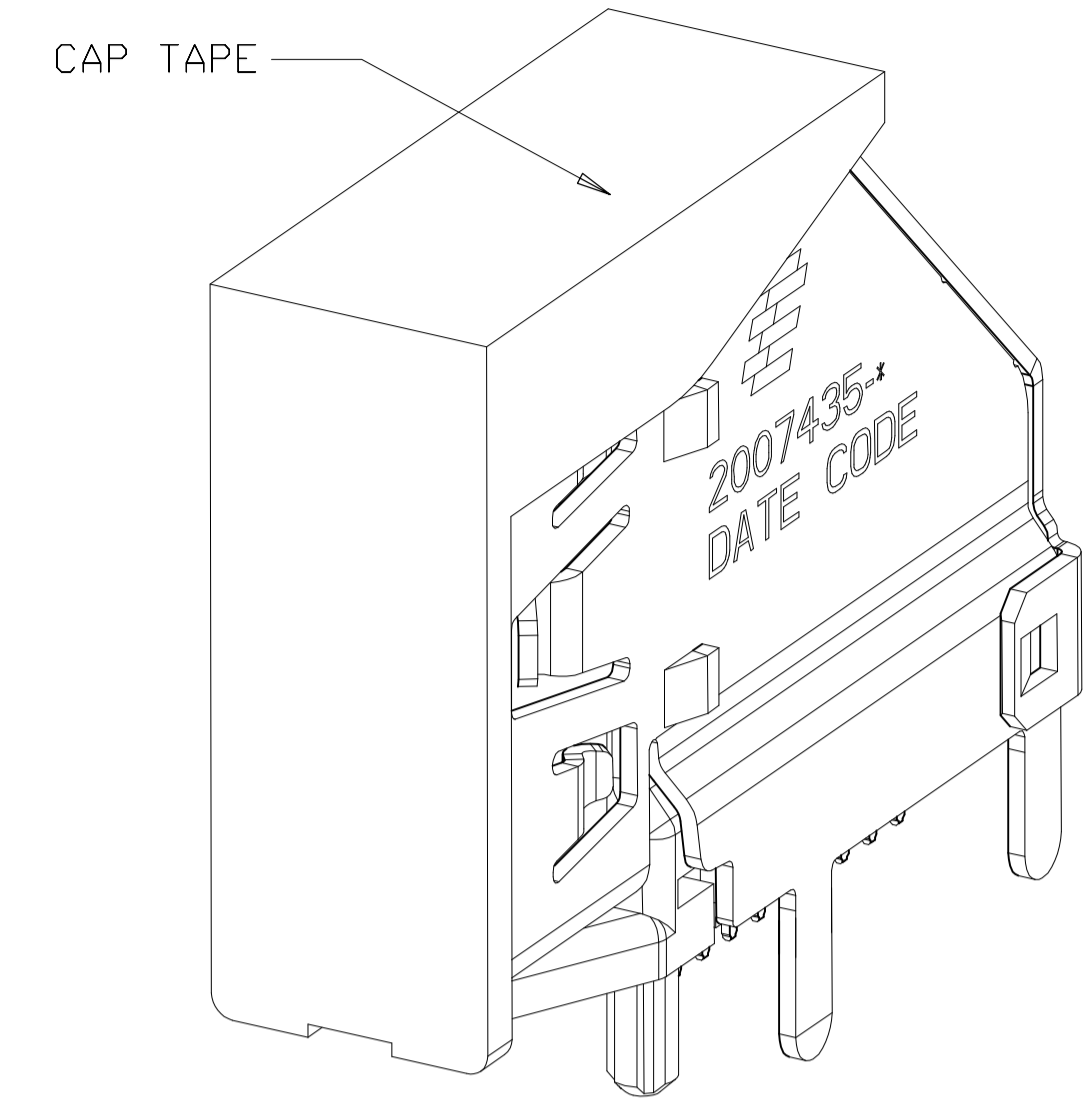
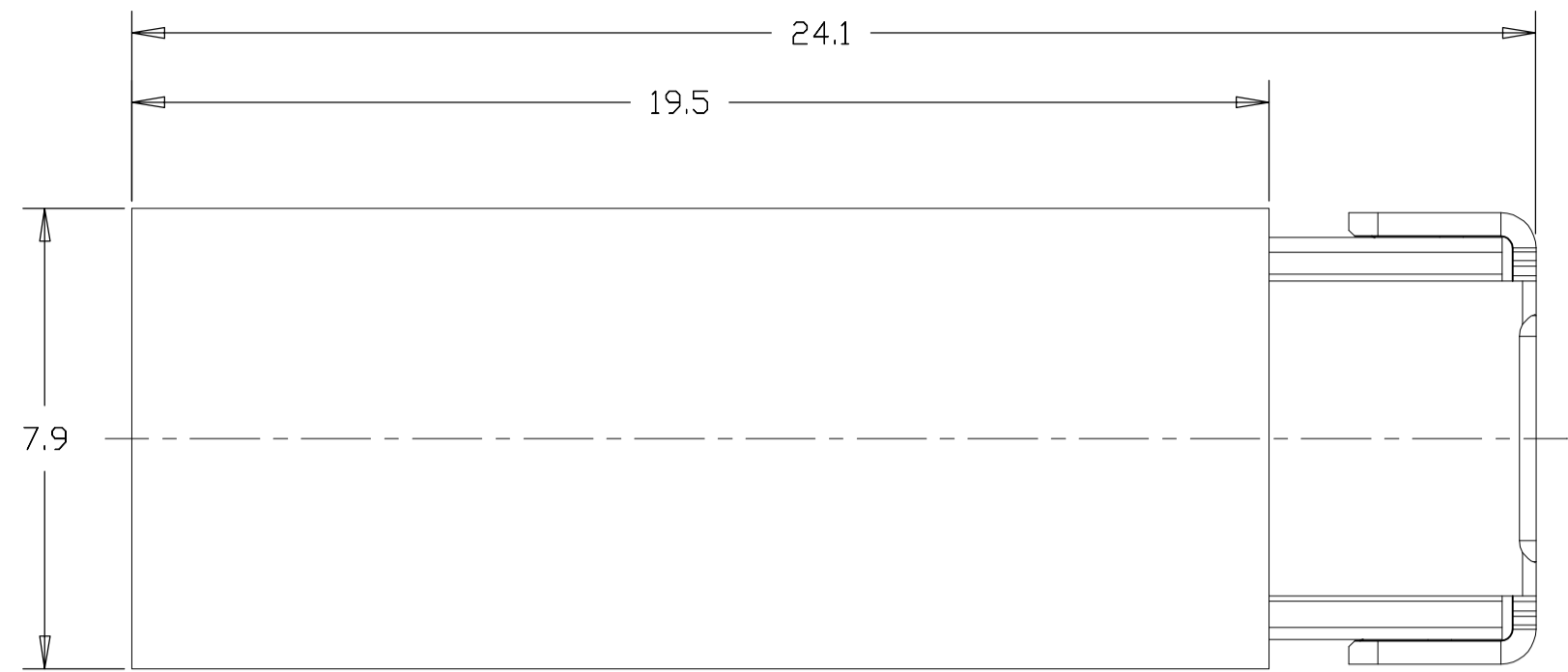


2007435-6 WITH POLYIMIDE TAPE,
UNMARKED DIMENSIONS SAME AS 2007435-1
SCALE 6:1



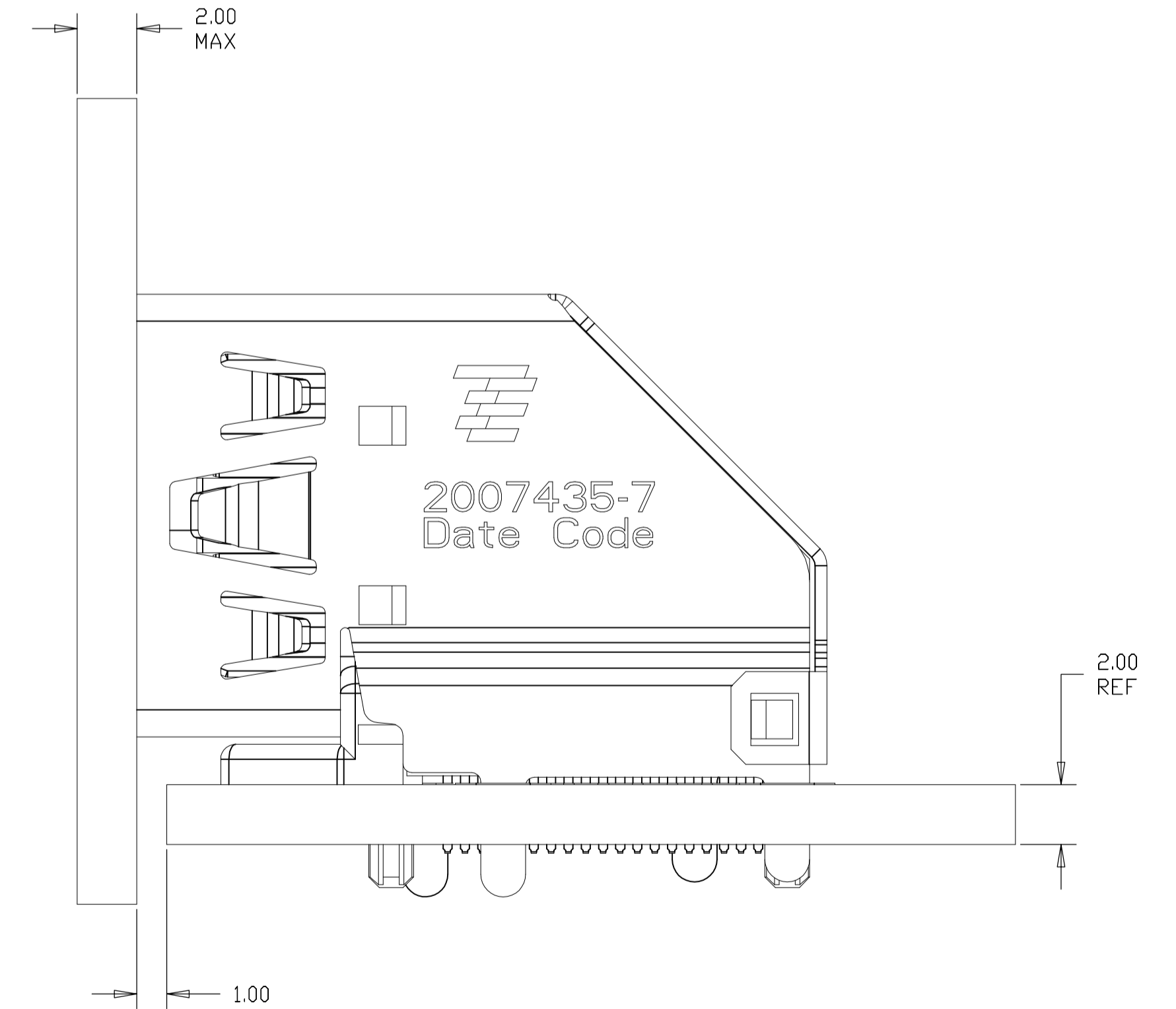
THIS DRAWING IS A CONTROLLED DOCUMENT.		DIN		STE TE Connectivity	
DIMENSIONS: mm		TOLERANCES UNLESS OTHERWISE SPECIFIED:		NAME	
<ul style="list-style-type: none"> 0. PLC ± 0.3 1. PLC ± 0.25 2. PLC ± 0.10 3. PLC ± 0.10 4. PLC ± 0.10 ANGLES ± - 		<ul style="list-style-type: none"> CHK APVD PRODUCT SPEC APPLICATION SPEC 		HDMI FLAG CONNECTOR ASSEMBLY	
MATERIAL SEE TABLE		FINISH		SIZE CAGE CODE DRAWING NO. RESTRICTED TO	
		<ul style="list-style-type: none"> 2 		A1 00779 C=2007435	
		CUSTOMER DRAWING		SCALE 8:1 SHEET 5 OF 10 REV D2	

LOC		DIST		REVISIONS			
P	LTR	DESCRIPTION	DATE	OWN	APVD		
-	-	SEE SHEET 1	-	-	-	-	-

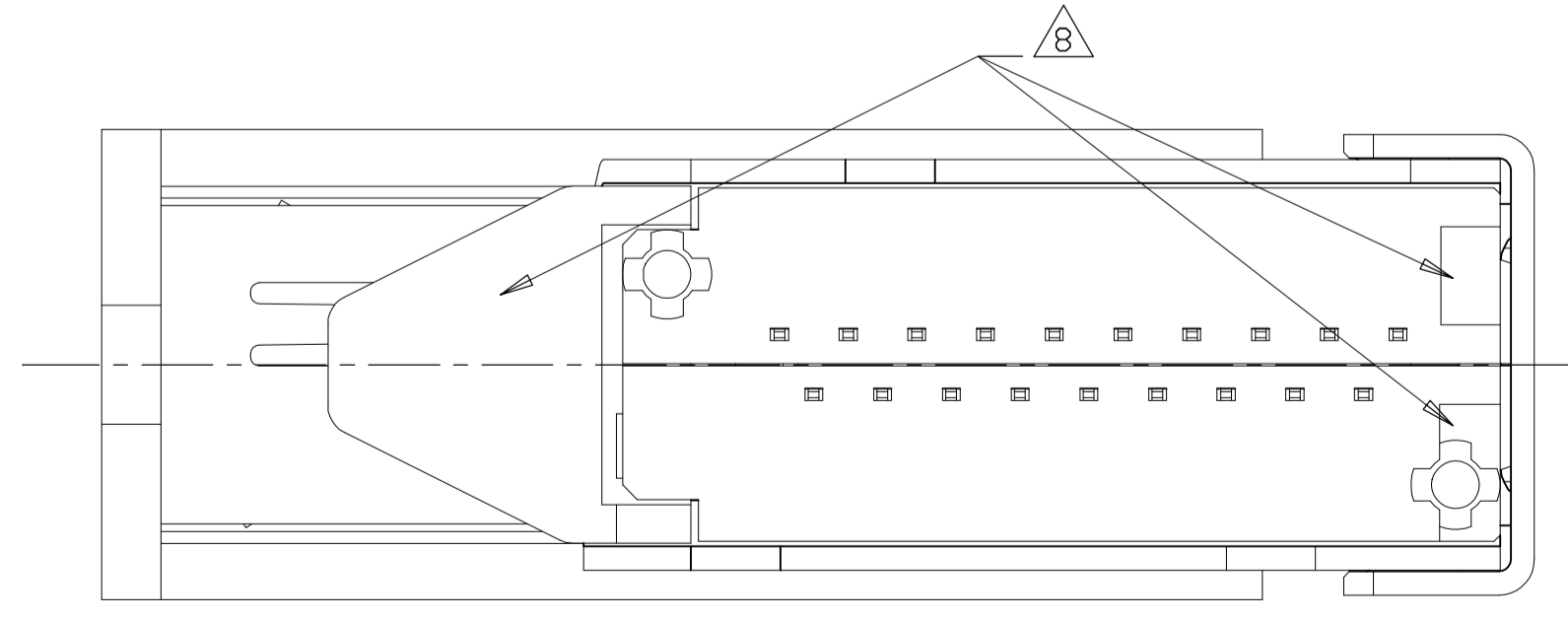


2007435-7 WITH CAP,
 UNMARKED DIMENSIONS SAME AS 2007435-1

SCALE 6:1

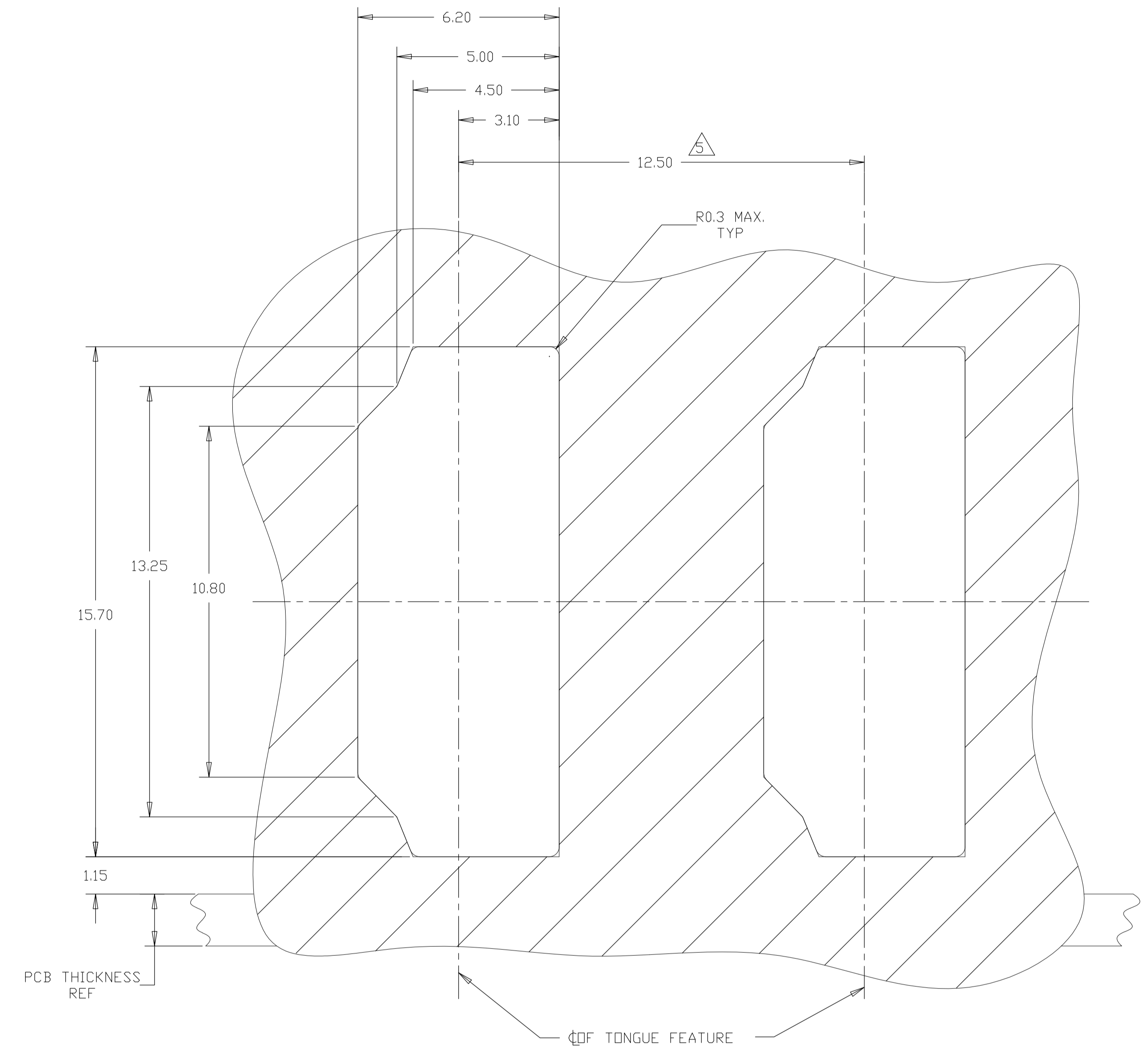
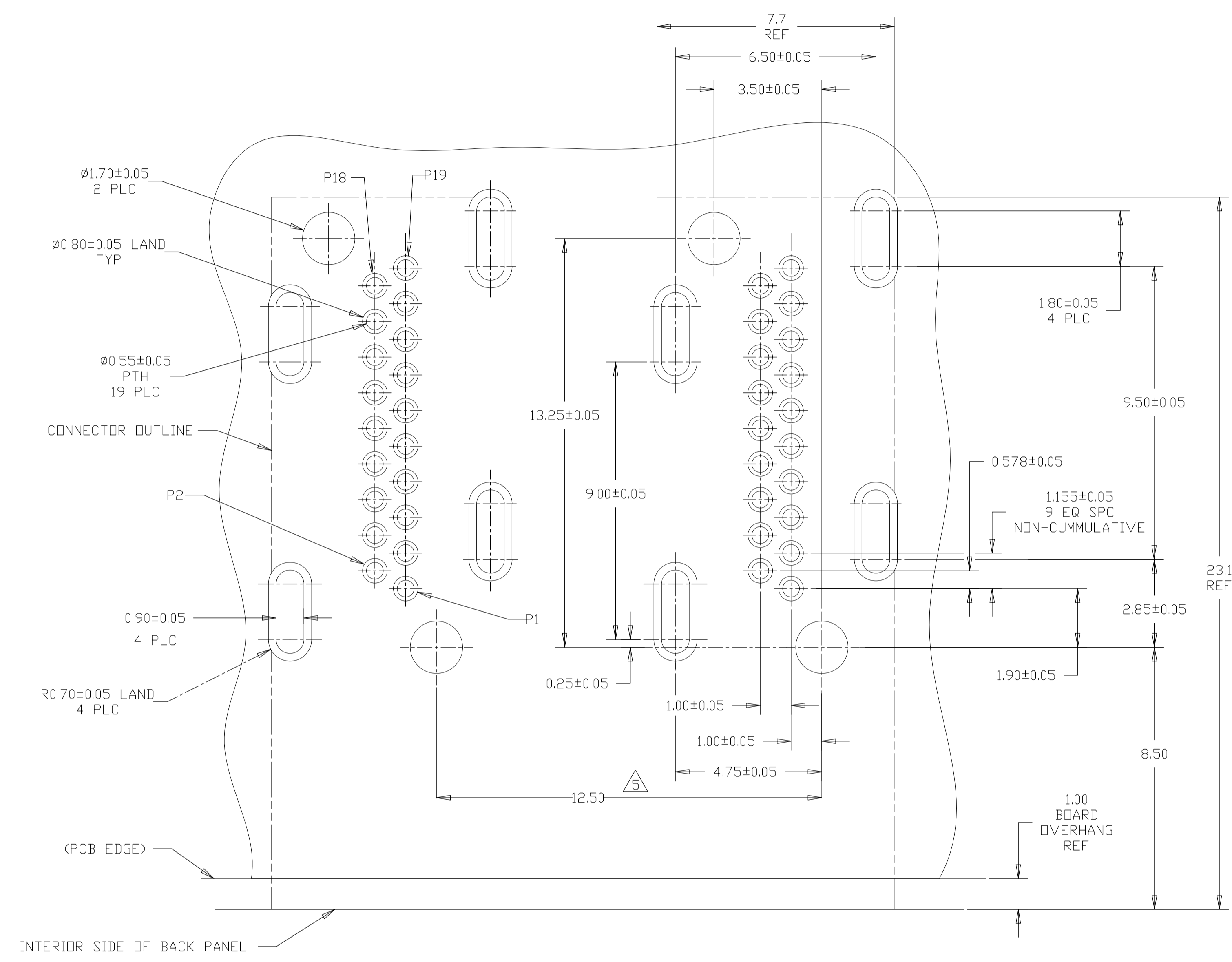


INSTALLED CONDITION
 (ONLY FOR AFTER REMOVE CAP)
 SCALE 6:1



THIS DRAWING IS A CONTROLLED DOCUMENT.		DWN	TE Connectivity	
DIMENSIONS: mm		CHK	NAME	
TOLERANCES UNLESS OTHERWISE SPECIFIED:		APVD	HDMI FLAG CONNECTOR ASSEMBLY	
0 PLC	± 0.3	PRODUCT SPEC	SIZE	CAGE CODE
1 PLC	± 0.25	APPLICATION SPEC	A1	00779
2 PLC	± 0.10	WEIGHT	©=2007435	RESTRICTED TO
3 PLC	± 0.10	FINISH	SCALE 8:1	SHEET 6 OF 10
4 PLC	± 0.10	SEE TABLE	CUSTOMER DRAWING	REV D2
ANGLES	±			

LOC		DIST		REVISIONS			
P	LTR	DESCRIPTION	DATE	DNW	APVD		
-	-	SEE SHEET 1	-	-	-	-	-

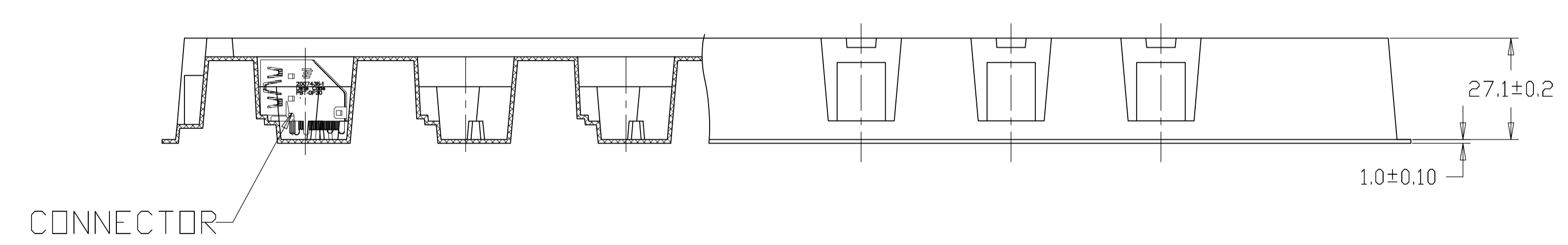
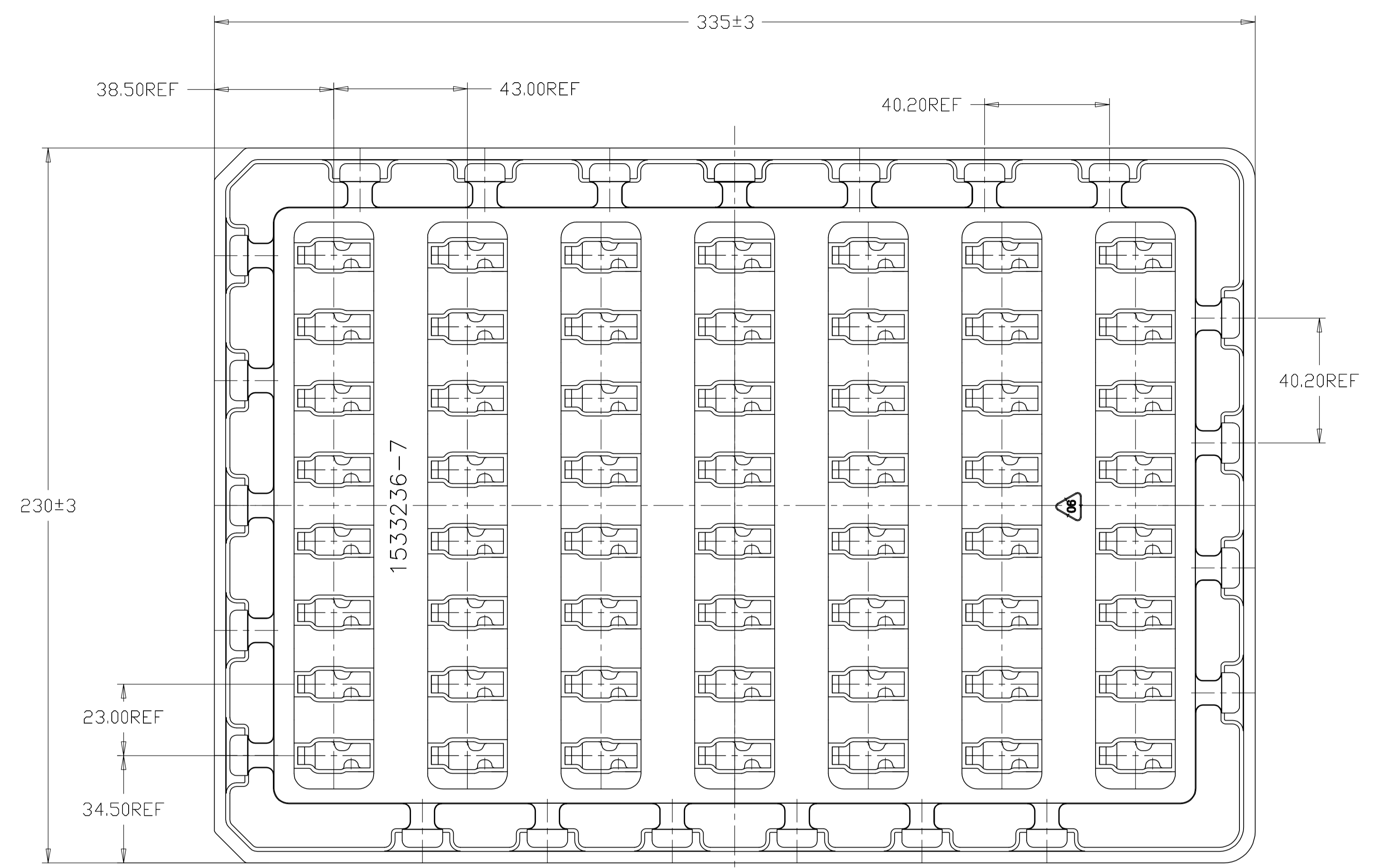


PCB LAYOUT SCALE 10:1

RECOMMENDED PANEL CUTOUT SCALE 10:1

THIS DRAWING IS A CONTROLLED DOCUMENT.		DIN		TE Connectivity	
DIMENSIONS: mm		TOLERANCES UNLESS OTHERWISE SPECIFIED:		NAME	
<ul style="list-style-type: none"> 0 PLC ± - 1 PLC ± 0.1 2 PLC ± 0.10 3 PLC ± 0.100 4 PLC ± 0.1000 ANGLES ± - 		APVD		HDMI FLAG CONNECTOR ASSEMBLY	
MATERIAL		FINISH		PRODUCT SPEC	
				APPLICATION SPEC	
				SIZE CAGE CODE DRAWING NO	
				A1 00779 C=2007435	
				RESTRICTED TO	
				CUSTOMER DRAWING	
				SCALE 8:1 SHEET 7 OF 10 REV D2	

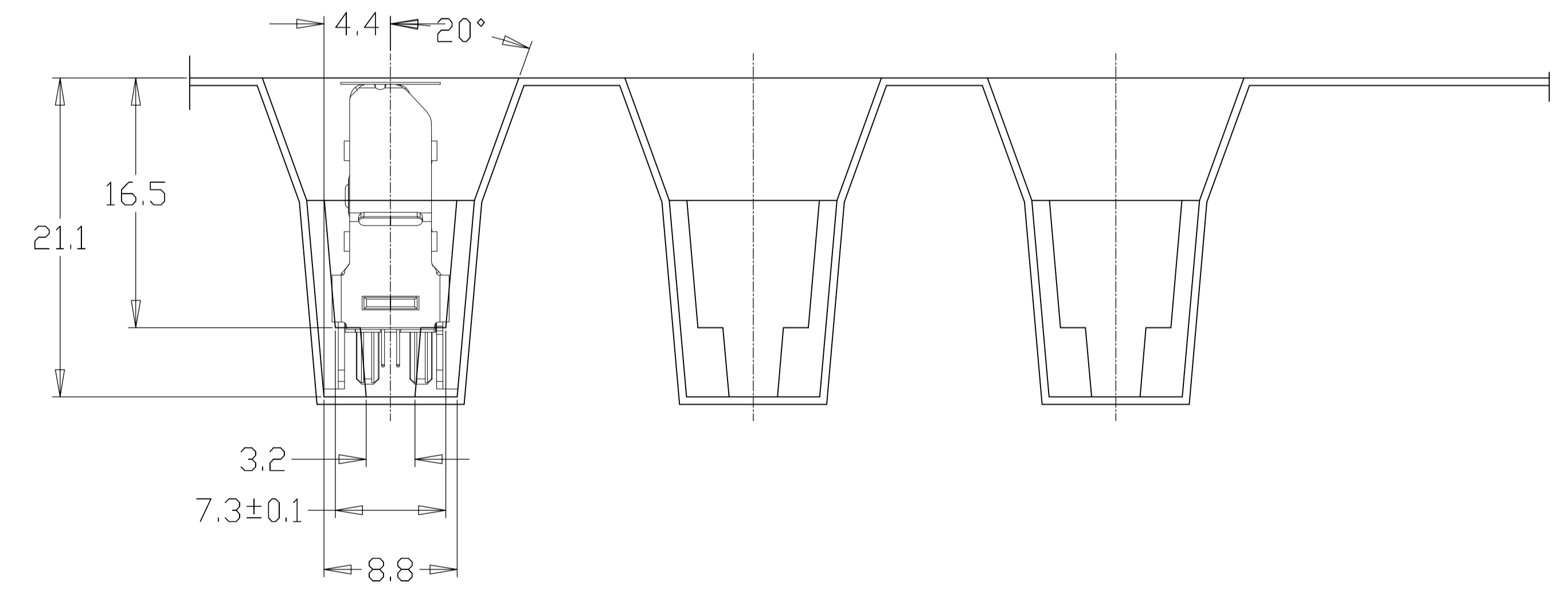
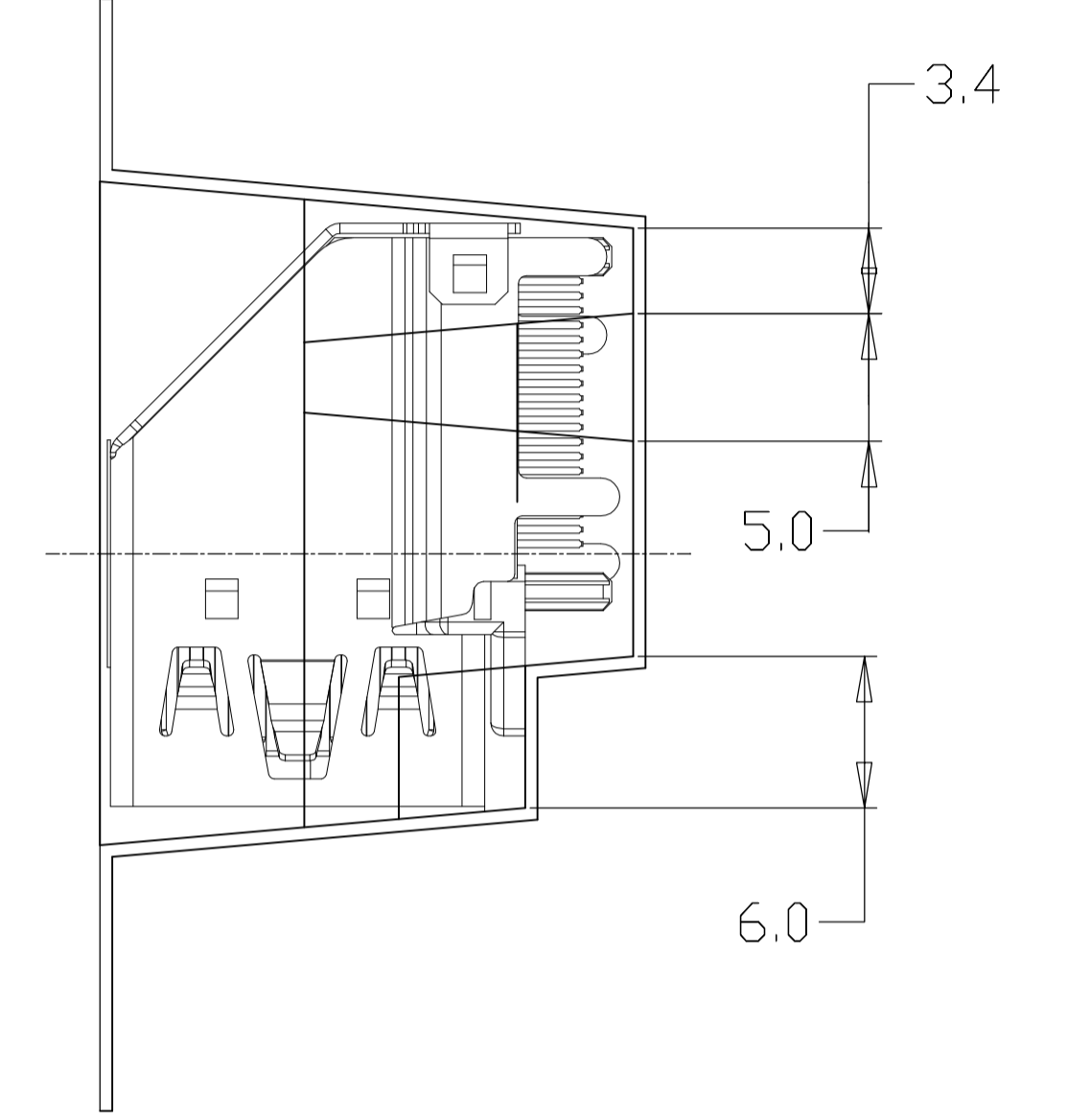
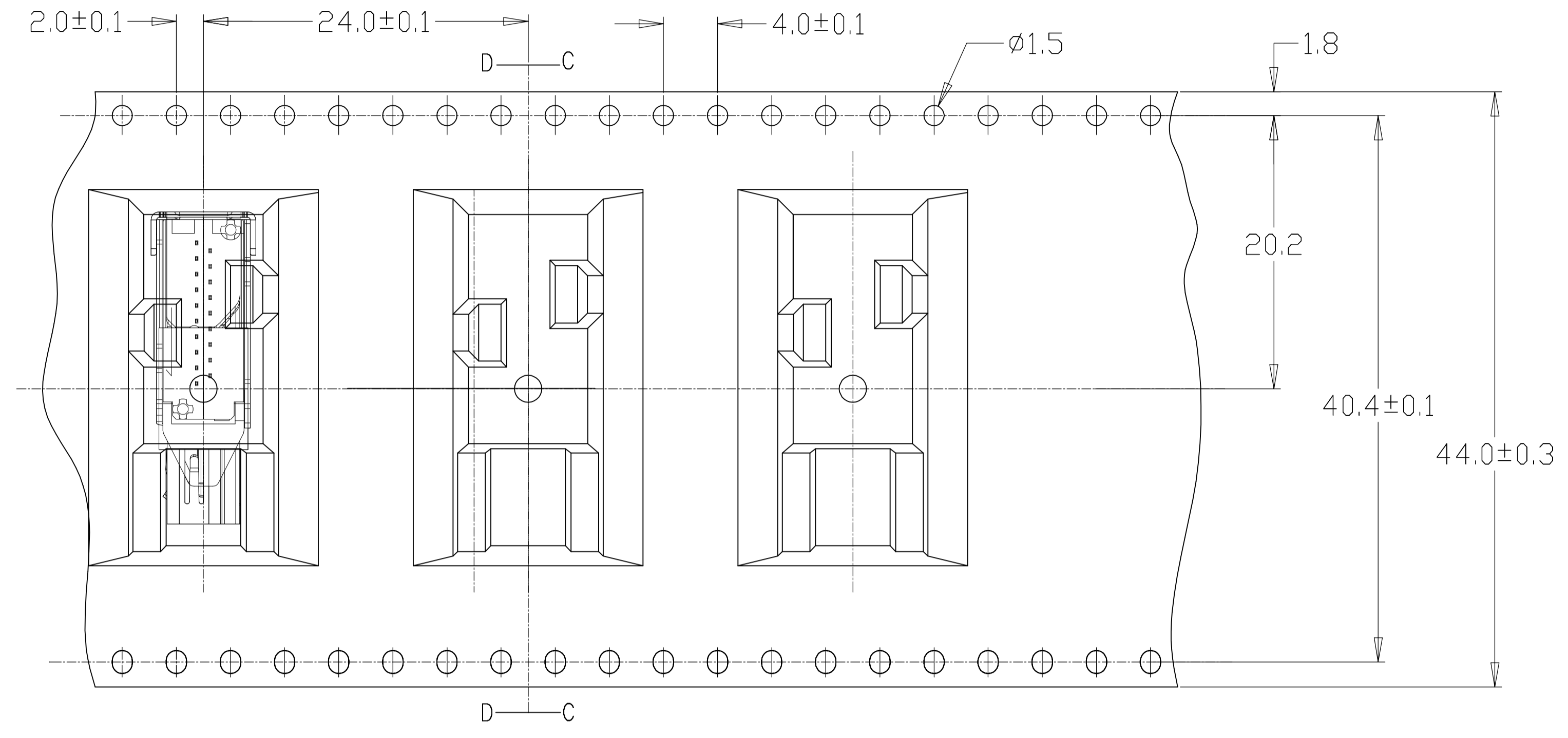
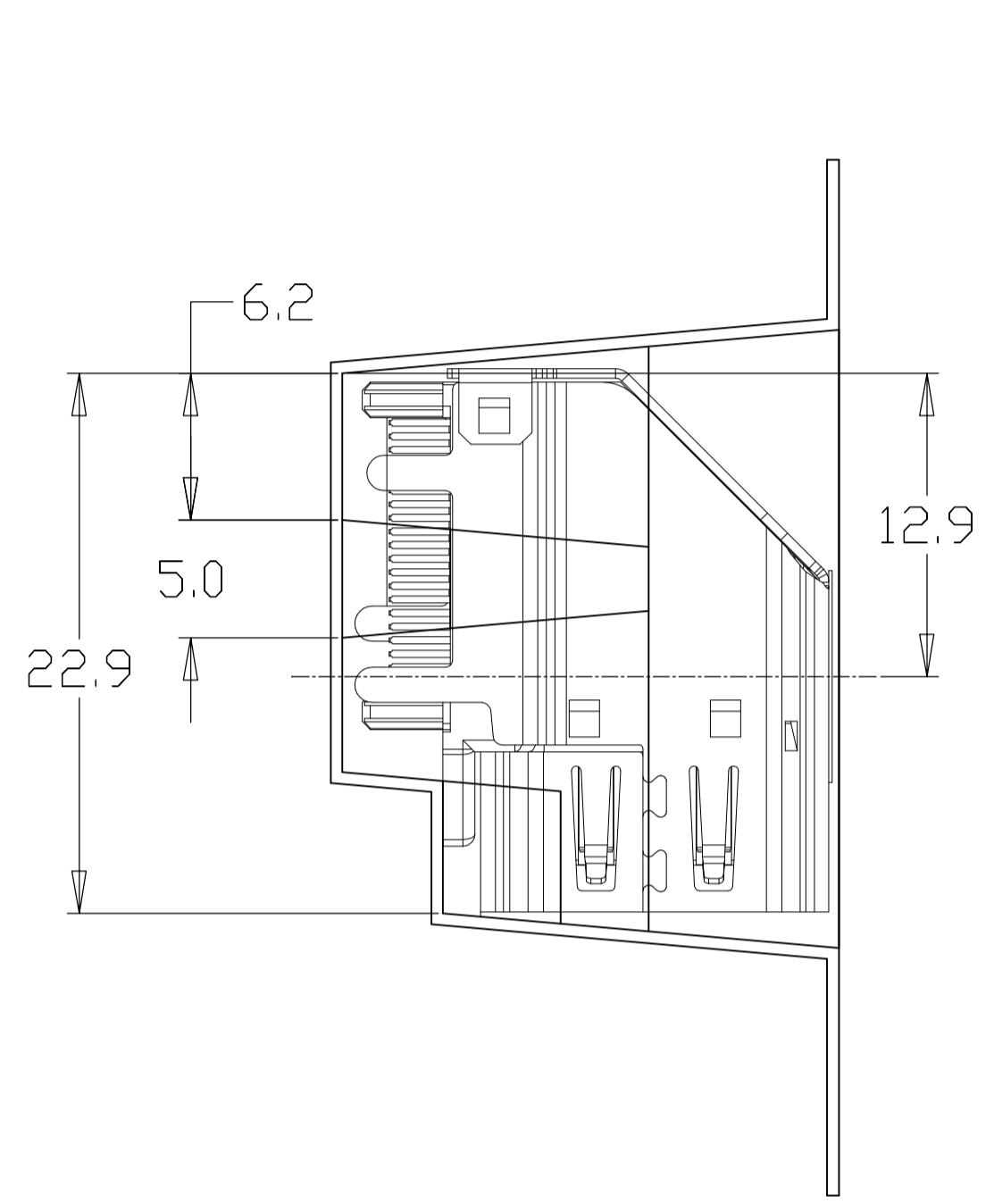
LOC		DIST		REVISIONS			
P	LTR	DESCRIPTION	DATE	DN	APVD		
-	-	SEE SHEET 1	-	-	-	-	-



PACKAGE TRAY
FOR PART NUMBER
2007435-1,-2,-3,-4,-5
2-2007435-1

THIS DRAWING IS A CONTROLLED DOCUMENT.		DIN		TE Connectivity	
DIMENSIONS: mm		CHK			
TOLERANCES UNLESS OTHERWISE SPECIFIED:		APVD		NAME	
0. PLC	±	PRODUCT SPEC		HDMI FLAG CONNECTOR ASSEMBLY	
1. PLC	±	APPLICATION SPEC		-	
2. PLC	±	WEIGHT		-	
3. PLC	±	MATERIAL		-	
4. PLC	±	FINISH		-	
ANGLES	±	CUSTOMER DRAWING		-	
SIZE: A1		CAGE CODE: 00779		DRAWING NO: 2007435	
SCALE: N/A		SHEET: 8 OF 10		REV: D2	

LOC		DIST		REVISIONS			
P	LTR	DESCRIPTION	DATE	DN	APVD		
-	-	SEE SHEET 1	-	-	-	-	-



EMBOSS TAPE
FOR PART NUMBER 2007435-6

THIS DRAWING IS A CONTROLLED DOCUMENT.		DIN		STE TE Connectivity	
DIMENSIONS: mm		TOLERANCES UNLESS OTHERWISE SPECIFIED:		NAME	
<ul style="list-style-type: none"> 0. PLC ± 0.3 1. PLC ± 0.15 2. PLC ± 0.10 3. PLC ± 0.10 4. PLC ± 0.10 ANGLES ± - 		APVD		HDMI FLAG CONNECTOR ASSEMBLY	
MATERIAL		FINISH		APPLICATION SPEC	
CUSTOMER DRAWING		SCALE N/A		RESTRICTED TO	
SIZE A1		CAGE CODE 00779		DRAWING NO. C=2007435	
WEIGHT		SHEET 9		OF 10	
		REV D2			