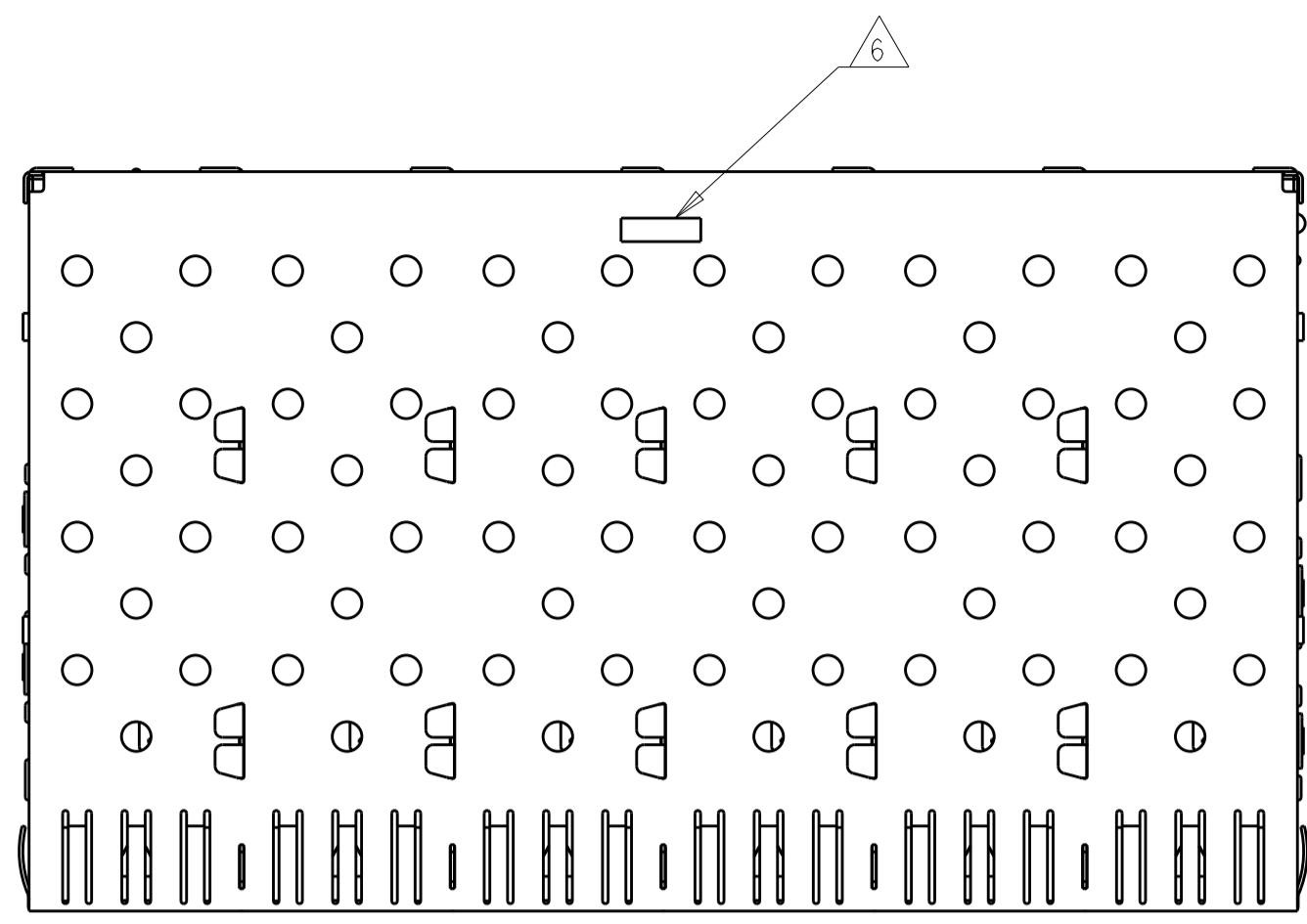


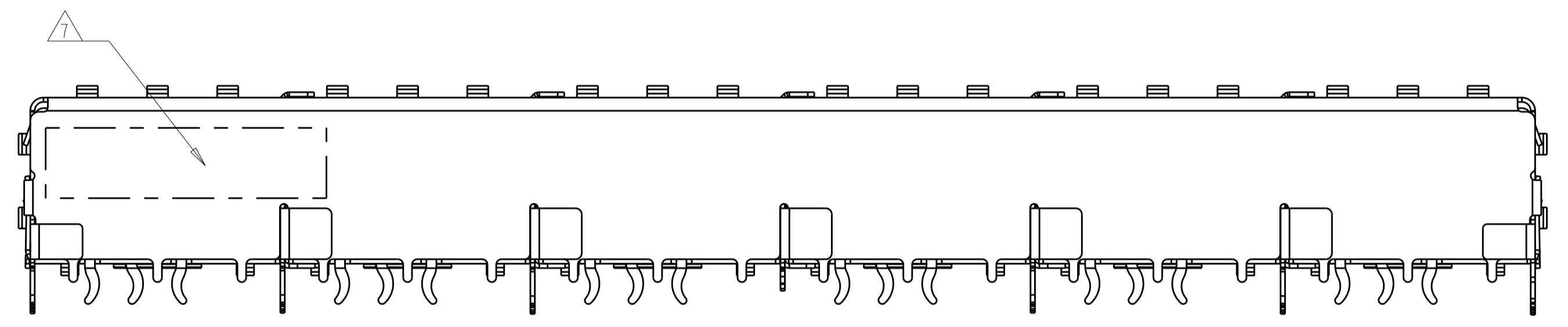
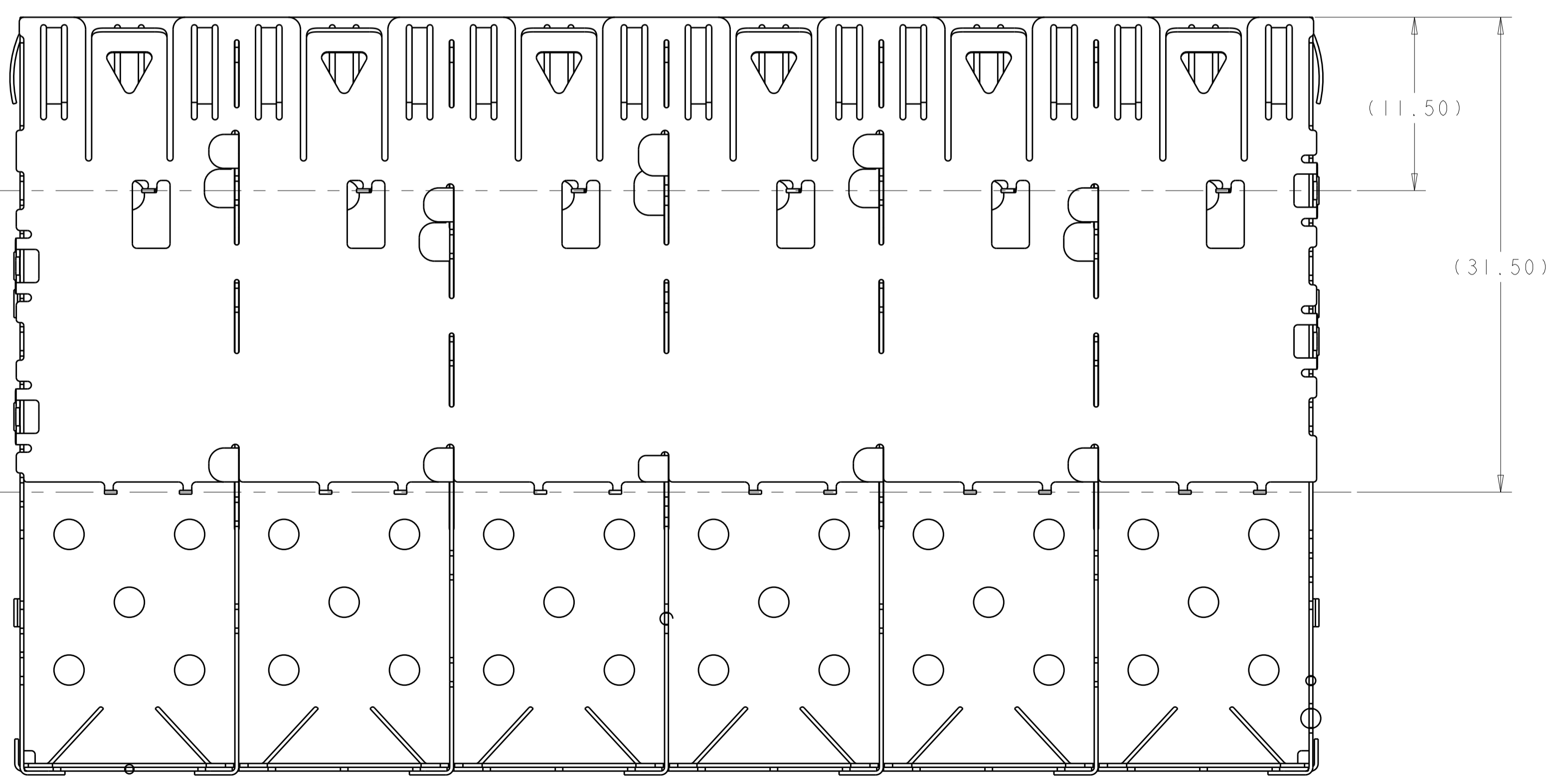
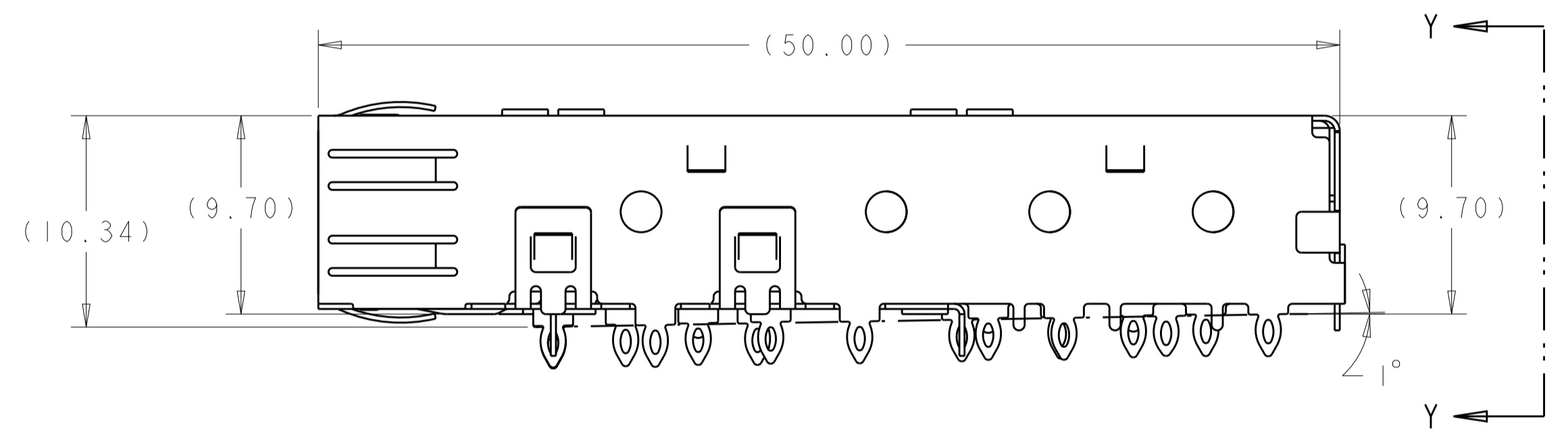
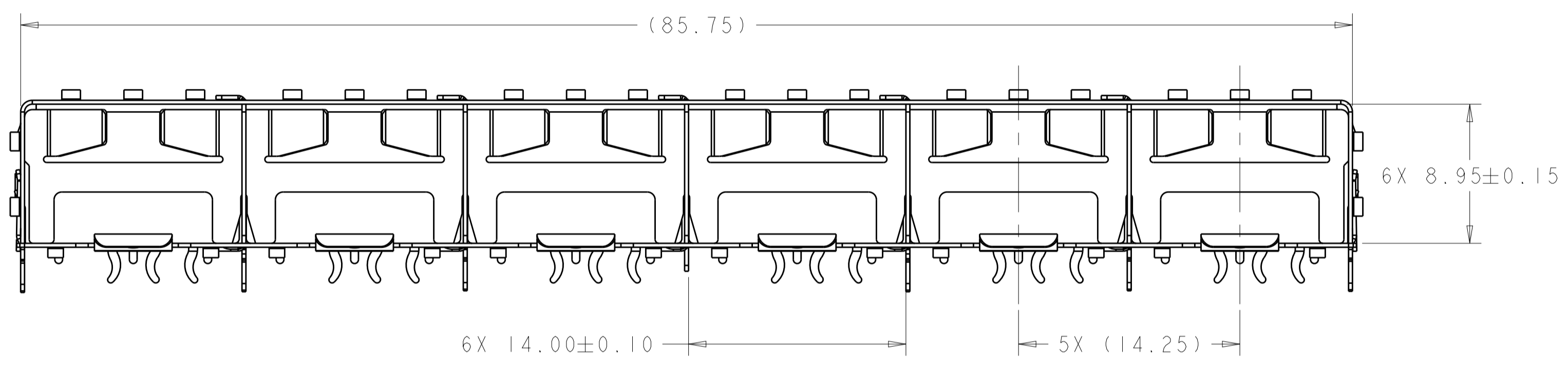
LOC	DIST	REV	DATE	BY	CHKD	APVD
GP	00					

REVISIONS						
REV	DATE	BY	CHKD	APVD	DESCRIPTION	DATE
B	03AUG10	HMR	JP		ECO-10-015550	
C	20FEB2014	JW	SH		REVISED PER ECO-14-000886	
C1	11JUL2014	JW	SH		REVISED PER ECO-14-010419	
D	25SEP2015	JW	SH		REVISED PER ECO-15-013594	

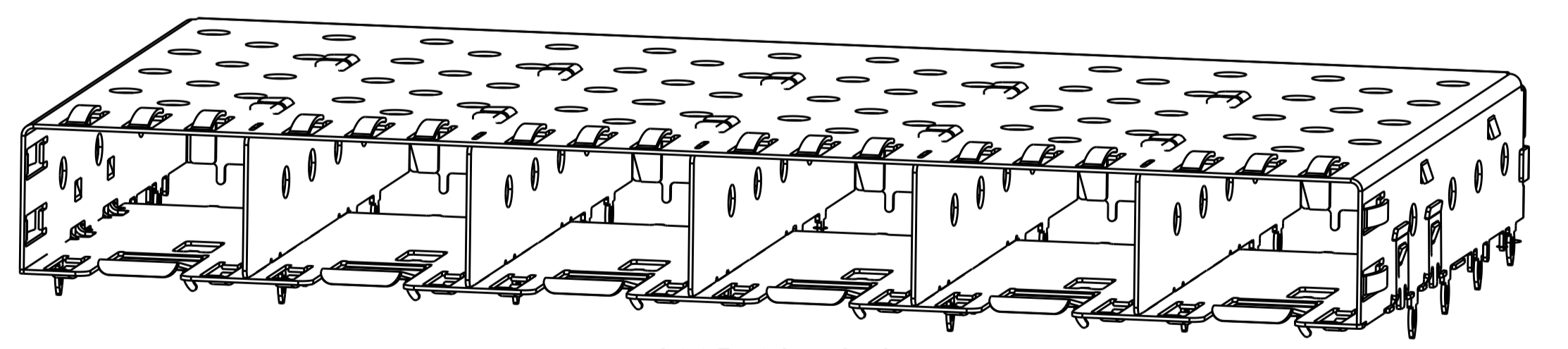


SCALE 2:1

- △ MATERIAL: COPPER ALLOY
- △ TIN PLATING PER ASTM B 545, 1.25µm MINIMUM THICKNESS. ALL OVER NICKEL FLASH PER QQ-N-290. NON PLATED EDGES ARE PERMISSIBLE.
- △ DATUM AND BASIC DIMENSIONS ESTABLISHED BY CUSTOMERS.
- △ PADS AND VIAS CHASSIS GROUND.
- △ REFERENCE APPLICATION SPEC 114-13120, HOLE A, FOR RECOMMENDED DRILL HOLE DIAMETER AND PLATING THICKNESSES
- △ COMPANY LOGO IN APPROXIMATE AREA SHOWN
- △ DATE CODE AND PART NUMBER IN APPROXIMATE LOCATION SHOWN
- △ NICKEL SILVER ALLOY(NO PLATING)



SECTION Y-Y



2007498-1&2
SCALE 3:1

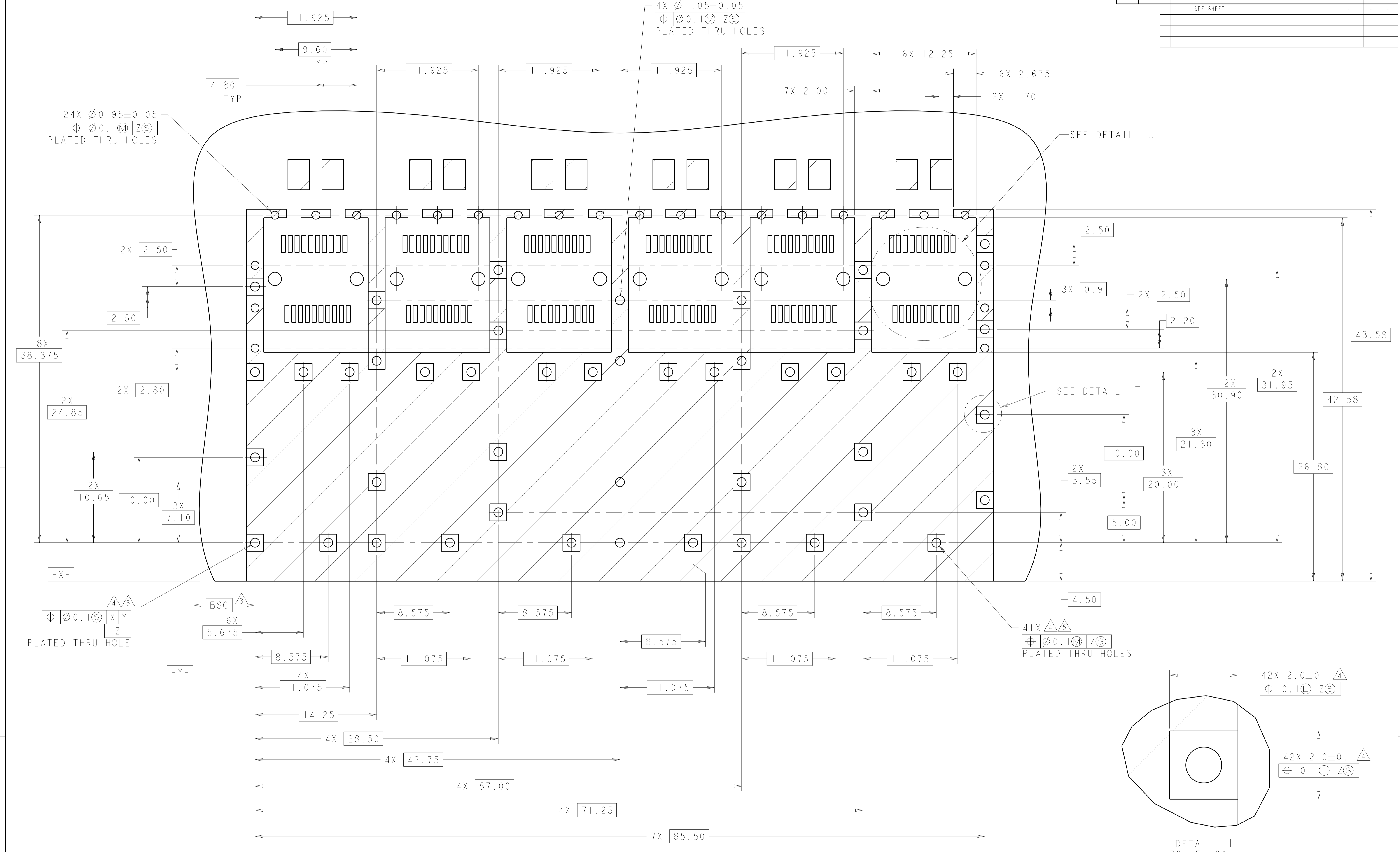
SUPERSEDED BY:
2007498-2

NO	MATERIAL	DESCRIPTION	PART NUMBER
NO	△ 8	1X6 CAGE ASSEMBLY	2007498-2
△ 7	△ 8	1X6 CAGE ASSEMBLY	2007498-1

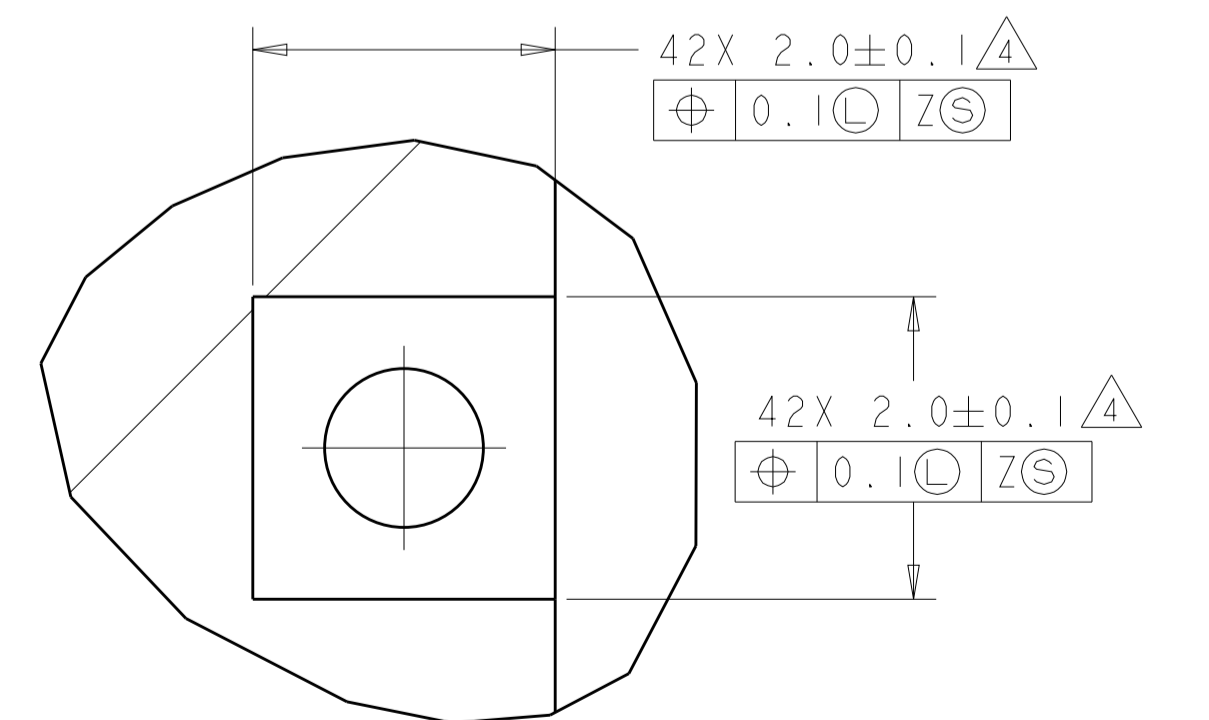
FINISH	MATERIAL	DESCRIPTION	PART NUMBER

THIS DRAWING IS A CONTROLLED DOCUMENT.		DWN B MCMASTER 03DEC07	TE Connectivity
DIMENSIONS:		CHK J KOPPENHEFFER 03DEC07	
TOLERANCES UNLESS OTHERWISE SPECIFIED:		APVD J KOPPENHEFFER 03DEC07	
mm		PRODUCT SPEC	
0 PLC	±	APPLICATION SPEC	NAME ASSEMBLY, CAGE, PRESS FIT, 1X6, PCI, SFP
1 PLC	±	WEIGHT	SIZE CAGE CODE DRAWING NO
2 PLC	±	CUSTOMER DRAWING	A100779C=2007498
3 PLC	±	SCALE 4:1	SHEET 1 OF 3
4 PLC	±	REV D	
ANGLES	±		
FINISH			

LOC	DIST	REVISIONS			
GP	00	REV	DATE	BY	APPV
-	-	SEE SHEET 1	-	-	-



RECOMMENDED PCB CONFIGURATION
SCALE 5:1



DETAIL T
SCALE 20:1

THIS DRAWING IS A CONTROLLED DOCUMENT.		DWN B. MCMASTER	03DEC07	 TE Connectivity
DIMENSIONS:		CHK J. KOPPENHEFFER	03DEC07	
mm	TOLERANCES UNLESS OTHERWISE SPECIFIED:	APVD J. KOPPENHEFFER	03DEC07	NAME ASSEMBLY, CAGE, PRESS FIT, 1X6, PCI, SFP
 0 PLC ± 1 PLC ± 2 PLC ± 3 PLC ± 4 PLC ± ANGLES ±	FINISH	PRODUCT SPEC	APPLICATION SPEC	SIZE A100779C=2007498
MATERIAL		WEIGHT		RESTRICTED TO
		CUSTOMER DRAWING	SCALE 4:1	SHEET 2 OF 3