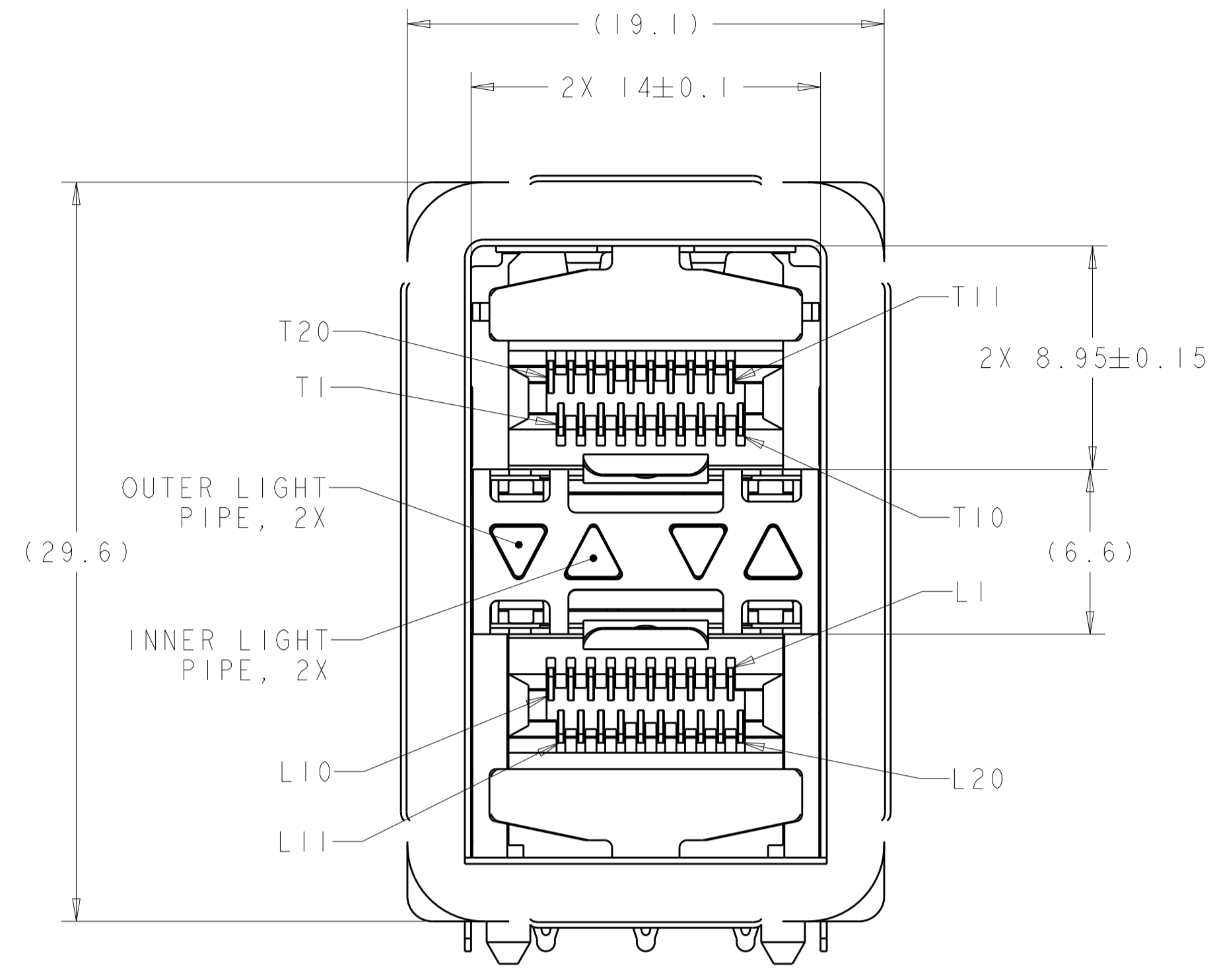
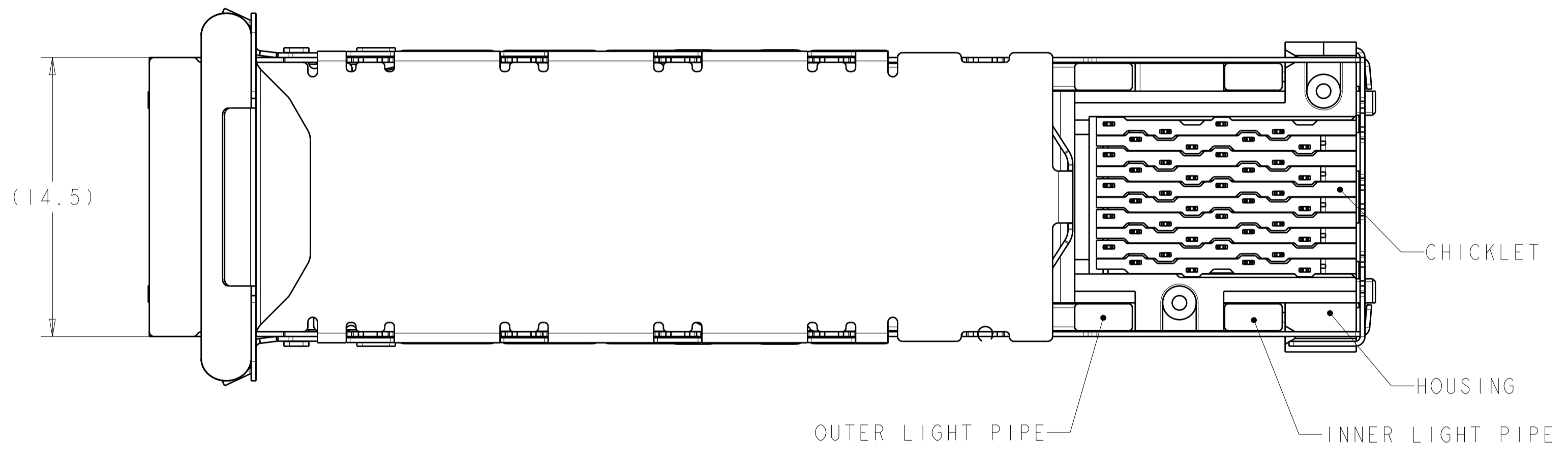
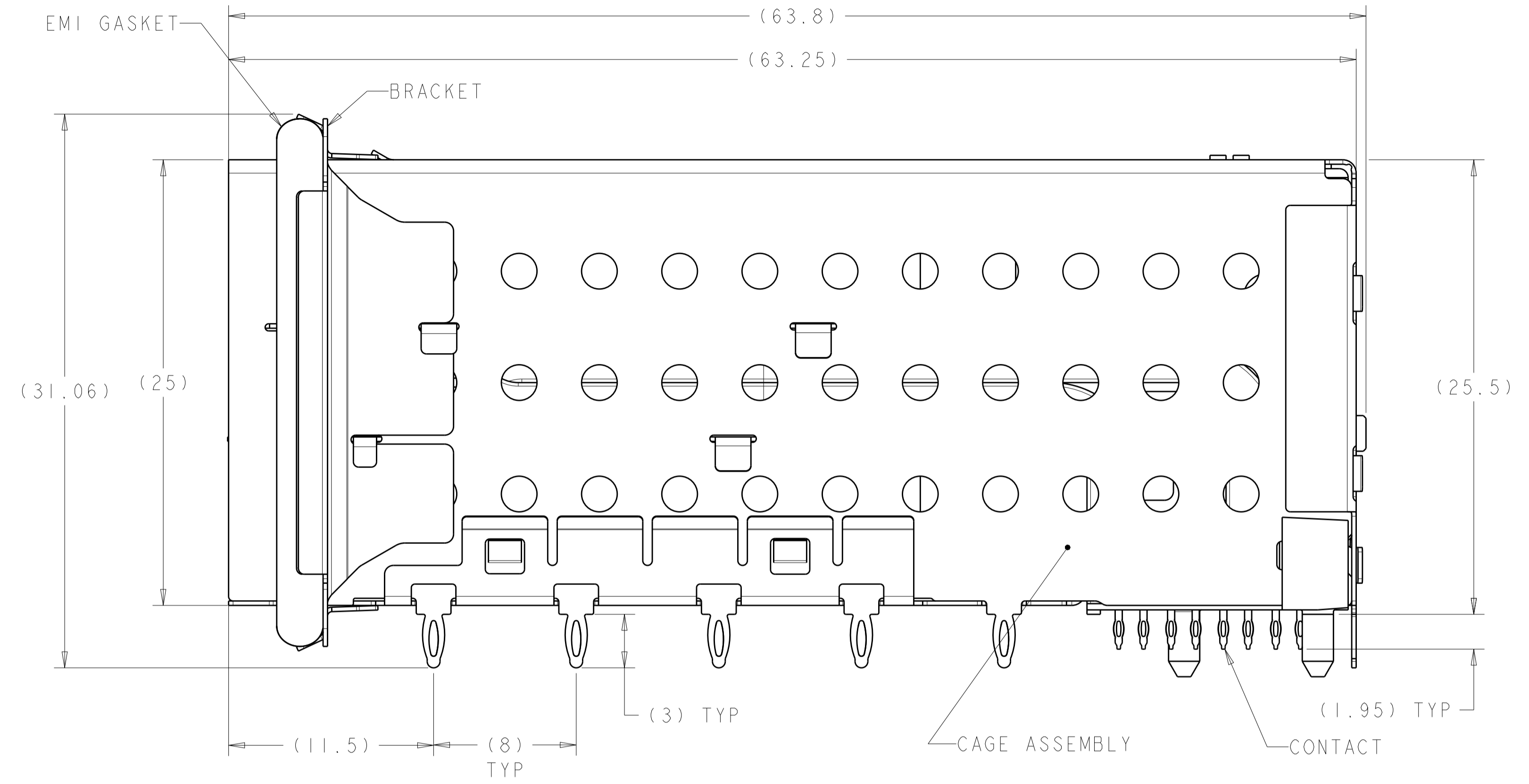


REVISIONS				
P.	LTN	DESCRIPTION	DATE	OWN APVD
D		REVISED PER ECO-15-017922	09APR2016	AP RP
E		REVISED PER ECR-19-011161	14JAN2020	IT SH



2007538-5 AS SHOWN



- ⚠ MATERIALS:  
 CAGE ASSEMBLY- NICKEL SILVER ALLOY PER ASTM B 122.  
 BRACKET- STAINLESS STEEL.  
 EMI GASKET- PLATED FILLED SILICONE.  
 HOUSING- BLACK LCP, UL 94V-0 RATED.  
 CHICKLET- BLACK LCP, UL 94V-0 RATED.  
 LIGHT PIPE- POLYCARBONATE, CLEAR.  
 INSERT - (FOR LIGHT PIPE PART NUMBERS ONLY) - LCP, BLACK, UL 94V-0.  
 CONTACT- COPPER ALLOY.
- ⚠ DATUM AND BASIC DIMENSIONS ESTABLISHED BY CUSTOMER.
- 3. MINIMUM PCB THICKNESS OF 1.5.
- ⚠ CONTACT FINISH- CONFORMS TO THE REQUIREMENTS OF TYCO ELECTRONICS PRODUCT SPECIFICATION 108-2331, BASED ON EIA/ECA-364-1000.01A, (CONTROLLED ENVIRONMENT APPLICATIONS) ON MATING INTERFACE, TIN-LEAD ON NEEDLE EYE.
- ⚠ CONTACT FINISH- CONFORMS TO THE REQUIREMENTS OF TYCO ELECTRONICS PRODUCT SPECIFICATION 108-2331, BASED ON EIA/ECA-364-1000.01A, (CONTROLLED ENVIRONMENT APPLICATIONS) ON MATING INTERFACE, TIN ON NEEDLE EYE.
- ⚠ FOR HOLE SIZE AND PLATINGS, SEE APPLICATION SPEC 114-13219.
- ⚠ THE ENTIRE AREA OF THE CONNECTOR FOOTPRINT, INDICATED BY THE DASHED LINE, TO BE CONSIDERED THE KEEPOUT AREA FOR COMPONENTS AND SIGNAL TRACES, TOP SIDE ONLY. TOP SIDE TRACES ALLOWED WITHIN CONNECTOR HOLE PATTERN.
- ⚠ LIGHT PIPE PAD LAYOUT IS FOR 0805 LOW PROFILE LED PACKAGE WITH A HEIGHT OF 0.8mm.
- ⚠ ADDITIONAL COMPONENT LOCATED WITHIN LATCHPLATE FOR EMI SUPPRESSION.

YES <sup>9</sup>	<sup>5</sup>	NO LIGHT PIPES	1-2007538-8
YES <sup>9</sup>	<sup>5</sup>	OUTER 2 LIGHT PIPES	1-2007538-7
		INNER 2 LIGHT PIPES	1-2007538-6
		4 LIGHT PIPES	1-2007538-5
NO	<sup>5</sup>	NO LIGHT PIPES	2007538-8
		OUTER 2 LIGHT PIPES	2007538-7
		INNER 2 LIGHT PIPES	2007538-6
SUPERSEDED	NO	4 LIGHT PIPES	2007538-5
		NO LIGHT PIPES	2007538-4
		OUTER 2 LIGHT PIPES	2007538-3
ENHANCED EMI FINISH	<sup>4</sup>	INNER 2 LIGHT PIPES	2007538-2
		4 LIGHT PIPES	2007538-1
		DESCRIPTION	PART NUMBER

THIS DRAWING IS A CONTROLLED DOCUMENT. DWN: M. SHIRK 03JAN2007  
 CHK: D. SZCZESNY 03JAN2007  
 APVD: D. SZCZESNY 03JAN2007

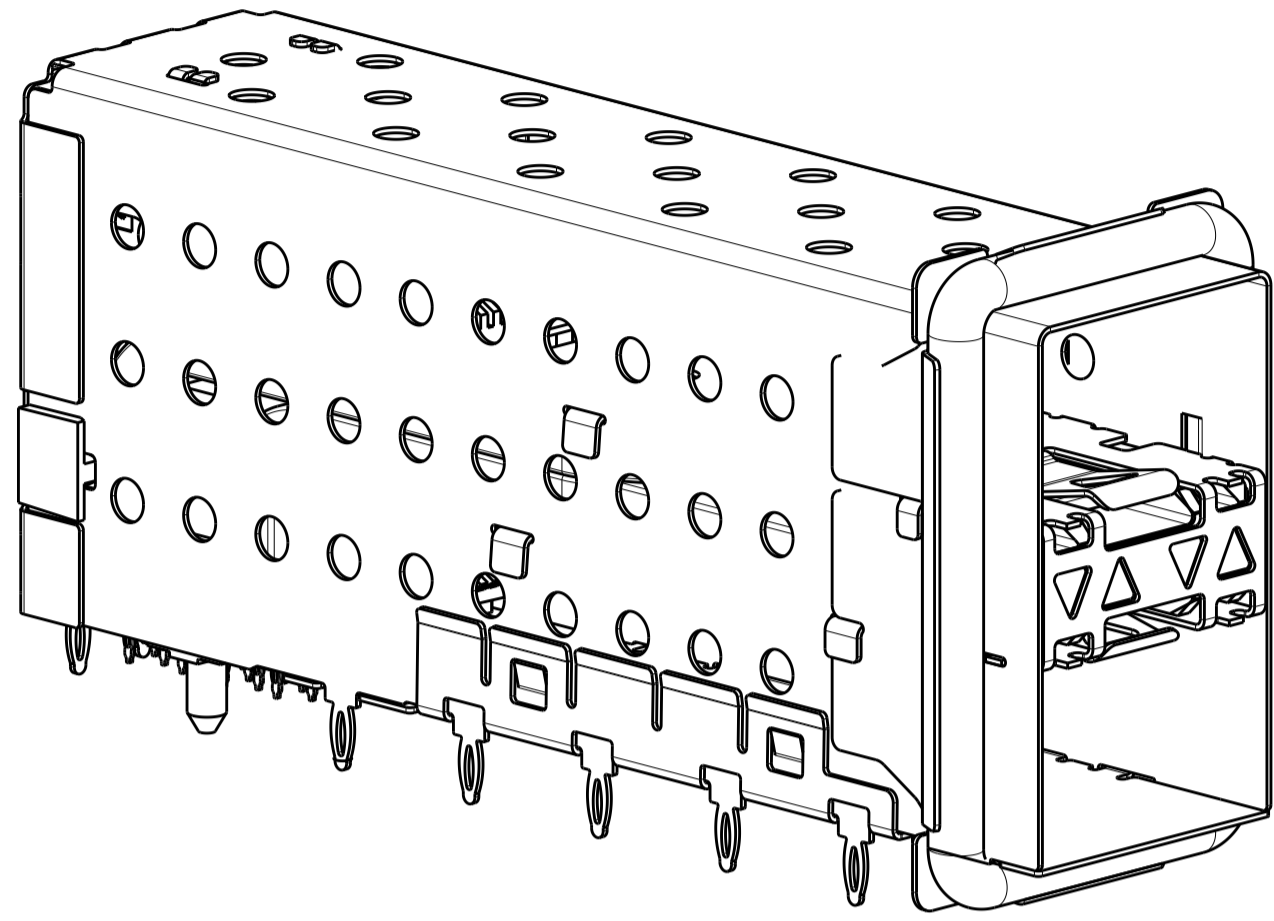
DIMENSIONS: mm  
 TOLERANCES UNLESS OTHERWISE SPECIFIED:  
 0 PLC ±0.10  
 1 PLC ±0.10  
 2 PLC ±0.10  
 3 PLC ±0.10  
 4 PLC ±0.10  
 ANGLES ±°

MATERIAL: <sup>1</sup>  
 FINISH: <sup>4</sup> <sup>5</sup>

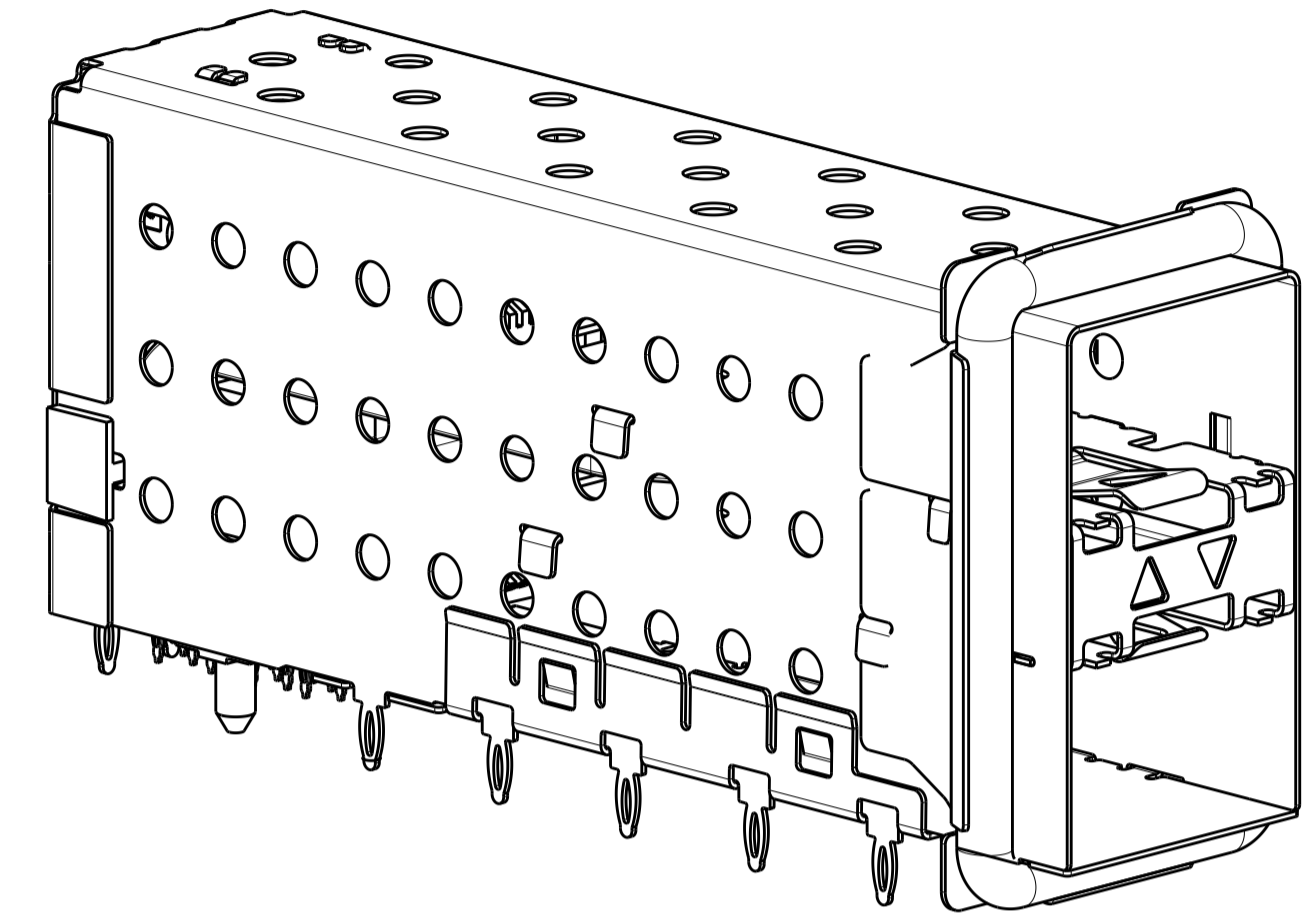
NAME: CAGE AND PT CONNECTOR ASSEMBLY, WITH EMI GASKET, PRESS FIT, 2X1, STACKED SFP+  
 PRODUCT SPEC: 108-2331  
 APPLICATION SPEC: 114-13219  
 SIZE: 114-13219  
 WEIGHT: -  
 CUSTOMER DRAWING

SCALE: 5:1 SHEET 1 OF 4 REV E

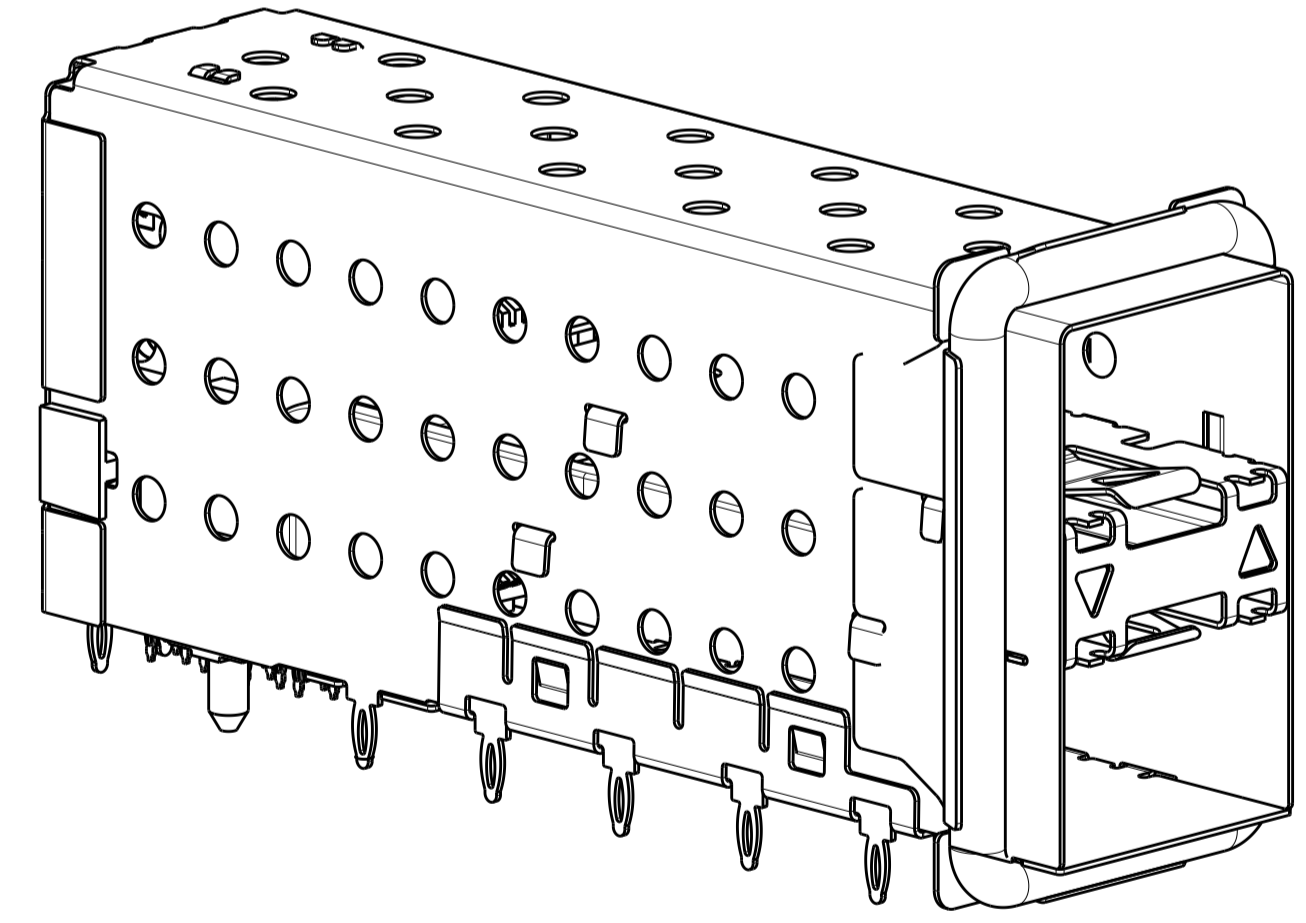
REVISIONS				
P.	LTN	DESCRIPTION	DATE	APVD
-	-	SEE SHEET 1	-	-



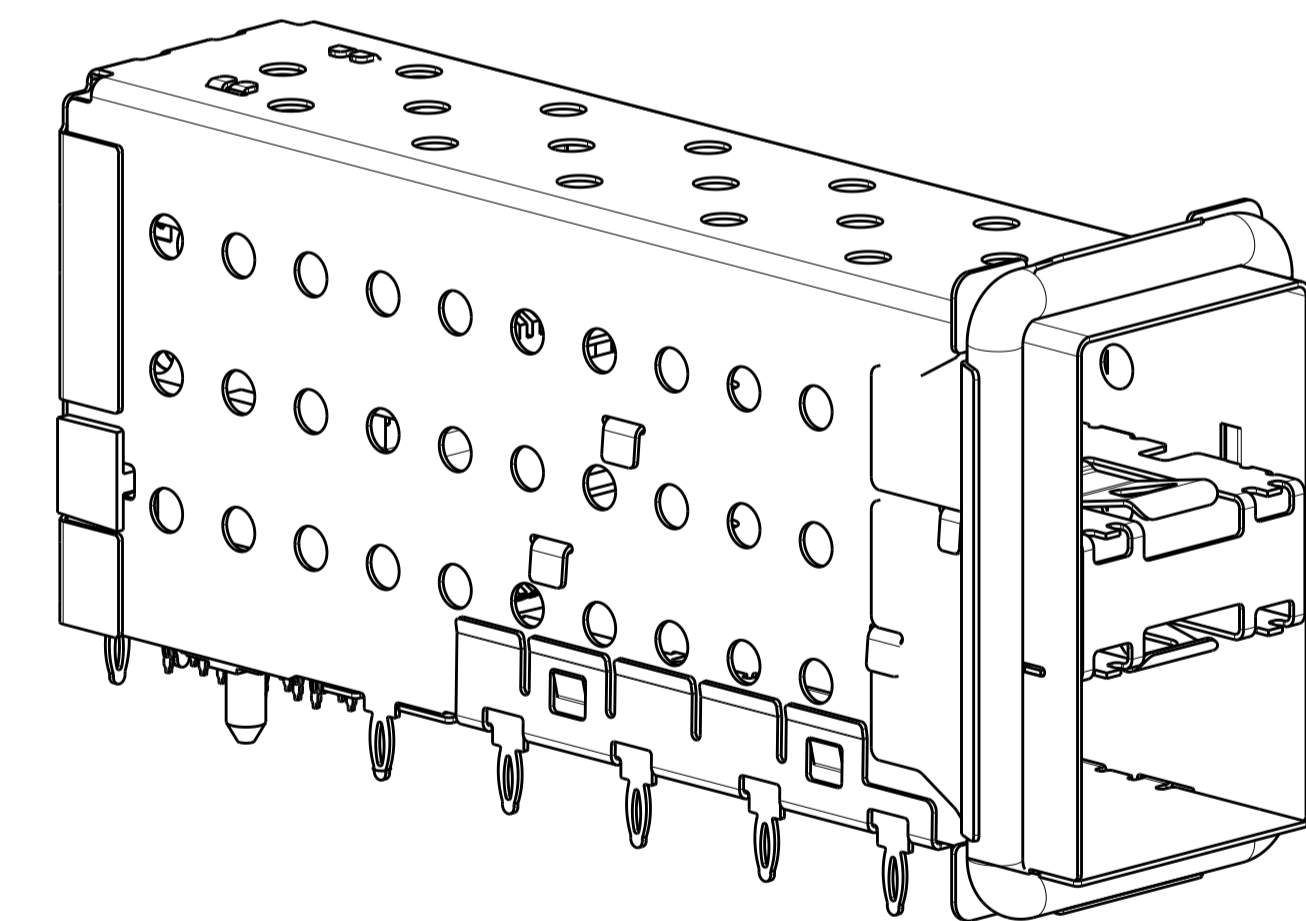
2007538-5 AND 1-2007538-5  
 SCALE 3:1




2007538-6 AND 1-2007538-6  
 SCALE 3:1



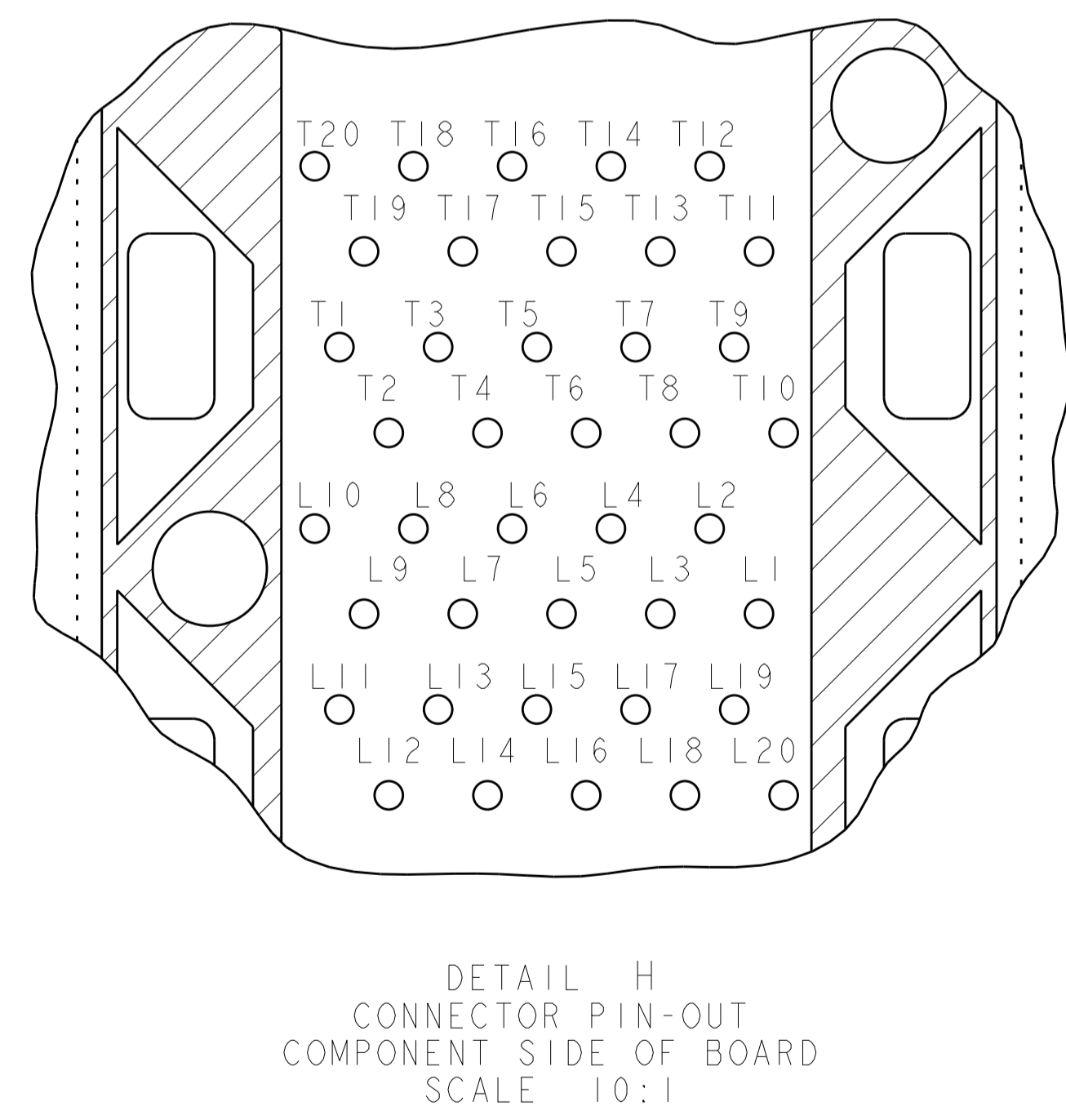
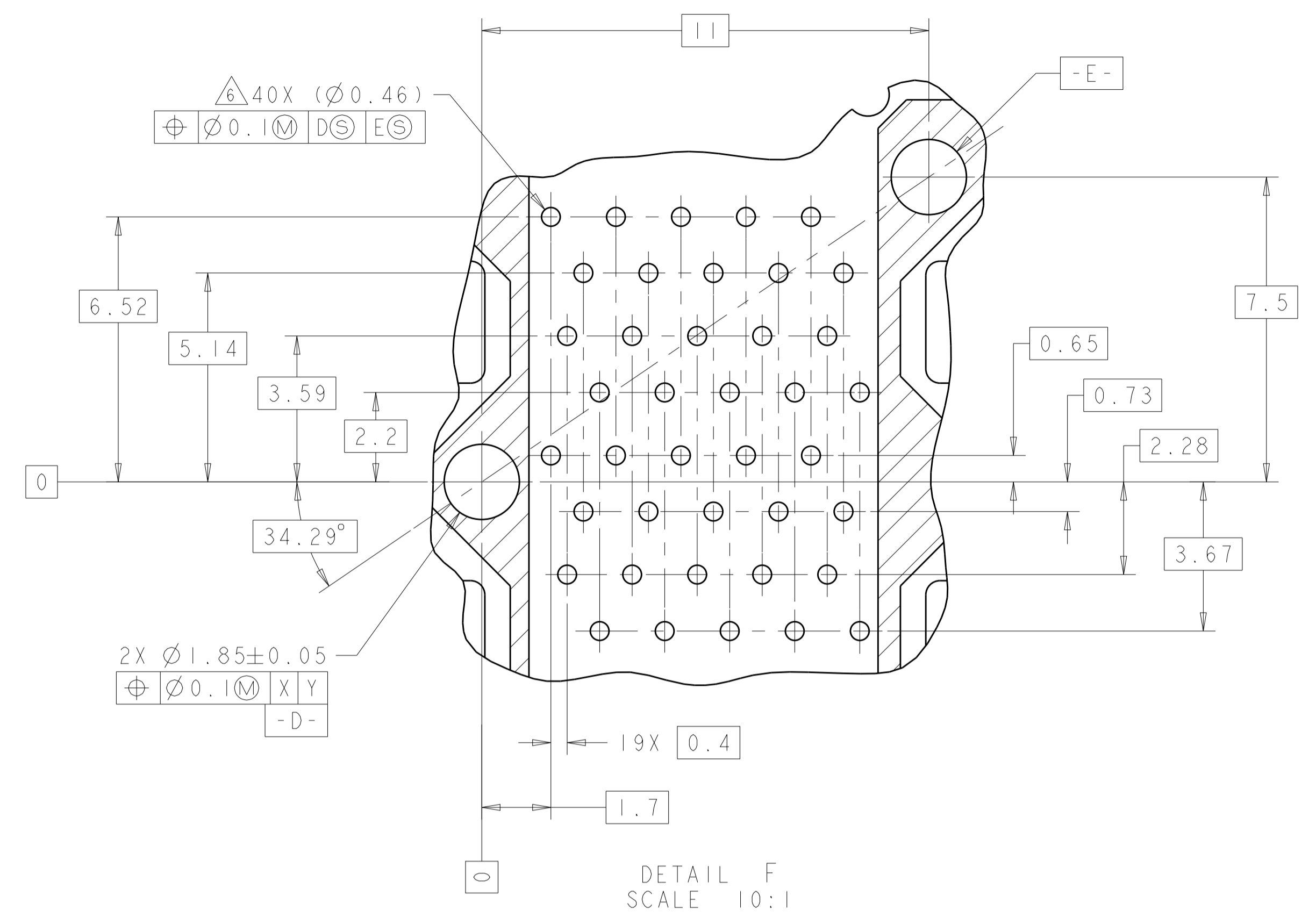
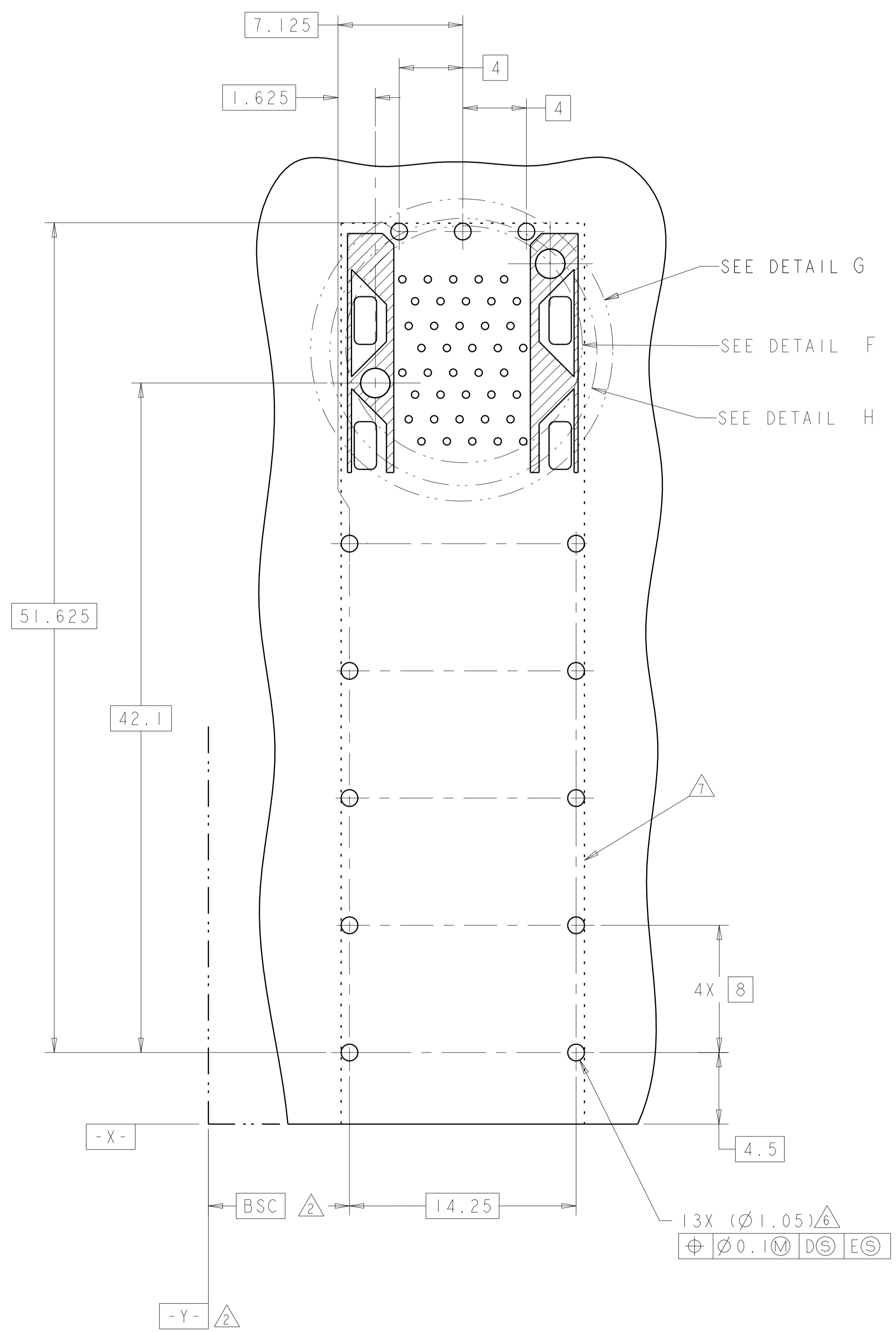
2007538-7 AND 1-2007538-7  
 SCALE 3:1



2007538-8 AND 1-2007538-8  
 SCALE 3:1

THIS DRAWING IS A CONTROLLED DOCUMENT.		DWN M. SHIRK 03JAN2007	 TE Connectivity														
DIMENSIONS:		CHK D. SZCZESNY 03JAN2007															
mm	TOLERANCES UNLESS OTHERWISE SPECIFIED:	APVD D. SZCZESNY 03JAN2007	NAME CAGE AND PT CONNECTOR ASSEMBLY, WITH EMI GASKET, PRESS FIT, 2X1, STACKED SFP+														
<table border="1"> <tr><td>0 PLC</td><td>±0.10</td></tr> <tr><td>1 PLC</td><td>±0.10</td></tr> <tr><td>2 PLC</td><td>±0.10</td></tr> <tr><td>3 PLC</td><td>±0.10</td></tr> <tr><td>4 PLC</td><td>±0.10</td></tr> <tr><td>ANGLES</td><td>±°</td></tr> <tr><td>FINISH</td><td>±"</td></tr> </table>	0 PLC	±0.10	1 PLC	±0.10	2 PLC	±0.10	3 PLC	±0.10	4 PLC	±0.10	ANGLES	±°	FINISH	±"	PRODUCT SPEC 108-2331	APPLICATION SPEC 114-13219	SIZE A100779
0 PLC	±0.10																
1 PLC	±0.10																
2 PLC	±0.10																
3 PLC	±0.10																
4 PLC	±0.10																
ANGLES	±°																
FINISH	±"																
MATERIAL	FINISH	WEIGHT	RESTRICTED TO														
CUSTOMER DRAWING		SCALE 5:1	SHEET 1 OF 4 REV E														

REVISIONS				
P.	LTN	DESCRIPTION	DATE	APPV
-	SEE SHEET 1			



THIS DRAWING IS A CONTROLLED DOCUMENT.		DWN: M. SHIRK 03JAN2007	<b>STE</b> TE Connectivity
DIMENSIONS: mm		CHK: D. SZCZESNY 03JAN2007	
TOLERANCES UNLESS OTHERWISE SPECIFIED:		APPV: D. SZCZESNY 03JAN2007	NAME: CAGE AND PT CONNECTOR ASSEMBLY, WITH EMI GASKET, PRESS FIT, 2X1, STACKED SFP+
0 PLC ±0.10		PRODUCT SPEC: 108-2331	
1 PLC ±0.10		APPLICATION SPEC: 114-13219	SIZE: A100779 C=2007538
2 PLC ±0.10		WEIGHT: -	
3 PLC ±0.10		CUSTOMER DRAWING	SCALE: 5:1 SHEET: 1 OF 4 REV: E
4 PLC ±0.10			
ANGLES: ±°			
FINISH: -			