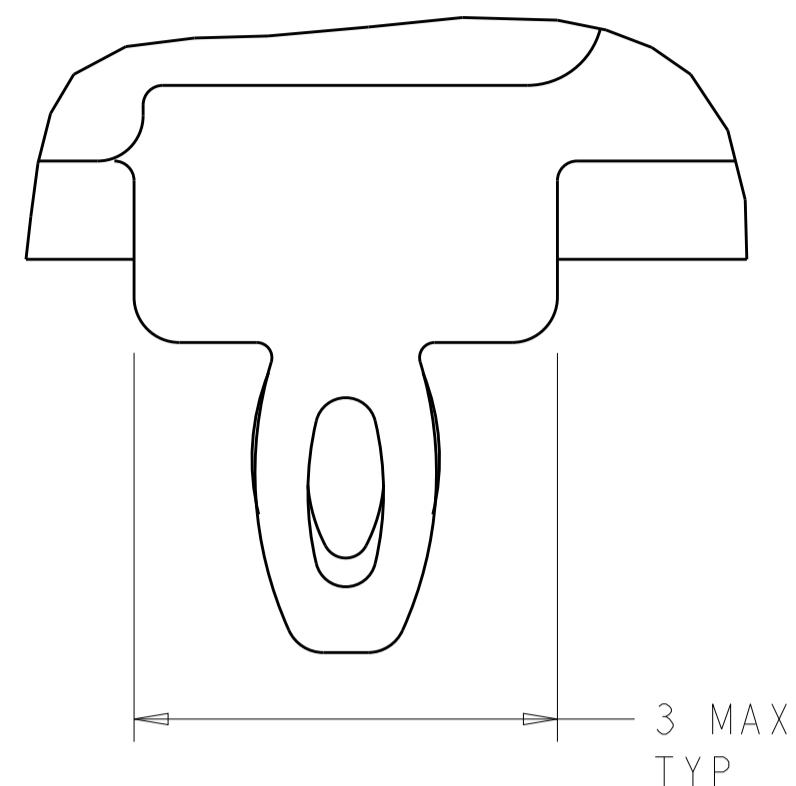


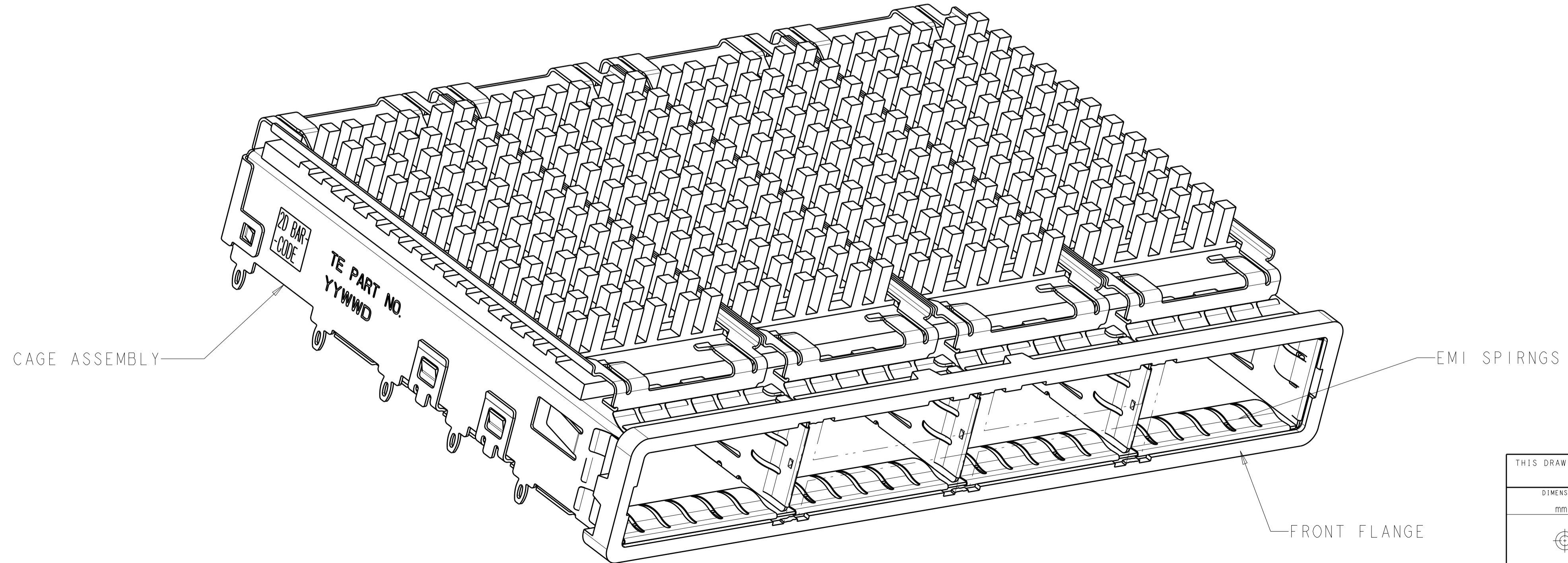
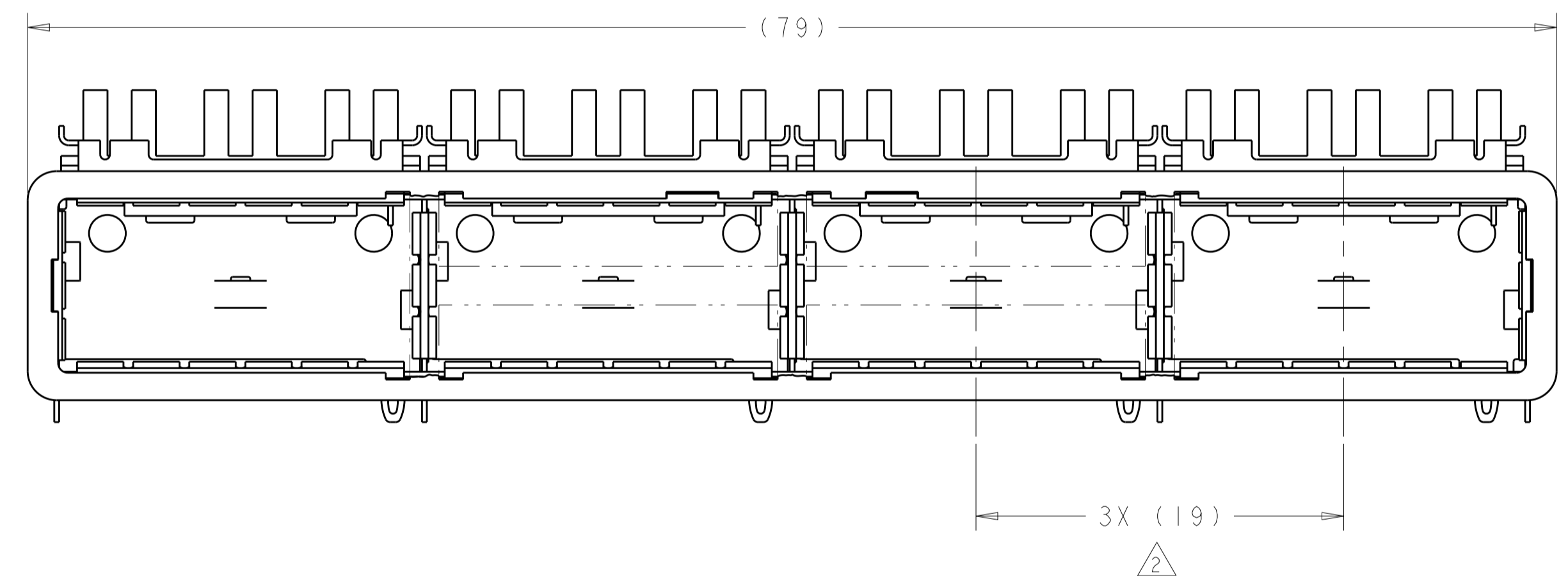
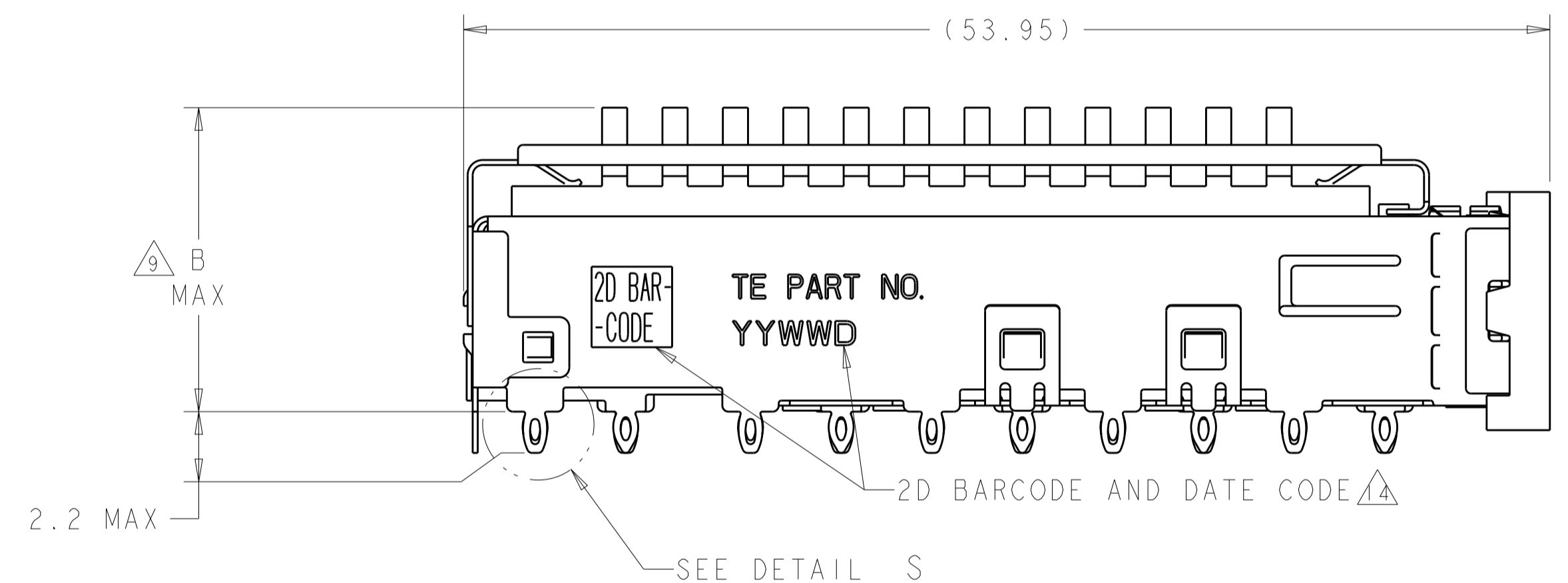
LOC	DIST	REVISIONS			
P	LTN	DESCRIPTION	DATE	DMN	APVD
C		REVISED PER ECO-10-018054	03NOV2010	CJV	EJB
D		REVISED PER ECO-12-003841	14MAR2012	KS	AC
E		REVISED PER ECO-12-005533	31MAR2012	JY	AC
F		REVISED PER ECO-14-017735	30EC2014	RG	MC



DETAIL S  $\Delta 12$   
 SCALE 20:1

- $\Delta 1$  CAGE ASSEMBLY MATERIAL: NICKEL SILVER, 0.25 THICK  
 HEAT SINK MATERIAL: ALUMINUM  
 HEAT SINK CLIP MATERIAL: STAINLESS STEEL  
 EMI SPRING MATERIAL: COPPER ALLOY  
 FRONT FLANGE MATERIAL: ZINC ALLOY
- $\Delta 2$  PITCH BETWEEN PORTS OF ONE 1X4 CAGE ASSEMBLY.
- $\Delta 3$  SPACING BETWEEN CAGES ON THE SAME PC BOARD, TO BE SPECIFIED BY CUSTOMER, MUST COMPLY WITH MINIMUM DIMENSIONS SHOWN.
- $\Delta 4$  REFERENCE APPLICATION SPEC 114-13218 FOR RECOMMENDED DRILL HOLE DIAMETER AND PLATING THICKNESS.
- $\Delta 5$  DATUMS AND BASIC DIMENSIONS ESTABLISHED BY CUSTOMER.
- $\Delta 6$  DIMENSION C IS THE NOMINAL THICKNESS OF CUSTOMER SUPPLIED PC BOARD,  
 SINGLE SIDED PC BOARD MINIMUM THICKNESS = 1.45mm  
 DOUBLE SIDED PC BOARD MINIMUM THICKNESS = 2.2mm PER QSFP.
- $\Delta 7$  HEAT SINKS AND CLIPS SHIPPED ASSEMBLED TO CAGE ASSEMBLY. CAGE ASSEMBLY MAY BE PRESSED INTO THE PCB AS SHIPPED.
- $\Delta 8$  DATUM  $\square$ -A- IS TOP SURFACE OF PC BOARD.
- $\Delta 9$  DIMENSION APPLIES WITH MODULE INSERTED IN CAGE.
- $\Delta 10$  UNPLATED THRU HOLE.
- 11. MATES WITH QSFP MSA COMPATIBLE TRANSCEIVER.
- $\Delta 12$  SURFACE TRACES PERMITTED WITHIN THIS AREA EXCEPT WHERE CAGE STANDOFFS, SHOWN IN DETAIL S, CONTACT PC BOARD.
- $\Delta 13$  BASELINE FOR THESE DIMENSIONS IS THE CENTER OF COMPLIANT PIN HOLE.
- $\Delta 14$  2D BARCODE AND DATE CODE (YYWWD) MARKED ON SIDE OF CAGE ASSEMBLY.
- $\Delta 15$  REFERENCE APP SPEC 114-13218 FOR GASKET THICKNESS CALCULATION.

$\Delta 16$  EMI SPRING FINISH: 2 $\mu$ m MINIMUM TIN  
 FRONT FLANGE FINISH: 3 $\mu$ m MINIMUM TIN OVER 1.27 $\mu$ m MINIMUM NICKEL OVER 5.08 $\mu$ m MINIMUM COPPER.  
 HEAT SINK FINISH: NICKEL.



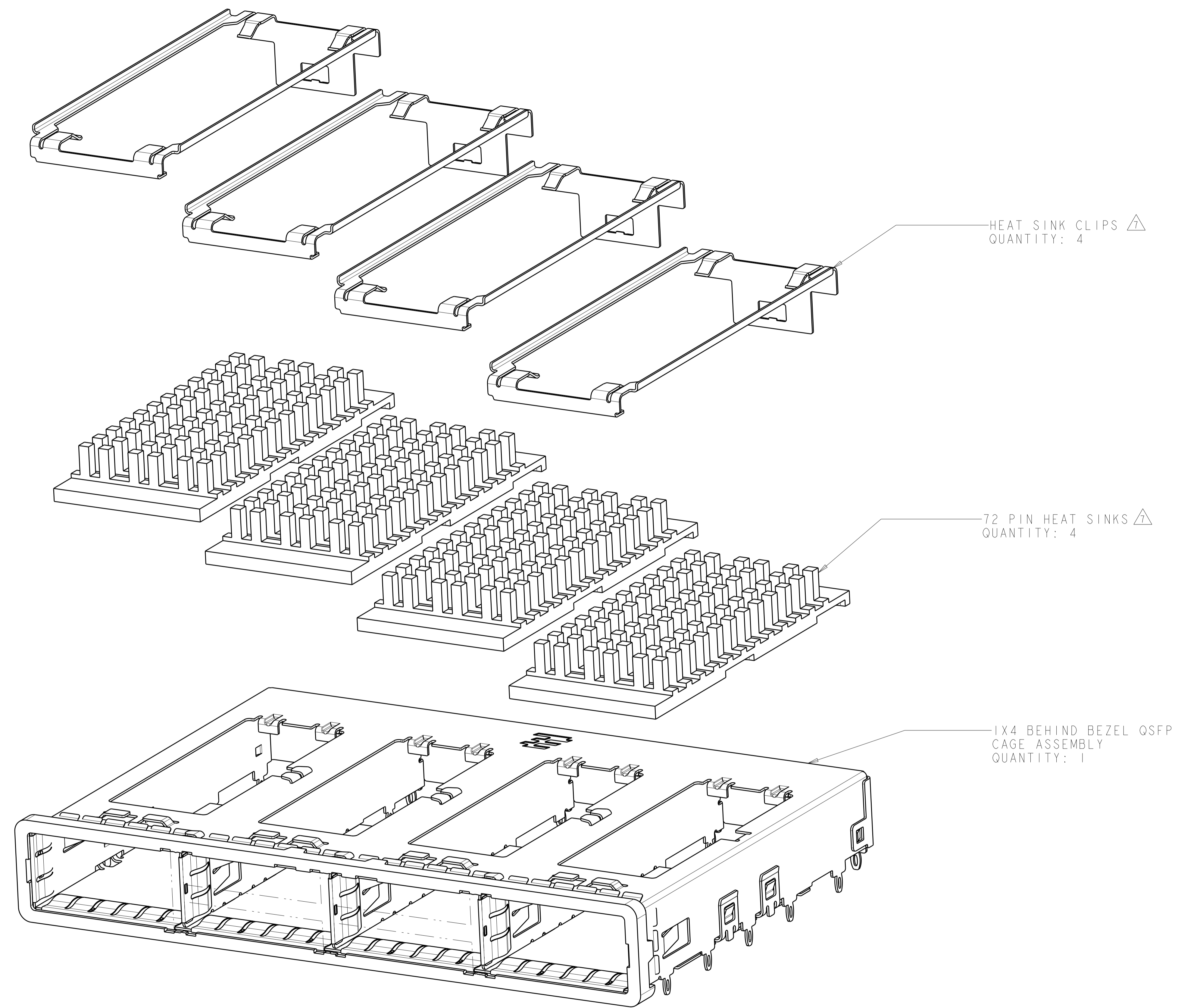
23.0	NETWORKING	2007625-3
16.0	SAN	2007625-2
13.7	PCI	2007625-1
B	HEAT SINK PROFILE	PART NUMBER

THIS DRAWING IS A CONTROLLED DOCUMENT.

DIMENSIONS:	TOLERANCES UNLESS OTHERWISE SPECIFIED:	OWN: C. VALENTINE 09JUN2008	CHK: E. BRIGHT 09JUN2008	APVD: F. BRIGHT 09JUN2008
mm	0 PLC ± 1 PLC ±0.1 2 PLC ±0.1 3 PLC ± 4 PLC ±	PRODUCT SPEC	108-2286	APPLICATION SPEC
MATERIAL:	FINISH:	114-13218	WEIGHT:	
$\Delta 1$	$\Delta 16$	CUSTOMER DRAWING	SCALE 4:1	SHEET 1 OF 5 REV F

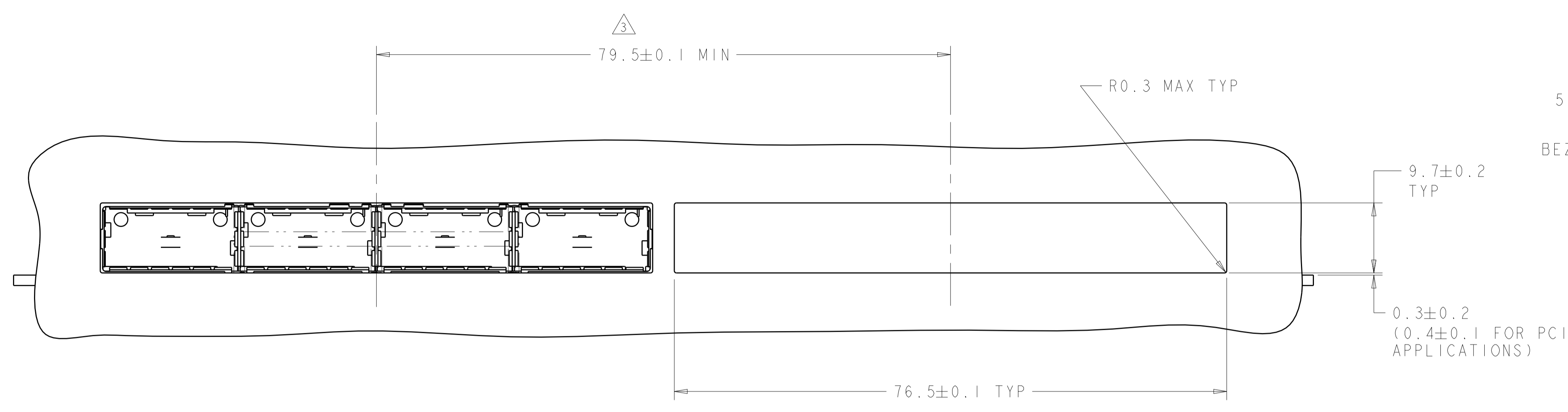
NAME: 1X4 CAGE ASSEMBLY, BEHIND BEZEL, W/ HEAT SINKS, QSFP  
 SIZE: A1  
 CAGE CODE: 00779  
 DRAWING NO: C=2007625  
 RESTRICTED TO: -

LOC	DIST	REVISIONS					
GP	00	P	LYR	DESCRIPTION	DATE	OWN	APVD
-	-	-	-	SEE SHEET 1	-	-	-

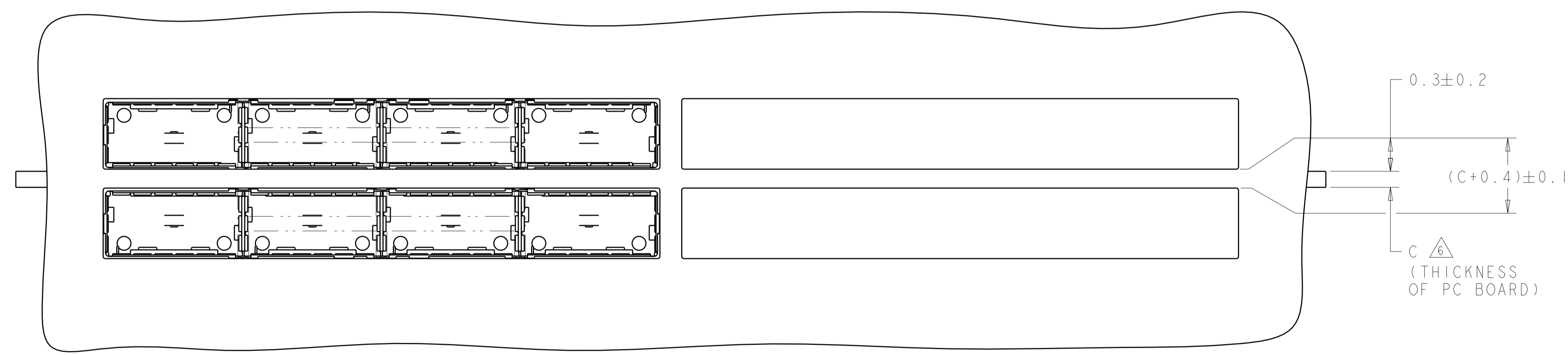
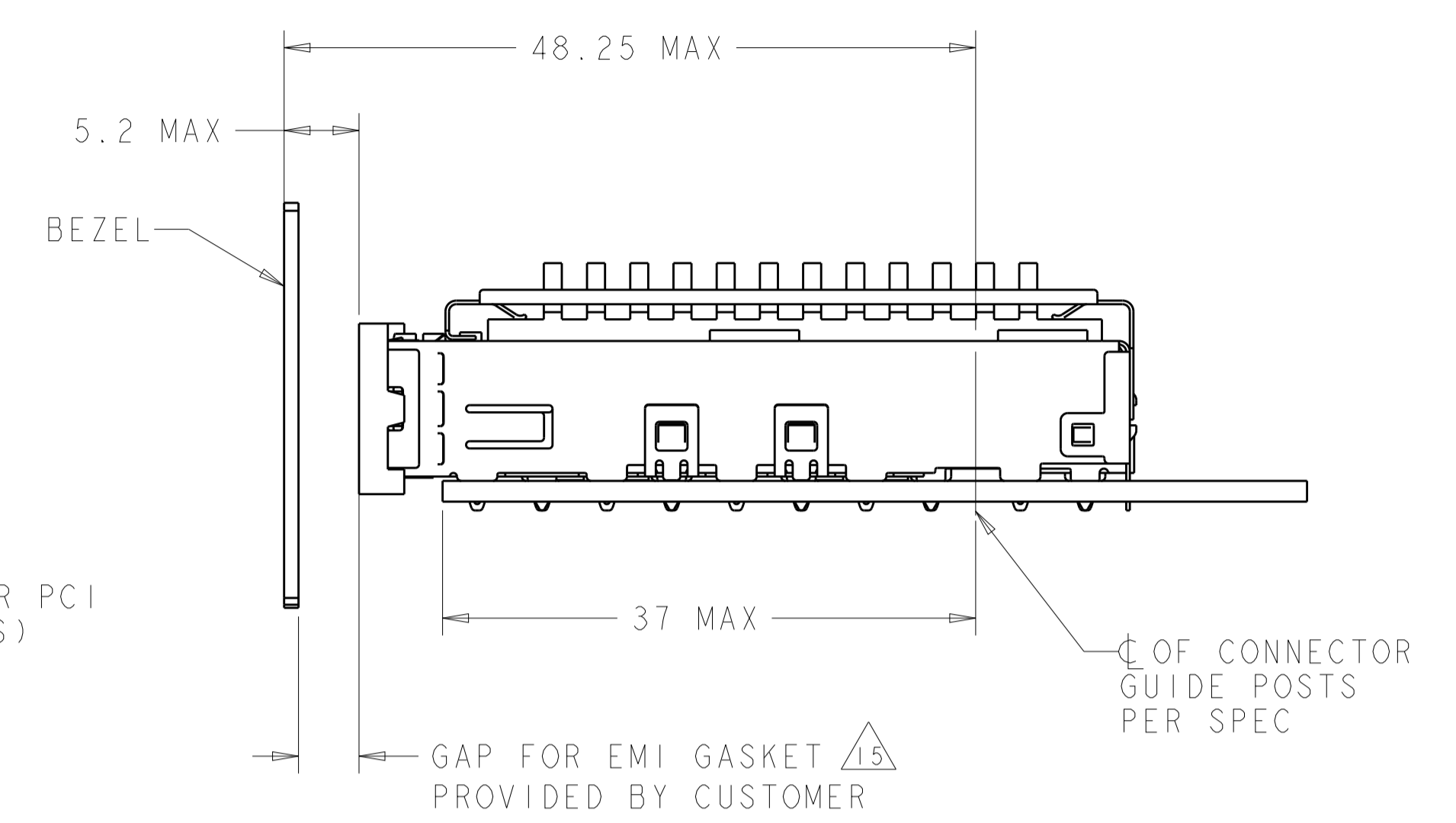


THIS DRAWING IS A CONTROLLED DOCUMENT.		OWN C. VALENTINE 09JUN2008	TE Connectivity
DIMENSIONS:		CHK E. BRIGHT 09JUN2008	
mm	TOLERANCES UNLESS OTHERWISE SPECIFIED:	APVD E. BRIGHT 09JUN2008	NAME 1X4 CAGE ASSEMBLY, BEHIND BEZEL, W/ HEAT SINKS, QSFP
0 PLC	±	PRODUCT SPEC	SIZE A100779C=2007625
1 PLC	±0.1	108-2286	RESTRICTED TO
2 PLC	±0.1	APPLICATION SPEC	SCALE 4:1
3 PLC	±	114-13218	SHEET 2 OF 5
4 PLC	±	WEIGHT	REV F
ANGLES	±	CUSTOMER DRAWING	
MATERIAL	FINISH		

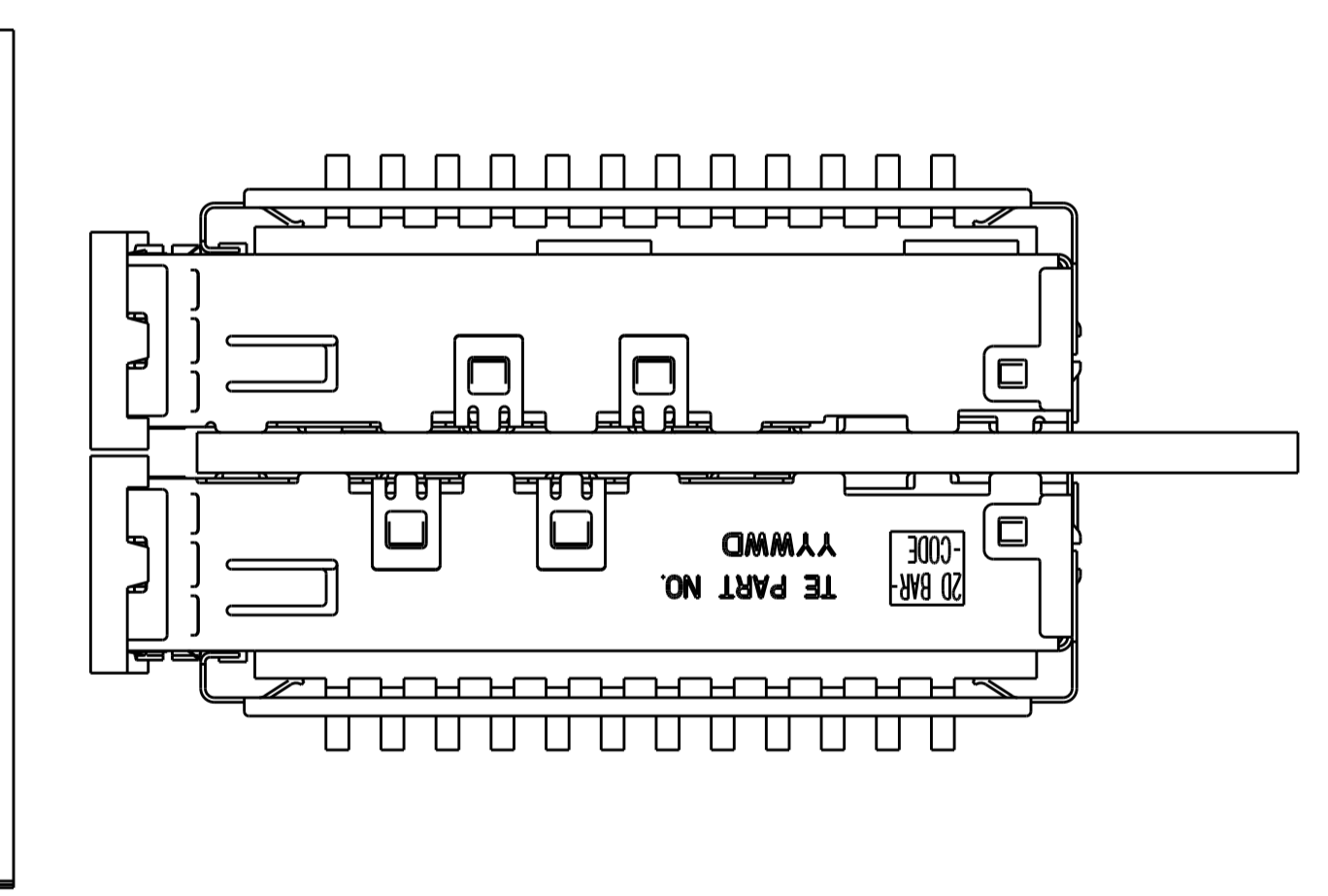
LOC	DIST	REV	DATE	BY	APPD
GP	00				
REVISIONS			DESCRIPTION	DATE	BY
			SEE SHEET 1		



ONE SIDED CONFIGURATION  
 SCALE 5:2



BELLY TO BELLY CONFIGURATION SIMILAR  
 TO ONE SIDED EXCEPT WHERE NOTED  
 SCALE 5:2

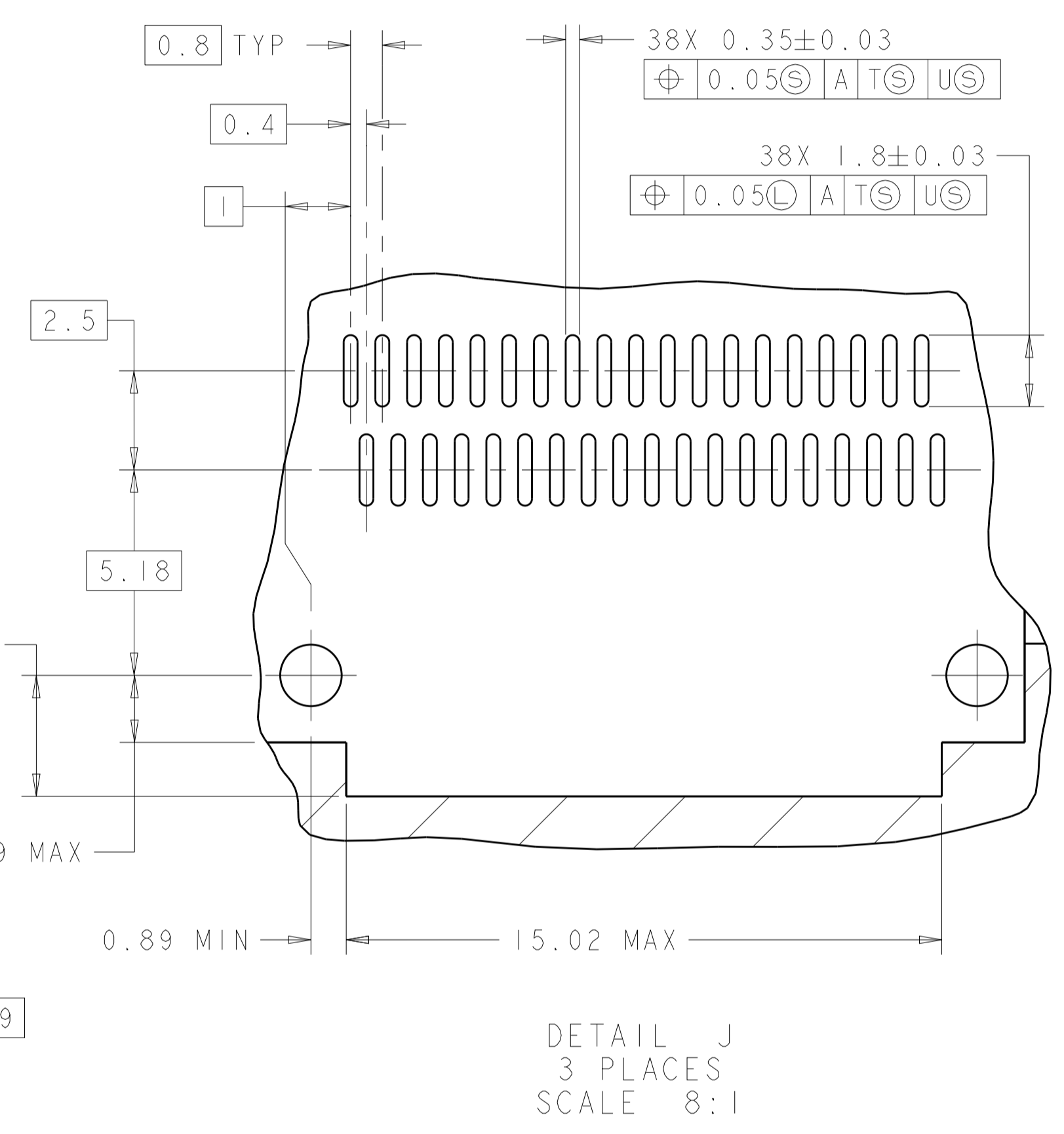
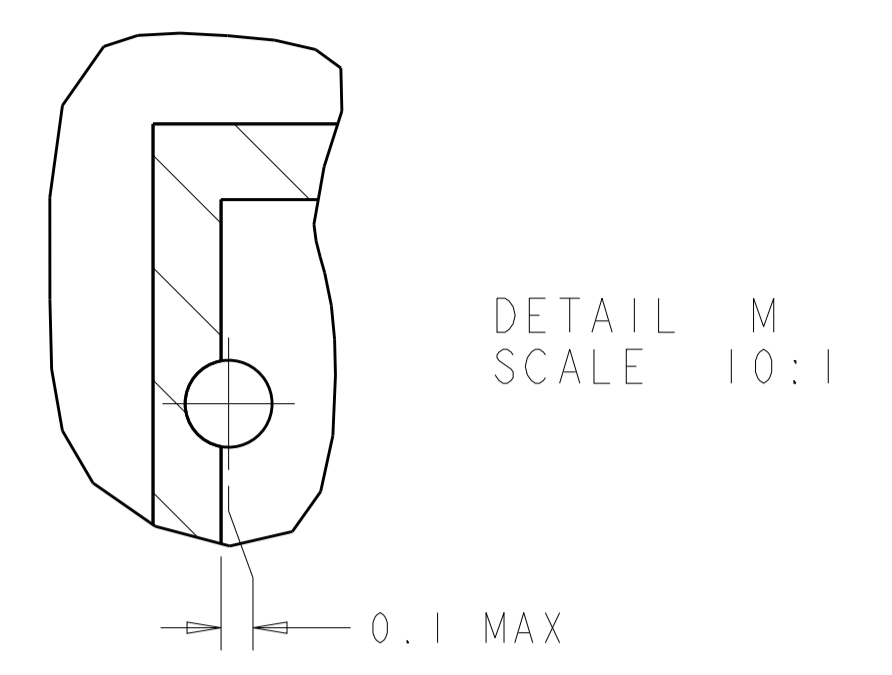
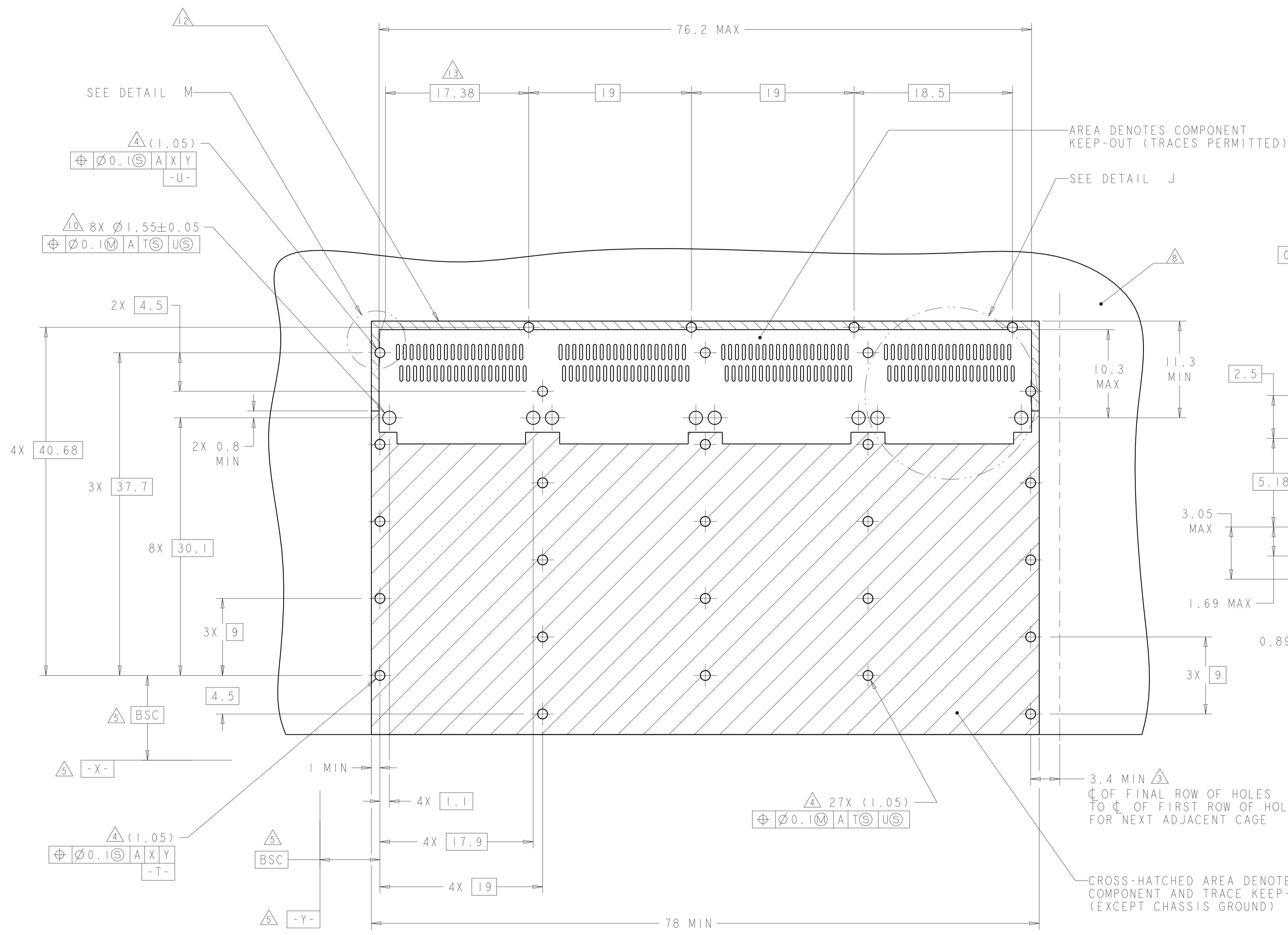


THIS DRAWING IS A CONTROLLED DOCUMENT.		OWN C. VALENTINE 09JUN2008		NAME	
DIMENSIONS:		CHK E. BRIGHT 09JUN2008		1X4 CAGE ASSEMBLY, BEHIND BEZEL, W/ HEAT SINKS, QSFP	
TOLERANCES UNLESS OTHERWISE SPECIFIED:		APVD E. BRIGHT 09JUN2008	PRODUCT SPEC	SIZE	RESTRICTED TO
mm	0 PLC ± 1 PLC ±0.1 2 PLC ±0.1 3 PLC ± 4 PLC ±	APPLICATION SPEC	108-2286	CAGE CODE	
ANGLES		FINISH	114-13218	DRAWING NO	
MATERIAL			WEIGHT	A100779	
				C=2007625	
			CUSTOMER DRAWING	SCALE	4:1
				SHEET	3 OF 5
				REV	F

LOC	DIST	REV	DATE	BY	APPD
GP	00				

REVISIONS			
NO.	DESCRIPTION	DATE	BY
-	SEE SHEET 1	-	-



RECOMMENDED PC BOARD LAYOUT  
 SINGLE SIDE MOUNT CONFIGURATION  
 SCALE 4:1

THIS PRODUCT HAS NOT COMPLETED VALIDATION/QUALIFICATION TESTING

THIS DRAWING IS A CONTROLLED DOCUMENT.		OWN: C. VALENTINE 09JUN2008	TE Connectivity
DIMENSIONS: mm		CHK: E. BRIGHT 09JUN2008	
TOLERANCES UNLESS OTHERWISE SPECIFIED:		APVD: E. BRIGHT 09JUN2008	NAME: 1X4 CAGE ASSEMBLY, BEHIND BEZEL, W/ HEAT SINKS, QSFP
0 PLC	±	PRODUCT SPEC	SIZE: 108-2286
1 PLC	±0.1	APPLICATION SPEC	RESTRICTED TO
2 PLC	±0.1	114-13218	A100779C=2007625
3 PLC	±	WEIGHT	SCALE 4:1 SHEET 4 OF 5 REV F
4 PLC	±	CUSTOMER DRAWING	
ANGLES	±		
MATERIAL			
FINISH			