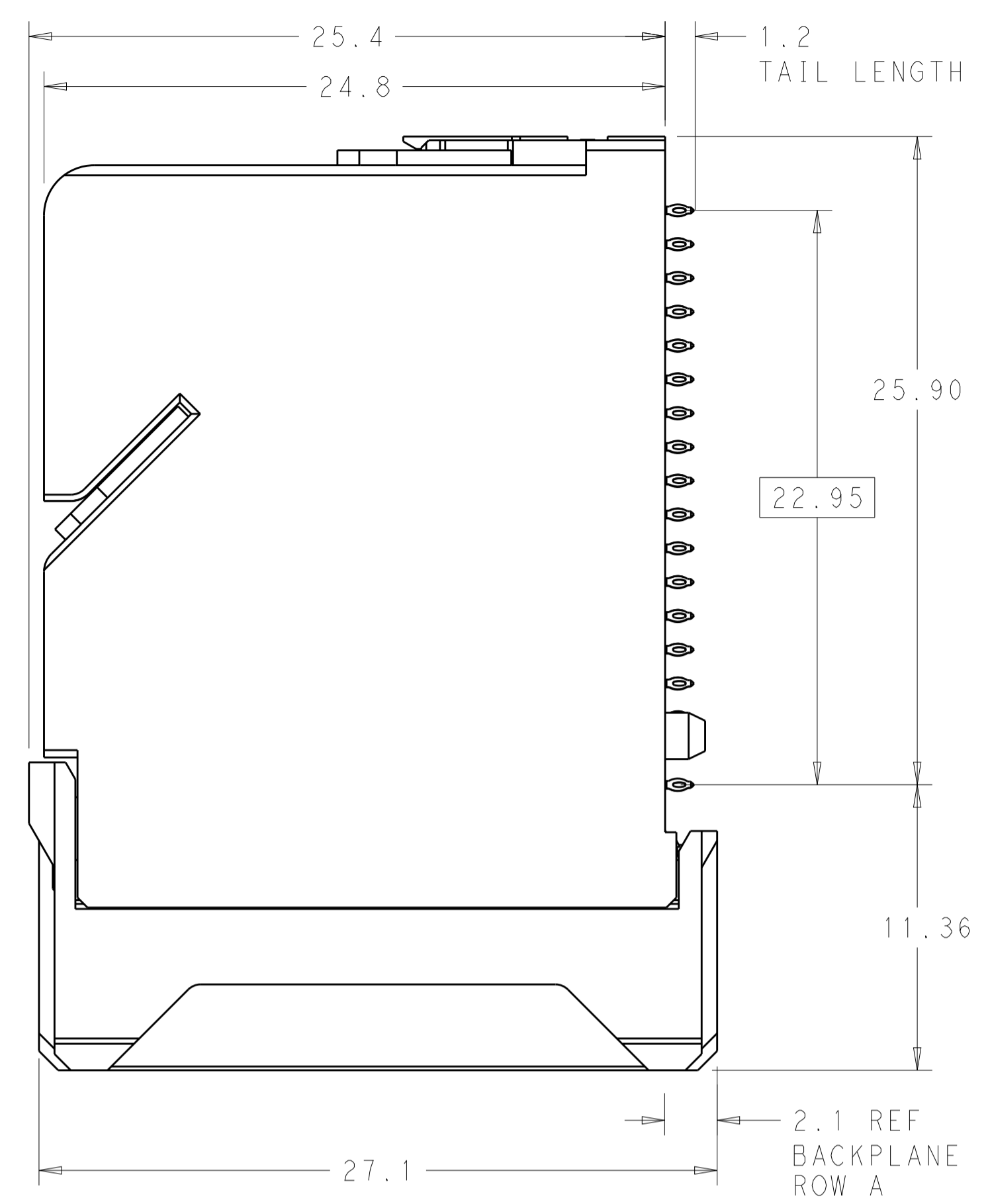
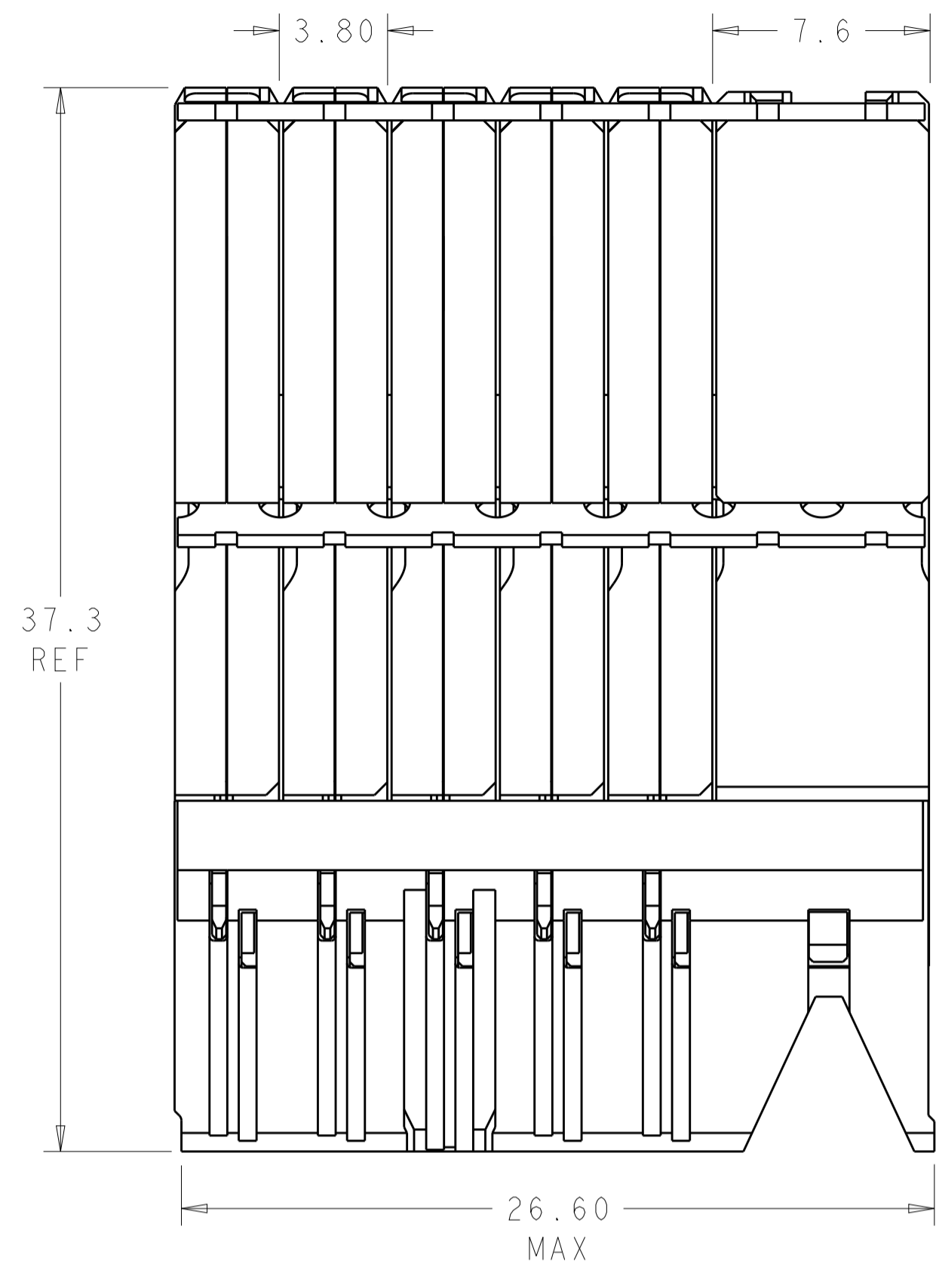


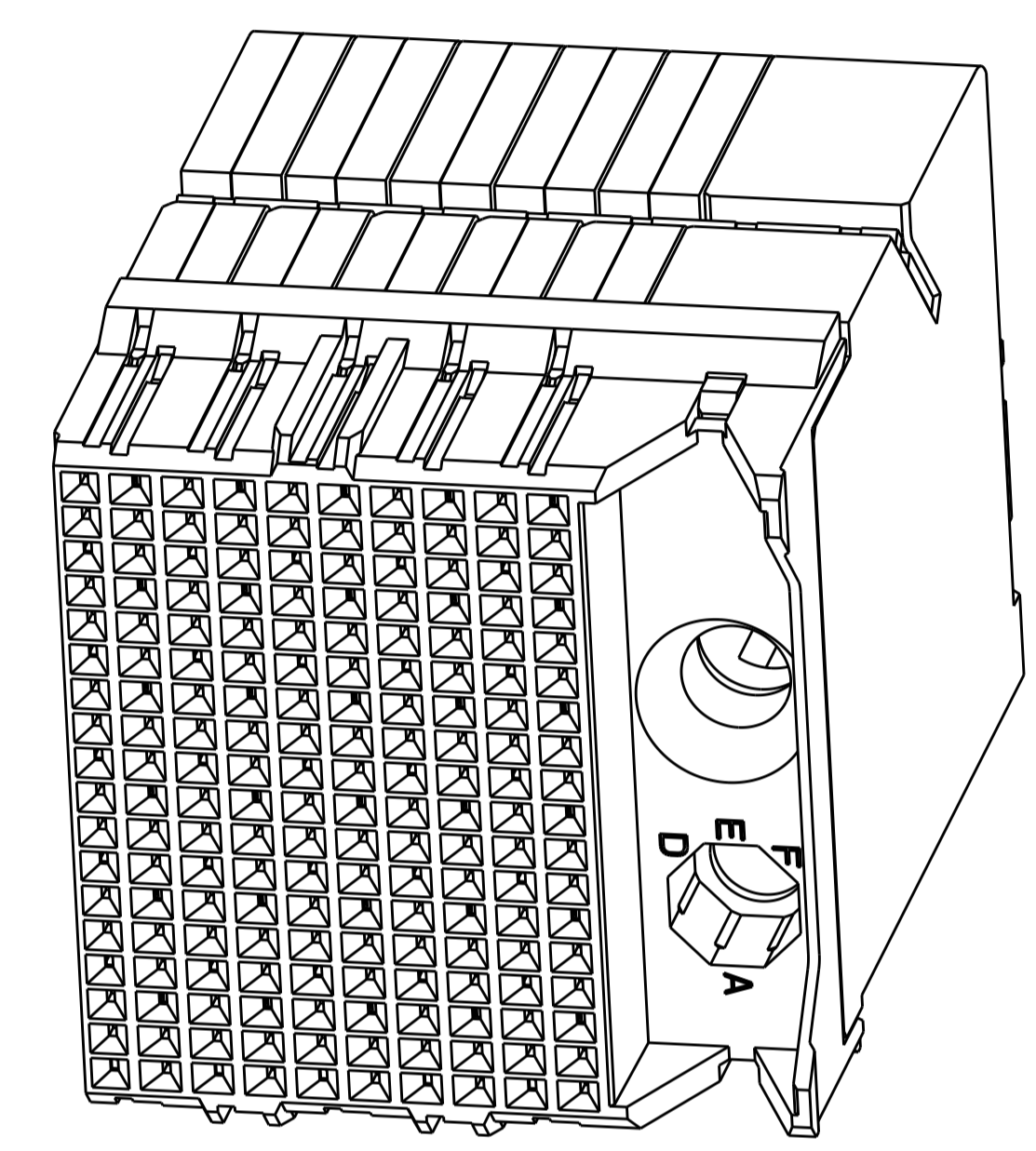
REVISIONS				
P.	LTN	DESCRIPTION	DATE	APVD
E		REVISED PER ECO-15-012351	03SEP2015	AP SY



⚠ MATERIAL:
 HOUSING: LCP, GLASS FILLED, UL94V-0.
 TERMINALS: HIGH PERFORMANCE COPPER ALLOY.

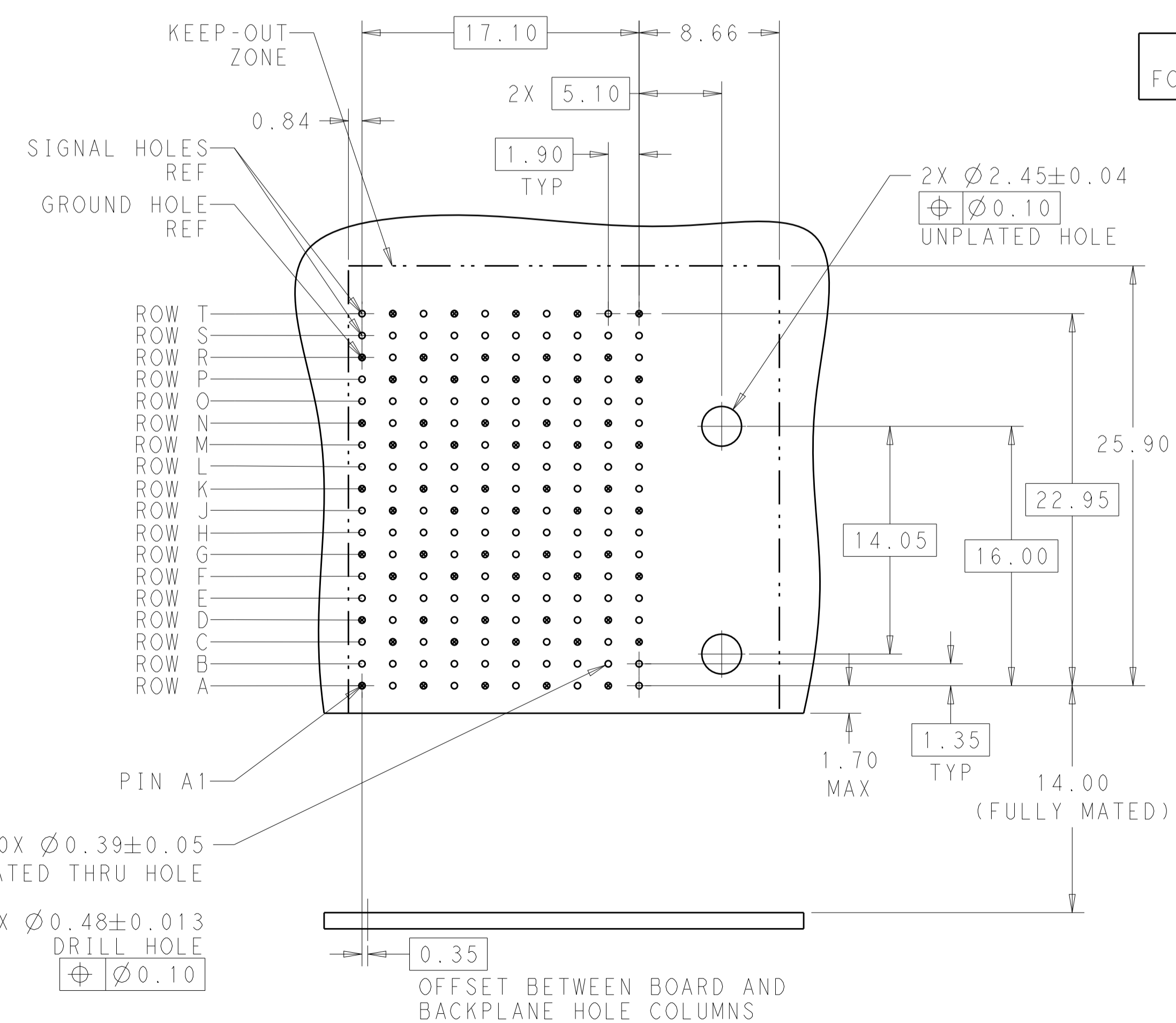
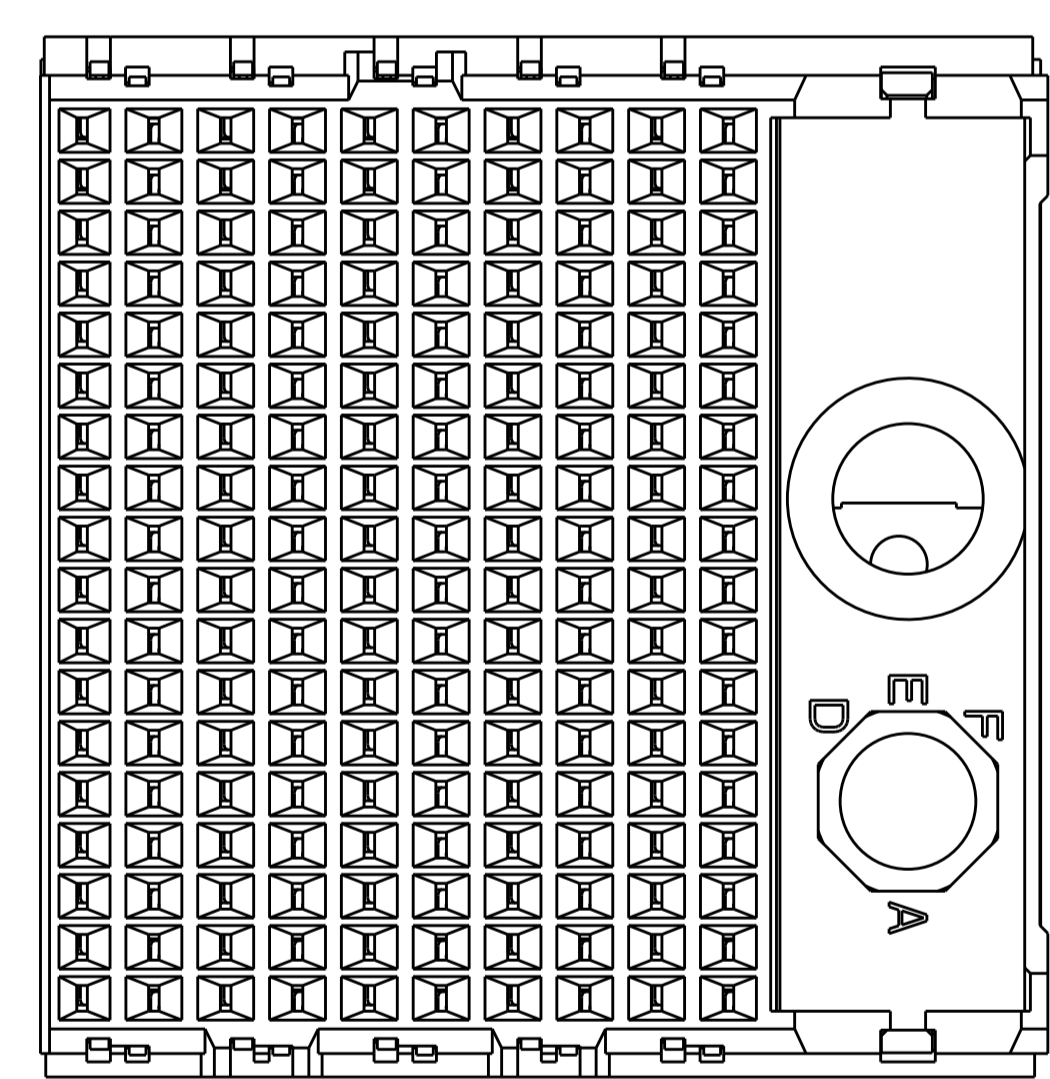
⚠ FINISH:
 30µ" SELECTIVE GOLD IN CONTACT AREA. SELECTIVE TIN ON PCB TAILS, NICKEL OVERALL.

3 CONNECTORS SUPPLIED WITH MOUNTING SCREWS.



SCALE 4:1

REFER TO WWW.TE.COM FOR PRODUCT AVAILABILITY



KEY POSITION CHART	
	NONE

KEY POSITION	FINISH	PART NUMBER
H	⚠	8-2007740-1
G	⚠	7-2007740-1
F	⚠	6-2007740-1
E	⚠	5-2007740-1
D	⚠	4-2007740-1
C	⚠	3-2007740-1
B	⚠	2-2007740-1
A	⚠	1-2007740-1
NONE	⚠	2007740-1

THIS DRAWING IS A CONTROLLED DOCUMENT.

DIMENSIONS:	TOLERANCES UNLESS OTHERWISE SPECIFIED:	OWN: B. CARBO 17AUG2010	NAME: IMPACT, STD, R/A, 6 PAIR, 10 COLUMN, DAUGHTERCARD, RIGHT GUIDED SIGNAL, 0.39 EYELET
mm	0 PLC ±0.2	CHK: D. DIXON 17AUG2010	PRODUCT SPEC
	1 PLC ±0.10	APVD: D. DIXON 17AUG2010	APPLICATION SPEC
	2 PLC ±0.10		SIZE: CAGE CODE: DRAWING NO: RESTRICTED TO
	3 PLC ±0.10		WEIGHT: A100779C=2007740
MATERIAL:	FINISH: SEE TABLE		Customer Drawing

SCALE 5:1 SHEET 1 OF 1 REV E

RECOMMENDED PCB LAYOUT
 MIN BOARD THICKNESS 1.0