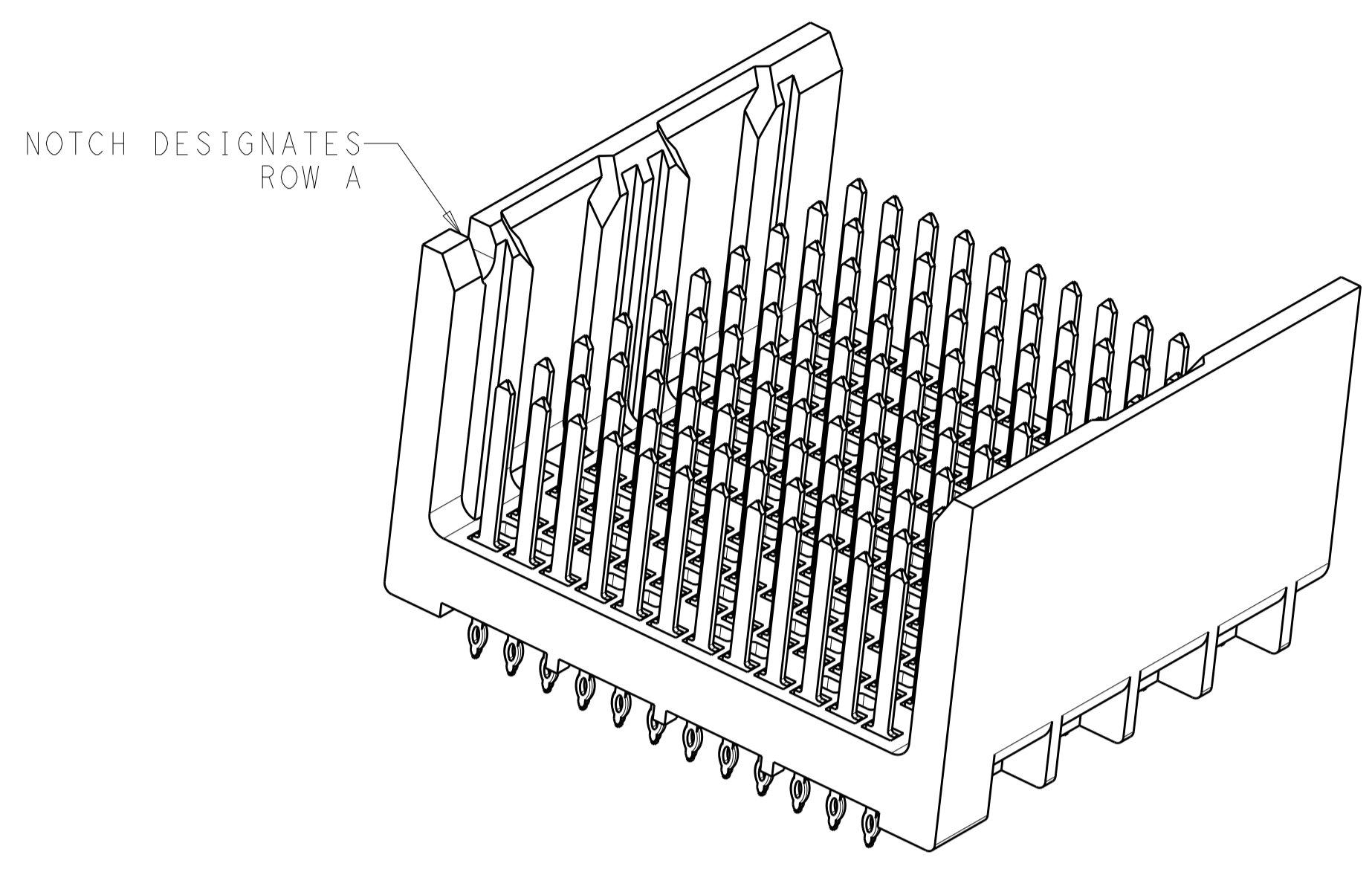
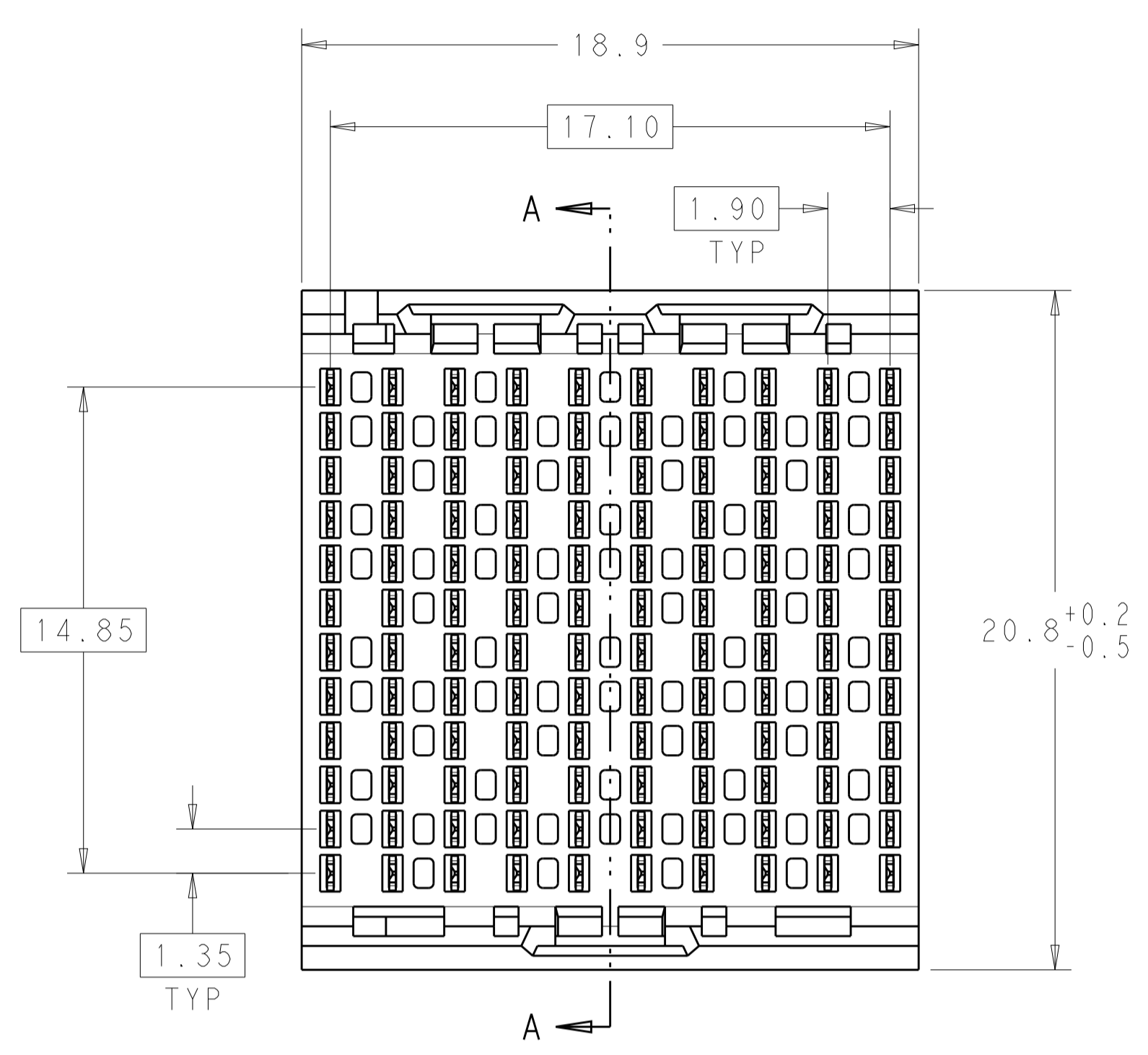
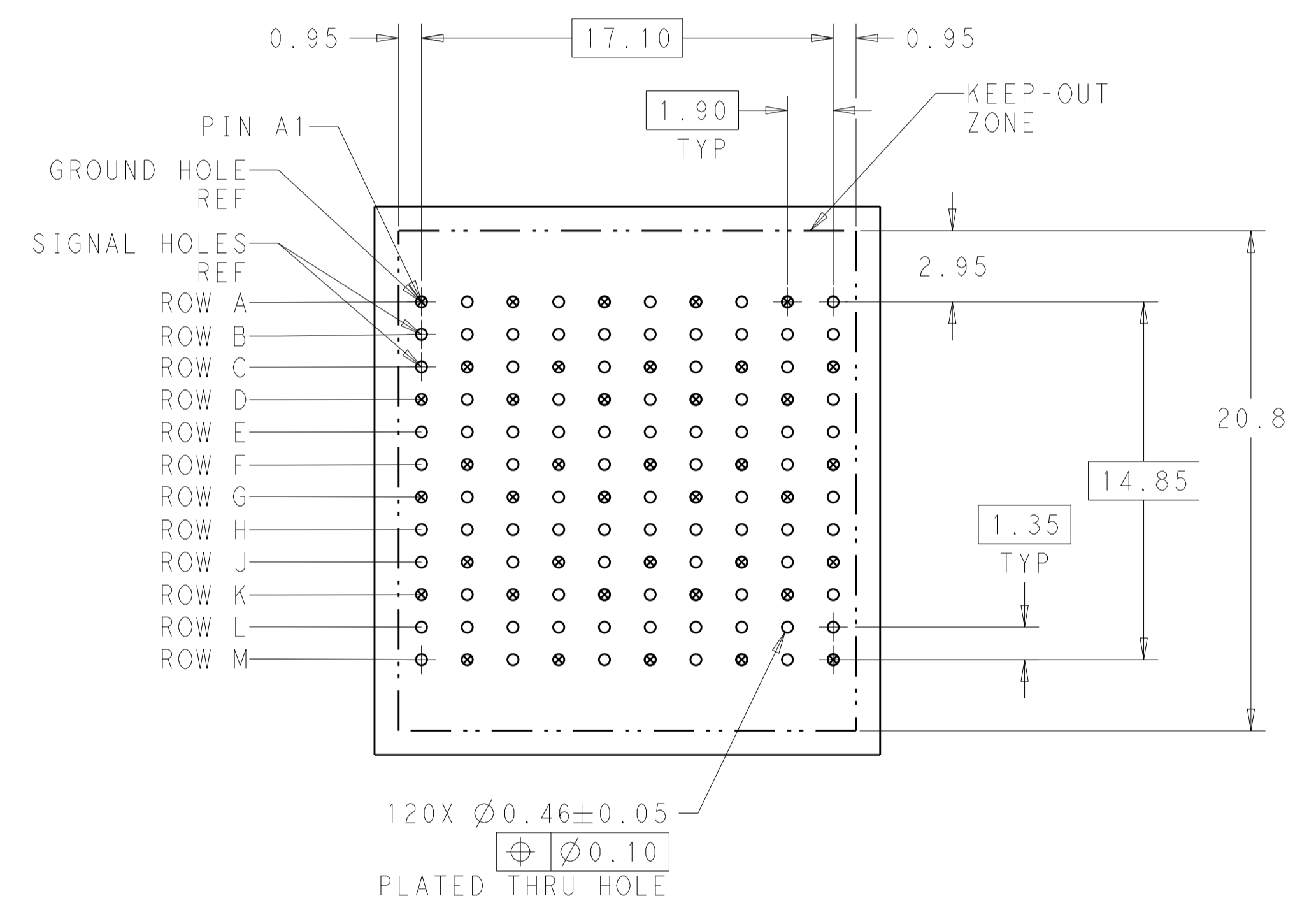


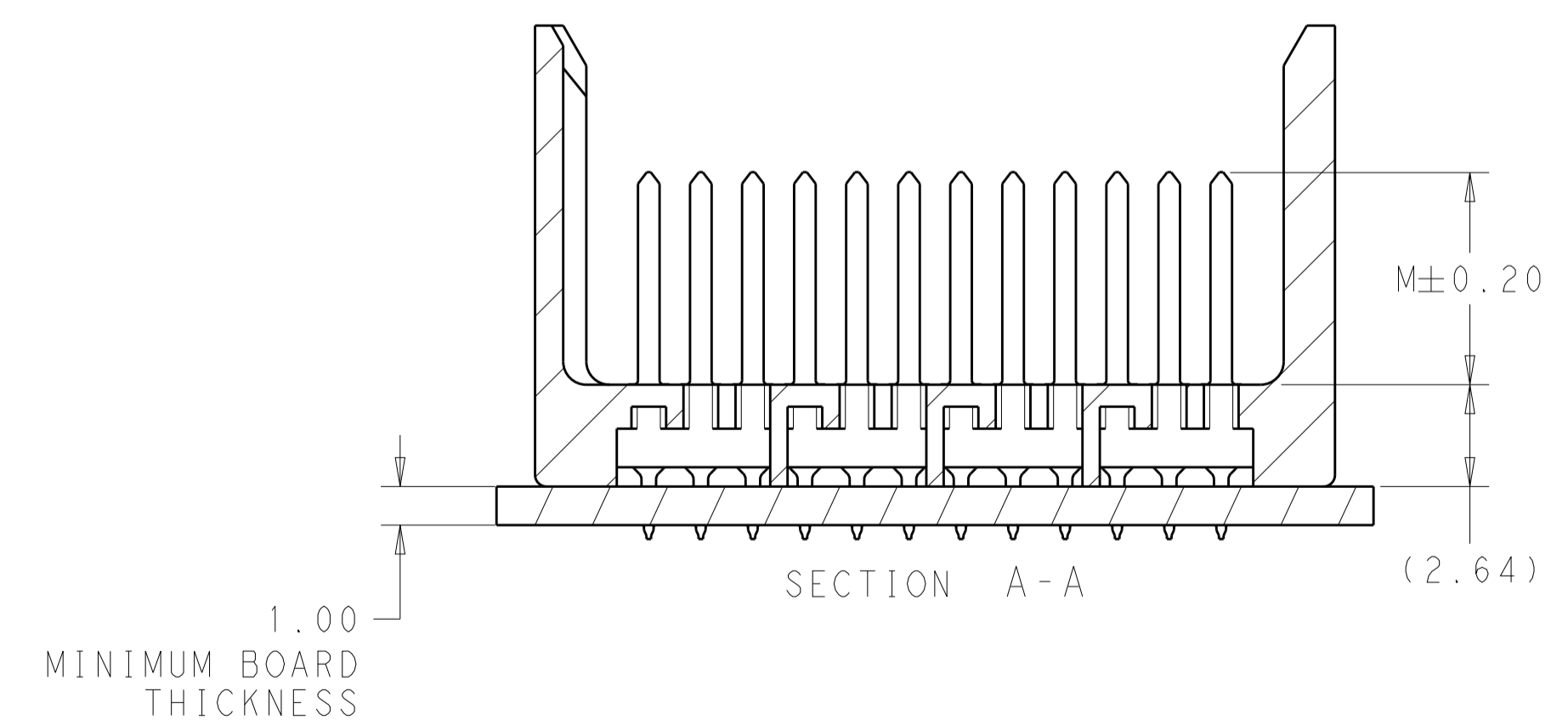
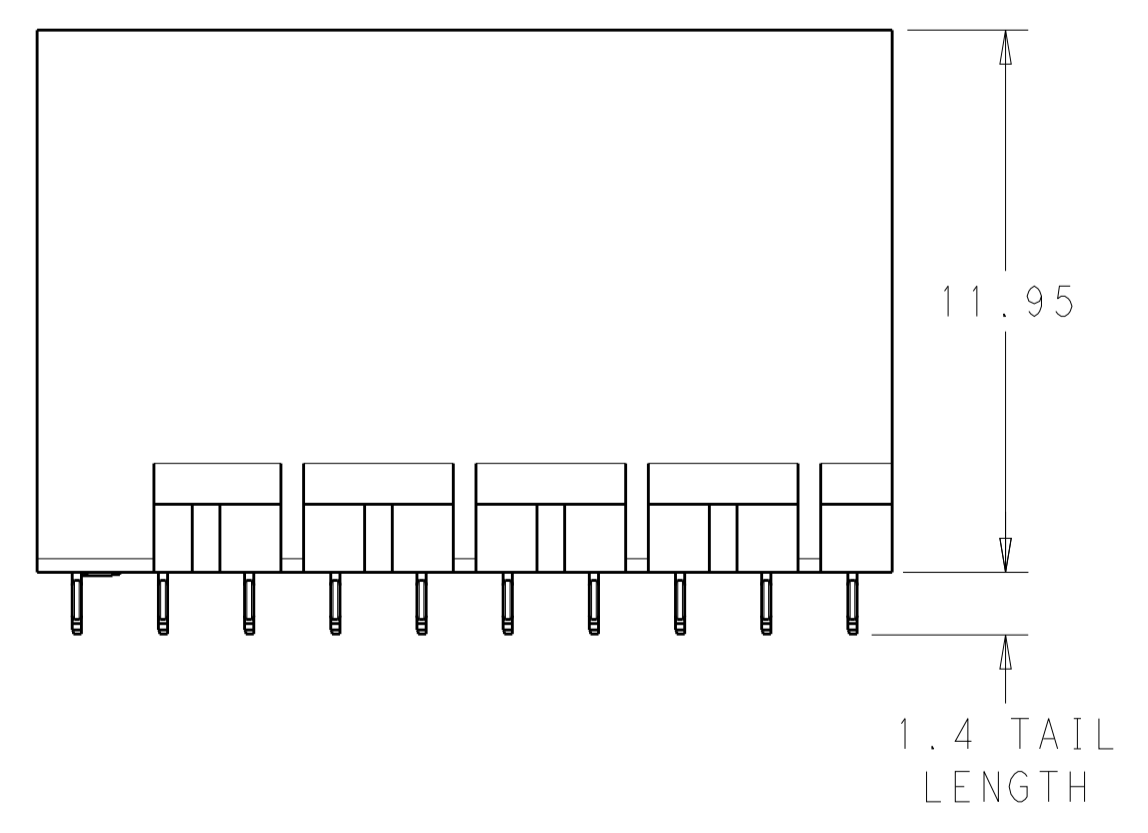
| REVISIONS | | | | |
|-----------|-----|---------------------------|-----------|-------|
| P. | LTM | DESCRIPTION | DATE | APVD |
| A1 | | REVISED PER ECO-15-001494 | 04FEB2015 | AP DD |



- 1 MATERIAL:
HOUSING: LCP, GLASS FILLED, UL94V-0.
TERMINALS: HIGH PERFORMANCE COPPER ALLOY.
- 2 FINISH:
30μ" MIN GOLD IN CONTACT AREA. SELECTIVE TIN ON PCB TAILS, NICKEL OVERALL.



UNGUIDED BACKPLANE HOLE PATTERN (CONNECTOR SIDE)



| | | | |
|--|---|---|-----------------|
| THIS DRAWING IS A CONTROLLED DOCUMENT. | | DWN J. K. SHOBER 22DEC2010 CHK J. EARY 22DEC2010 APVD J. EARY 22DEC2010 | TE Connectivity |
| DIMENSIONS: mm | TOLERANCES UNLESS OTHERWISE SPECIFIED: 0 PLC ± 1 PLC ±0.25 2 PLC ±0.13 3 PLC ± 4 PLC ± ANGLES ± FINISH ± | NAME PRODUCT SPEC APPLICATION SPEC WEIGHT CUSTOMER DRAWING | |

THIS DRAWING IS UNPUBLISHED. RELEASED FOR PUBLICATION 20
 © COPYRIGHT 20 BY - ALL RIGHTS RESERVED.

| REVISIONS | | | | | |
|-----------|-----|-------------|------|-----|------|
| P. | LTN | DESCRIPTION | DATE | DMN | APVD |
| - | - | SEE SHEET 1 | - | - | - |
| | | | | | |
| | | | | | |

| | | |
|--------|-------|-------------|
| | 5.5 | 2007816-3 |
| | 4.9 | 2007816-2 |
| | 4.5 | 2007816-1 |
| FINISH | DIM M | PART NUMBER |

REFER TO WWW.TE.COM
FOR PRODUCT AVAILABILITY

| | | | |
|--|--|-------------------------------|---|
| THIS DRAWING IS A CONTROLLED DOCUMENT. | | DMN J. K. SHOBER 22DEC2010 | |
| | | CHK J. EARY 22DEC2010 | |
| DIMENSIONS: | | APVD J. EARY 22DEC2010 | NAME |
| mm | TOLERANCES UNLESS OTHERWISE SPECIFIED: | PRODUCT SPEC | IMPACT, 4 PAIR, 10 COLUMN, HEADER |
| | 0 PLC ± | APPLICATION SPEC | UNGUIDED, OPEN END WALL |
| | 1 PLC ±0.25 | | SIGNAL MODULE, 0.46 PTH |
| | 2 PLC ±0.13 | | SIZE CAGE CODE DRAWING NO RESTRICTED TO |
| | 3 PLC ± | | A100779C=2007816 |
| | 4 PLC ± | | WEIGHT |
| | ANGLES ± | | CUSTOMER DRAWING |
| MATERIAL | FINISH | | SCALE 5:1 SHEET 2 OF 2 REV A1 |
| - | SEE TABLE | | |
| - | - | | |