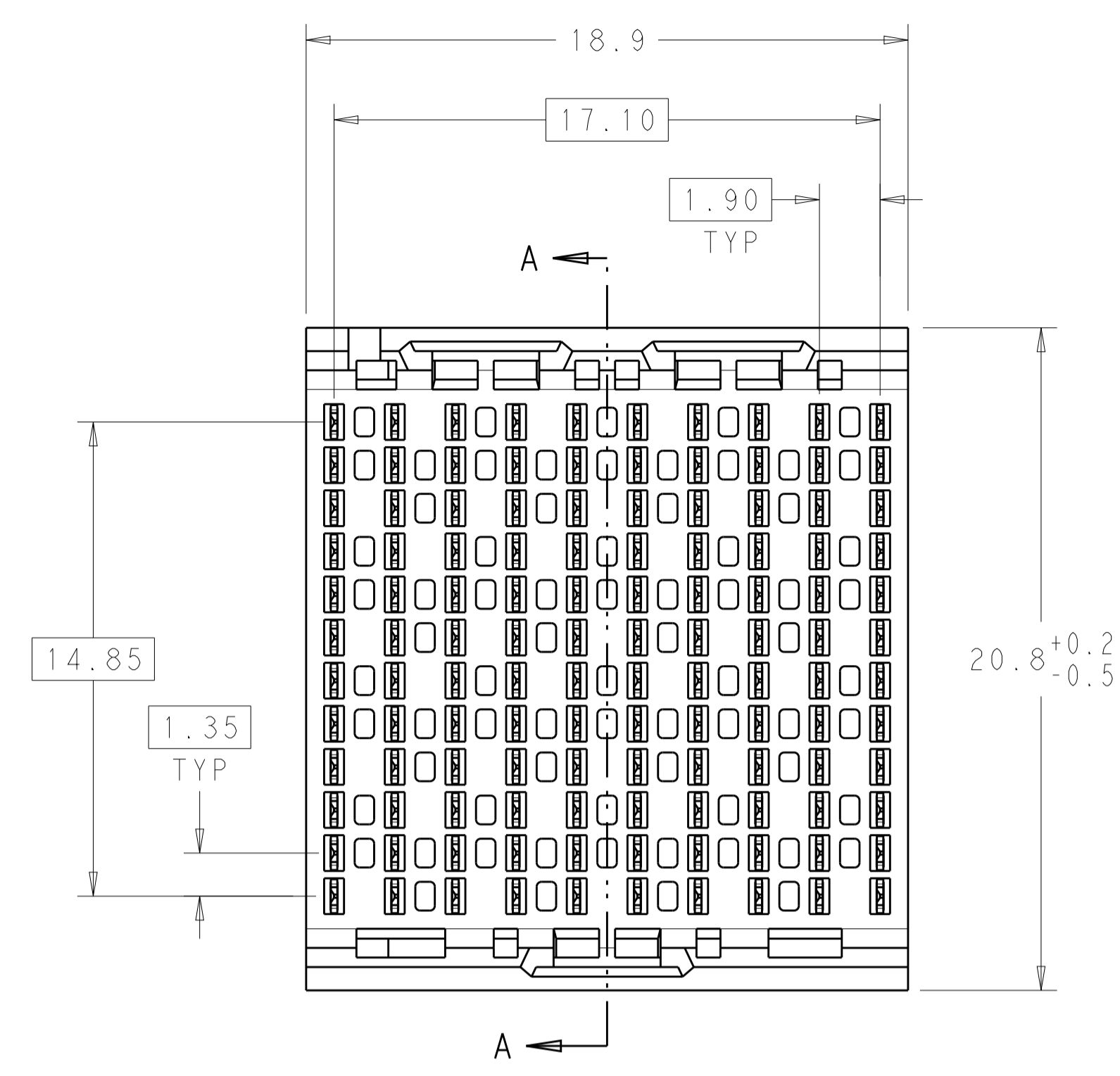
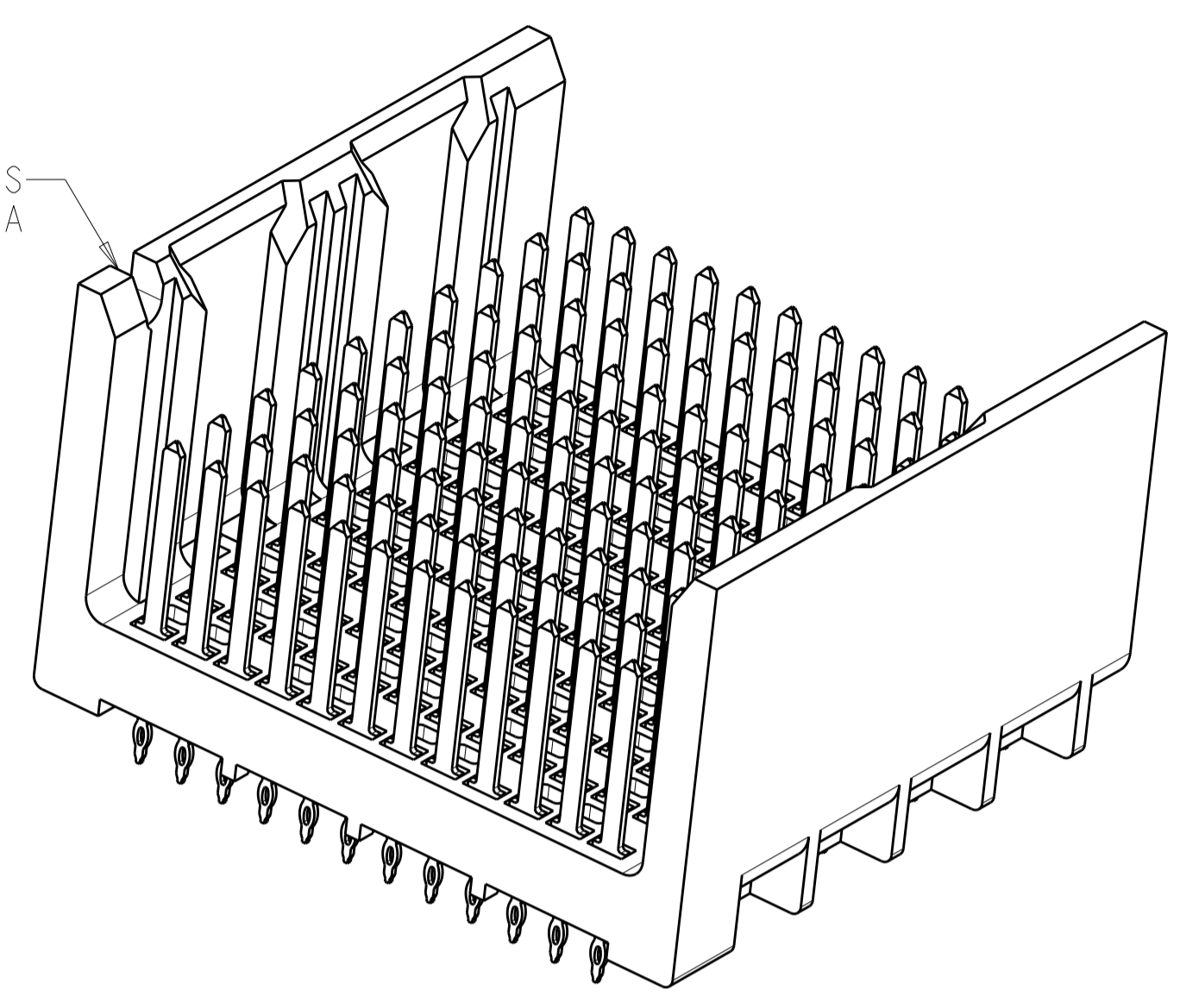


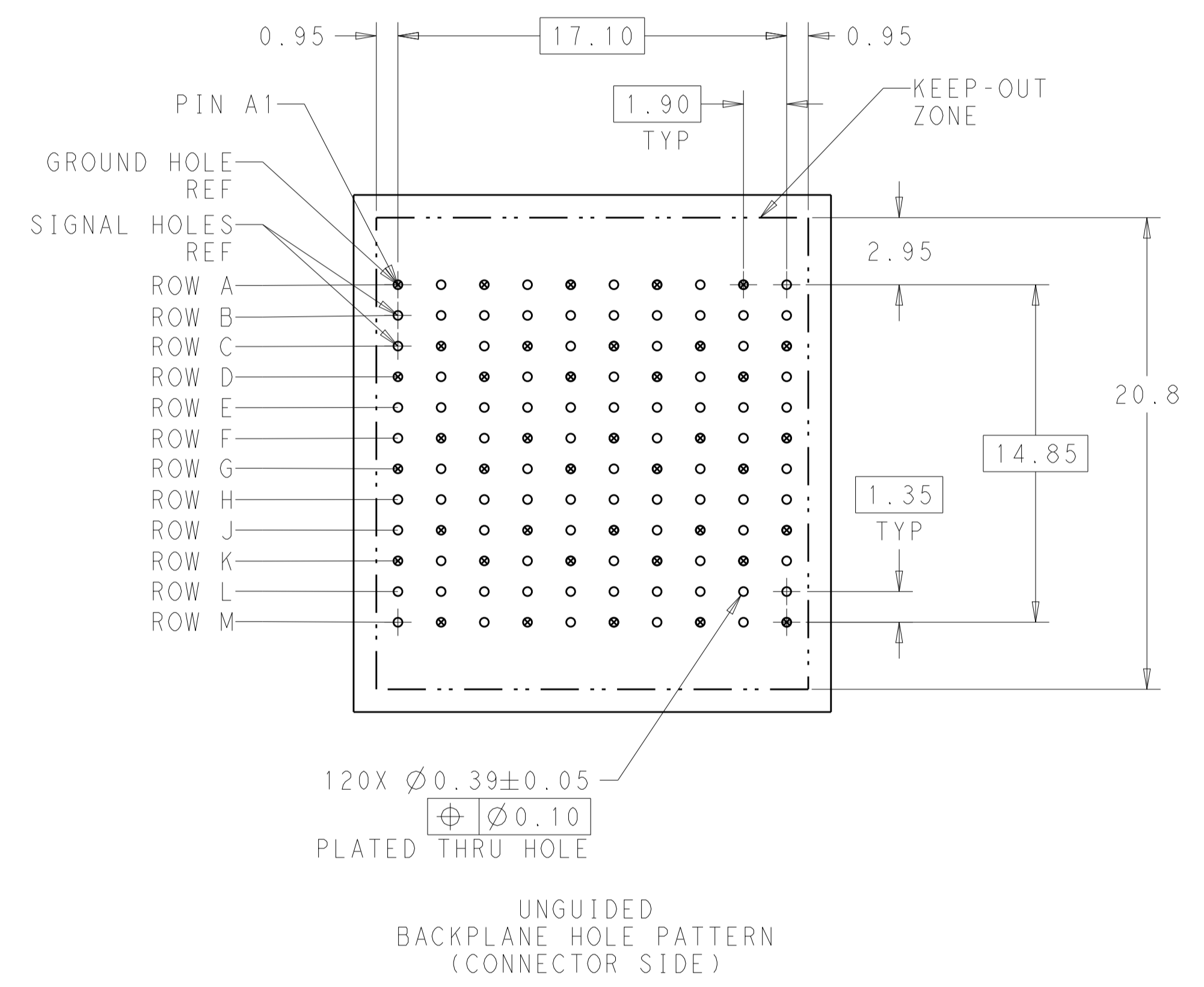
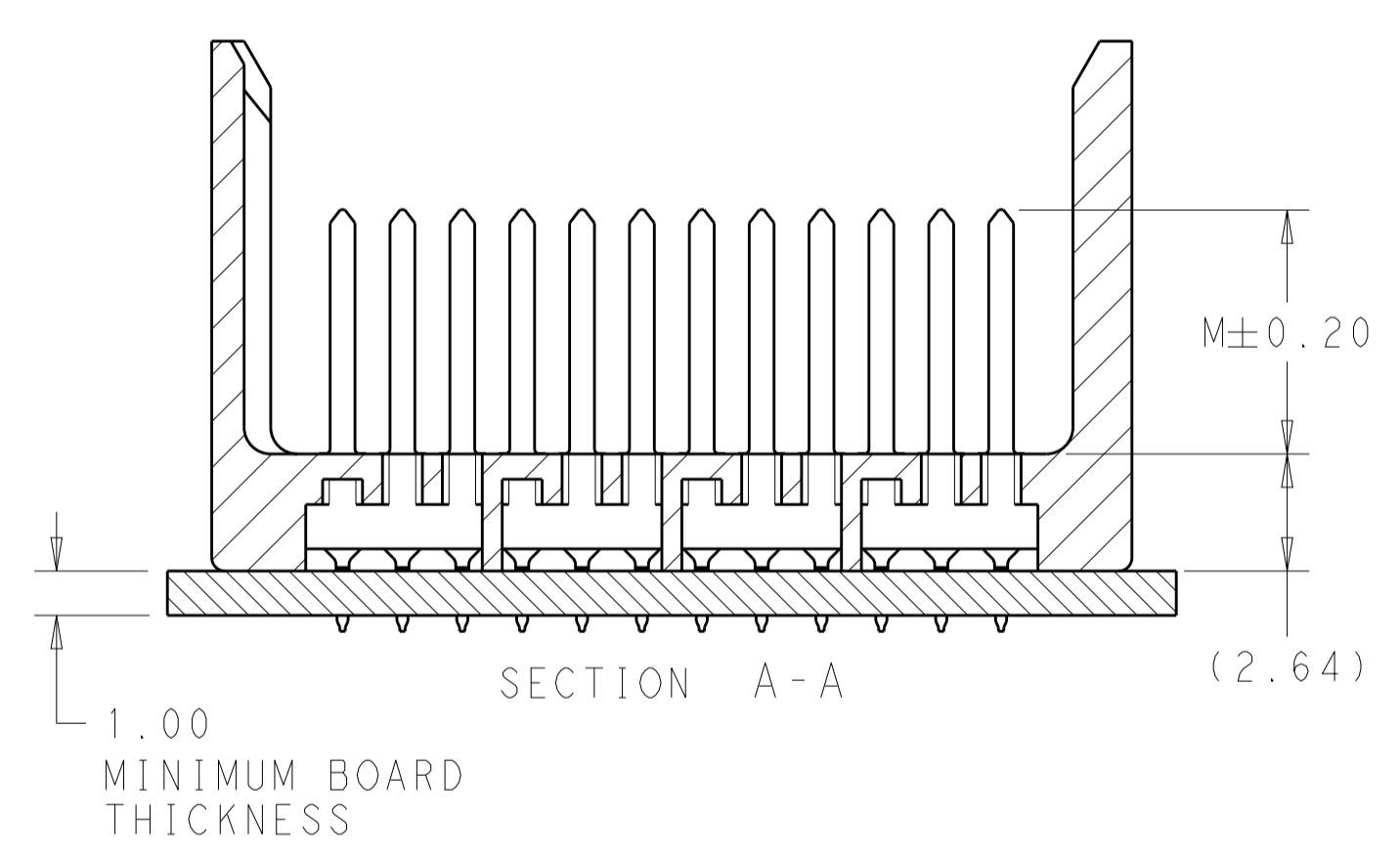
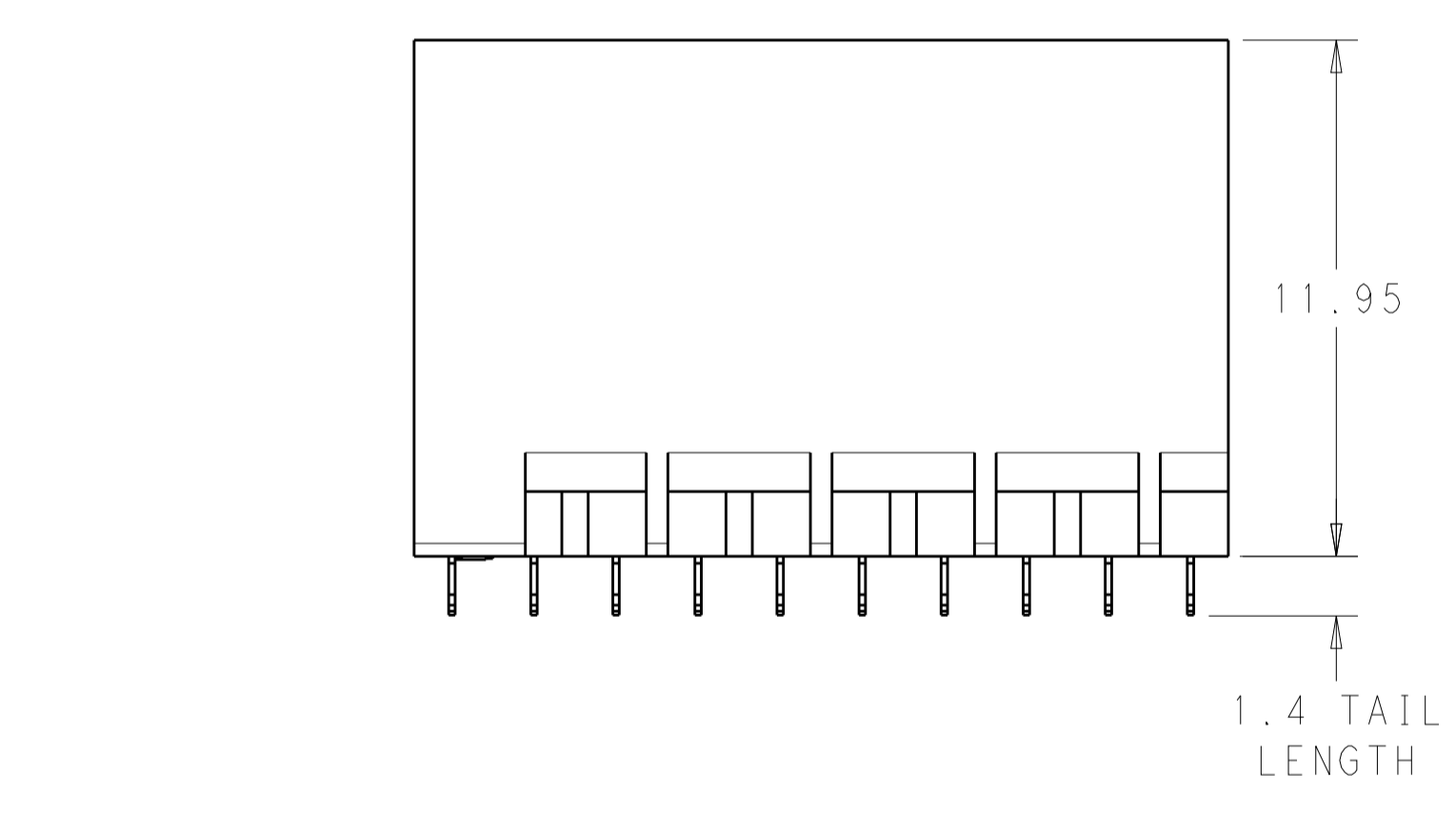
LOC	DIST	REVISIONS			
P	LTN	DESCRIPTION	DATE	DMN	APVD
B2		REVISED PER ECR-17-007294	19MAY2017	A. S.	S. Y.



NOTCH DESIGNATES ROW A



- 1 MATERIAL:
HOUSING: LCP, GLASS FILLED, UL94V-0.
TERMINALS: HIGH PERFORMANCE COPPER ALLOY.
- 2 FINISH:
30μ" MIN GOLD IN CONTACT AREA. SELECTIVE TIN ON PCB TAILS, NICKEL OVERALL.
- 3 FINISH:
30μ" MIN GOLD IN CONTACT AREA. SELECTIVE TIN-LEAD ON PCB TAILS, NICKEL OVERALL.



3	5.5	2007820-6
3	4.9	2007820-5
3	4.5	2007820-4
2	5.5	2007820-3
2	4.9	2007820-2
2	4.5	2007820-1
FINISH	DIM M	PART NUMBER

REFER TO WWW.TE.COM FOR PRODUCT AVAILABILITY

THIS DRAWING IS A CONTROLLED DOCUMENT.		DMN J. K. SHOBER 13JAN2011	
DIMENSIONS: mm		CHK J. EARY 13JAN2011	
TOLERANCES UNLESS OTHERWISE SPECIFIED:		APVD J. EARY 13JAN2011	NAME
0 PLC ±	1 PLC ±0.25	PRODUCT SPEC	IMPACT, 4 PAIR, 10 COLUMN, HEADER
2 PLC ±0.13	3 PLC ±	APPLICATION SPEC	UNGUIDED, OPEN END WALL
4 PLC ±	ANGLES ±	WEIGHT	SIGNAL MODULE, 0.39 PTH
MATERIAL	FINISH SEE TABLE	SIZE CAGE CODE DRAWING NO	RESTRICTED TO
		A100779C=2007820	
CUSTOMER DRAWING		SCALE 6:1	SHEET 1 OF 1 REV B2