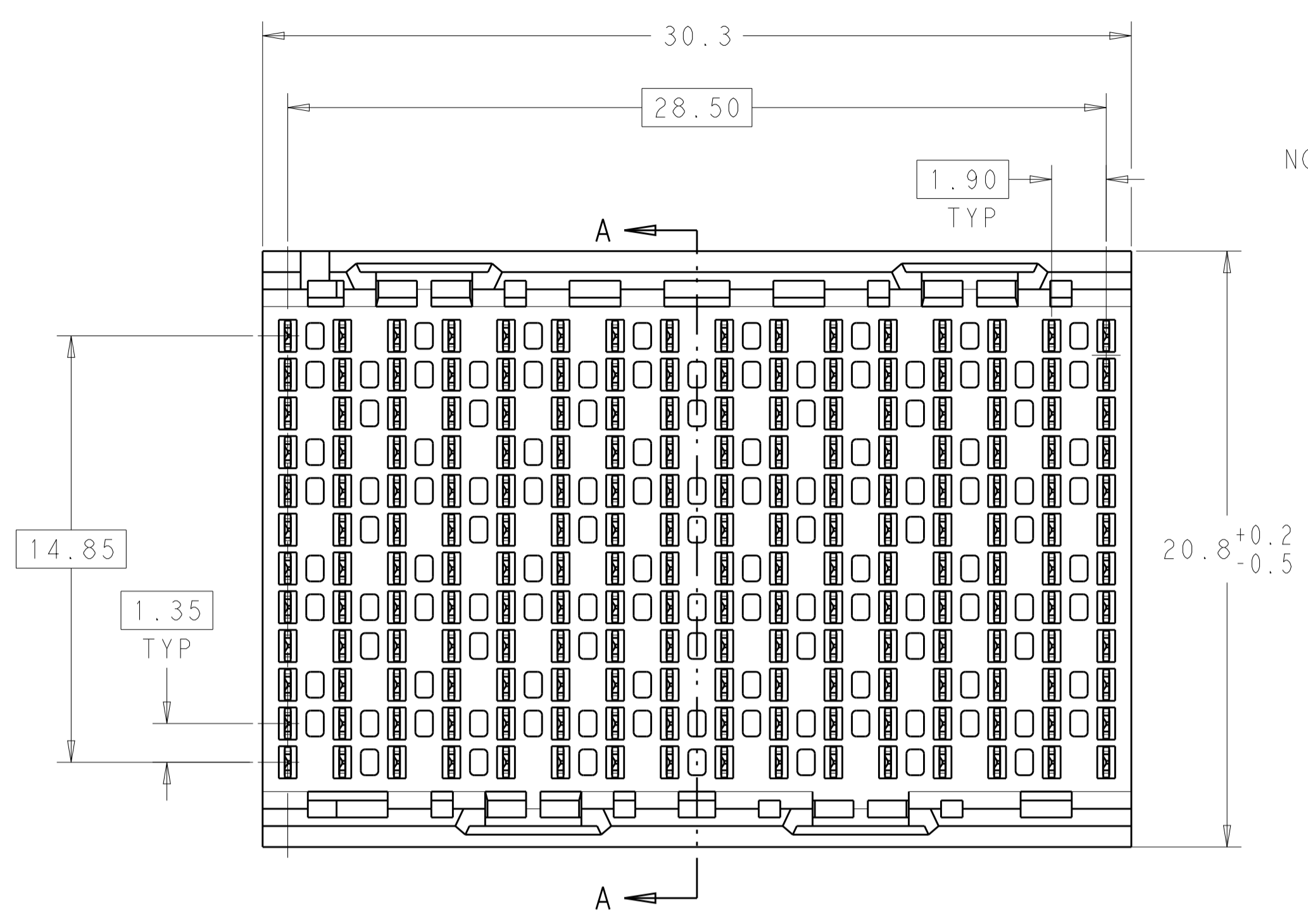
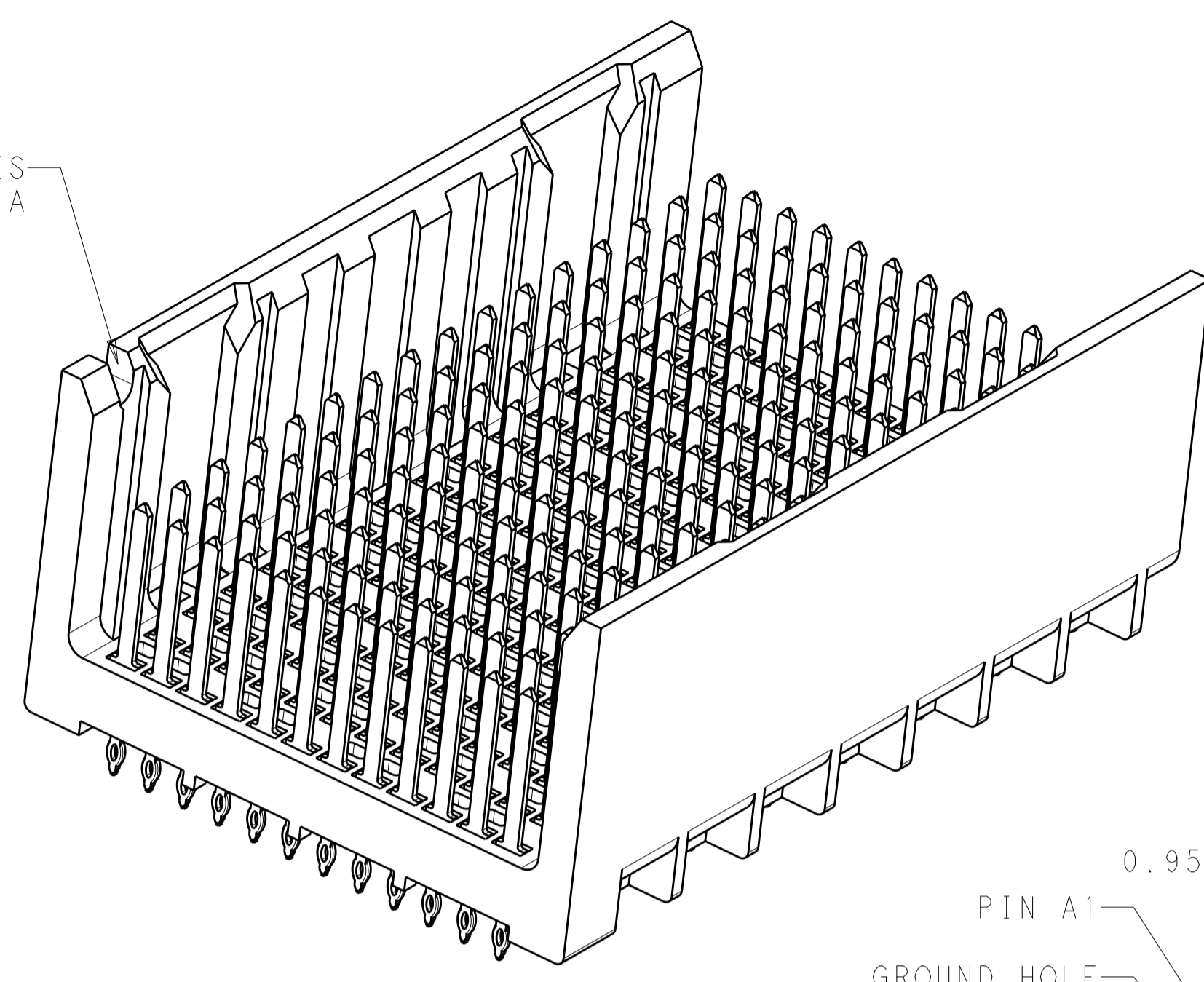


LOC	DIST	REVISIONS			
P	LTN	DESCRIPTION	DATE	DWN	APVD
A		REVISED PER ECO-15-001494	05FEB2015	AP	DD

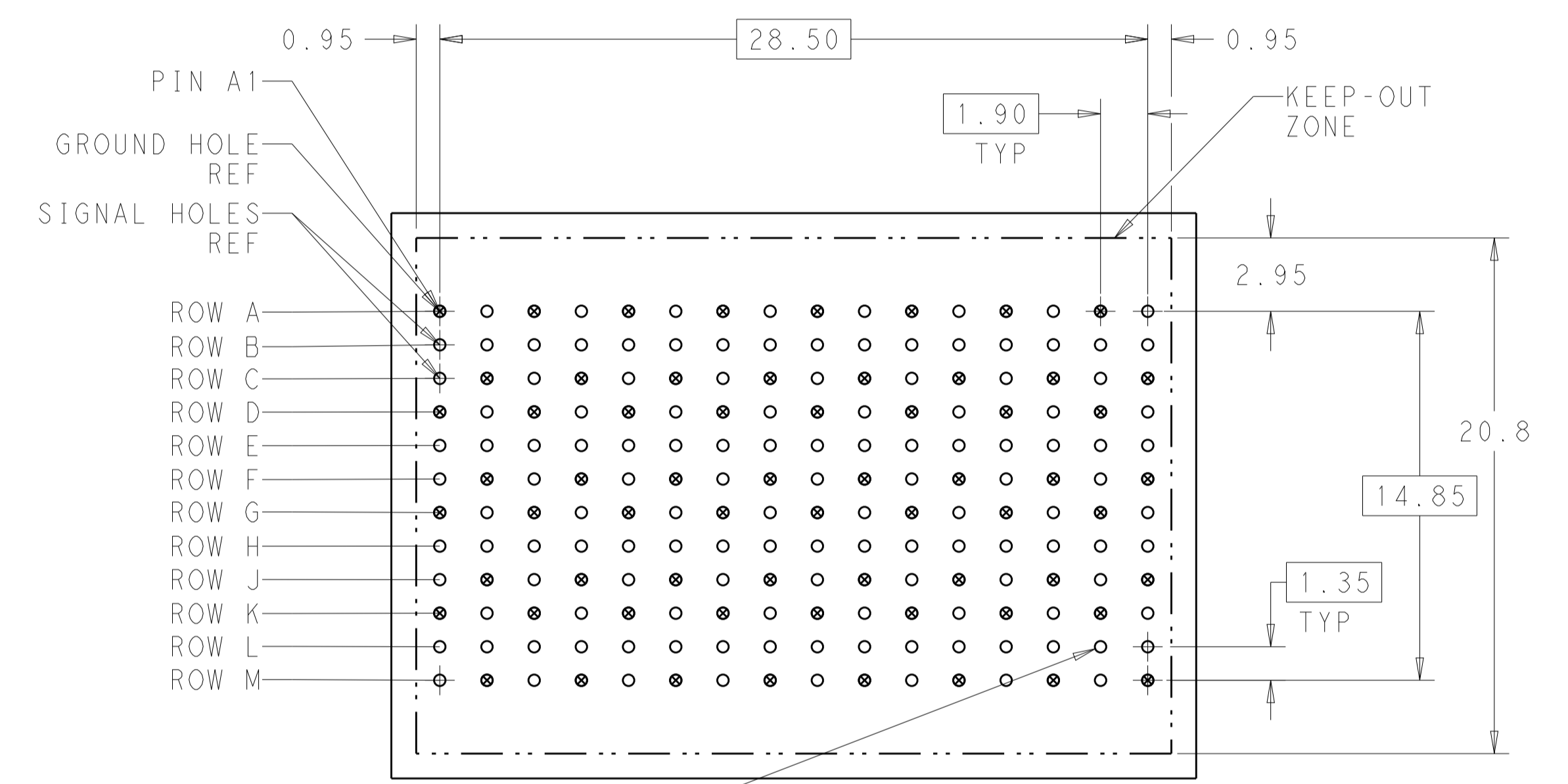


NOTCH DESIGNATES ROW A



⚠ MATERIAL:
HOUSING: LCP, GLASS FILLED, UL94V-0.
TERMINALS: HIGH PERFORMANCE COPPER ALLOY.

⚠ FINISH:
30μ" MIN GOLD IN CONTACT AREA. SELECTIVE TIN ON PCB TAILS, NICKEL OVERALL.

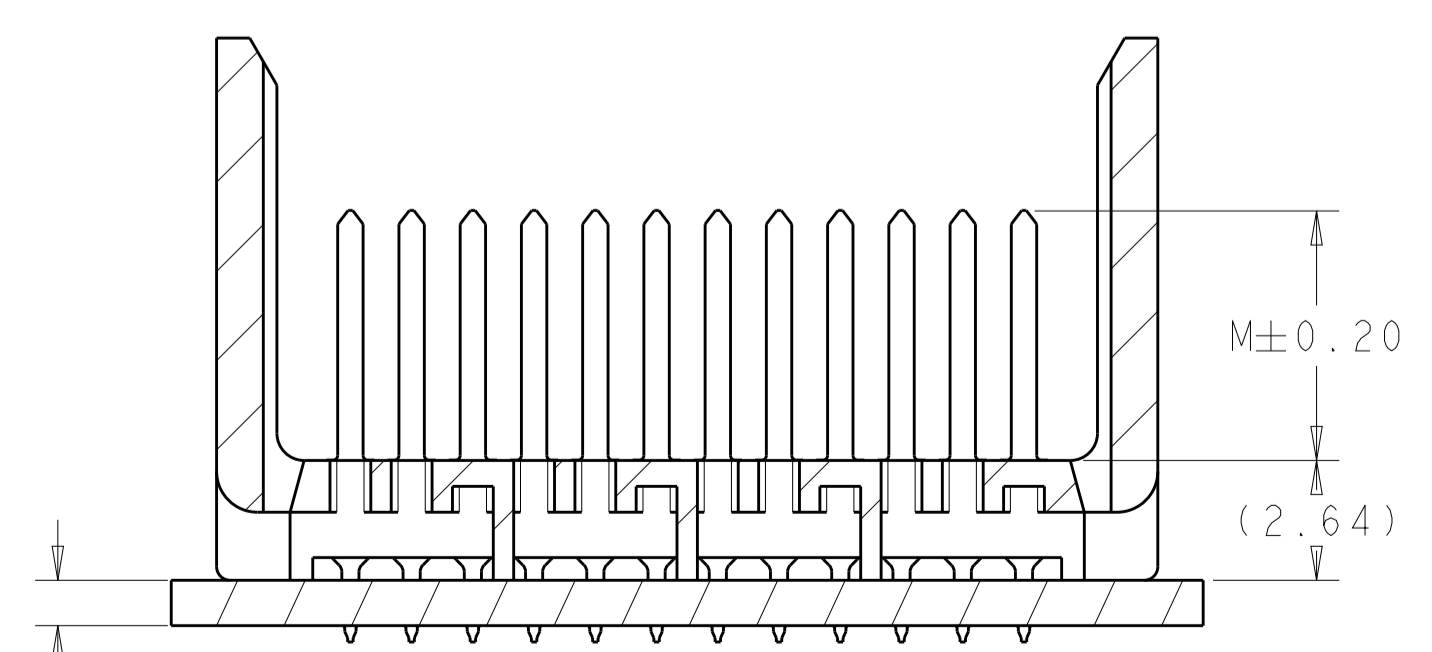
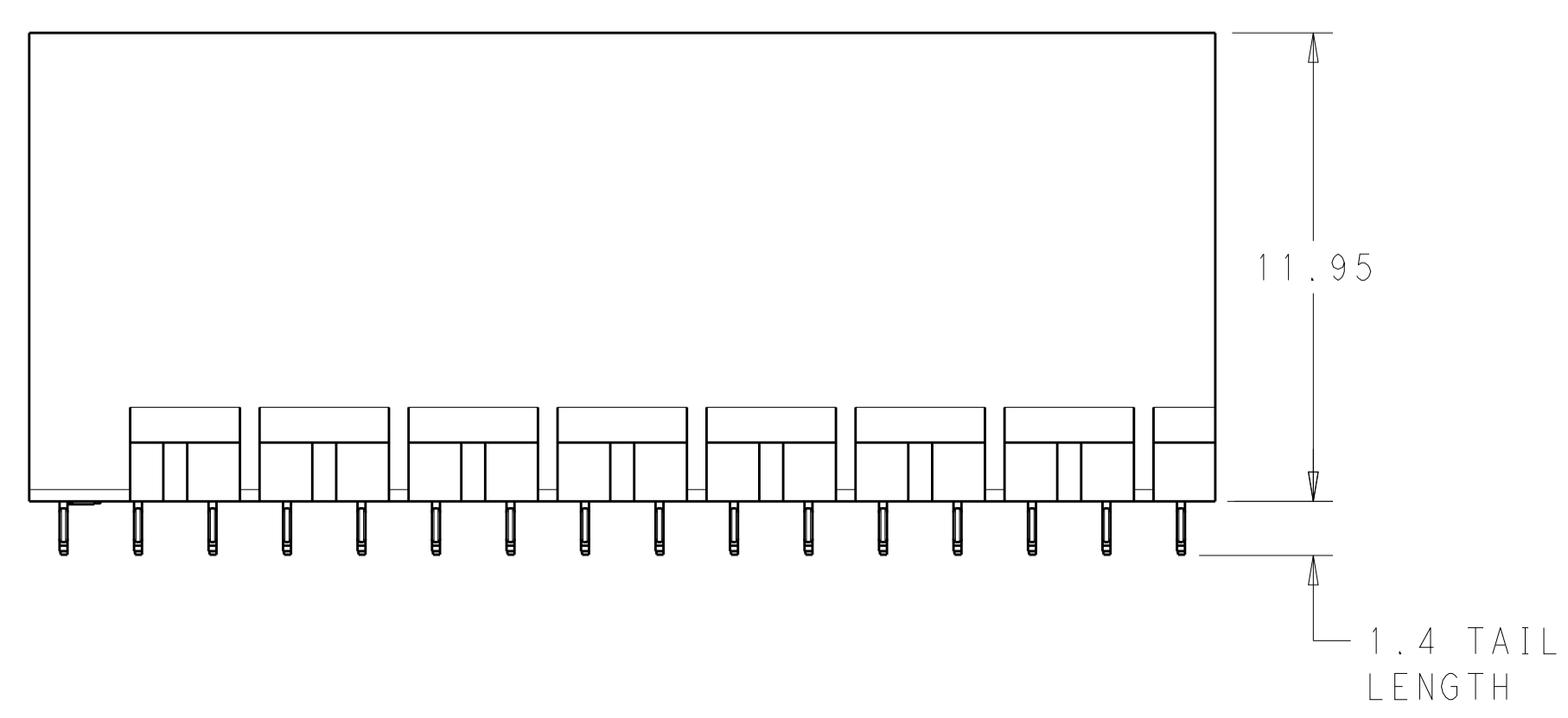


192X $\varnothing 0.46 \pm 0.05$ PLATED THRU HOLE

192X $\varnothing 0.55 \pm 0.013$ DRILL HOLE

$\varnothing 0.10$

UNGUIDED BACKPLANE HOLE PATTERN (CONNECTOR SIDE)



SECTION A-A

THIS DRAWING IS A CONTROLLED DOCUMENT.		DWN: KIRAN HOLAL 09JAN2013	TE Connectivity
DIMENSIONS: mm		CHK: D. DIXON 09JAN2013	
TOLERANCES UNLESS OTHERWISE SPECIFIED:		APVD: D. DIXON 09JAN2013	NAME: IMPACT, 4 PAIR, 16 COLUMN, HEADER
0 PLC	±	PRODUCT SPEC	UNGUIDED, OPEN END WALL
1 PLC	±0.25	APPLICATION SPEC	SIGNAL MODULE, 0.46 PTH
2 PLC	±0.13	SIZE: CAGE CODE DRAWING NO	RESTRICTED TO
3 PLC	±	WEIGHT	A100779C=2007832
4 PLC	±	Customer Drawing	SCALE: 6:1 SHEET 1 OF 2 REV A
ANGLES	±		
MATERIAL	FINISH: SEE TABLE		

8

7

6

5

4

3

2

1

THIS DRAWING IS UNPUBLISHED.	RELEASED FOR PUBLICATION	20
© COPYRIGHT 20	BY -	ALL RIGHTS RESERVED.

LOC	DIST	REVISIONS					
		P	LTN	DESCRIPTION	DATE	DWN	APVD
AD	00	-	-	SEE SHEET 1	-	-	-

	DIM M	PART NUMBER
	5.5	2007832-3
	4.9	2007832-2
	4.5	2007832-1
FINISH	DIM M	PART NUMBER

REFER TO WWW.TE.COM
FOR PRODUCT AVAILABILITY

THIS DRAWING IS A CONTROLLED DOCUMENT.		DWN KIRAN HOLHL 09JAN2013	
		CHK D.DIXON 09JAN2013	
DIMENSIONS:		APVD D.DIXON 09JAN2013	NAME
mm	TOLERANCES UNLESS OTHERWISE SPECIFIED:	PRODUCT SPEC	IMPACT, 4 PAIR, 16 COLUMN, HEADER
	0 PLC ±	APPLICATION SPEC	UNGUIDED, OPEN END WALL
	1 PLC ±0.25		SIGNAL MODULE, 0.46 PTH
	2 PLC ±0.13		RESTRICTED TO
	3 PLC ±		SIZE CAGE CODE DRAWING NO
	4 PLC ±		A100779C=2007832
	ANGLES ±	WEIGHT	-
MATERIAL	FINISH SEE TABLE	Customer Drawing	SCALE 5:1 SHEET 2 OF 2 REV A