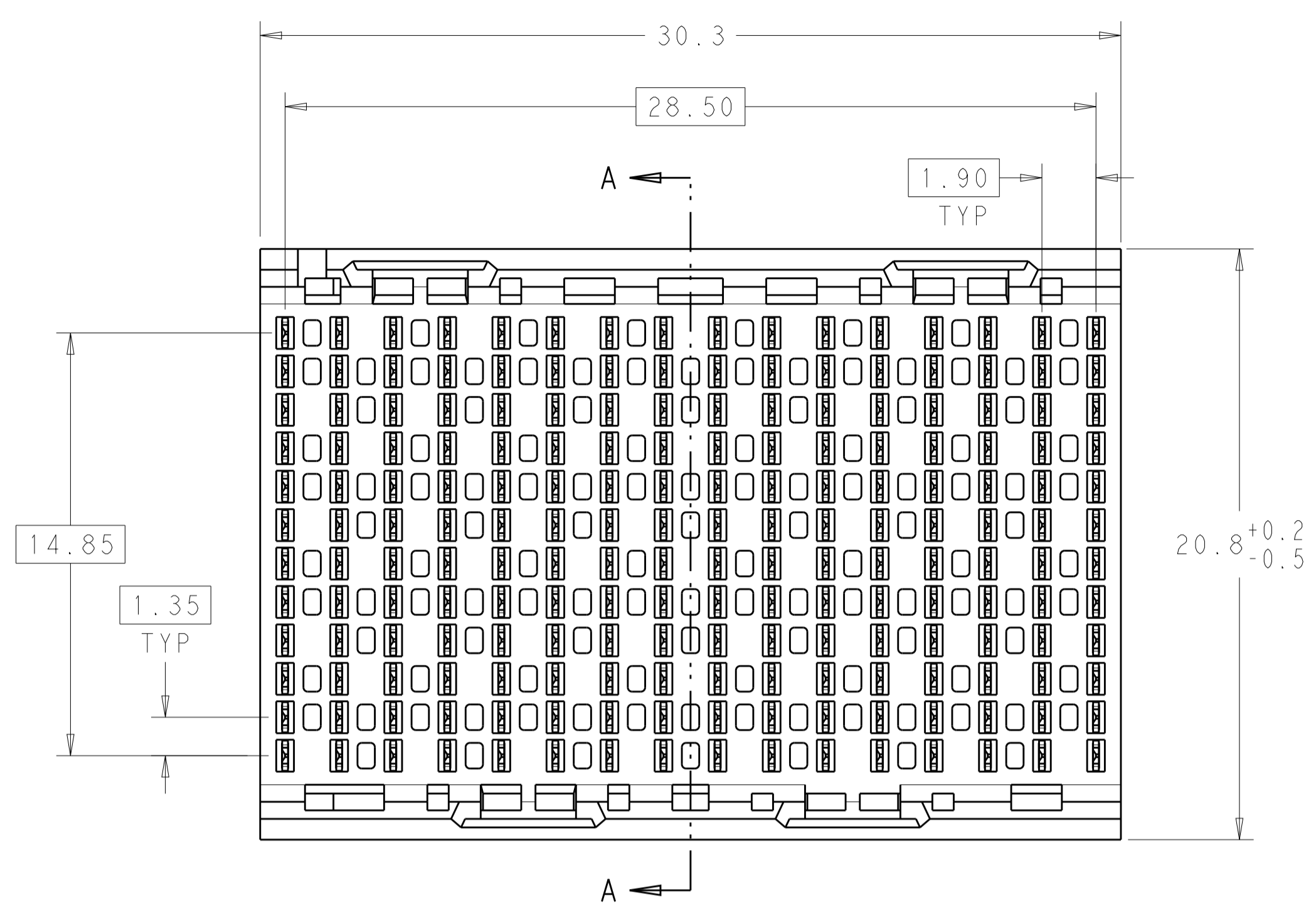
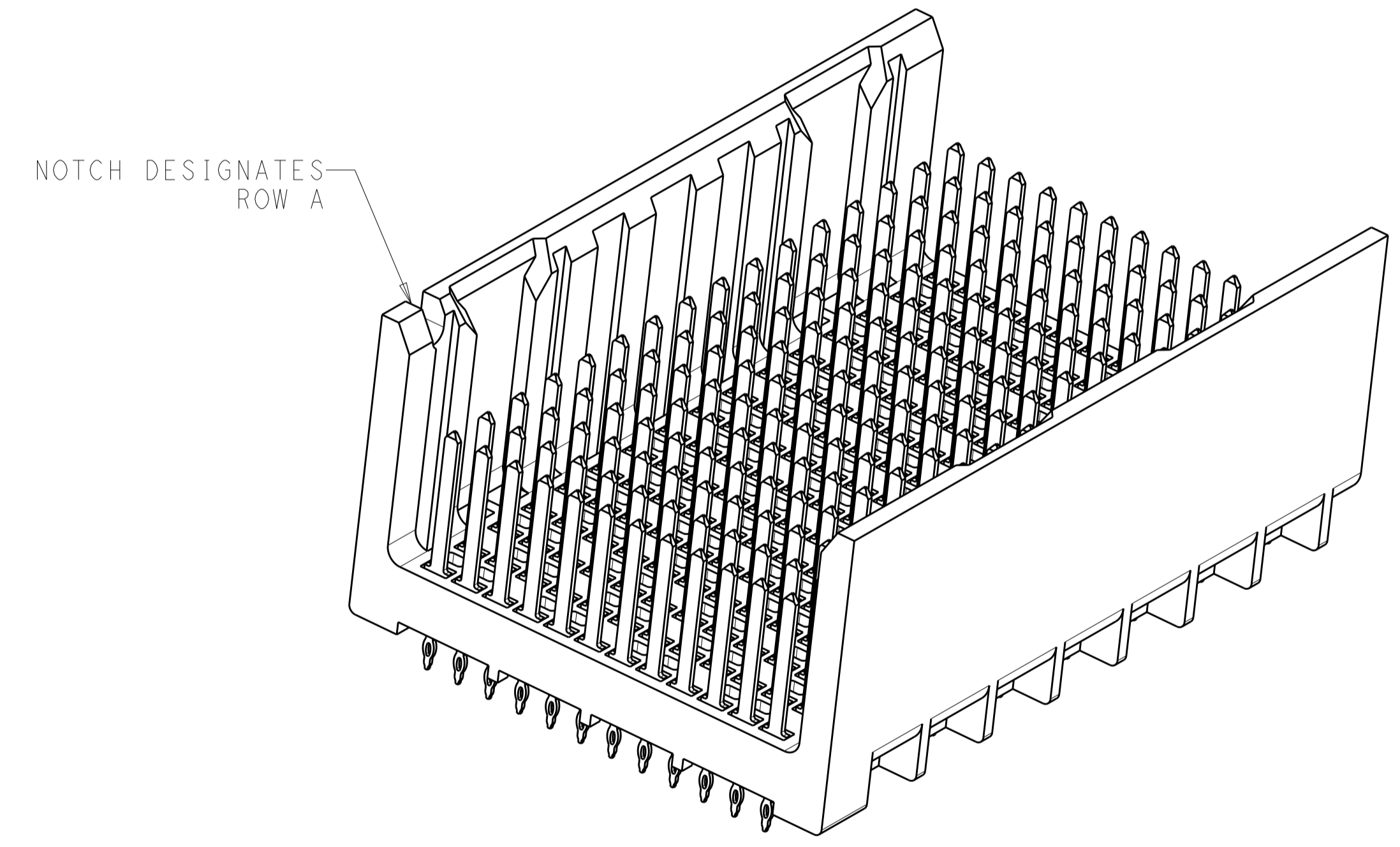
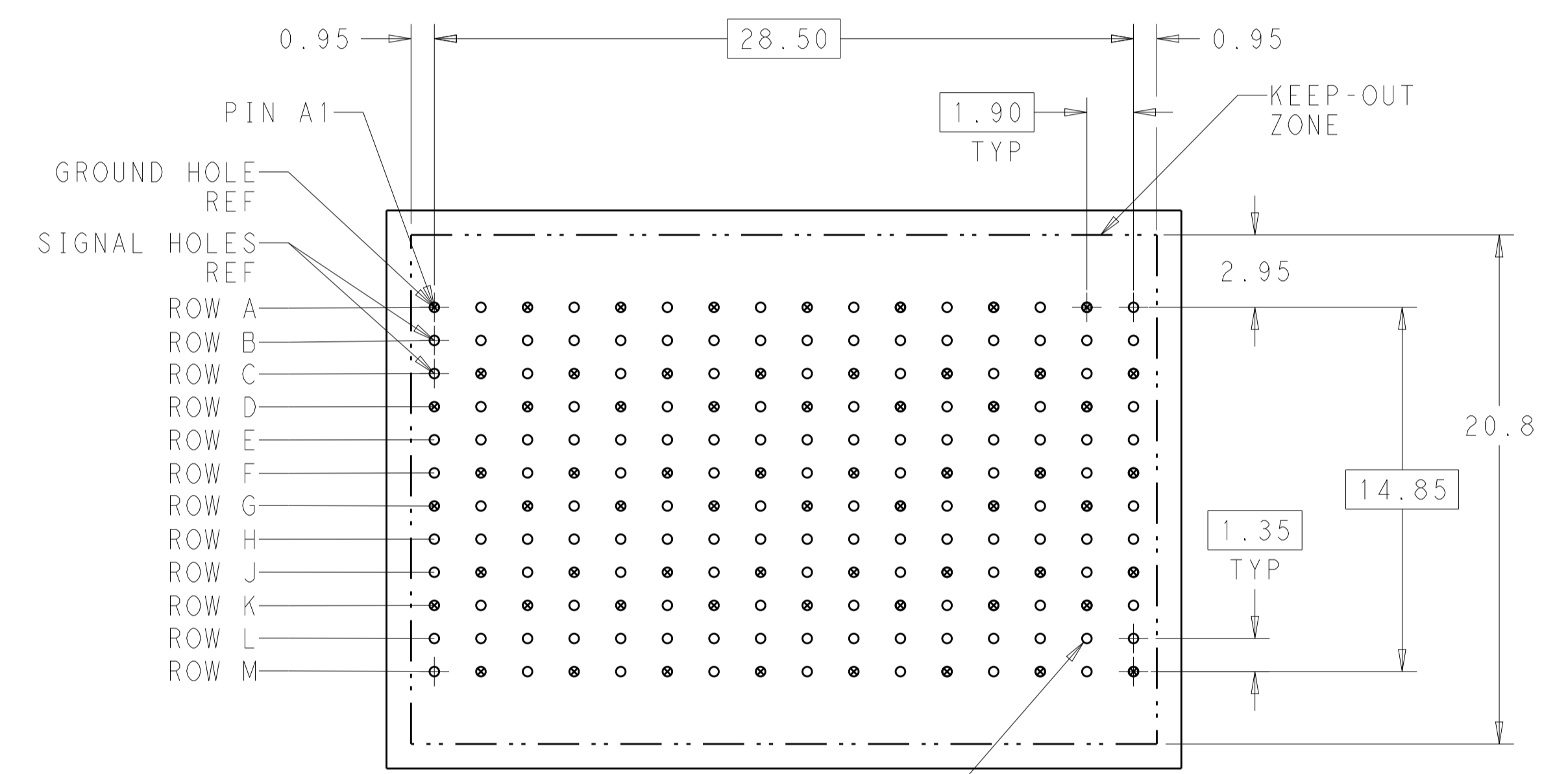


LOC		DIST		REVISIONS			
AD	00	P	LTN	DESCRIPTION	DATE	DWN	APVD
		B1		REVISED PER ECO-15-001494	05FEB2015	AP	DD



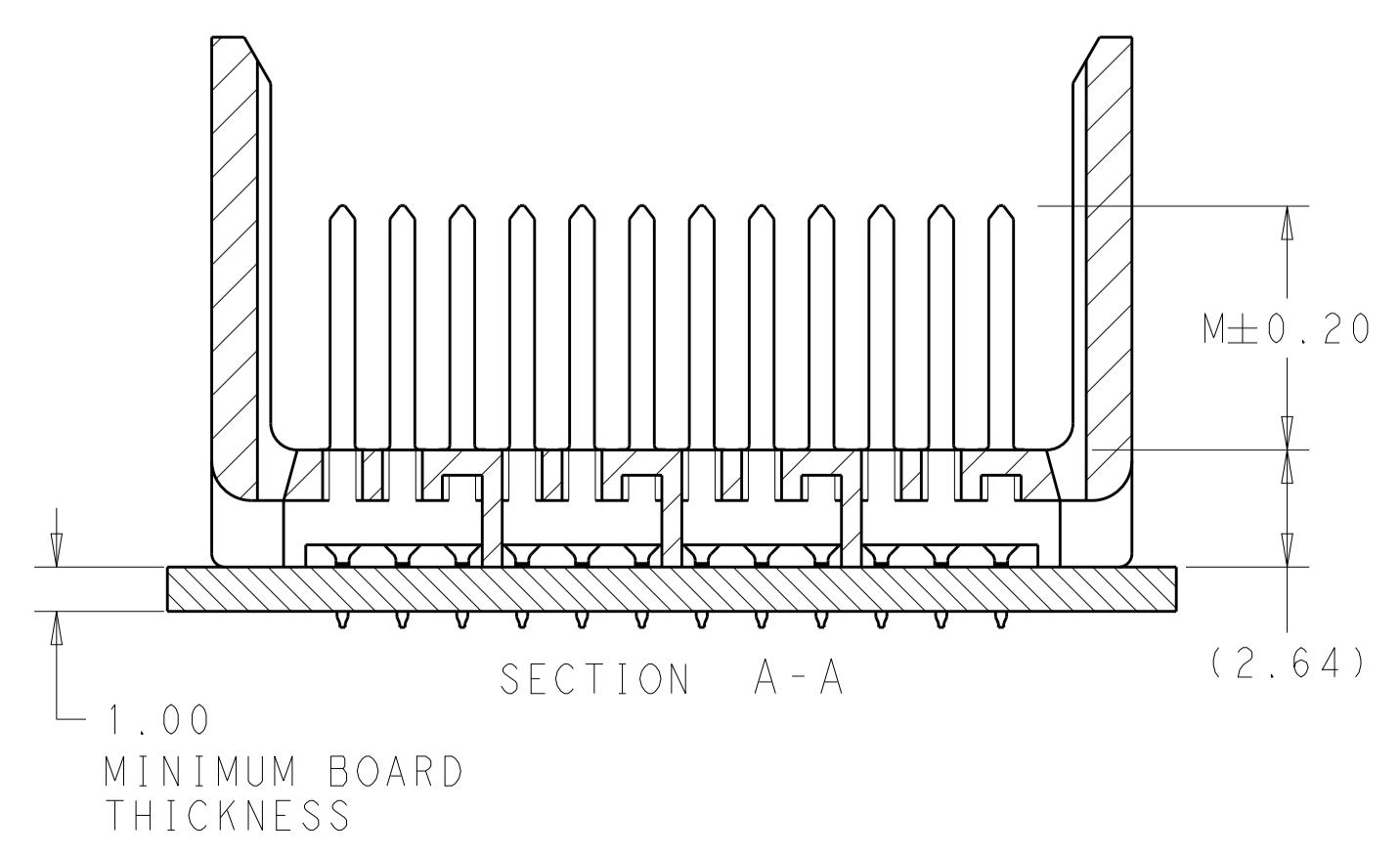
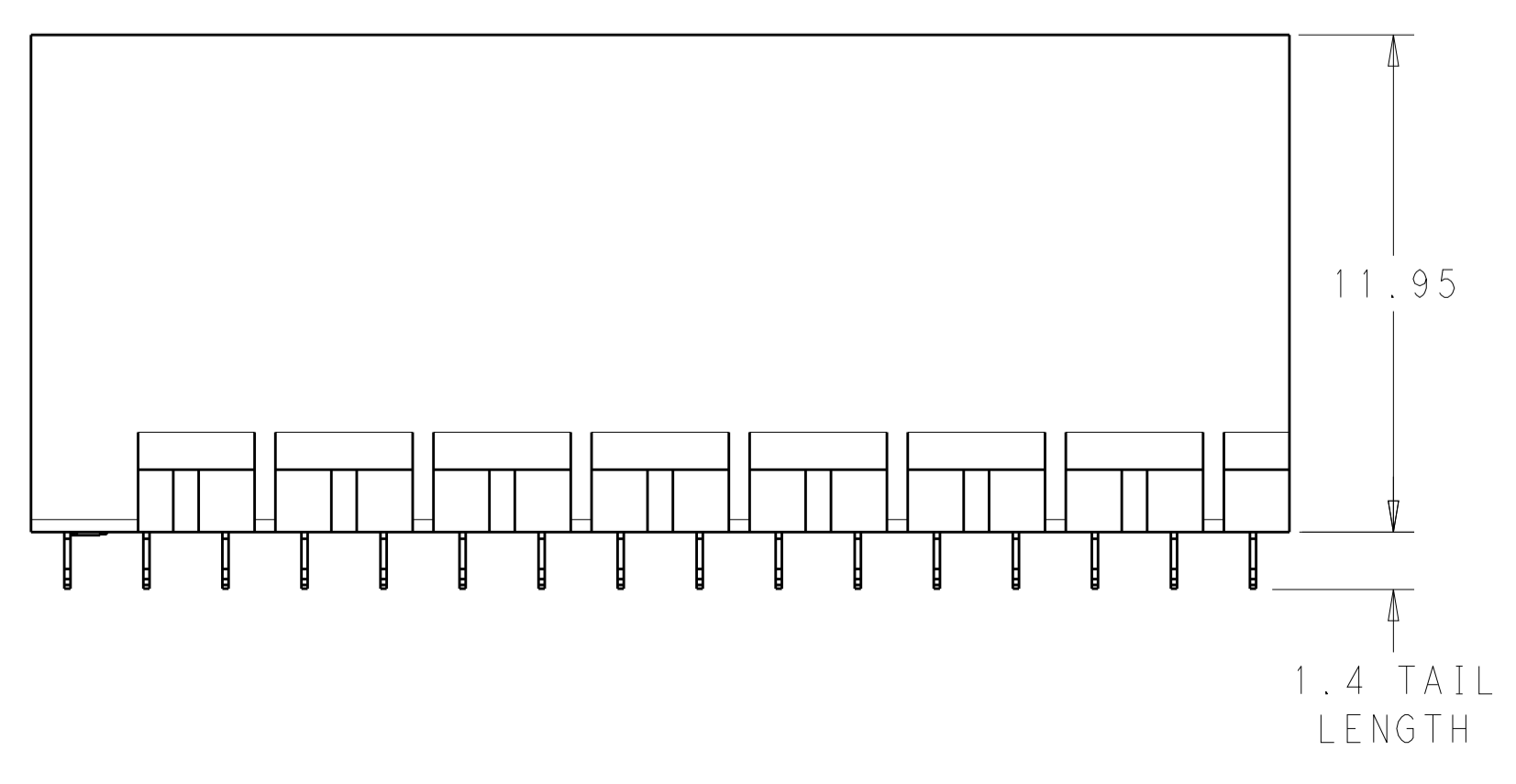
⚠ MATERIAL:
HOUSING: LCP, GLASS FILLED, UL94V-0.
TERMINALS: HIGH PERFORMANCE COPPER ALLOY.

⚠ FINISH:
30μ" MIN GOLD IN CONTACT AREA. SELECTIVE TIN ON PCB TAILS, NICKEL OVERALL.



192X Ø0.39±0.05
⊕ Ø0.10
PLATED THRU HOLE

UNGUIDED BACKPLANE HOLE PATTERN (CONNECTOR SIDE)



THIS DRAWING IS A CONTROLLED DOCUMENT.		DWN: J. K. SHOBER 13JAN2011	TE Connectivity
DIMENSIONS: mm		CHK: J. EARY 13JAN2011	
TOLERANCES UNLESS OTHERWISE SPECIFIED:		APVD: J. EARY 13JAN2011	NAME: IMPACT, 4 PAIR, 16 COLUMN, HEADER PRODUCT SPEC: UNGUIDED, OPEN END WALL APPLICATION SPEC: SIGNAL MODULE, 0.39 PTH
0 PLC ±		SIZE: A1	
1 PLC ±0.25		CAGE CODE: 2007836	RESTRICTED TO: - SCALE: 6:1 SHEET 1 OF 2 REV: B1
2 PLC ±0.13		CUSTOMER DRAWING	
3 PLC ±			
4 PLC ±			
ANGLES ±			
FINISH: SEE TABLE			

THIS DRAWING IS UNPUBLISHED.	RELEASED FOR PUBLICATION	20
© COPYRIGHT 20	ALL RIGHTS RESERVED.	

LOC	DIST	REVISIONS					
		P	LTN	DESCRIPTION	DATE	DMN	APVD
AD	00	-	-	SEE SHEET 1	-	-	-

	5.5	2007836-3
	4.9	2007836-2
	4.5	2007836-1
FINISH	DIM M	PART NUMBER

REFER TO WWW.TE.COM
FOR PRODUCT AVAILABILITY

THIS DRAWING IS A CONTROLLED DOCUMENT.		DMN	J. K. SHOBER	13JAN2011				
		CHK	J. EARY	13JAN2011				
DIMENSIONS:		APVD	J. EARY	13JAN2011	NAME IMPACT, 4 PAIR, 16 COLUMN, HEADER UNGUIDED, OPEN END WALL SIGNAL MODULE, 0.39 PTH			
mm		PRODUCT SPEC						
TOLERANCES UNLESS OTHERWISE SPECIFIED:		APPLICATION SPEC			SIZE	CAGE CODE	DRAWING NO	RESTRICTED TO
0 PLC ±					A1	00779	C=2007836	
1 PLC ±0.25					SCALE		SHEET	OF
2 PLC ±0.13					5:1		2	2
3 PLC ±					REV		B	1
4 PLC ±					CUSTOMER DRAWING			
ANGLES								
FINISH								
SEE TABLE								